

# Spare Part List

## AquaMax 2330E, 2335E Pressure Washer

---

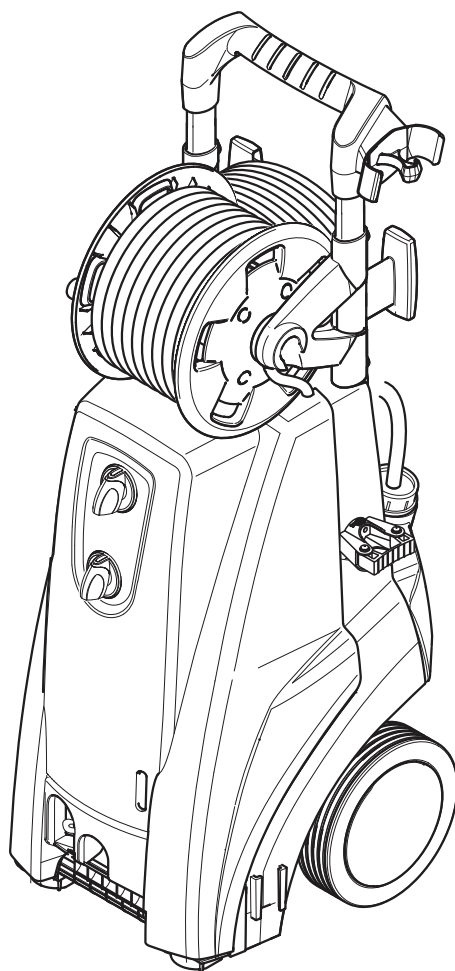


GRACO

3A1693A

Eng

-For high pressure water cleaning-



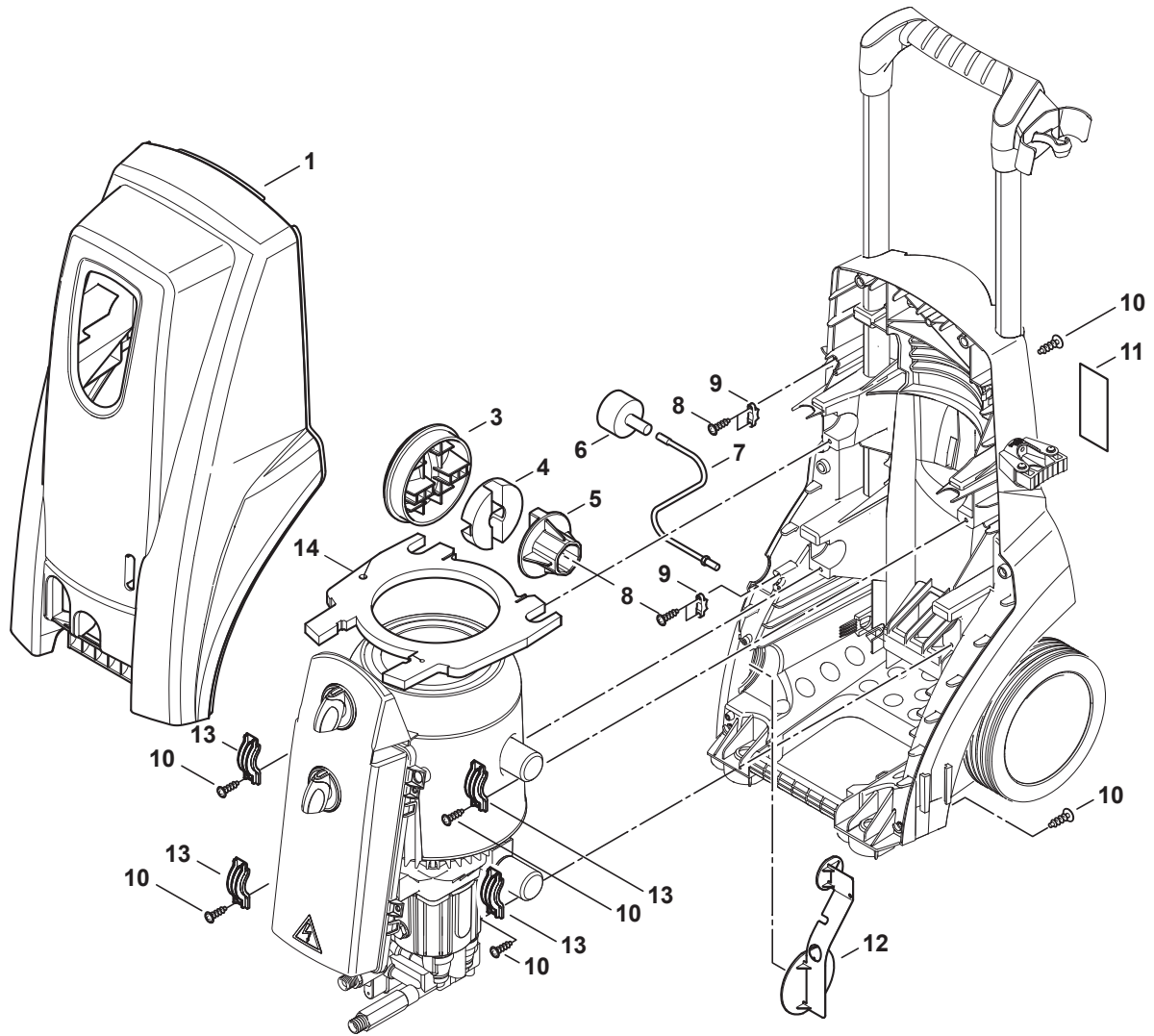
PROVEN QUALITY. LEADING TECHNOLOGY.

# Table of Contents

## AquaMax 2330 E and 2335 E

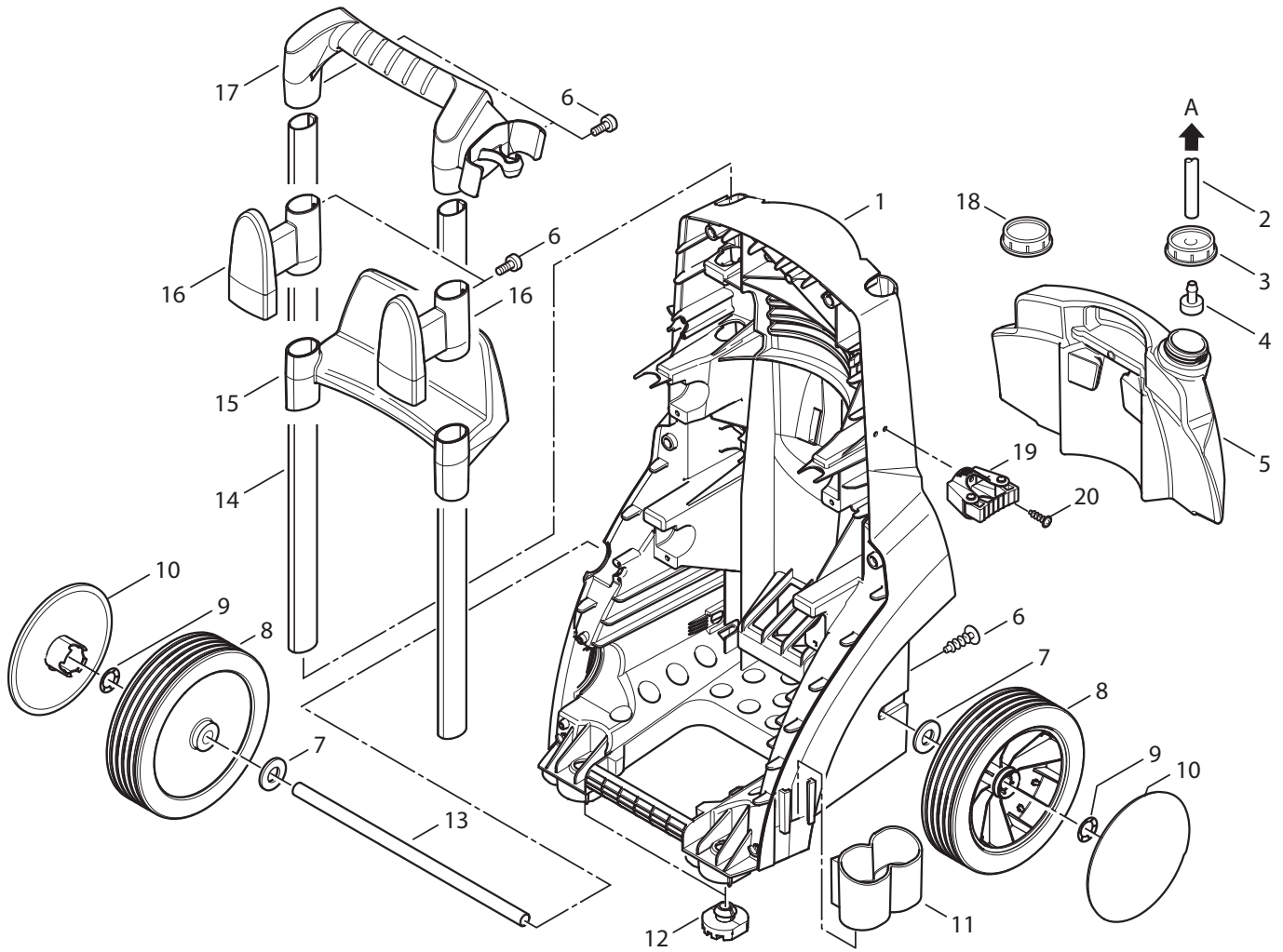
Cabinet .....	3
Frame .....	4
Motor .....	5
Motor suspension .....	6
Pump .....	7
Electric box .....	10
Hose reel .....	12
Spray handle for 2330 E .....	13
VP Spray handle for 2335 E .....	14
Short rotary Lance .....	15
Adjustable Lance .....	16
Double Lance .....	17
RECOMMENDED SPARE PARTS.....	18

# Cabinet



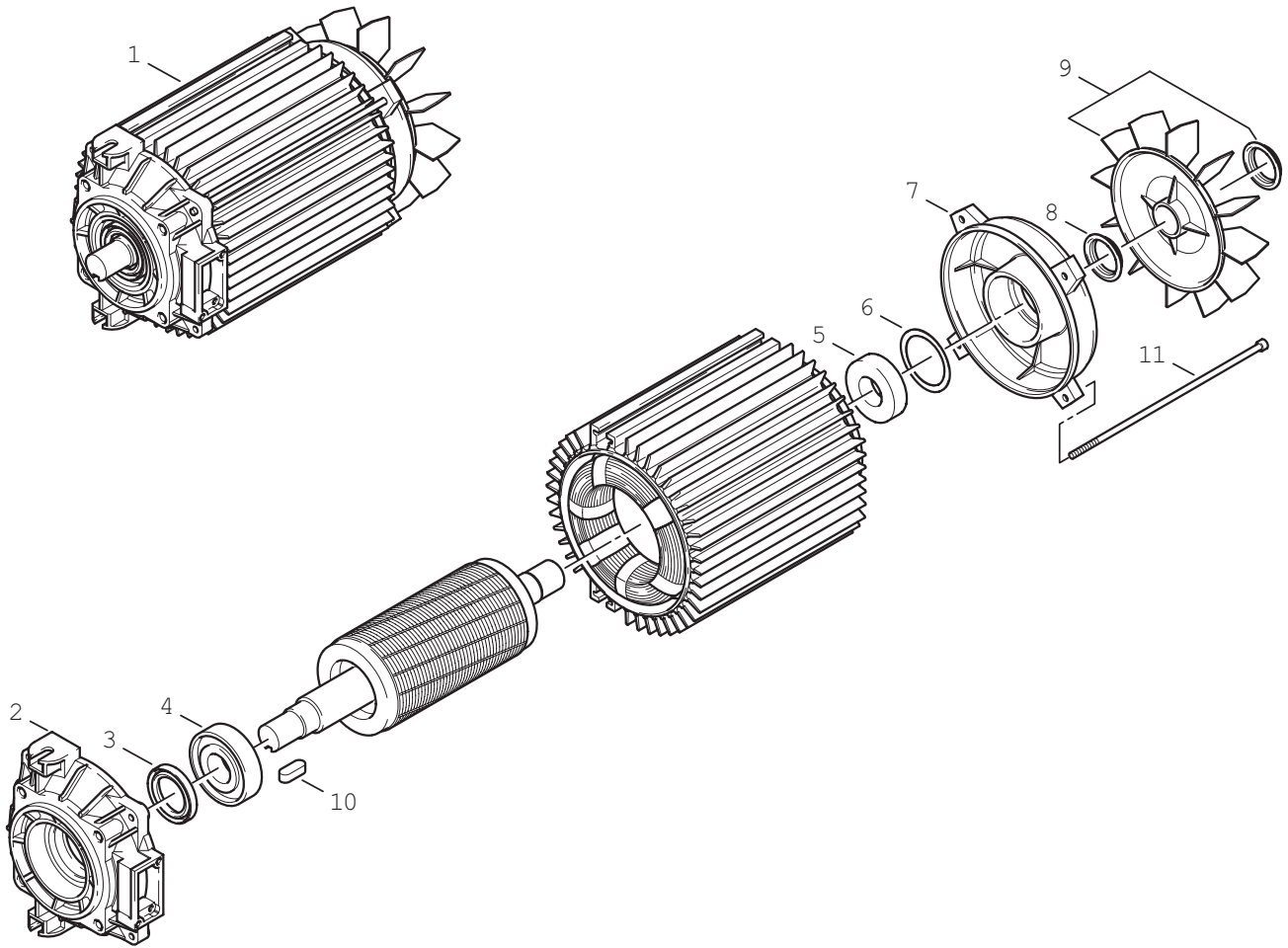
Pos.	No.	Description	Comment	AquaMax 2330	AquaMax 2335
1	16J396	CABINET 2330		1	
1	16J585	CABINET 2335			1
3	16J082	PRESSURE REGULATION KNOP		1	1
4	16J087	SLIDING PLATE		1	1
5	16J300	COUPLING		1	1
6	16J083	MANOMETER 0-315 BAR WHITE		1	1
7	16J302	COPPER TUBE CPL.		1	1
8	16J392	SCREW K30X16 T12 WN5452		4	4
9	16J070	STRAIN RELIEF BRACKET 27.		1	1
10	16J062	PT-SCREW K50X16 WN1451 - FZB		14	14
11	16J037	LABEL 40X60 G		1	1
12	16J306	COVERPLATE		1	1
13	16J275	BRACKET FOR MPU SUSPENSION 25X66		4	4
14	16J362	HEAT INSULATION PLATE		1	1

# Frame



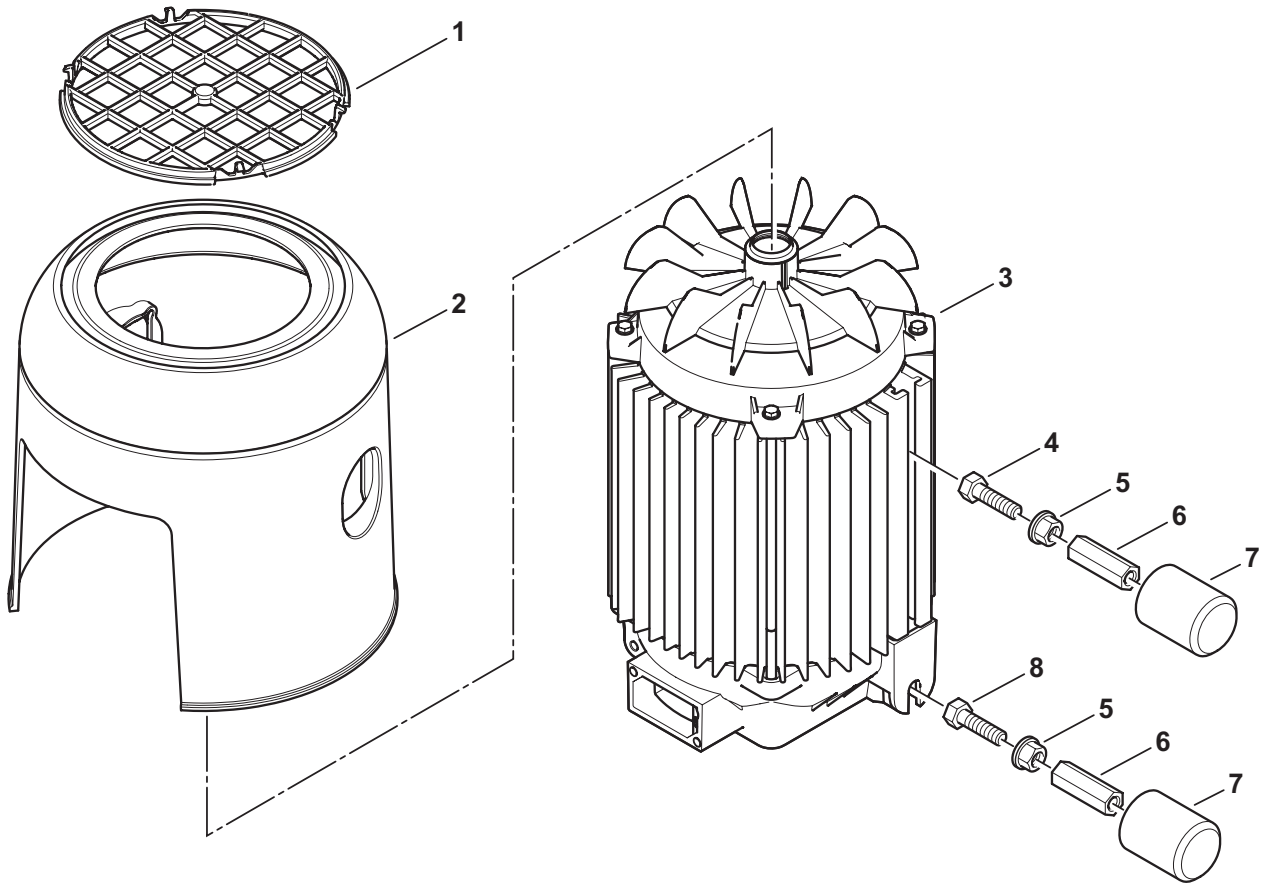
Pos.	No.	Description	Comment	AquaMax 2330	AquaMax 2335
1	16J293	BASE FRAME		1	1
2	16J075	HOSE 6/10		1	1
3	16J243	CLOSING CAP W.HOLE Ø65X22		1	1
4	16J079	FILTER		1	1
5	16J297	CHEMICAL TANK		1	1
6	16J390	SCREW M6X12 CE T30 DIN 7500 ST/ZN		4	4
7	16J391	WASHER 16 17X30X30 DIN 34815 PA		2	2
8	16J084	WHEEL		2	2
9	16J018	CLAMPING RING Ø 15		2	2
10	16J394	WHEEL CAP AQUAMAX 2330 - 2335 E		2	2
11	16J278	LANCE HOLDER BOTTOM DOUBLE		1	1
12	16J296	FOOT		2	2
13	16J280	AXLE 15X1.5		1	1
14	16J281	PROFIL 25X35		2	2
15	16J274	HOOK FOR HOSE		1	1
16	16J294	HOOK FOR HOSE FRONT		2	2
17	16J273	HANDLE		1	1
18	16J053	COVER-CAN 65X22		1	1
19	16J395	LANCE SNAP F. AQUAMAX 2330 - 2335 E		1	1
20	16J377	SCREW 4X12		2	2

# Motor



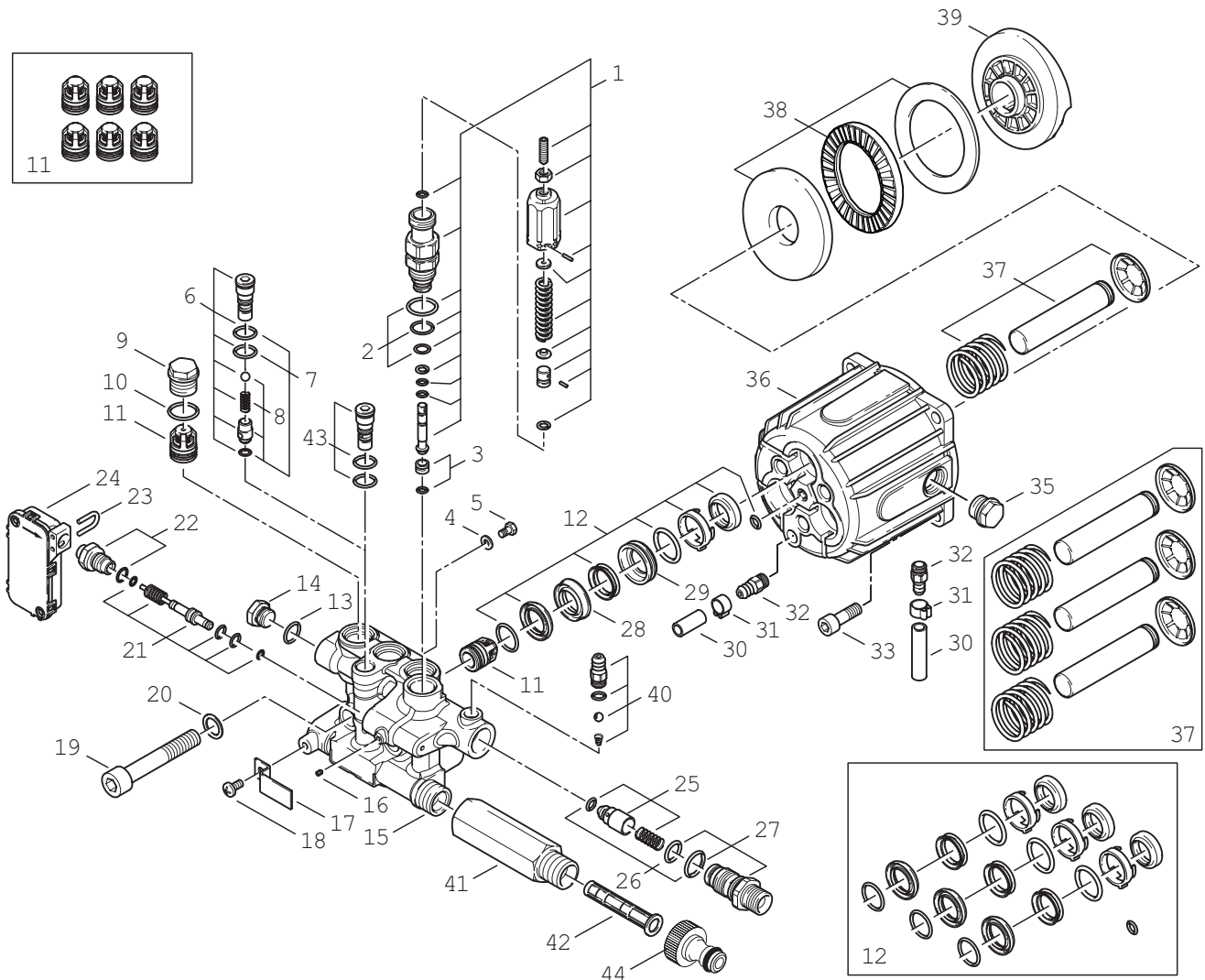
Pos.	No.	Description	Comment	AquaMax 2330	AquaMax 2335
1	16J352	MOTOR 230/1/50 3,2HP		1	
1	16J353	MOTOR 230-400/3/50 4,2HP			1
2	16J354	MOTOR FLANGE		1	1
3	16J355	OIL SEAL		1	1
4	16J356	BEARING 7305		1	1
5	16J357	BEARING 6205 ZZ		1	1
6	16J358	O RING DIA 52		1	1
7	16J359	BEARING COVER		1	1
8	16J141	SEAL V-RING		1	1
9	16J360	FAN		1	1
10	16J139	KEY 6 X 6 X 20 MM		1	1
11	16J361	SCREW M5X205		4	4
12	16J039	O-RING 94,92X2,62		1	1

## Motor suspension



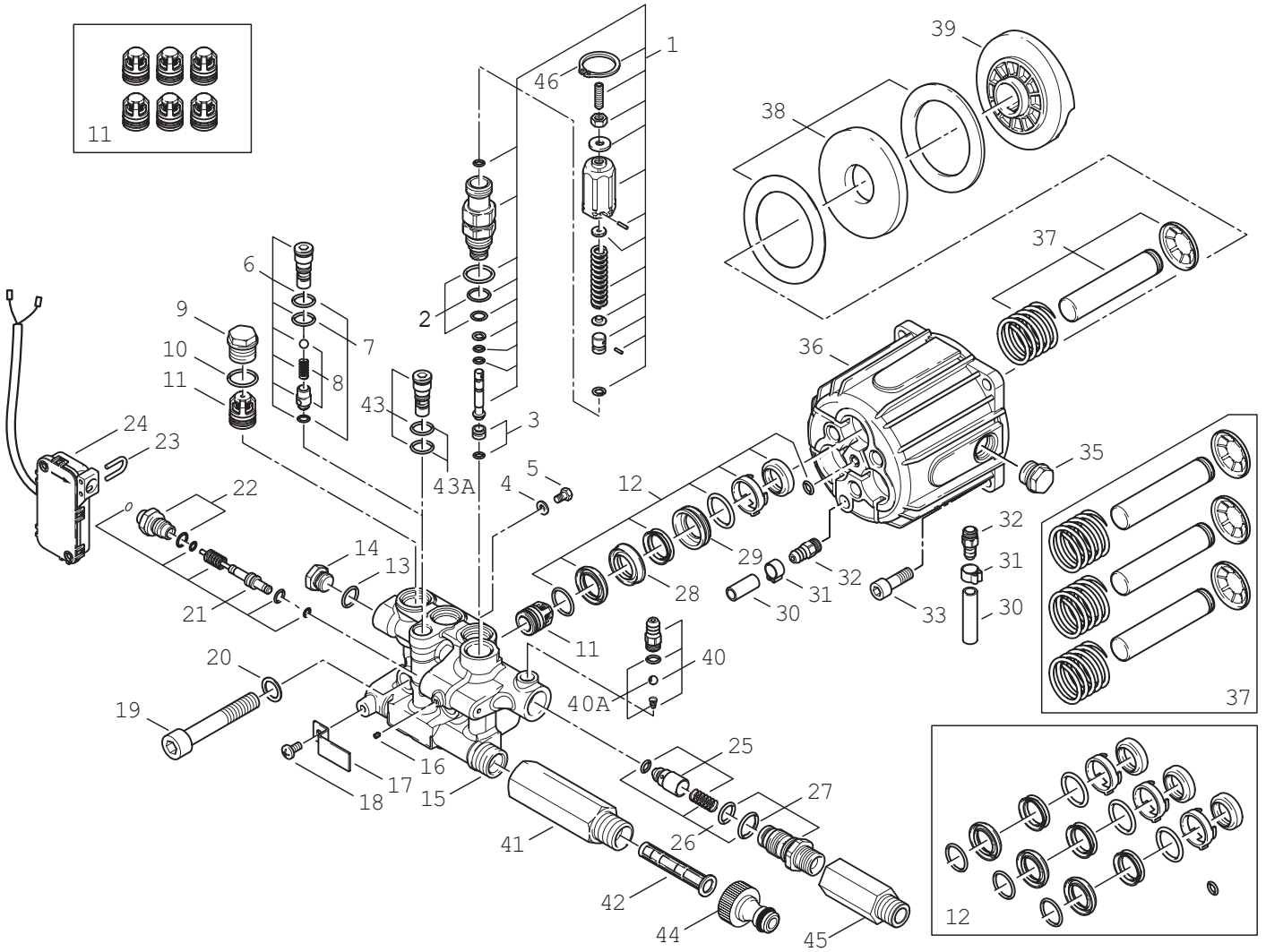
Pos.	No.	Description	Comment	AquaMax 2330	AquaMax 2335
1	16J303	GRID FANCAP		1	1
2	16J277	FAN CAP PP		1	1
3	16J352	MOTOR 230/1/50 3,2HP		1	
3	16J353	MOTOR 230-400/3/50 4,2HP			1
4	16J001	SCREW M8X20		2	2
5	16J040	HEXAGON NUT M8		4	4
6	16J279	SPACER		4	4
7	16J276	SUSPENSION		4	4
8	16J029	SCREW M8X20		2	2

# Pump



Pos.	No.	Description	Comment	AquaMax 2330	AquaMax 2335
-	16J387	PUMP OIL ROTHATH 1LTR	0,225 l	1	1
1	16J313	REGULATION SAFETY BLOCK		1	1
2	16J314	O-RING REGULATION SAFETY		1	1
3	16J315	VALVE SEAT KIT		1	1
4	16J316	O-RING 6,75X1,78		1	1
5	16J317	SCREW M6		1	1
6	16J318	EASY START KIT	1~	1	
7	16J319	O-RING EASY START KIT	1~	1	
8	16J320	SEAT EASY START KIT	1~	1	
9	16J321	PLUG Ø 15,6		3	3
10	16J322	O-RING Ø 15,6X1,78		3	3
11	16J208	COMPLETE VALVE 6 PCS.		1	1
12	16J323	PISTON GUIDE KIT		1	1
13	16J324	O-RING Ø 10,82X1,78		1	1
14	16J325	PLUG Ø 10,8		1	1
15	16J326	PUMP HEAD		1	1
16	16J327	SCREW M3X5		1	1
17	16J328	BRACKET		1	1
18	16J329	SCREW M5X10		1	1
19	16J330	SCREW M12X70		3	3
20	16J331	WASHER Ø 12		3	3

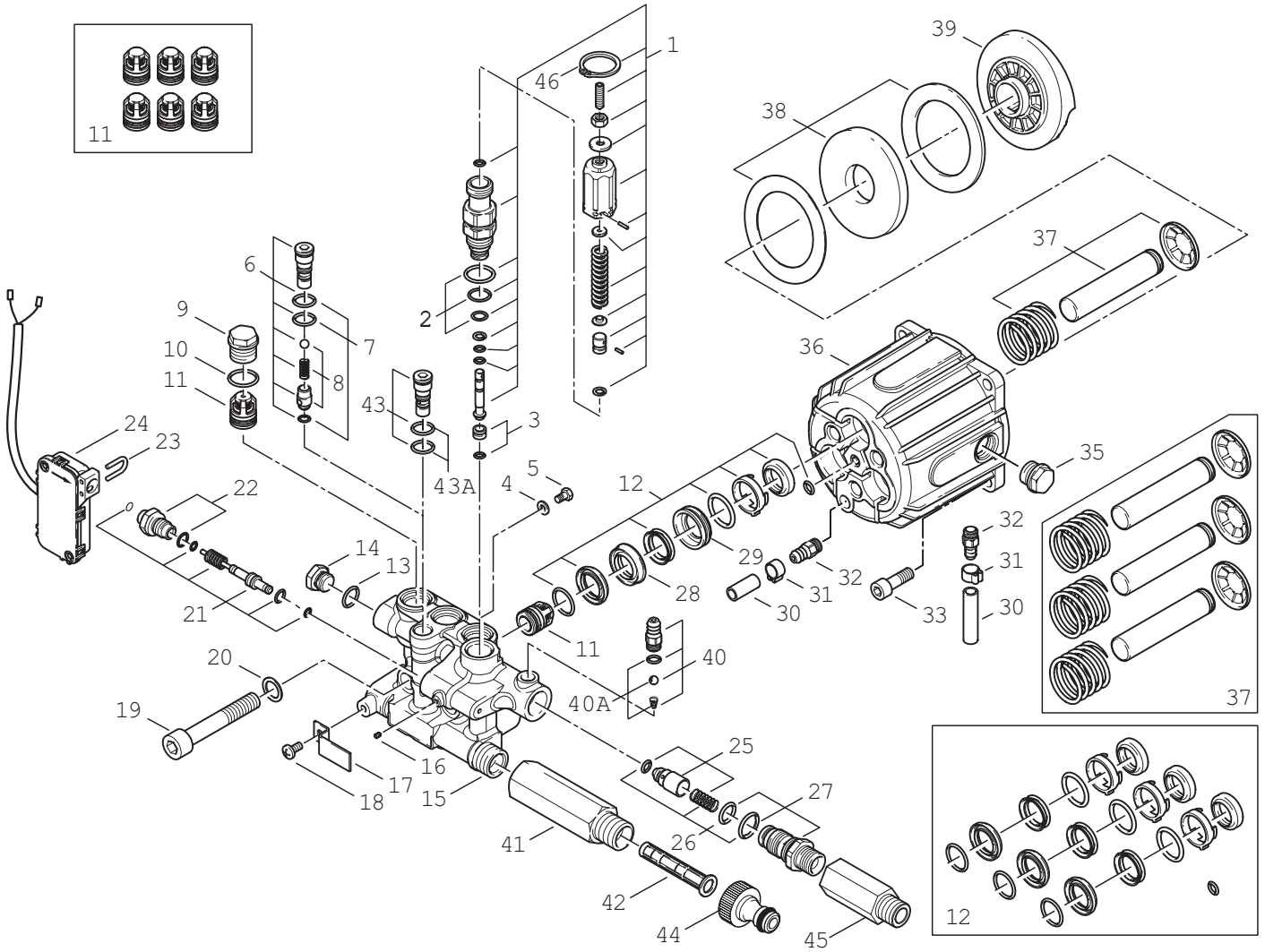
# Pump



Pos.	No.	Description	Comment	AquaMax 2330	AquaMax 2335
21	16J332	PISTON KIT		1	1
22	16J333	SCREWING KIT		1	1
23	16J334	CLAMP		1	1
24	16J335	MICRO SWITCH KIT		1	1
25	16J336	INJECTOR		1	1
26	16J337	O-RING KIT		1	1
27	16J338	INJECTOR KIT		1	1
28	16J264	THRUST COLLAR Ø 18 NP3- HP		3	3
29	16J339	PISTON GUIDE		3	3
30	16J340	HOSE		1	1
31	16J341	HOSE CLIP		2	2
32	16J342	HOSE CONNECTION		2	2
33	16J343	SCREW M5X25		4	4
35	16J344	PLUG		1	1
36	16J345	HOUSING		1	1
37	16J346	PISTON KIT 3X		1	1
38	16J347	BEARING KIT		1	1
39	16J364	WOBBLE DISC 11	*EU, 1ph*	1	
39	16J366	WOBBLE DISC 13	*EU, 3ph*		1
40	16J348	HOSE CONNECTION		1	1
41	16J161	COUPLING IN BRASS 3/4 FROM JANUARY 2008	incl. pos. 41, 42, 44	1	1

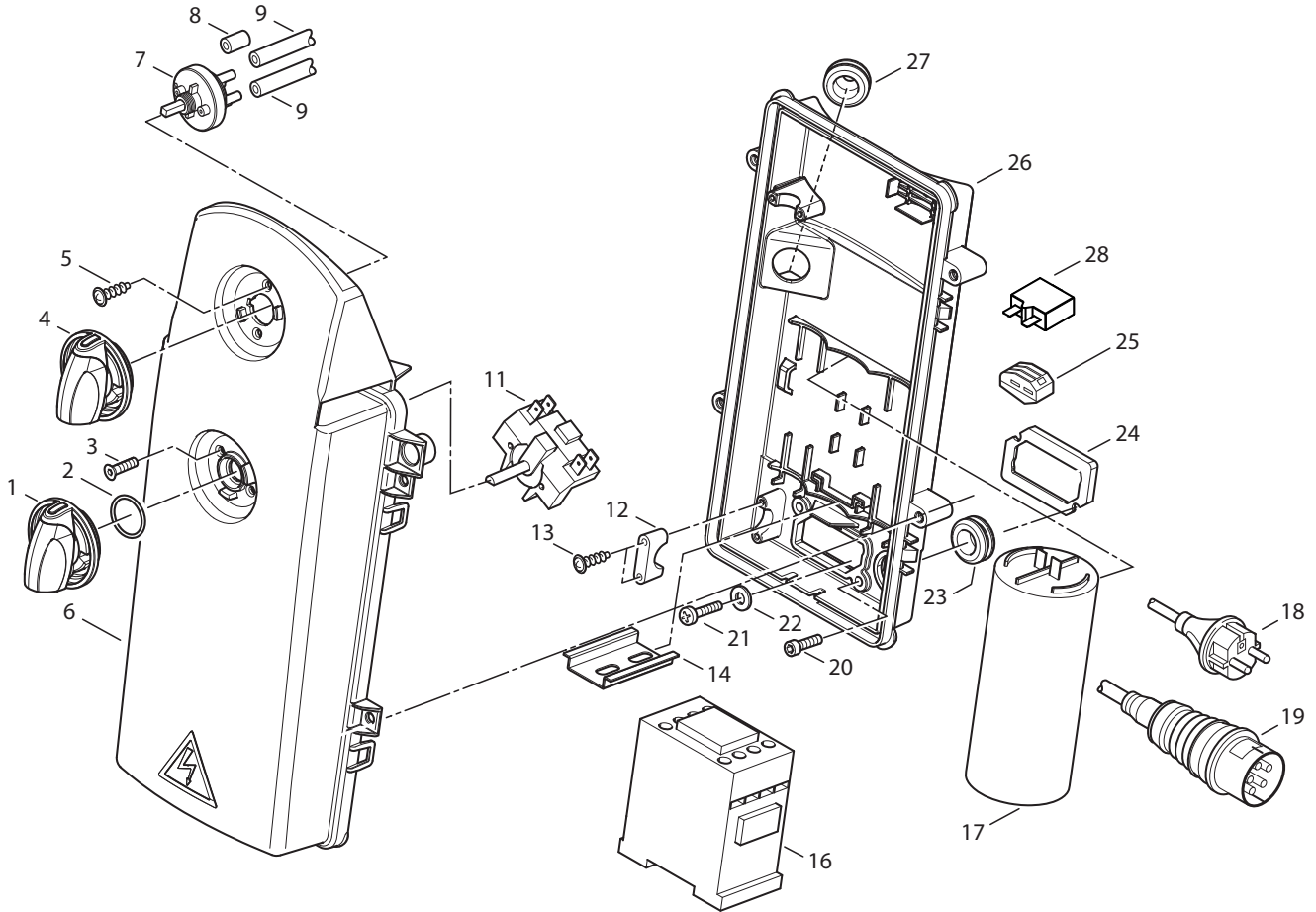


# Pump



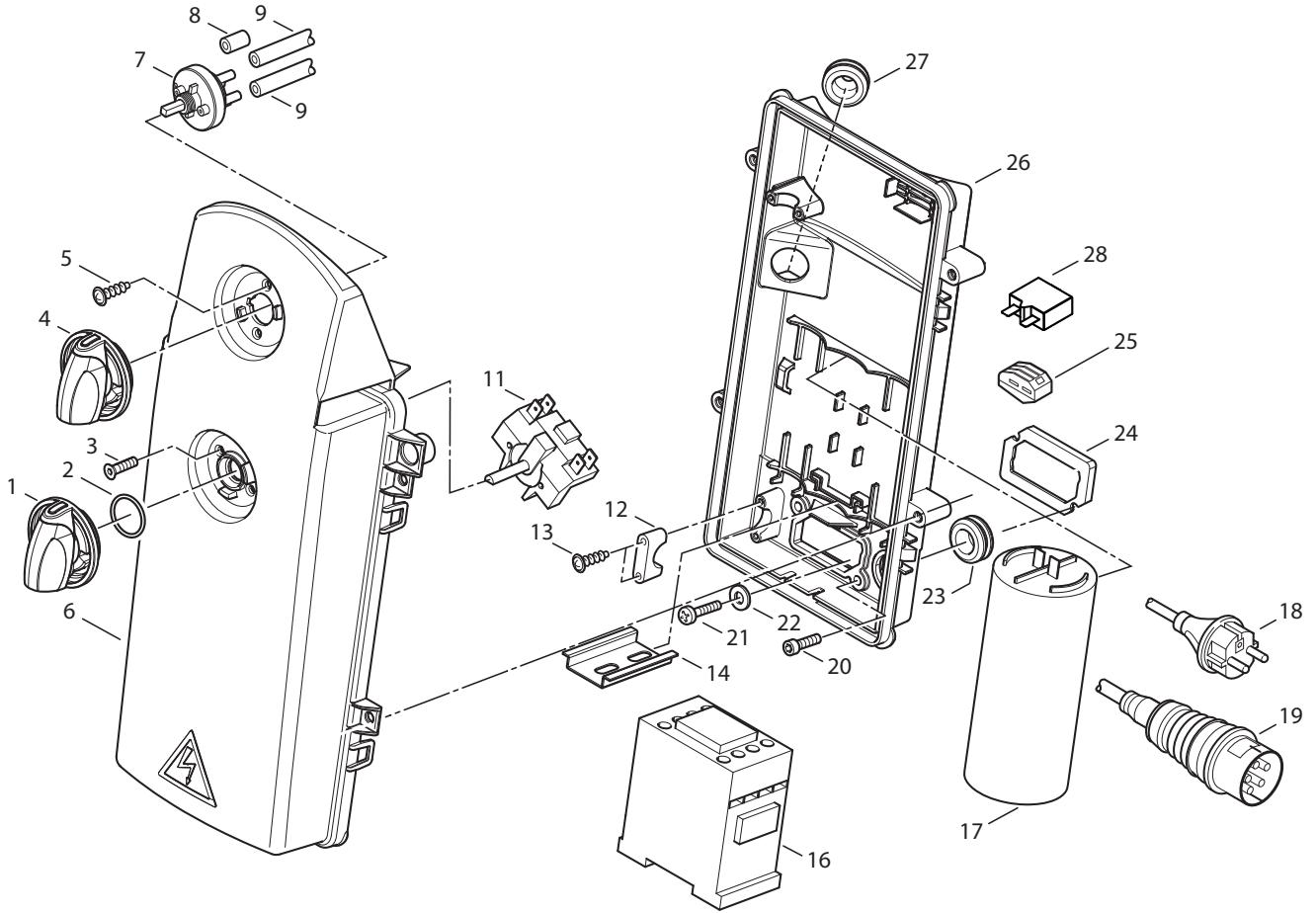
Pos.	No.	Description	Comment	AquaMax 2330	AquaMax 2335
41	16J301	EXTENSION WATERINLET KIT	pos. 41, 42, 44	1	1
42	16J350	FILTER		1	1
43	16J351	PLUG KIT	3~		1
44	16J033	GARDENA MALE 3/4		1	1
45	16J160	EXTENSION G3/8 F. HP-HOSE W. QUICKLOCK	For machines without hose reel		
46	16J121	RETAINER RING Ø23 DIN 471		1	1
40A	16J368	HOSE CONNECTION KIT		1	1
43A	16J369	O-RING KIT		1	1

# Electric box



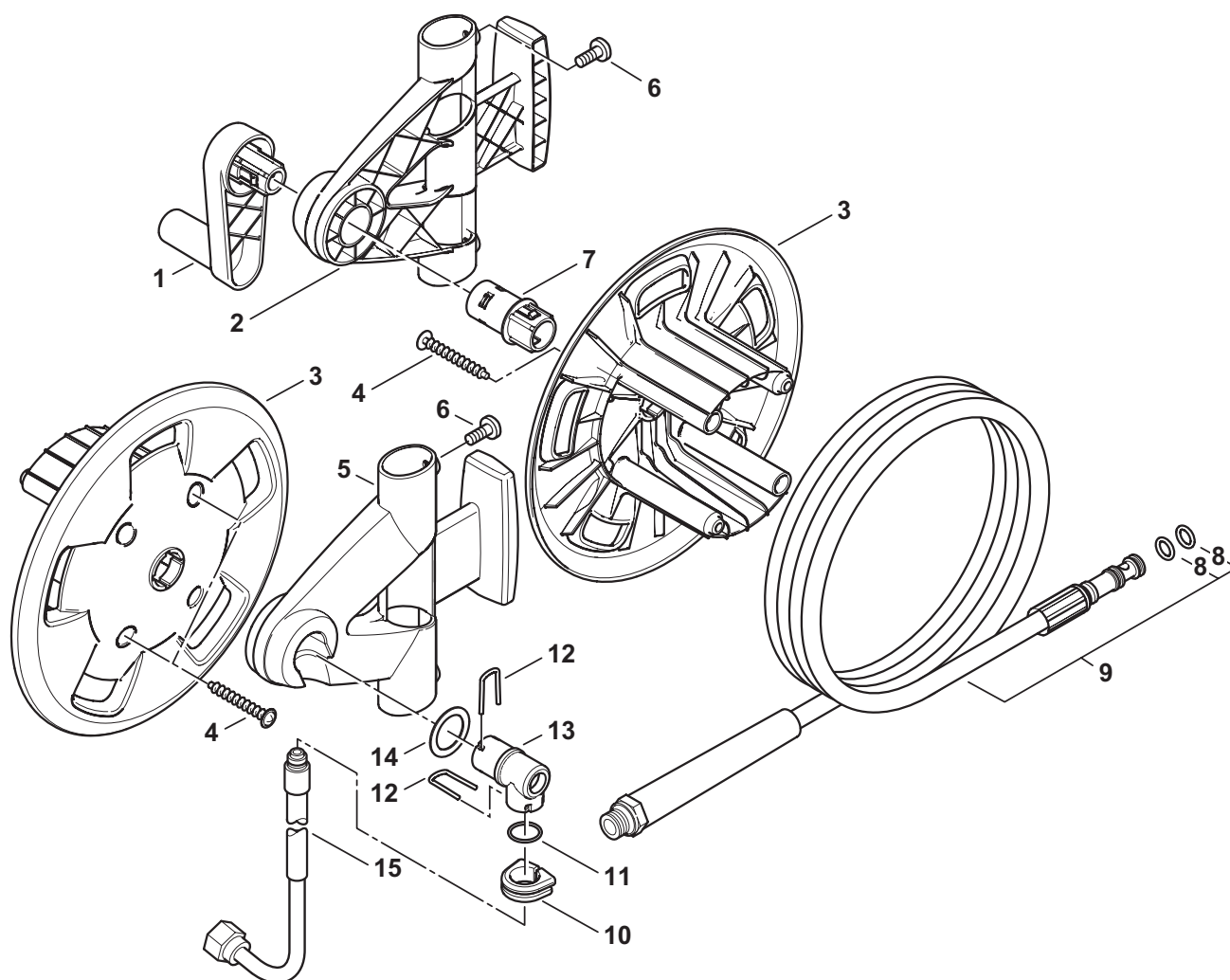
Pos.	No.	Description	Comment	AquaMax 2330	AquaMax 2335
1	16J385	ROTARY KNOB 6X5 BLUE		1	1
2	16J013	O RING DIA10X2,5		1	1
3	16J024	COUNTERSUNK SCREW M4X12		2	2
4	16J386	ROTARY KNOB GR.1 4KT. 6X6+8X8 BLUE		1	1
5	16J065	SCREW 30X10B		2	2
6	16J305	SWITCH CASE HOUSING UPPER PART BLACK		1	1
7	16J242	VALVE 51X70		1	1
8	16J265	CLOSING CAP Ø12X21.5		2	2
9	16J075	HOSE 6/10		1	1
11	16J250	CAM SWITCH 0-1 10A 400VAC		1	1
12	16J070	STRAIN RELIEF BRACKET 27.		1	1
13	16J392	SCREW K30X16 T12 WN5452		2	2
14	16J027	MOUNTING RAIL TS35 ST/ZN		1	1
16	16J142	CONTACTOR CJX2-1810 N7 400V		1	1
17	16J308	CAPACITOR 70MF /450V P0 FSH6.3	1 Phase	1	
18	16J089	POWER CORD RN-F 3G1.5X6M CEE7/II	1 Phase	1	
19	16J042	POWER CORD H07RN-F 4G1.5X6M	3 Phase		1
20	16J389	SCREW M5X16 CE T25 DIN 7500 ST/ZN		2	2
21	16J388	SCREW M4X6 CE T20 DIN 7500 ST/ZN		1	1
22	16J009	SERRATED LOCK WASHER A4		1	1
23	16J069	CABLE GROMMET TET 7-10C		1	1

# Electric box



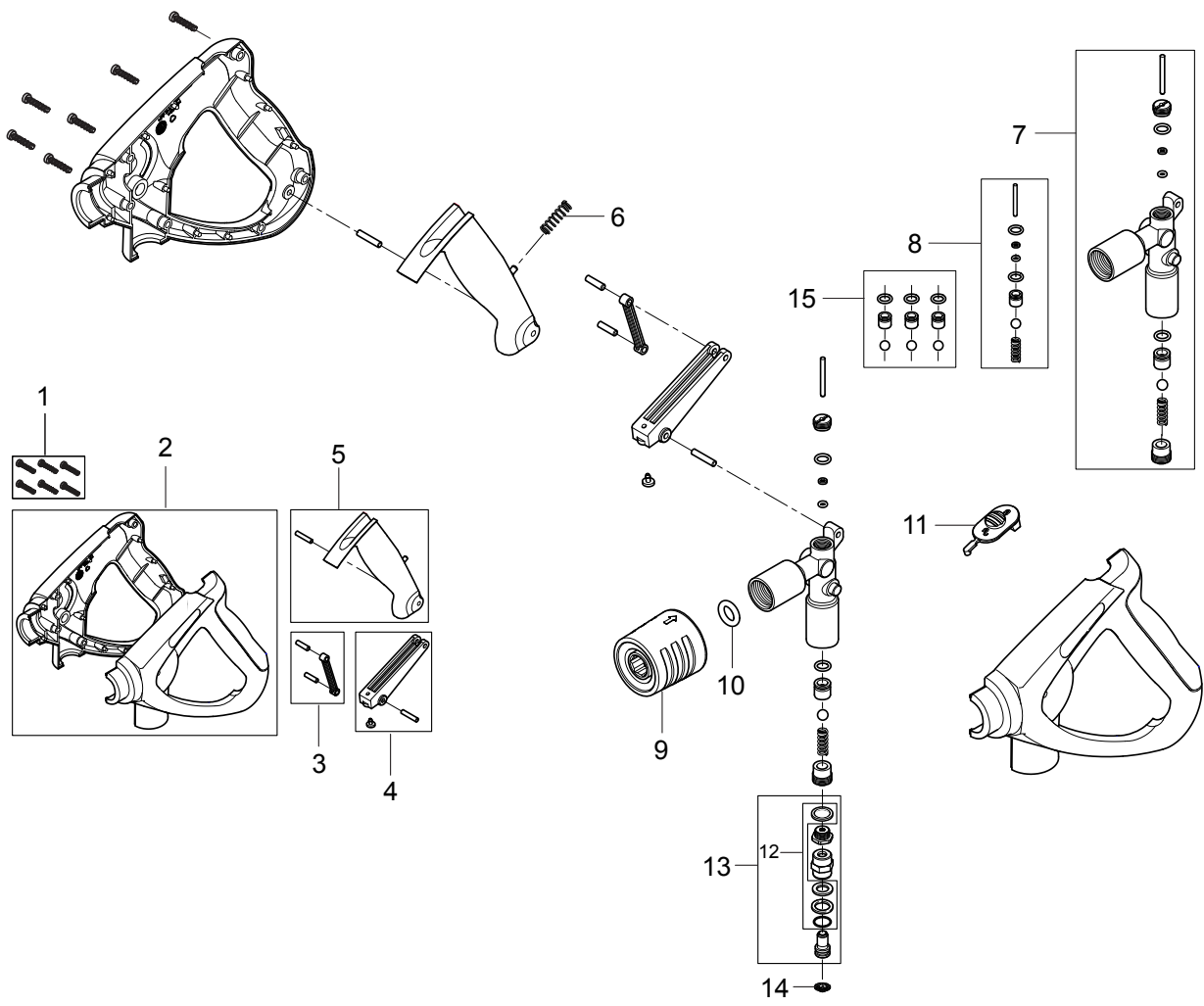
Pos.	No.	Description	Comment	AquaMax 2330	AquaMax 2335
24	16J271	GASKET SWITCHBOX		1	1
25	16J257	SNAP-ON CLIP 3X4QMM 400V 24A GREY		1	1
26	16J270	SWITCH CASE HOUSING LOWER PART		1	1
27	16J272	GROMMET		1	1
28	16J282	FUSE 16AMPS TYPE 1658	1 Phase	1	

## Hose reel



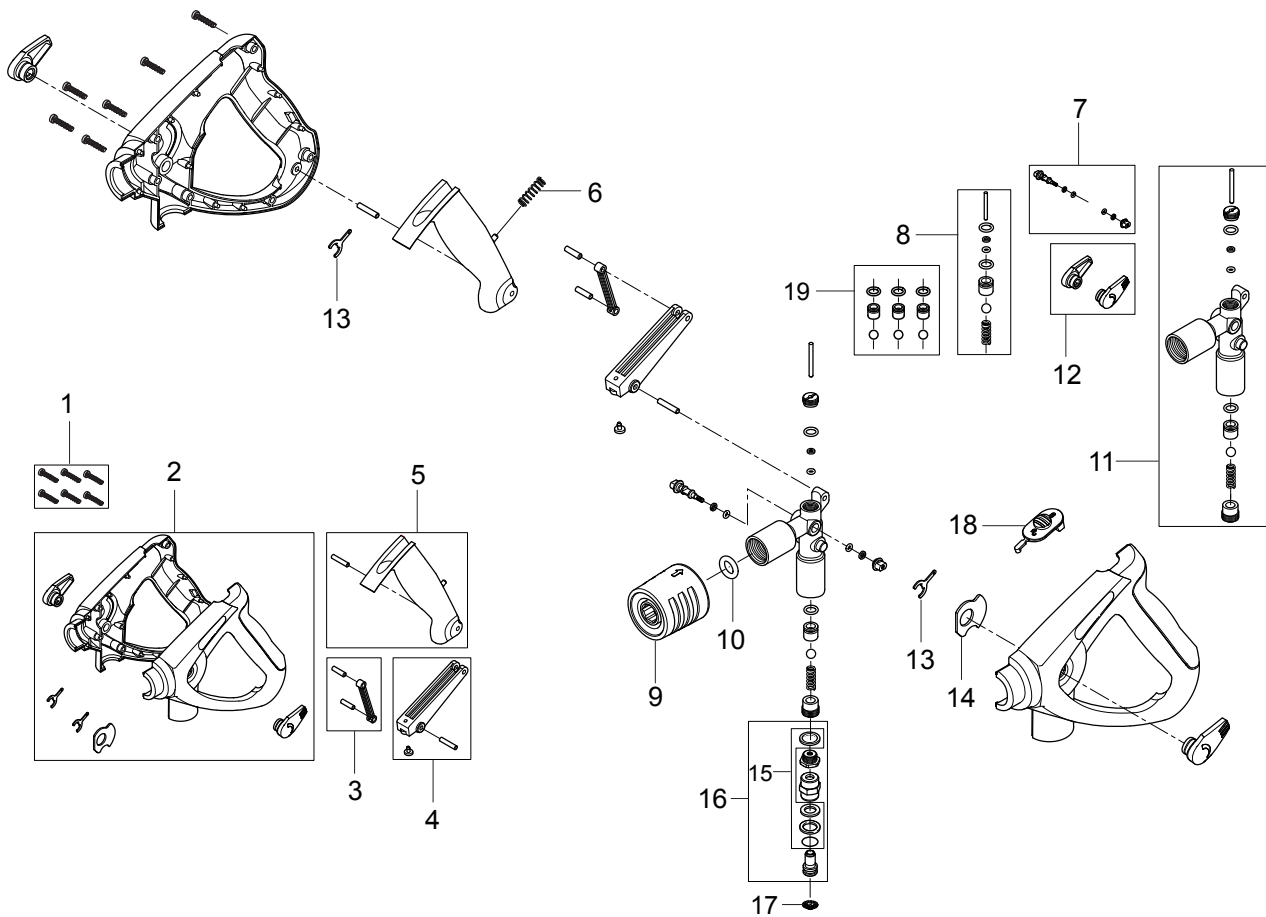
Pos.	No.	Description	Comment	AquaMax 2330	AquaMax 2335
-	16J291	HOSE REEL KIT		1	1
1	16J085	HOSE REEL HANDL		1	1
2	16J269	HOSE REEL ADAPTOR RH	PP	1	1
3	16J086	HOSE REEL		2	2
4	16J062	PT-SCREW K50X16 WN1451 - FZB		4	4
5	16J267	HOSE REEL ADAPTOR LH	PP	1	1
6	16J390	SCREW M6X12 CE T30 DIN 7500 ST/ZN		4	4
7	16J268	ADAPTOR		1	1
8	16J068	O-RING 10X2 ULTRATHAN		2	2
9	16J113	HP HOSE DN6 15 FOR HW AND SWIVEL		1	1
10	16J295	GROMMET CONNECTION HOSE		1	1
11	16J066	O-RING 14.3X2.4 NITRIL 70 SH		1	1
12	16J081	LOCK BRACKET SS		2	2
13	16J077	CONNECTOR Ø14/Ø14		1	1
14	16J078	WASHER		1	1
15	16J307	HOSE		1	1

# Spray handle for 2330 E



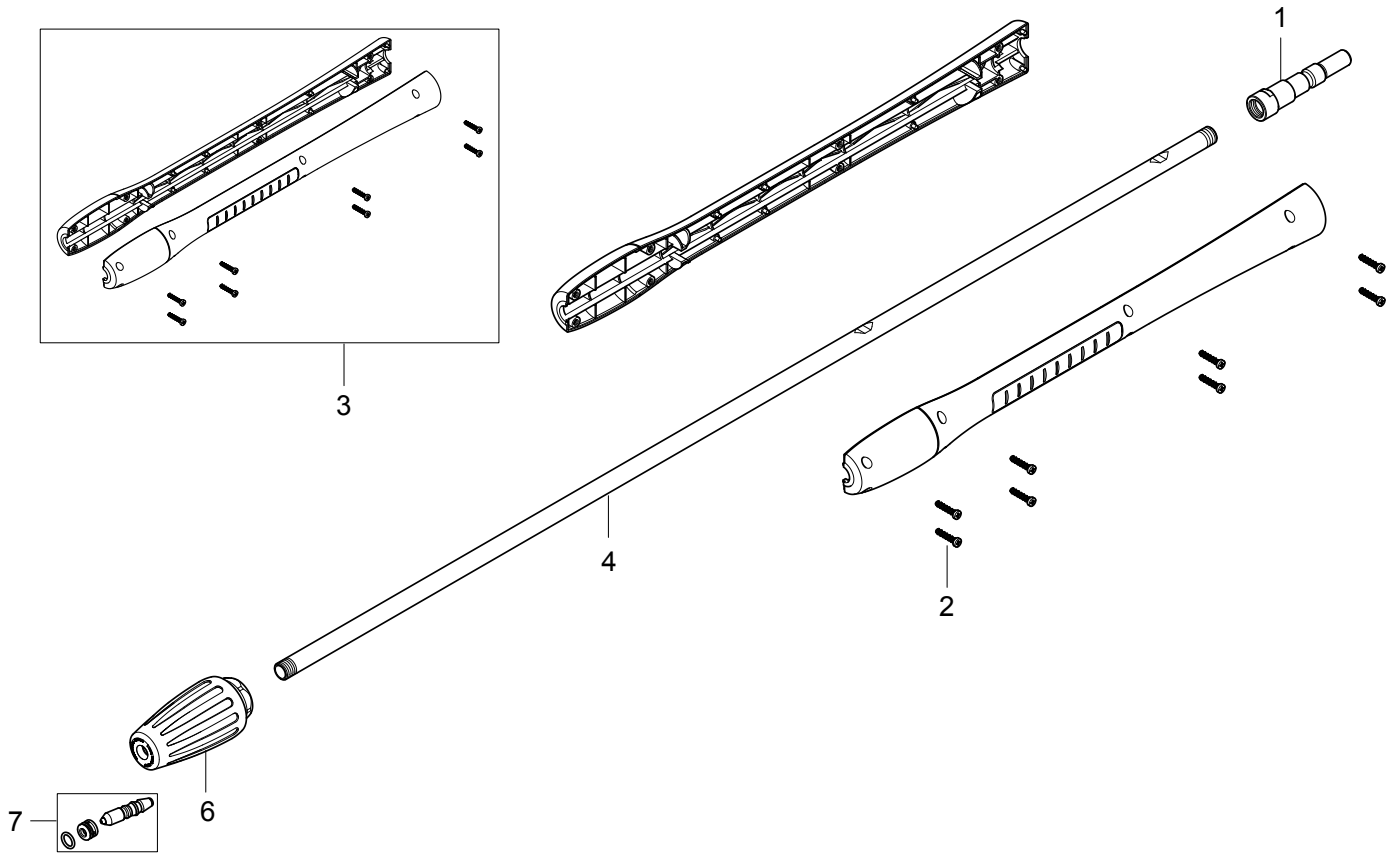
Pos.	No.	Description	Comment	AquaMax 2330	AquaMax 2335
0	16J397	SPRAY HANDLE		1	
1	16J094	TORX SCREW KIT		1	
2	16J398	HOUSING KIT W/O LOGO		1	
3	16J098	ARM FOR TRIGGER KIT		1	
4	16J093	ROCKER ARM KIT		1	
5	16J099	TRIGGER KIT		1	
6	16J096	SPRING		1	
7	16J110	VALVE HOUSING KIT		1	
8	16J092	VALVE HOUSING GASKET KIT		1	
9	16J104	BALL QUICK COUPLING		1	
10	16J140	O-RING 11X4		1	
11	16J103	TRIGGER LOCK		1	
12	16J126	REP.KIT SEALS FOR SWIVEL JOINT		1	
13	16J125	REP. KIT SWIVEL JOINT		1	
14	16J138	FILTER FOR ERGO		1	
15	16J111	REDUCED VALVE SEAT KIT		1	

# VP Spray handle for 2335 E



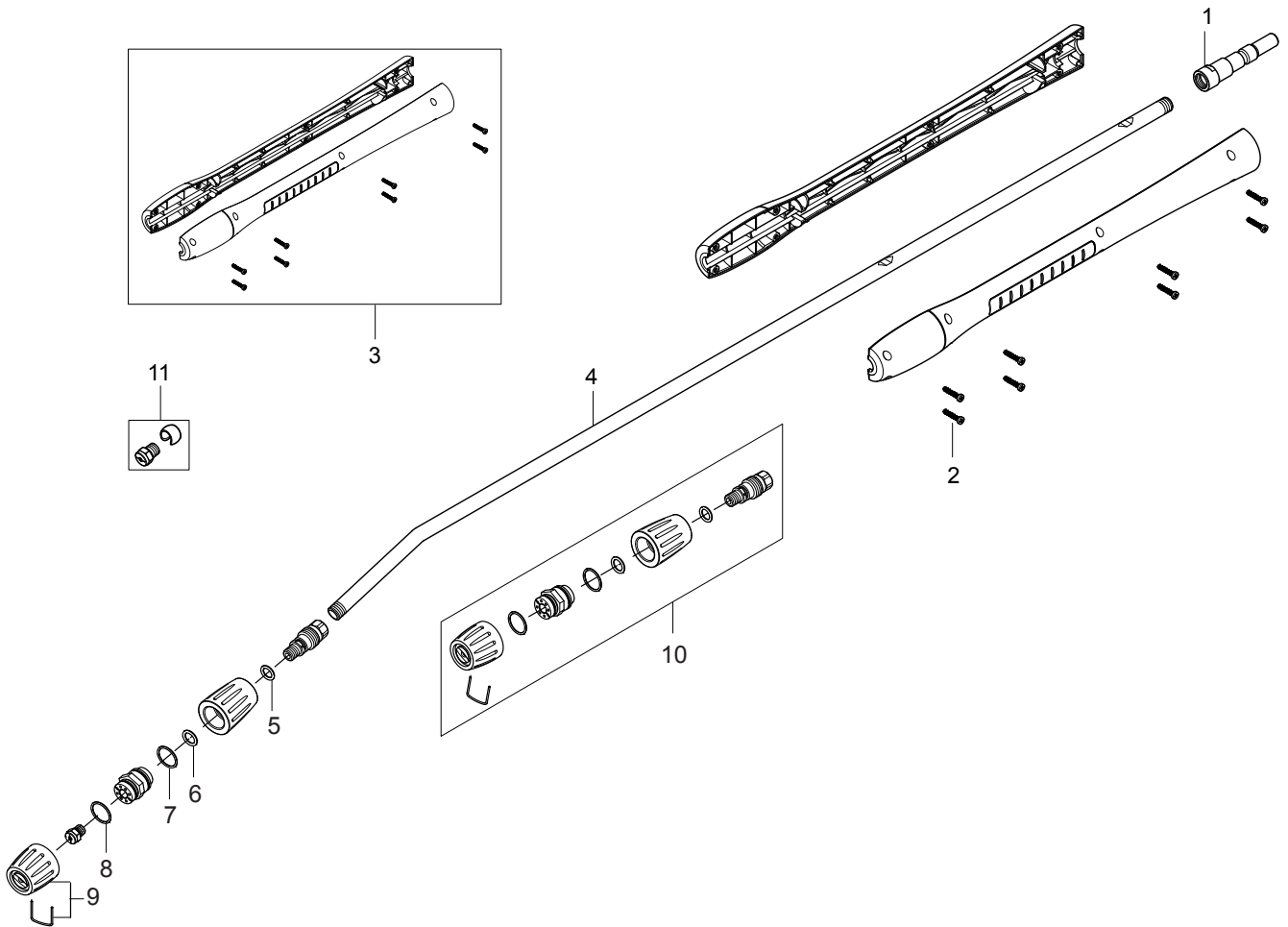
Pos.	No.	Description	Comment	AquaMax 2330	AquaMax 2335
-	16J408	VP SPRAY HANDLE			1
1	16J094	TORX SCREW KIT			1
2	16J409	SHELL KIT 1 VP W/O LOGO			1
3	16J098	ARM FOR TRIGGER KIT			1
4	16J093	ROCKER ARM KIT			1
5	16J099	TRIGGER KIT			1
6	16J096	SPRING			1
7	16J289	GASKET KIT ERGO 1000 VAR			1
8	16J092	VALVE HOUSING GASKET KIT			1
9	16J104	BALL QUICK COUPLING ALTO			1
10	16J140	O-RING 11X4			1
11	16J109	VALVE HOUSING VP KIT			1
12	16J100	LEVER KIT VP BLUE			1
13	16J102	LOCK KIT 2 PCS			1
14	16J101	VP ADJ. WASHER			1
15	16J126	REP.KIT SEALS FOR SWIVEL JOINT			1
16	16J125	REP. KIT SWIVEL JOINT			1
17	16J138	FILTER FOR ERGO			1
18	16J103	TRIGGER LOCK			1
19	16J111	REDUCED VALVE SEAT KIT			1

## Short rotary lance



Pos.	No.	Description	Comment	AquaMax 2330	AquaMax 2335
0	16J410	SHORT ROTARY LANCE		1	1
1	16J411	NIPPLE FOR SPRAY LANCE STAN.L		1	1
2	16J061	PT-SCREW K30X12 WN1452 - BLACK TORX		8	8
3	16J412	SHELL FOR SINGLE LANCE KIT		1	1
3	16J541	SHELL FOR SINGLE LANCE KIT - GREY		1	1
4	16J542	TUBE 500 MM STRAIGHT		1	1
6	16J399	TURBOHAMMER NOZZLE W12 050	2335		1
6	16J400	TURBOHAMMER NOZZLE W12 040	2330	1	
7	16J401	REP. KIT TURBOHAMMER W12 040	2330	1	
7	16J402	REP. KIT TURBOHAMMER W12 050	2335		1

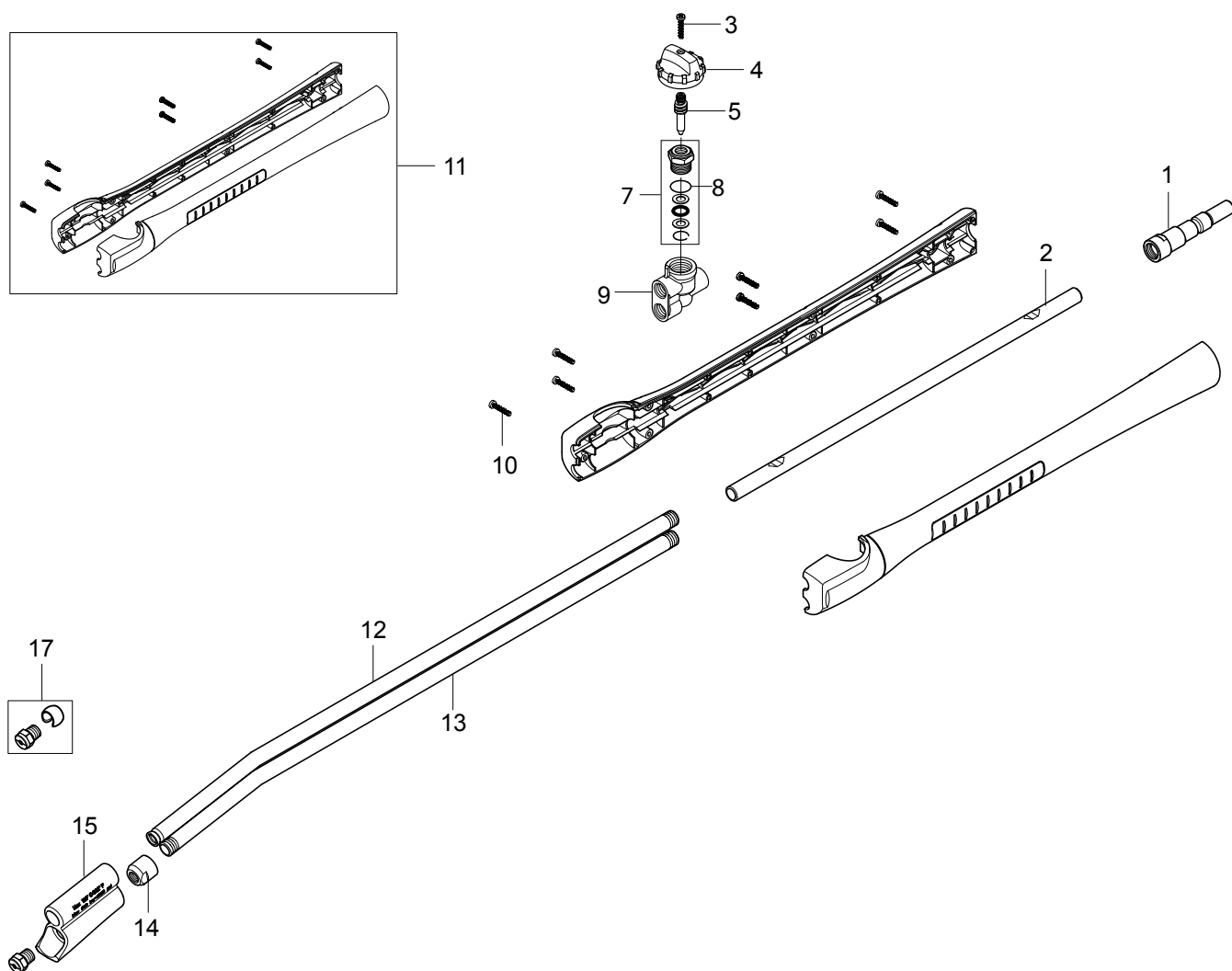
# Adjustable lance



Pos.	No.	Description	Comment	AquaMax 2330	AquaMax 2335
-	16J154	ADJUSTABLE LANCE 990 BEND W/O NOZ.		1	1
-	16J545	ADJUSTABLE LANCE 960 BEND W/O NOZZLE		1	1
1	16J546	NIPPLE FOR SPRAY LANCE STANLESS		1	1
2	16J061	PT-SCREW K30X12 WN1452 - BLACK TORX		8	8
3	16J547	SHELL FOR SINGLE LANCE KIT		1	1
4	16J548	HP-TUBE BENT D13L920 SS		1	1
4	16J549	HP-TUBE BENT D13L890 SS		1	1
5	16J550	O-RING 10,77X2,62 ARP		1	1
6	16J551	O-RING 11,92 X 2,62		1	1
7	16J552	O-RING Ø 20,35X1,78		1	1
8	16J553	O-RING 1,78X18,77		1	1
9	16J554	NOZZLE CAP AND LOCK		1	1
10	16J555	FLEXOPOWER NOZZLEHEAD 1/4 INS.THREAD		1	1
11	16J127	NOZZLE 0350 INDICATION RING BORDEAUX		1	
11	16J571	TORNADO NOZZLE 0475			1



## Double lance



Pos.	No.	Description	Comment	AquaMax 2330	AquaMax 2335
-	16J157	DOUBLE LANCE 1120 BEND W/O NOZZLE		1	1
1	16J556	NIPPLE FOR SPRAY LANCE STAINLESS		1	1
2	16J557	SUPPLIER TUBE KIT F. LANCE		1	1
3	16J558	SCREW Ø3X10 TORX DIN 7985		1	1
4	16J559	TURN BOTTOM F. LANCE KIT		1	1
5	16J560	SPINDLE FOR LANCE		1	1
7	16J561	KIT GASKETS		1	1
8	16J562	O-RING 14.1X1.6 NITRIL 70SH		1	1
9	16J563	HOUS F.SEAT LANCE		1	1
10	16J061	PT-SCREW K30X12 WN1452 - BLACK TORX		7	7
11	16J564	SHELL FOR DOUBLE LANCE KIT		1	1
12	16J565	TUBE LP W. NOZZLE F. LANCE L 1040		1	1
13	16J566	HIGH PRESSURE TUBE 104CM		1	1
14	16J567	ADAPTOR 1/8 NPSM-1/4		1	1
15	16J568	NOZZLE PROTECTION F. DOUBLE LANCE		1	1
17	16J127	NOZZLE 0350 INDICATION RING BORDEAUX		1	
17	16J571	TORNADO NOZZLE 0475			1

## RECOMMENDED SPARE PARTS

No.	Description
16J113	HP HOSE DN6 15 FOR HW AND SWIVEL
16J142	CONTACTOR CJX2-1810 N7 400V
16J018	CLAMPING RING Ø 15
16J242	VALVE 51X70
16J250	CAM SWITCH 0-1 10A 400VAC
16J268	ADAPTOR
16J291	HOSE REEL KIT
16J307	HOSE
16J308	CAPACITOR 80UF400/450V
16J313	REGULATION SAFETY BLOCK
16J314	O-RING REGULATION SAFETY
16J315	VALVE SEAT KIT
16J318	EASY START KIT
16J322	O-RING Ø 15,6X1,78
16J323	PISTON GUIDE KIT
16J332	PISTON KIT
16J333	SCREWING KIT
16J334	CLAMP
16J335	MICRO SWITCH KIT
16J336	INJECTOR
16J340	HOSE
16J341	HOSE CLIP
16J346	PISTON KIT 3X
16J347	BEARING KIT
16J348	HOSE CONNECTION
16J350	FILTER
16J351	PLUG KIT
16J360	FAN
16J364	WOBBLE DISC 11
16J366	WOBBLE DISC 13
16J368	HOSE CONNECTION KIT
16J369	O-RING KIT
16J033	GARDENA MALE 3/4
16J075	HOSE 6/10
16J039	O-RING 94,92X2,62
16J077	CONNECTOR Ø14/Ø14
16J078	WASHER
16J079	FILTER
16J081	LOCK BRACKET SS
16J083	MANOMETER 0-315 BAR WHITE
16J086	HOSE REEL
16J385	ROTARY KNOB 6X5 BLUE
16J386	ROTARY KNOB GR.1 4KT. 6X6+8X8 BLUE
16J387	PUMP OIL ROTHATH 1LTR
16J013	O RING DIA10X2,5

## **Graco Standard Warranty**

Graco warrants all equipment referenced in this document which is manufactured by Graco and bearing its name to be free from defects in material and workmanship on the date of sale to the original purchaser for use. With the exception of any special, extended, or limited warranty published by Graco, Graco will, for a period of twelve months from the date of sale, repair or replace any part of the equipment determined by Graco to be defective. This warranty applies only when the equipment is installed, operated and maintained in accordance with Graco's written recommendations.

This warranty does not cover, and Graco shall not be liable for general wear and tear, or any malfunction, damage or wear caused by faulty installation, misapplication, abrasion, corrosion, inadequate or improper maintenance, negligence, accident, tampering, or substitution of non-Graco component parts. Nor shall Graco be liable for malfunction, damage or wear caused by the incompatibility of Graco equipment with structures, accessories, equipment or materials not supplied by Graco, or the improper design, manufacture, installation, operation or maintenance of structures, accessories, equipment or materials not supplied by Graco.

This warranty is conditioned upon the prepaid return of the equipment claimed to be defective to an authorized Graco distributor for verification of the claimed defect. If the claimed defect is verified, Graco will repair or replace free of charge any defective parts. The equipment will be returned to the original purchaser transportation prepaid. If inspection of the equipment does not disclose any defect in material or workmanship, repairs will be made at a reasonable charge, which charges may include the costs of parts, labor, and transportation.

THIS WARRANTY IS EXCLUSIVE, AND IS IN LIEU OF ANY OTHER WARRANTIES, EXPRESS OR IMPLIED, INCLUDING BUT NOT LIMITED TO WARRANTY OF MERCHANTABILITY OR WARRANTY OF FITNESS FOR A PARTICULAR PURPOSE.

Graco's sole obligation and buyer's sole remedy for any breach of warranty shall be as set forth above. The buyer agrees that no other remedy (including, but not limited to, incidental or consequential damages for lost profits, lost sales, injury to person or property, or any other incidental or consequential loss) shall be available. Any action for breach of warranty must be brought within two (2) years of the date of sale.

GRACO MAKES NO WARRANTY, AND DISCLAIMS ALL IMPLIED WARRANTIES OF MERCHANTABILITY AND FITNESS FOR A PARTICULAR PURPOSE, IN CONNECTION WITH ACCESSORIES, EQUIPMENT, MATERIALS OR COMPONENTS SOLD BUT NOT MANUFACTURED BY GRACO.

These items sold, but not manufactured by Graco (such as electric motors, switches, hose, etc.), are subject to the warranty, if any, of their manufacturer. Graco will provide purchaser with reasonable assistance in making any claim for breach of these warranties.

In no event will Graco be liable for indirect, incidental, special or consequential damages resulting from Graco supplying equipment hereunder, or the furnishing, performance, or use of any products or other goods sold hereto, whether due to a breach of contract, breach of warranty, the negligence of Graco, or otherwise.

**Graco reserves the right to make changes at any time without notice.  
Original instructions. This spare part manual contains English. 3A1693A  
Graco Headquarters: Minneapolis  
International Offices: Belgium, China, Japan, Korea  
GRACO INC. P.O. BOX 1441 MINNEAPOLIS, MN 55440-1441  
[www.graco.com](http://www.graco.com)**