

RoadLazer[®] Skid-Mount OEM Striping Package

310664D
EN

- For OEM use in customized line striper applications only -

Model 234672

Hydraulic Stainless Steel

2000 psi (138 bar) Maximum Working Pressure



Read warnings and instructions in this manual and provided in Operation manual 308611

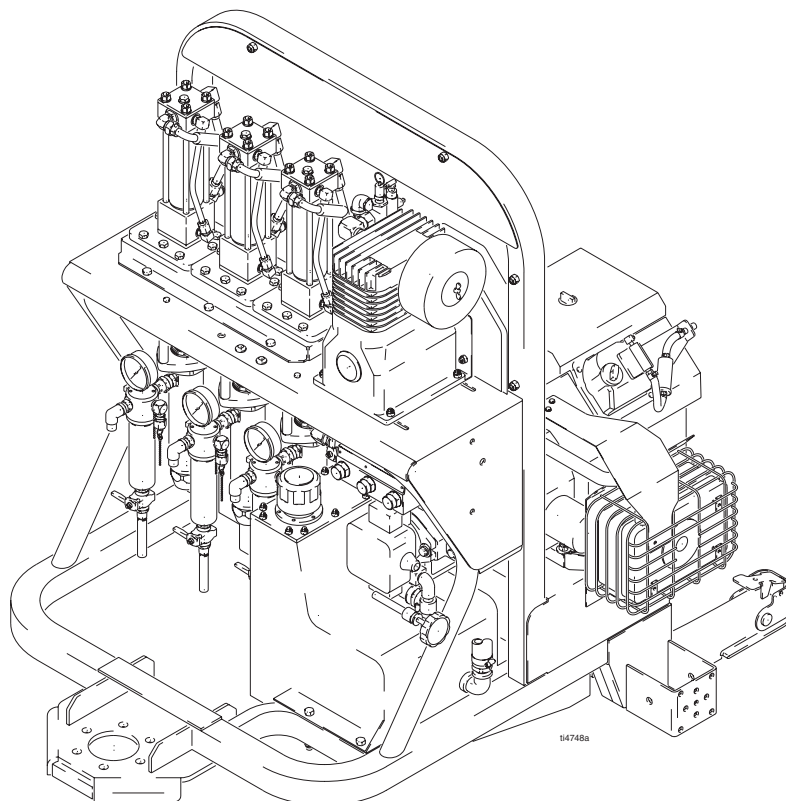
Related Manuals

308612 - Bead Spray Gun

308613 - Auto Spray Gun

308616 - Programmable Skipline

308974 - Pump





Contents

Warnings3
Parts5
 RoadLazer Line Striper Kit Components5
Parts6
 Pump System6
Parts8
 Regulator8
Notes9
Parts10
 Engine System10
Parts12
 Battery System12
Notes13

Parts 14
 Main Base Assembly (page 1 of 2) 14
Parts 16
 Main Base Assembly (page 2 of 2) 16
 Main Base Assembly Parts List 16
Technical Data 17
Graco Standard Warranty 18
Graco Information 18

Manual Conventions

 **WARNING**

 Hazard Symbol


WARNING: a potentially hazardous situation which, if not avoided, could result in death or serious injury.

Warnings in the instructions usually include a symbol indicating the hazard. Read the general **Warnings** section for additional safety information.

CAUTION






CAUTION: a potentially hazardous situation which, if not avoided, may result in property damage or destruction of equipment.







Note

 Additional helpful information.

Warnings

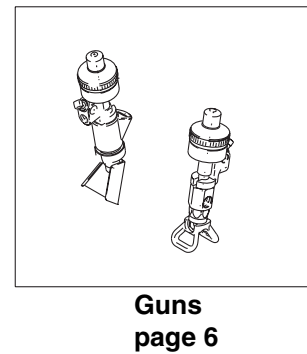
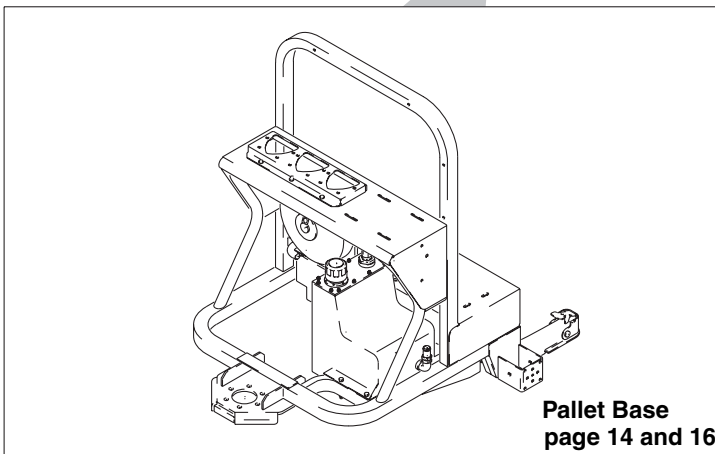
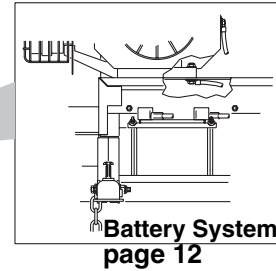
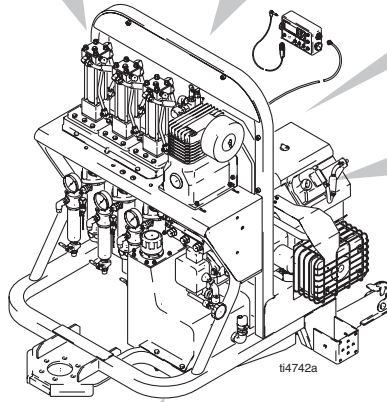
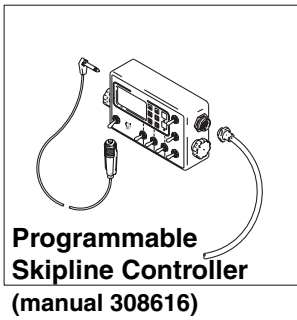
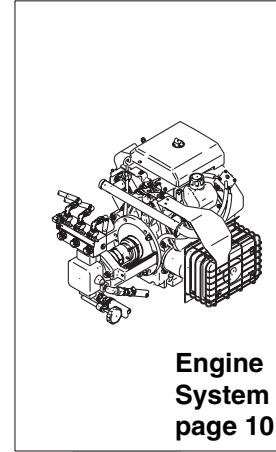
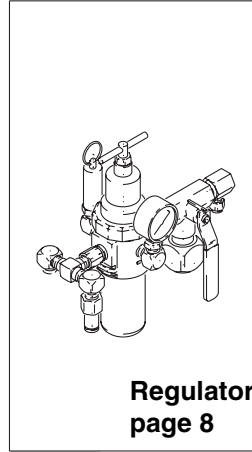
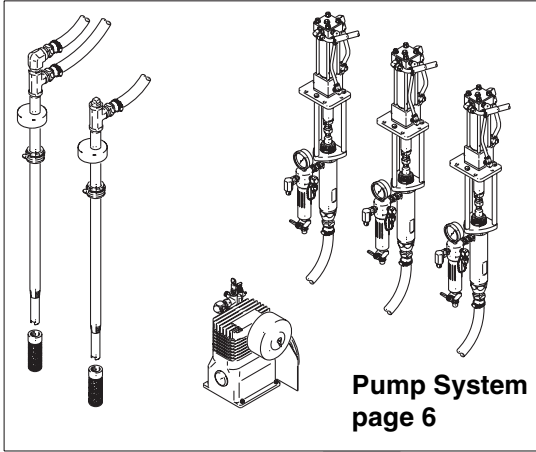
The following are general Warnings related to the safe setup, use, maintenance and repair of this equipment. Additional, more specific warnings may be found throughout the text of this manual where applicable.

 WARNING	
	<p>FIRE AND EXPLOSION HAZARD</p> <p>Flammable fumes, such as solvent and paint fumes, in work area can ignite or explode. To help prevent fire and explosion:</p> <ul style="list-style-type: none"> • Use equipment only in well ventilated area. • Eliminate all ignition sources; such as pilot lights, cigarettes, portable electric lamps, and plastic drop cloths (potential static arc). • Keep work area free of debris, including solvent, rags and gasoline. • Do not plug or unplug power cords, or turn power or light switches on or off when flammable fumes are present. • Ground equipment and conductive objects in work area. See Grounding instructions. • Use only grounded hoses. • Hold gun firmly to side of grounded pail when triggering into pail. • If there is static sparking or you feel a shock, stop operation immediately. Do not use equipment until you identify and correct the problem.
	<p>INJECTION HAZARD</p> <p>High-pressure fluid from gun, hose leaks, or ruptured components will pierce skin. This may look like just a cut, but it is a serious injury that can result in amputation. Get immediate surgical treatment.</p> <ul style="list-style-type: none"> • Do not point gun at anyone or at any part of the body. • Do not put your hand over the spray tip. • Do not stop or deflect leaks with your hand, body, glove, or rag. • Do not spray without tip guard and trigger guard installed. • Engage trigger lock when not spraying. • Follow Pressure Relief Procedure in this manual, when you stop spraying and before cleaning, checking, or servicing equipment.
	<p>EQUIPMENT MISUSE HAZARD</p> <p>Misuse can cause death or serious injury.</p> <ul style="list-style-type: none"> • Do not exceed the maximum working pressure or temperature rating of the lowest rated system component. See Technical Data in all equipment manuals. • Use fluids and solvents that are compatible with equipment wetted parts. See Technical Data in all equipment manuals. Read fluid and solvent manufacturer's warnings. • Check equipment daily. Repair or replace worn or damaged parts immediately. • Do not alter or modify equipment. • For professional use only. • Use equipment only for its intended purpose. Call your Graco distributor for information. • Route hoses and cables away from traffic areas, sharp edges, moving parts, and hot surfaces. • Do not use hoses to pull equipment. • Comply with all applicable safety regulations.
	<p>PRESSURIZED ALUMINUM PARTS HAZARD</p> <p>Do not use 1,1,1-trichloroethane, methylene chloride, other halogenated hydrocarbon solvents or fluids containing such solvents in pressurized aluminum equipment. Such use can cause serious chemical reaction and equipment rupture, and result in death, serious injury, and property damage.</p>

 WARNING	
	<p>CARBON MONOXIDE HAZARD</p> <p>Exhaust contains poisonous carbon monoxide, which is colorless and odorless. Breathing carbon monoxide can cause death. Do not operate in an enclosed area.</p>
	<p>TOXIC FLUID OR FUMES HAZARD</p> <p>Toxic fluids or fumes can cause serious injury or death if splashed in the eyes or on skin, inhaled, or swallowed.</p> <ul style="list-style-type: none"> • Read MSDS's to know the specific hazards of the fluids you are using. • Store hazardous fluid in approved containers, and dispose of it according to applicable guidelines.
  	<p>PERSONAL PROTECTIVE EQUIPMENT</p> <p>You must wear appropriate protective equipment when operating, servicing, or when in the operating area of the equipment to help protect you from serious injury, including eye injury, inhalation of toxic fumes, burns, and hearing loss. This equipment includes but is not limited to:</p> <ul style="list-style-type: none"> • Protective eyewear • Clothing and respirator as recommended by the fluid and solvent manufacturer • Gloves • Hearing protection

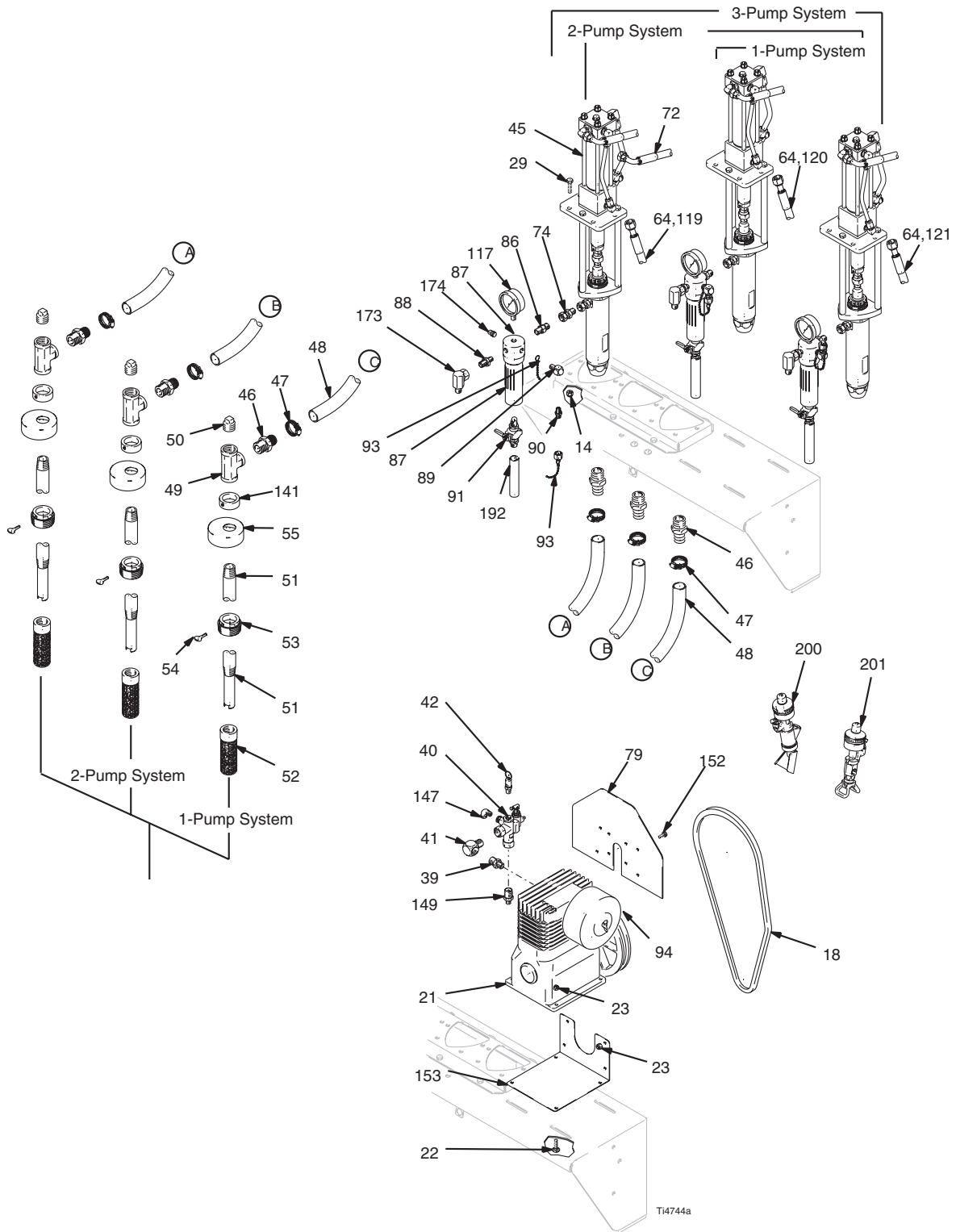
Parts

RoadLazer Line Striper Kit Components



Parts

Pump System

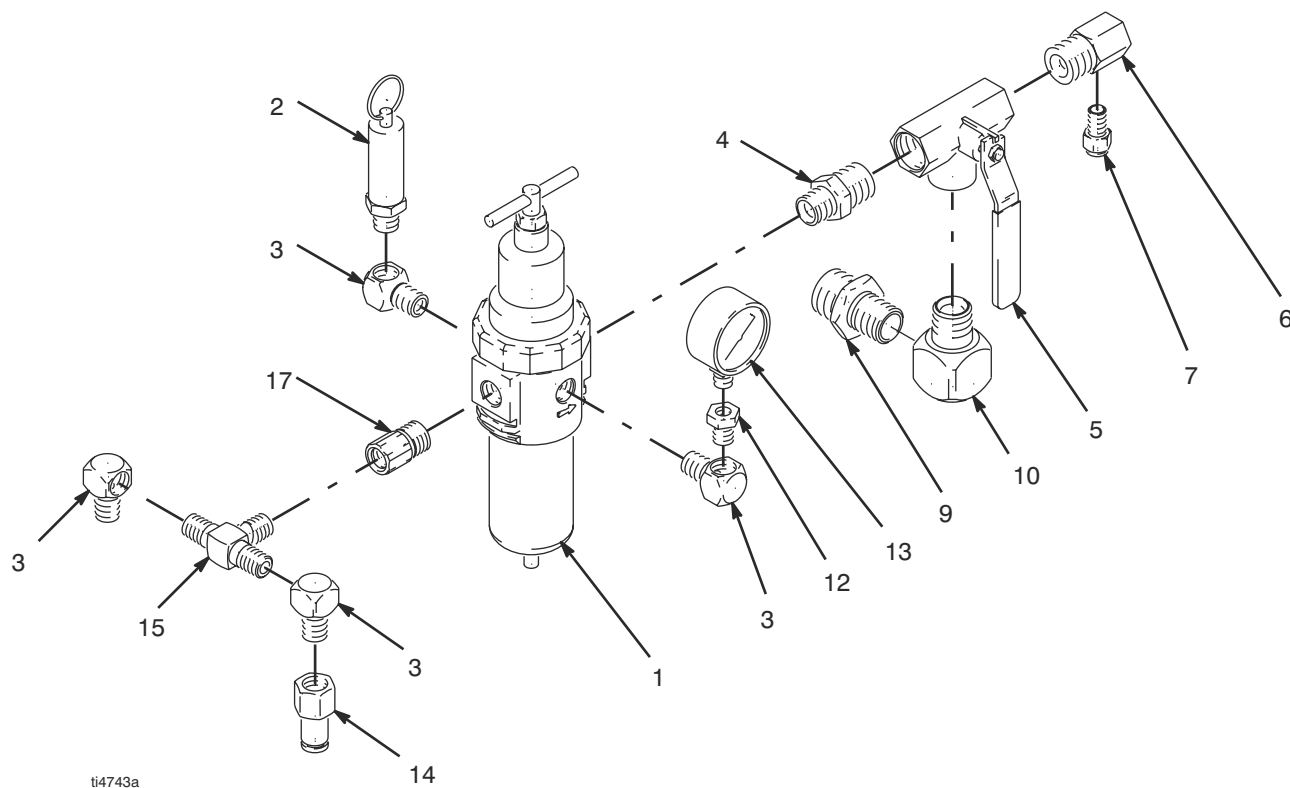


Pump System Parts List

Ref. No.	Part No.	Description	Qty.	Ref. No.	Part No.	Description	Qty.
14	101566	NUT, lock	22	74	235208	FITTING, union, swivel	3
18	113300	BELT, vee	1	79	191688	GUARD, belt, comp	1
21	112796	COMPRESSOR, air	1	86	166469	NIPPLE, pipe, hex	3
22	107129	BOLT, round head	4	87	238782	FILTER, fluid, sst	3
23	111040	NUT, lock, insert, nylock, 5/16 in.	8	88	501684	VALVE, check	3
29	100004	SCREW, cap, hex hd	14	89	166866	ELBOW, street	3
39	159239	FITTING, nipple, pipe, rdcg	1	90	166846	FITTING, adapter	3
40	112795	REGULATOR, unloader	1	91	238967	VALVE, ball, heavy duty	3
41	158683	FITTING, elbow, 90°	1	93	220285	CAP	3
42	113286	VALVE, safety	1	94	113687	FILTER, intake	1
45	238349	PUMP, paint, line striper	3	117	102814	GAUGE, pressure, fluid	3
46	113607	FITTING, barb, 1 in.	6	119	054163	TUBE, polyolefin, shrink	REF
47	101818	CLAMP, hose	8	120	054747	TUBE, polyolefin, shrink, blue	REF
48	191627	HOSE, suction	3	121	054748	TUBE, polyolefin, shrink, green	REF
49	113606	FITTING, tee	3	141	113797	COLLAR, screw, set	3
50	113561	PLUG, pipe	3	147	100286	ELBOW, street	1
51	191624	TUBE, suction	3	149	162449	FITTING, nipple, reducing	1
52	191635	STRAINER, inlet	3	152	109468	SCREW, cap, hex hd	4
53	176684	ADAPTER, bung	3	153	239022	BRACKET, comp, painted	1
54	100220	SCREW, thumb	3	173	112026	ELBOW, street	3
55	191641	CAP, splash	3	174	111697	PLUG, pipe	3
64	191645	HOSE, coupled, 24 in. (61 cm)	3	192	191731	EXTENSION, pipe, pump	3
72	191647	HOSE, coupled, 27 in. (68.5 cm)	3	200	238329	GUN, spray, bead (manual 308612)	3
				201	238332	GUN, spray, auto (manual 308613)	3

Parts

Regulator

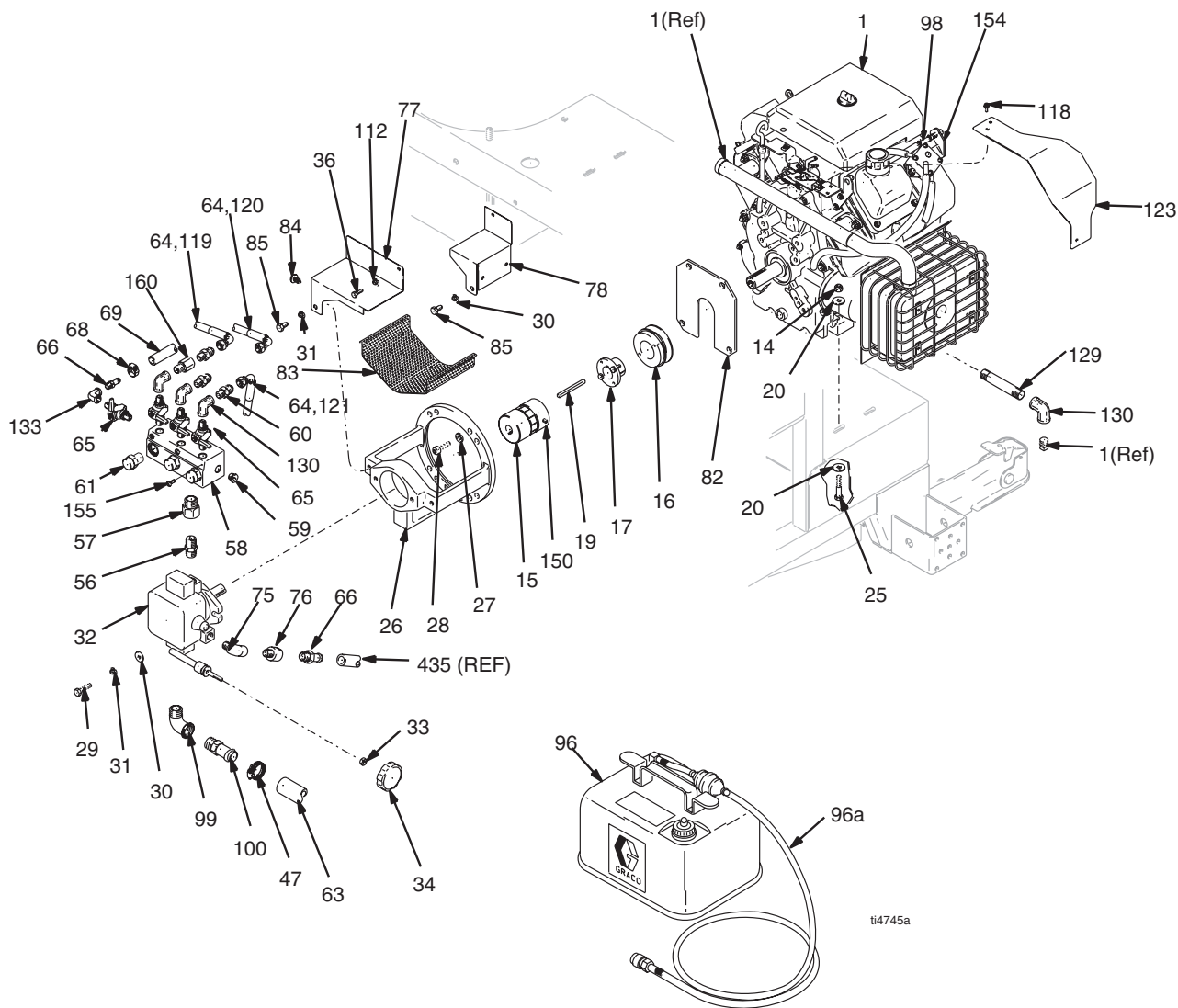


Regulator Parts List

Ref. No.	Part No.	Description	Qty.	Ref. No.	Part No.	Description	Qty.
1	113291	REGULATOR, air	1	9	157191	NIPPLE, reducing 3/4 in. npt x 1/2 npt, 1-7/8 in. (46 mm) long	1
2	108124	VALVE, safety	1	10	158683	FITTING, elbow, 90°, 1/2-14 npt(f) x 1/2-14 npt(m)	1
3	100840	ELBOW, street, 1/4-18 npt	4	12	100030	BUSHING	1
4	159239	NIPPLE, reducing, 1/2 in. npt x 3/8 in. npt, 1-5/8 in. (41 mm) long	REF	13	104655	GAUGE, pressure, air	1
5	113292	VALVE, ball, 3-way	1	14	112790	CONNECTOR, tube, 1/4-18 npt	1
6	166999	ELBOW, 90° street, reducing 1/4 in. npt (f) x 1/2 in. npt (m)	1	15	113548	TEE, 1/4-18 npt	1
7	113319	FITTING, air, 3/8 OD x 1/4-18 npt	1	17	159841	ADAPTER, 1/4-18 npt(f) x 3/8-18 npt(m)	1
				18	070408	SEALANT, pipe, sst (not shown)	1

Parts

Engine System

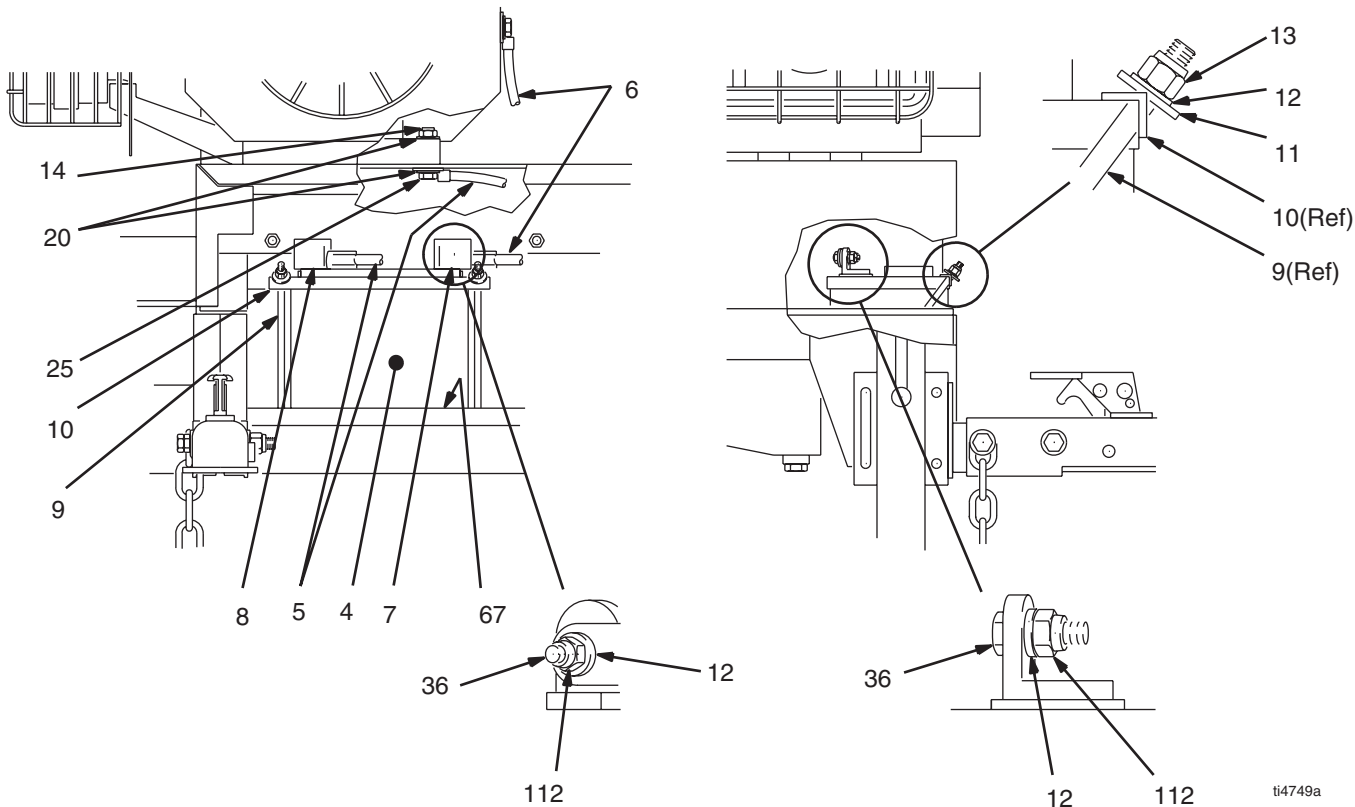


Engine System Parts List

Ref. No.	Part No.	Description	Qty.	Ref. No.	Part No.	Description	Qty.
1	113287	ENGINE, Kohler, 18 hp	1	65	210658	VALVE, ball	REF
14	101566	LOCKNUT, nylon, 3/8-16	REF	66	107050	INSERT, hose, beaded	2
15	106063	COUPLING, flexible	1	68	102473	CLAMP, hose	2
16	113295	SHEAVE, 1 groove, 'B'	1	69	191649	HOSE, 0.63 in. ID, 15 in. (38 cm)	1
17	801376	BUSHING, H-1.125	1	75	107032	ELBOW, 90°, 3/8-18 npt	1
19	605358	KEY, sprocket	1	76	156022	ADAPTER, 3/8 in. npt x 1/2 in. npt, 1-1/2 in. (38 mm) long	1
20	100132	WASHER, flat	11	77	191686	GUARD, top, left	1
26	191620	SUPPORT, pump	1	78	191687	GUARD, top, right	1
27	100052	WASHER, lock	4	80	191686	GUARD, top, left	1
28	107143	CAPSCREW, soc hd, grade 5, 7/16-14 unc-3a; 1.25 in. (31 mm) long	4	81	191687	GUARD, top right	1
29	100004	CAPSCREW, hex hd, grade 5, 7/16-14 unc-2a; 1.25 in. (31 mm) long	REF	82	191695	GUARD, motor, front	1
30	100023	WASHER, flat	2	83	191696	GUARD, belt, lower	1
31	100133	WASHER, lock, 3/8 in.	4	84	113609	BUMPER, nylon	4
32	191253	PUMP, vane	1	85	100575	CAPSCREW, hex hd, grade 5, 3/8-16 unc-2a, 5/8 in. (16 mm) long	2
33	100187	NUT, grade 5, 5/16-24	1	96	238681	TANK, fuel	1
34	219099	KNOB, pump	1	96a	113371	HOSE, fuel line	1
36	100022	CAPSCREW, hex hd, grade 5, 1/4-20 unc-2a; 3/4 in. (19 mm) long	4	98	113372	COUPLING, fuel line	1
41	158683	ELBOW, 90°, 1/2-14 npt(f) x 1/2-14 npt (m)	REF	99	100549	ELBOW, street pipe, 90°	1
56	158491	NIPPLE, 1/2 in. npt x 1/2 npt, 1-5/8 in. (41 mm) long	1	100	107049	INSERT, hose, beaded	1
57	113613	ADAPTER, female pipe, 1/2-14 npt(f) x 1-1/16-12 unf-2a	1	101	113681	SPRING, compression (not shown)	1
58	192045	MANIFOLD, valve	1	102	100015	NUT, hex, grade 5, 1/4-20 unc-2b	2
59	104813	PLUG, pipe; 3/8-18 npt	1	118	112179	SCREW, mch, grade 5, M5 x 12	2
60	110311	NIPPLE, straight; 3/8-18 npt(f) x 3/4-16 unf	3	123	191863	GUARD, hose	1
61	113703	REGULATOR, hydraulic flow	3	129	100195	NIPPLE, pipe, 3/8-18 npt	1
63	191648	HOSE, 1 in. ID	1	130	165472	ELBOW, pipe, 90°, 3/8 npt(f)	1
64	191645	HOSE, coupled, 29.5 in. (75 cm)	REF	133	107053	ELBOW, street, 3/8-18 npt(f) x 1/2-14 npt(f)	1
				150	100421	SCREW, set grade 5, 5/16-18 unc-3a, 0.375 in. (10 mm) long	2
				154	192228	BRACKET, fuel coupler	1
				155	111445	SCREW, drive	3
				160	150286	ADAPTER, 3/8 in.	1
				435	238346	HOSE, 0.63 in. ID, 19 in. (48 cm)	1

Parts

Battery System

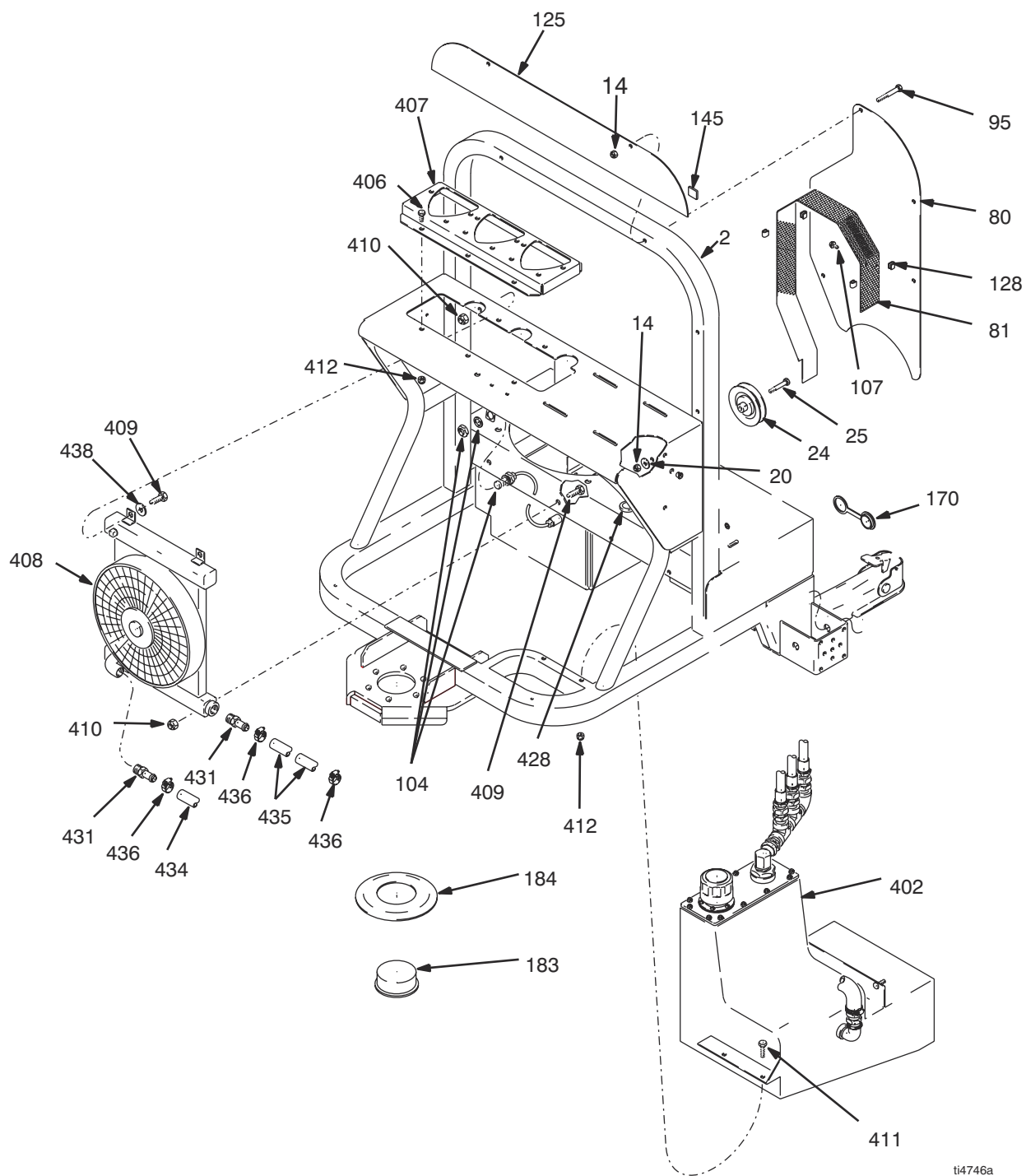


Regulator Parts List

Ref. No.	Part No.	Description	Qty.	Ref. No.	Part No.	Description	Qty.
4	115753	BATTERY, 33 AH, sealed	1	12	100016	WASHER, lock	4
5	107072	CABLE, electric, negative	1	13	102040	NUT, lock, hex	5
6	107073	CABLE, electric, positive	1	14	101566	NUT, lock	22
7	801958	PROTECTOR, terminal, red	1	20	100132	WASHER, flat	11
8	801959	PROTECTOR, terminal, black	1	25	111803	SCREW, cap, hex hd	5
9	803525	BOLT, battery	2	36	100022	SCREW, cap, hex hd	5
10	107069	CLAMP, battery	1	67	801972	PAD, battery	1
11	100527	WASHER, wrought	2	112	100015	NUT, hex mscr	2

Parts

Main Base Assembly (page 1 of 2)



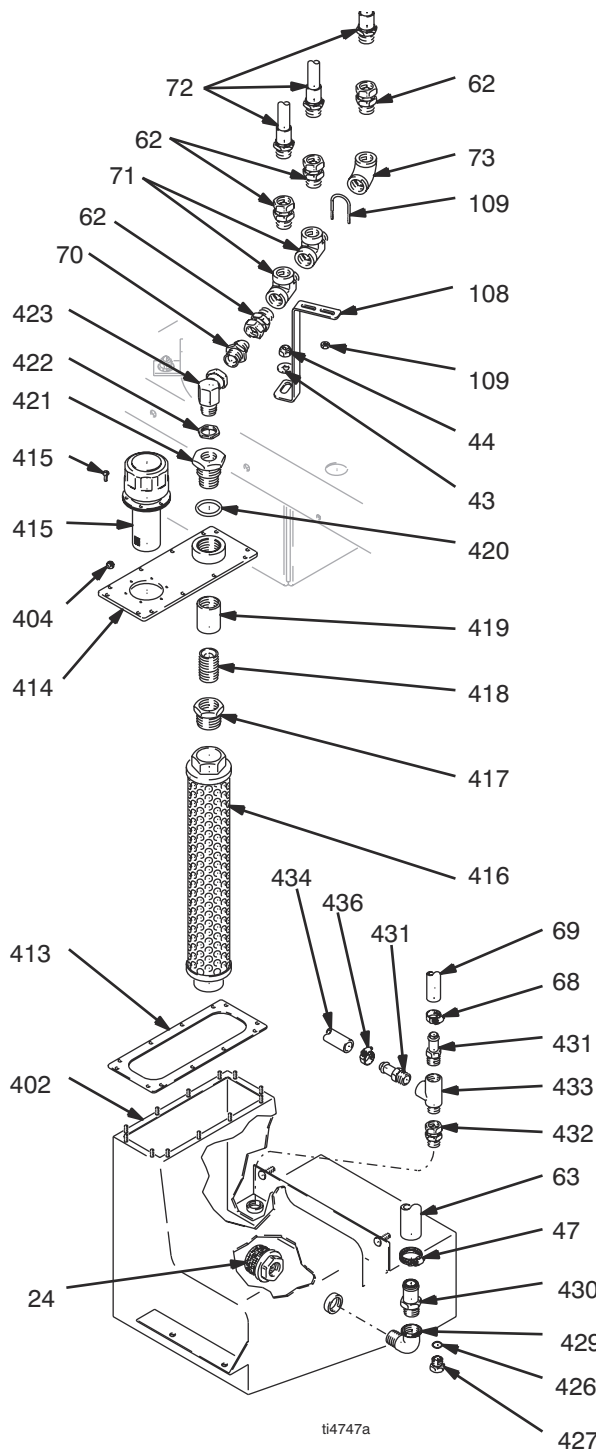
ti4746a

Main Base Assembly Parts List (page 1 of 2)

Ref. No.	Part No.	Description	Qty.	Ref. No.	Part No.	Description	Qty.
2	248422	Base RoadLazer Palletized	1	400	248422	MAIN BASE ASSEMBLY (includes 40 to 459). Also page 16.	
14	101566	LOCKNUT, nylon, 3/8-16	22	401	238337	BASE, main	1
20	100132	WASHER, flat	11	405	100731	WASHER	6
24	113619	IDLER, vee, pulley	1	406	100469	CAPSCREW, hex hd, grade 5, 3/8-16 unc-2a, 3/4 in. (19 mm) long	5
25	111803	CAPSCREW, hex hd, grade 5, 3/8-16 unc-2a, 2 in. (51 mm) long	5	407	191248	BASE. pump mount	1
80	191690	GUARD, belt, front	1	408	113597	COOLER, air	1
81	191697	GUARD, belt, side	1	408a	240798	KIT, motor and fan replacement	1
95	100531	CAPSCREW, hex hd, grade 5, 3/8-16 unc-2a, 2.5 in. (63.5 mm) long	5	409	100424	SCREW	4
104	115501	SENSOR, proximity	1	410	801020	NUT, lock, hex, grade 5, 1/2-13 unc-2b	4
107	107257	SCREW, thd forming, hex, washer hd, grade 5, 1/4-20 unc-3a, 0.50 in. (13 mm) long	2	411	100454	CAPSCREW, hex hd, grade 5, 3/8-16 unc-2a, 7/8 in. (22 mm) long	4
125	191855	PLATE, logo	1	412	101566	LOCKNUT, grade 5	20
128	111583	PAD, vibration, motor	4	428	113667	BUSHING, nylon	1
145	187797	SPACER, duct	2	431	107050	INSERT, hose, beaded	4
170	114040	CAP, connector, weathertight	1	434	191650	HOSE, 0.63 in. ID, 14 in. (36 cm)	1
183	113603	CAP, hub	1	435	191651	HOSE, 0.63 in. ID, 19 in. (48 cm)	1
184	191965	RING, rubber	1	436	102473	CLAMP, hose	4
				438	109570	WASHER, plain	4

Parts

Main Base Assembly (page 2 of 2)



Main Base Assembly Parts List (page 2 of 2)

Ref. No.	Part No.	Description	Qty.
	24	113619 PULLEY, idler, vee	1
	43	109570 WASHER, plain	1
	44	801020 NUT, lock, hex, grade 5, 1/2-13 unc-2b	1
	47	101818 CLAMP, hose	1
	62	157785 UNION, swivel; 3/4 npt(m) x 3/4 npsm(f) carbon steel	3
	63	191648 HOSE, 1 in. ID, 9 in. (X mm) long	1
	68	102473 CLAMP, hose	1
	69	191649 HOSE, 0.63 in. ID, 12 in. (X mm) long	1
	70	160032 NIPPLE, 3/4-14 npt(f)	1
	71	111337 TEE, street, 3/4-14 npt(f)	2
	72	191647 HOSE, coupled, 27 in.	1
	73	113671 ELBOW, 3/4-14 npt(f)	1
	108	191656 BRACKET, manifold	1
	109	106285 U-BOLT, grade 5, 2 x 1/4-20 unc-2a	1
	400	248422 MAIN BASE ASSEMBLY (includes items 401 to 438).	
	402	238787 RESERVOIR, hydraulic	1
	404	102040 NUT, lock, hex, grade 5, 1/4-20 unc-3b	12
	413	191634 GASKET, reservoir	1
	414	238818 COVER, reservoir	1
	415	107074 BREATHER	1
	416	178794 FILTER, fluid	1
	417	500054 BUSHING, hex hd, 1-11.5 npt(f) x 1-1/4-11.5 npt(m)	1
	418	100485 NIPPLE, pipe	1
	419	100474 COUPLING, pipe	1
	420	107067 PACKING, o-ring	1
	421	178750 FITTING, return, 1-11.5 npt(m) x 3/4-14 npt(f)	1
	422	105429 NUT, seal, grade 5	1
	423	160327 UNION, angle adapter, 3/4-14 npsm x 3/4-14 npt(f)	1
	424	106114 STRAINER, inlet	1
	426	104444 PACKING, o-ring	1
	427	104126 PLUG, boss	1
	429	100549 ELBOW, street, pipe, 90°	1
	430	107049 INSERT, hose, beaded	1
	431	107050 INSERT, hose, beaded	REF
	432	101353 NIPPLE, pipe	1
	433	103475 TEE, pipe, 1/2-14 npt(f)	1
	434	191650 HOSE, 0.63 in. ID, 14 in. (36 cm)	REF
	436	102473 CLAMP, hose	REF

Technical Data

Maximum Working Pressure

Paint	2000 psi (138 bar)
Hydraulics.	1500 psi (103 bar)
Glass bead system.	75 psi (5 bar)

Maximum Flow 2.5 gpm/pump @ 2000 psi (138 bar)

Operating Pressure of Air-actuated Trigger

Minimum.	50 psi (3 bar)
Maximum	200 psi (12 bar)

Sound Levels*

Sound power level	99.4 dB(A)
Sound pressure level	81.5 dB(A)

Weight (empty / full)

Engine.	Kohler® 18 HP
Fluid Connections.	1/4 npt(f) air inlets
Hydraulic Oil Reservoir Capacity	12 gallons (45 liters)
Glass Bead Capacity	300 lb (136 kg)
Wetted Parts	tungsten carbide, 303, 316 & 415 series stainless steel; PTFE, acetal homopolymer, leather

*Sound levels measured at 3.1 ft (1 m) under maximum operating conditions per ISO3744.

Kohler® is a registered trademark of the Kohler Co.

Graco Standard Warranty

Graco warrants all equipment referenced in this document which is manufactured by Graco and bearing its name to be free from defects in material and workmanship on the date of sale to the original purchaser for use. With the exception of any special, extended, or limited warranty published by Graco, Graco will, for a period of twelve months from the date of sale, repair or replace any part of the equipment determined by Graco to be defective. This warranty applies only when the equipment is installed, operated and maintained in accordance with Graco's written recommendations.

This warranty does not cover, and Graco shall not be liable for general wear and tear, or any malfunction, damage or wear caused by faulty installation, misapplication, abrasion, corrosion, inadequate or improper maintenance, negligence, accident, tampering, or substitution of non-Graco component parts. Nor shall Graco be liable for malfunction, damage or wear caused by the incompatibility of Graco equipment with structures, accessories, equipment or materials not supplied by Graco, or the improper design, manufacture, installation, operation or maintenance of structures, accessories, equipment or materials not supplied by Graco.

This warranty is conditioned upon the prepaid return of the equipment claimed to be defective to an authorized Graco distributor for verification of the claimed defect. If the claimed defect is verified, Graco will repair or replace free of charge any defective parts. The equipment will be returned to the original purchaser transportation prepaid. If inspection of the equipment does not disclose any defect in material or workmanship, repairs will be made at a reasonable charge, which charges may include the costs of parts, labor, and transportation.

THIS WARRANTY IS EXCLUSIVE, AND IS IN LIEU OF ANY OTHER WARRANTIES, EXPRESS OR IMPLIED, INCLUDING BUT NOT LIMITED TO WARRANTY OF MERCHANTABILITY OR WARRANTY OF FITNESS FOR A PARTICULAR PURPOSE.

Graco's sole obligation and buyer's sole remedy for any breach of warranty shall be as set forth above. The buyer agrees that no other remedy (including, but not limited to, incidental or consequential damages for lost profits, lost sales, injury to person or property, or any other incidental or consequential loss) shall be available. Any action for breach of warranty must be brought within two (2) years of the date of sale.

GRACO MAKES NO WARRANTY, AND DISCLAIMS ALL IMPLIED WARRANTIES OF MERCHANTABILITY AND FITNESS FOR A PARTICULAR PURPOSE, IN CONNECTION WITH ACCESSORIES, EQUIPMENT, MATERIALS OR COMPONENTS SOLD BUT NOT MANUFACTURED BY GRACO. These items sold, but not manufactured by Graco (such as electric motors, switches, hose, etc.), are subject to the warranty, if any, of their manufacturer. Graco will provide purchaser with reasonable assistance in making any claim for breach of these warranties.

In no event will Graco be liable for indirect, incidental, special or consequential damages resulting from Graco supplying equipment hereunder, or the furnishing, performance, or use of any products or other goods sold hereto, whether due to a breach of contract, breach of warranty, the negligence of Graco, or otherwise.

FOR GRACO CANADA CUSTOMERS

The Parties acknowledge that they have required that the present document, as well as all documents, notices and legal proceedings entered into, given or instituted pursuant hereto or relating directly or indirectly hereto, be drawn up in English. Les parties reconnaissent avoir convenu que la rédaction du présente document sera en Anglais, ainsi que tous documents, avis et procédures judiciaires exécutés, donnés ou intentés, à la suite de ou en rapport, directement ou indirectement, avec les procédures concernées.

Graco Information

TO PLACE AN ORDER, contact your Graco distributor or call to identify the nearest distributor. or call 1-800-690-2894 to identify the nearest distributor.

All written and visual data contained in this document reflects the latest product information available at the time of publication. Graco reserves the right to make changes at any time without notice.

Original instructions. This manual contains English. MM 310664

Graco Headquarters: Minneapolis

International Offices: Belgium, China, Japan, Korea

GRACO INC. AND SUBSIDIARIES • P.O. BOX 1441 • MINNEAPOLIS MN 55440-1441 • USA

Copyright 2004, Graco Inc. All Graco manufacturing locations are registered to ISO 9001.

www.graco.com
Revised 08/2011