

Double Drop Kit for RoadLazer™ RoadPak™ Line Striping System

3A1308B

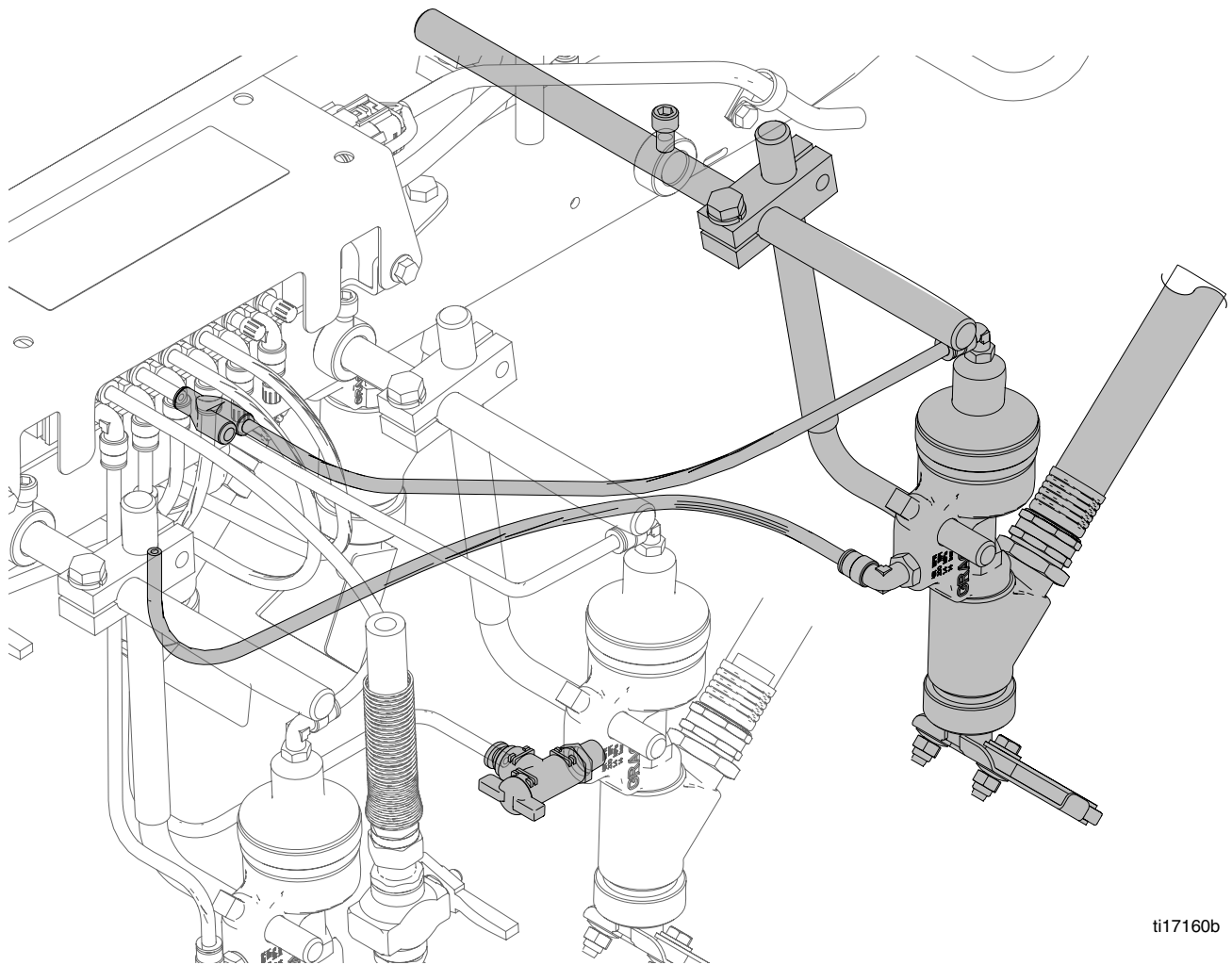
EN

Model 24G775



Important Safety Instructions

For complete warnings and safety instructions, see RoadLazer™ RoadPak™ Striping System manual. Save these instructions.



ti17160b

General Instructions

The following paragraphs provide instructions for installing the Double Drop Bead Kit components on the RoadPak Line Striper. Refer to **Parts** for part identification and **Schematics** for detail orientation and wiring. Index numbers with an A are kit parts. Other index numbers are parts for RoadPak.

Third Paint and Third Bead Guns

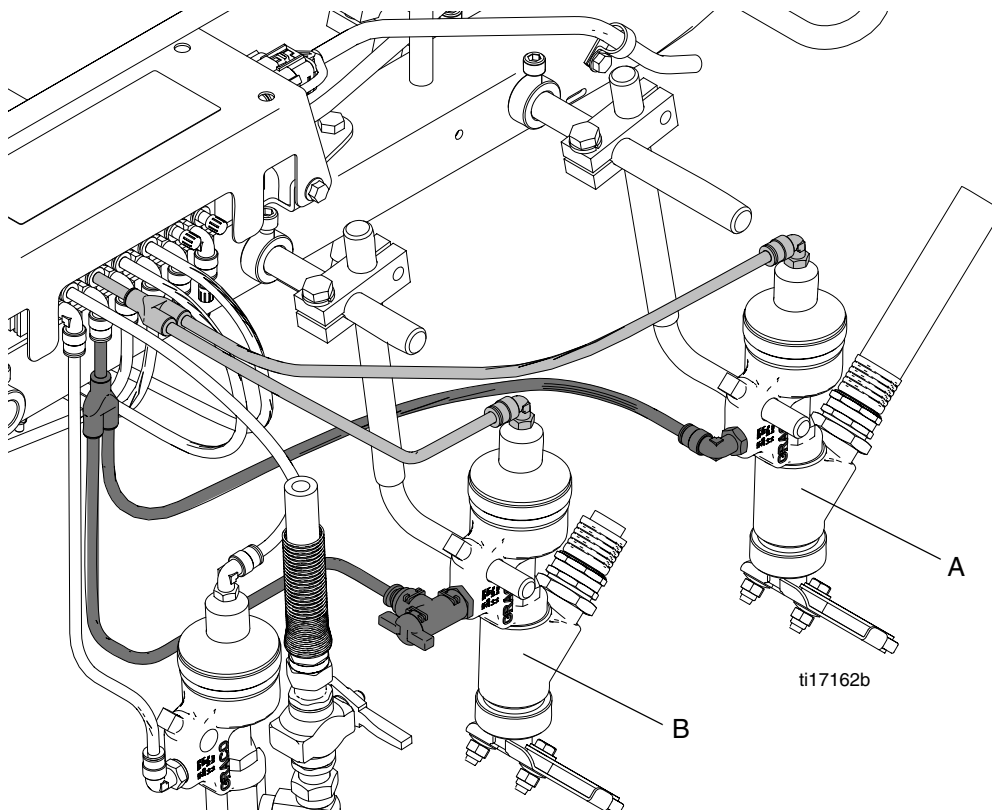
1. Install hose fitting (12) to bead gun (1).
2. Install new gun pivot arm (15) and secure.
3. Move existing bead gun to position B (as shown below) on new gun pivot arm.
4. Mount third bead gun (1) and mounting arm (08) on pivot arm A (shown below). Secure with arm support clamp (9) and attach screws (10) and washers (11).
5. Splice into existing bead air hose and install airline tee fitting. Cut 1/4 in. air hose (22) to desired length and install into fittings on bead gun. For air line connection, see illustration below.

Bead and Paint Hose

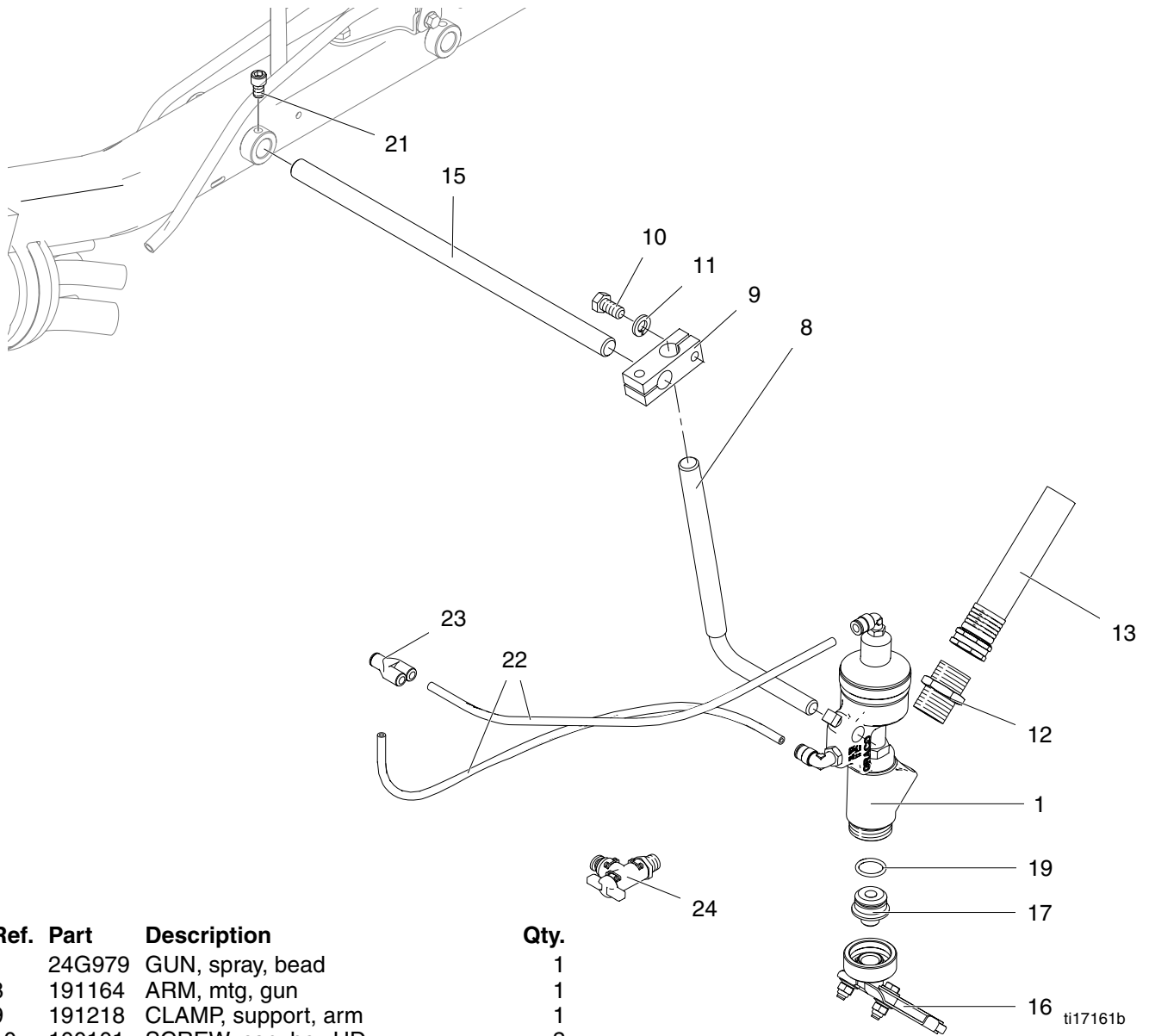
1. Unstrap and unclamp hose wrap so hose can be added to the bundle.
2. Route the bead hose through the bundle to the guns.
3. Connect the bead hose to the desired guns.
4. Strap the hose bundle and stretch hose wrap around hoses to keep them contained.
5. Clamp the hose bundle tightly on the gun arm to ensure hose bundle is secure. Maintain enough slack in the hoses to not strain the guns.
6. Install hose fitting to desired port in bead tank fitting.

Operation

1. Bead guns will actuate together when triggered by the solenoid.
2. For operation of only bead B, turn off ball valve on bead gun A.



Parts



Ref.	Part	Description	Qty.
1	24G979	GUN, spray, bead	1
8	191164	ARM, mtg, gun	1
9	191218	CLAMP, support, arm	1
10	100101	SCREW, cap, hex HD	2
11	100133	WASHER, lock, 3/8	2
12	111834	NIPPLE, pipe, hex	2
13	16G167	HOSE, bead, 3/4 in., clear	1
15	191163	ARM, pivot, gun narrow	1
	192214	ARM, pivot, gun wide (optional)	
16	24J173	DEFLECTOR, adjustable bead	1
17	238664	SEAT, valve	1
	238665	SEAT, valve	1
19	166702	PACKING, o-ring	2
21	116940	SCREW, cap, sh, 5/16-18	2
22	192215	HOSE, air, 1/4	1
23	115287	FITTING, Y tube	2
24	125206	VALVE, 1/4 in. pneumatic ball, elbow	1

Graco Standard Warranty

Graco warrants all equipment referenced in this document which is manufactured by Graco and bearing its name to be free from defects in material and workmanship on the date of sale to the original purchaser for use. With the exception of any special, extended, or limited warranty published by Graco, Graco will, for a period of twelve months from the date of sale, repair or replace any part of the equipment determined by Graco to be defective. This warranty applies only when the equipment is installed, operated and maintained in accordance with Graco's written recommendations.

This warranty does not cover, and Graco shall not be liable for general wear and tear, or any malfunction, damage or wear caused by faulty installation, misapplication, abrasion, corrosion, inadequate or improper maintenance, negligence, accident, tampering, or substitution of non-Graco component parts. Nor shall Graco be liable for malfunction, damage or wear caused by the incompatibility of Graco equipment with structures, accessories, equipment or materials not supplied by Graco, or the improper design, manufacture, installation, operation or maintenance of structures, accessories, equipment or materials not supplied by Graco.

This warranty is conditioned upon the prepaid return of the equipment claimed to be defective to an authorized Graco distributor for verification of the claimed defect. If the claimed defect is verified, Graco will repair or replace free of charge any defective parts. The equipment will be returned to the original purchaser transportation prepaid. If inspection of the equipment does not disclose any defect in material or workmanship, repairs will be made at a reasonable charge, which charges may include the costs of parts, labor, and transportation.

THIS WARRANTY IS EXCLUSIVE, AND IS IN LIEU OF ANY OTHER WARRANTIES, EXPRESS OR IMPLIED, INCLUDING BUT NOT LIMITED TO WARRANTY OF MERCHANTABILITY OR WARRANTY OF FITNESS FOR A PARTICULAR PURPOSE.

Graco's sole obligation and buyer's sole remedy for any breach of warranty shall be as set forth above. The buyer agrees that no other remedy (including, but not limited to, incidental or consequential damages for lost profits, lost sales, injury to person or property, or any other incidental or consequential loss) shall be available. Any action for breach of warranty must be brought within two (2) years of the date of sale.

GRACO MAKES NO WARRANTY, AND DISCLAIMS ALL IMPLIED WARRANTIES OF MERCHANTABILITY AND FITNESS FOR A PARTICULAR PURPOSE, IN CONNECTION WITH ACCESSORIES, EQUIPMENT, MATERIALS OR COMPONENTS SOLD BUT NOT MANUFACTURED BY GRACO. These items sold, but not manufactured by Graco (such as electric motors, switches, hose, etc.), are subject to the warranty, if any, of their manufacturer. Graco will provide purchaser with reasonable assistance in making any claim for breach of these warranties.

In no event will Graco be liable for indirect, incidental, special or consequential damages resulting from Graco supplying equipment hereunder, or the furnishing, performance, or use of any products or other goods sold hereto, whether due to a breach of contract, breach of warranty, the negligence of Graco, or otherwise.

FOR GRACO CANADA CUSTOMERS

The Parties acknowledge that they have required that the present document, as well as all documents, notices and legal proceedings entered into, given or instituted pursuant hereto or relating directly or indirectly hereto, be drawn up in English. Les parties reconnaissent avoir convenu que la rédaction du présente document sera en Anglais, ainsi que tous documents, avis et procédures judiciaires exécutés, donnés ou intentés, à la suite de ou en rapport, directement ou indirectement, avec les procédures concernées.

Graco Information

For the latest information about Graco products, visit www.graco.com.

TO PLACE AN ORDER, contact your Graco distributor or call 1-800-690-2894 to identify the nearest distributor.

All written and visual data contained in this document reflects the latest product information available at the time of publication. Graco reserves the right to make changes at any time without notice.

For patent information, see www.graco.com/patents

Original instructions. This manual contains English. MM 3A1308

Graco Headquarters: Minneapolis

International Offices: Belgium, China, Japan, Korea

GRACO INC. AND SUBSIDIARIES • P.O. BOX 1441 • MINNEAPOLIS MN 55440-1441 • USA

Copyright 2011, Graco Inc. All Graco manufacturing locations are registered to ISO 9001.

www.graco.com

Revised October 2012