

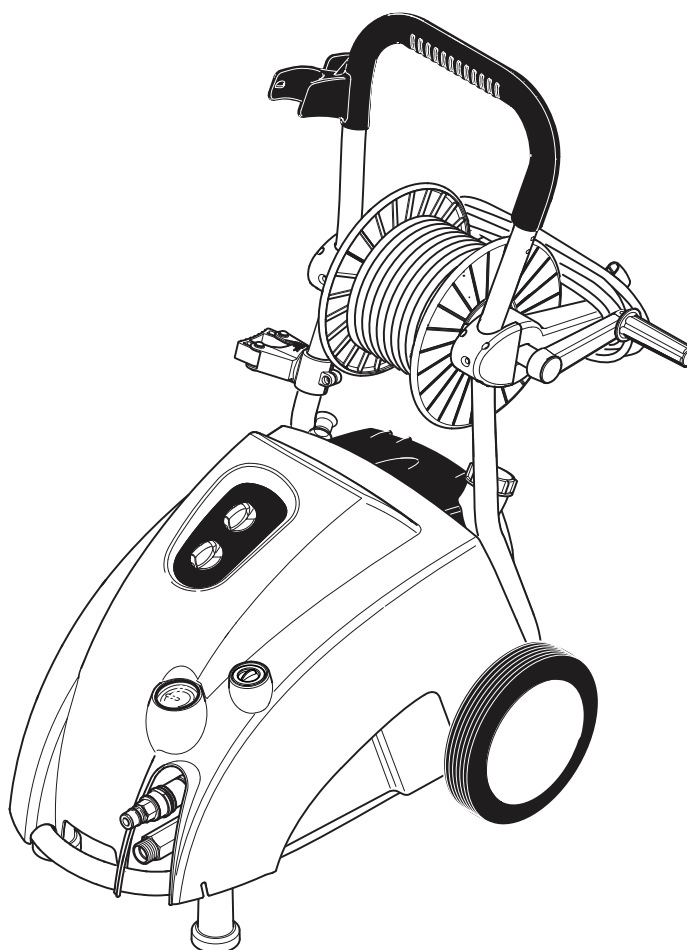
Spare Part List



AquaMax 3050E, Pressure Washer

3A1692A
ENG

-For high pressure water cleaning-



PROVEN QUALITY. LEADING TECHNOLOGY.

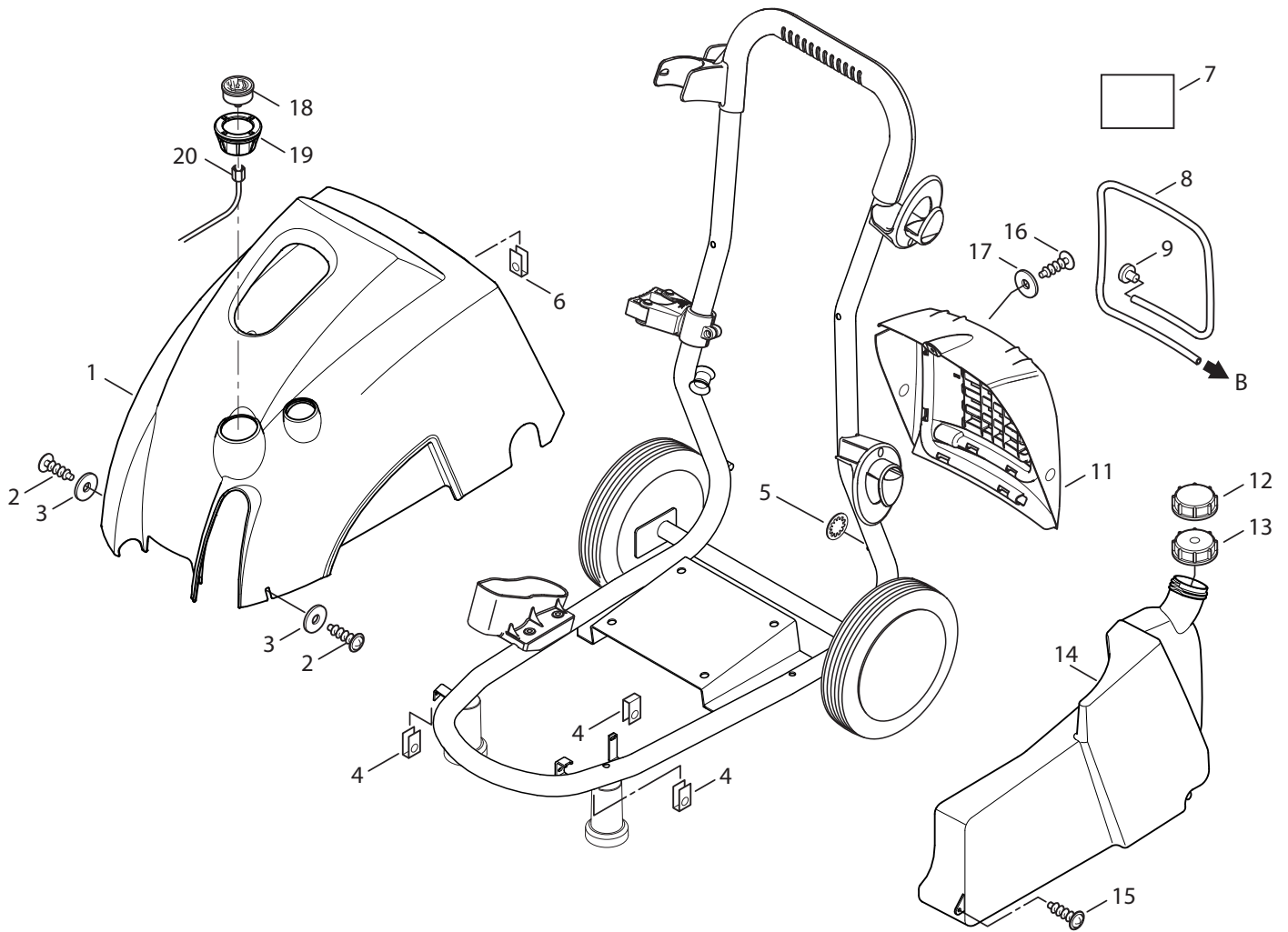


Table of Contents

AquaMax 3050 E

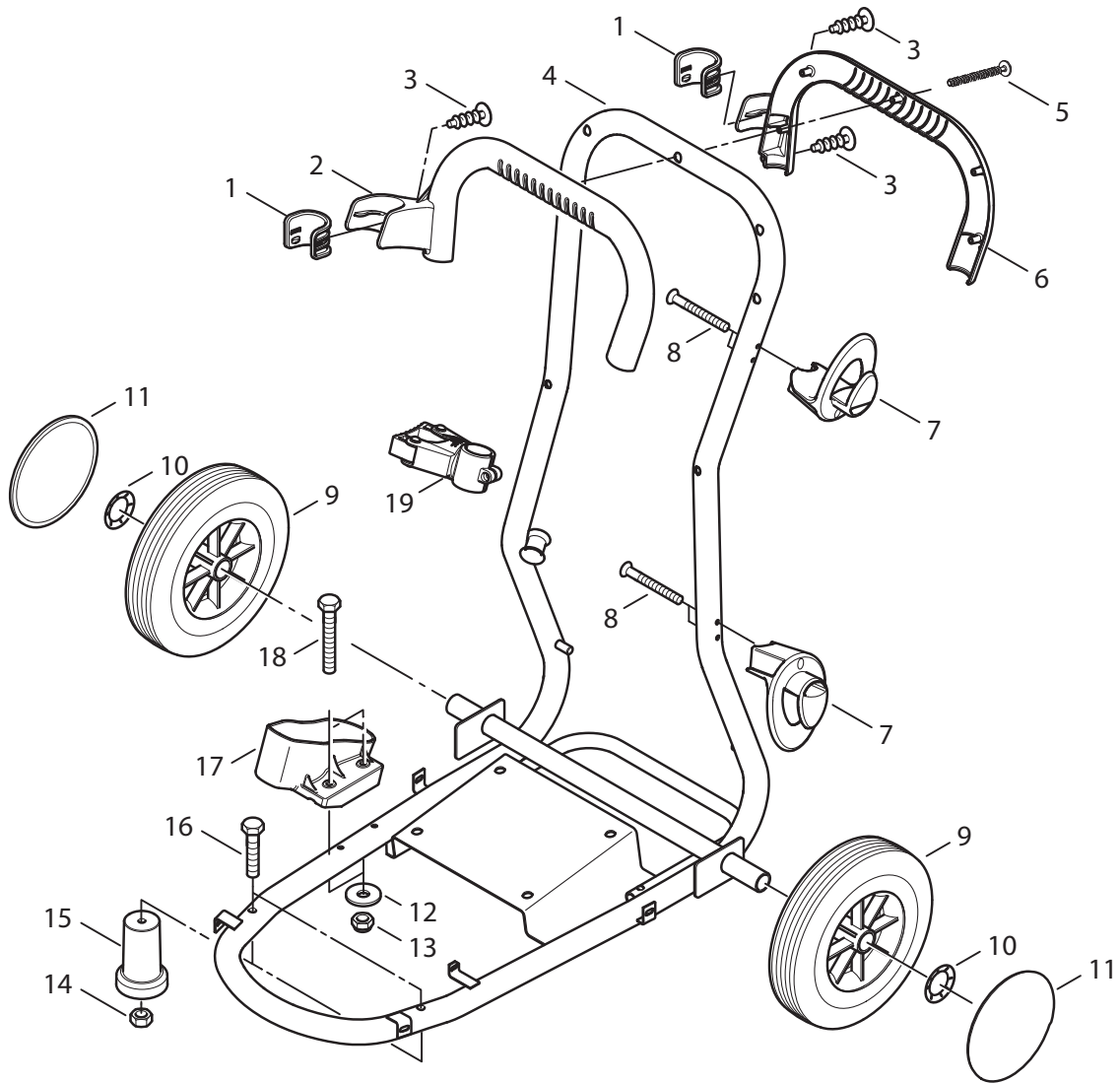
Cabinet	3
Frame	4
Motor pump	5
Cylinder head	7
Unloader	8
Electric box	9
Hose reel	11
VP Spray handle for 3050 E	13
Short rotary Lance	14
Adjustable Lance	15
Double Lance	16
RECOMMENDED SPARE PARTS	17

Cabinet



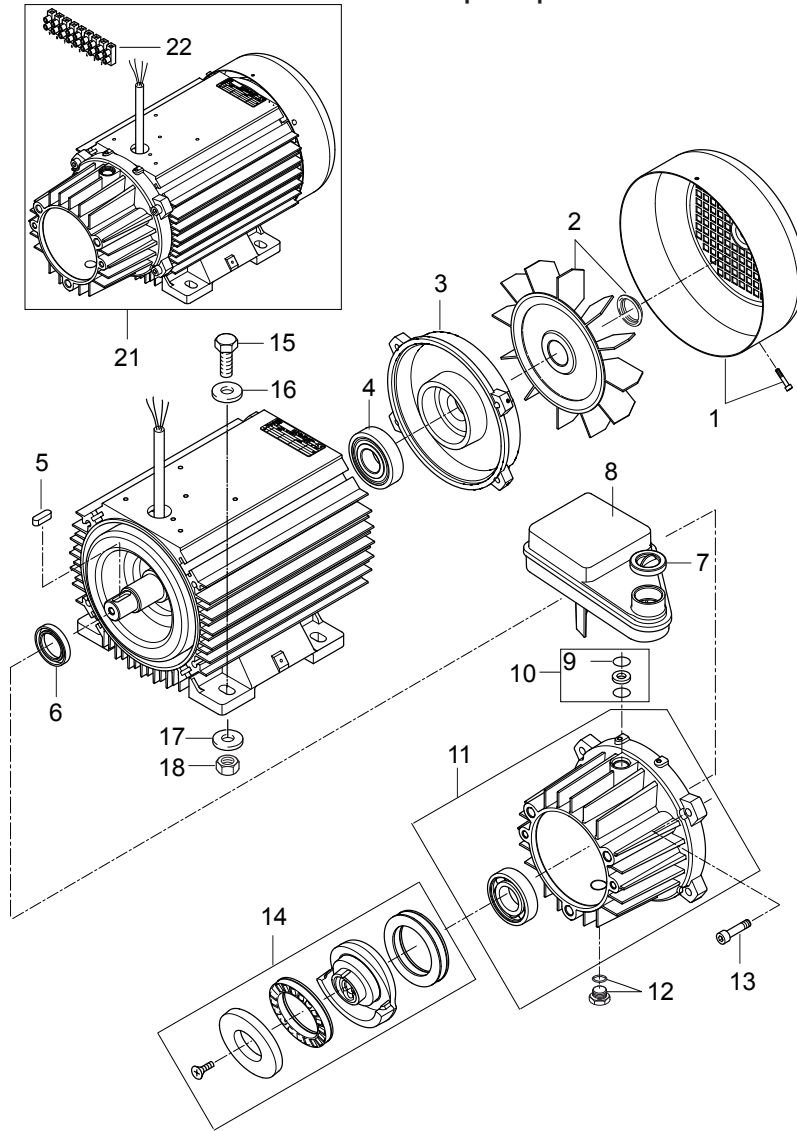
Pos.	No.	Description	Comment	AquaMax 3050
1	16J405	CABINET		1
2	16J036	SCREW 4.8X13		2
3	16J003	WASHER 5.3X1		2
4	16J045	SPRING NUT 4.8X3		3
5	16J011	CLAMPING RING 10X2		1
6	16J382	SPRING NUT 3.9X2.5		1
7	16J037	LABEL 40X60 G		1
8	16J075	HOSE 6/10		1
9	16J079	FILTER		1
11	16J229	REAR COVER F. MACHINES W/HOSE REEL		1
12	16J053	COVER-CAN 65X22		1
13	16J243	CLOSING CAP W.HOLE Ø65X22		1
14	16J311	DETERGENT TANK		1
15	16J036	SCREW 4.8X13		1
16	16J030	SHEET METAL SCREW 3.9X16		1
17	16J028	WASHER 4.3X1		1
18	16J083	MANOMETER 0-315 BAR WHITE		1
19	16J112	HOLDING RING F. PRESSURE GAUGE		1
20	16J163	MANOMETER TUBE CPL.		1

Frame



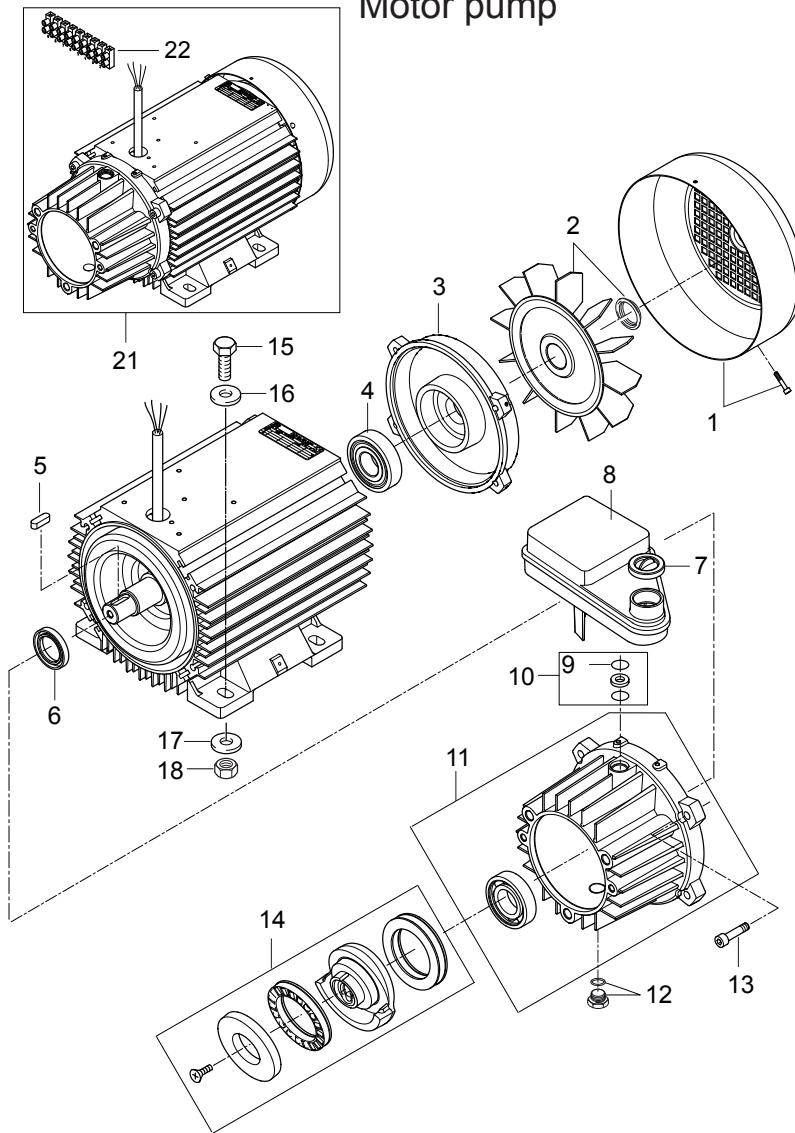
Pos.	No.	Description	Comment	AquaMax 3050
1	16J122	INSERT FOR HANDLE		2
2	16J119	FRONT HANDLE CLAMP		1
3	16J377	SCREW 4X12		3
4	16J309	BASE FRAME VERSION A		1
5	16J383	SCREW K40X25 T20 WN1452 BLACK-ZN		5
6	16J120	REAR HANDLE CLAMP		1
7	16J224	HOLDER 121X91X83 FOR HOSE W/O.CABEL PA		2
8	16J378	SCREW K50X50 T25 WN1453		4
9	16J241	WHEEL Ø250X75		2
10	16J060	SPRING PLATE WASHER		2
11	16J403	WHEEL CAP AQUAMAX		2
12	16J004	WASHER 6.4X1.6		2
13	16J017	HEX NUT M6 WITH PLASTIC RING ISO7042 A2K		2
14	16J040	HEXAGON NUT M8		2
15	16J240	SUSTAINER Ø62X94		2
16	16J002	SCREW M8X45		2
17	16J221	HOLDER 160X100X65 PA		1
18	16J023	HEXAGON HEAD CAP SCREW		2
19	16J404	LANCE SNAP F. AQUAMAX 3050 E		1

Motor pump

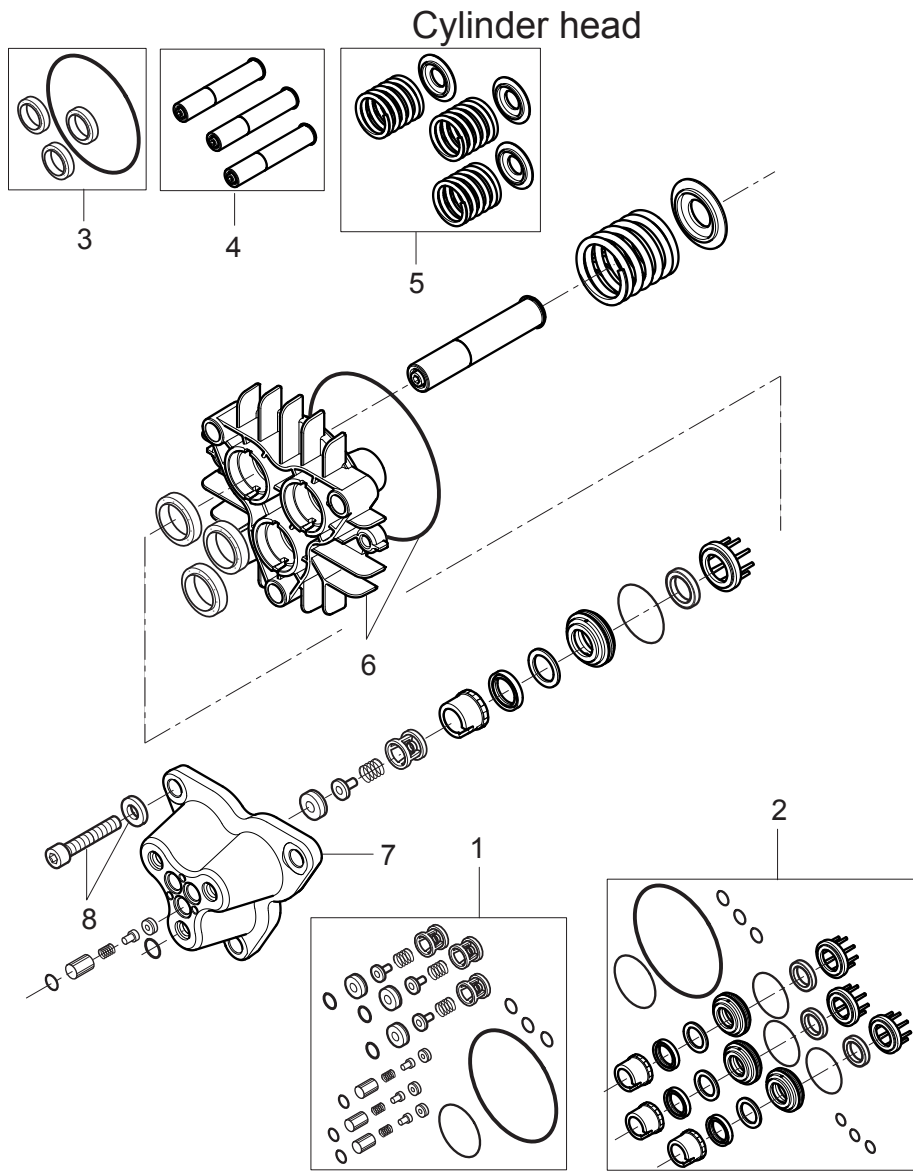


Pos.	No.	Description	Comment	AquaMax 3050
-	16J115	M/P 400V/50HZ		1
-	16J205	PUMP OIL NA5 1X1 LITER BOTTLE		1
1	16J188	FAN COVER RF	For EME Motor	1
1	16J189	FAN COVER - EME	For Redflag Motor	1
2	16J186	FAN W/LOCK RING - EME	For EME Motor	1
2	16J187	FAN W LOCK RING RF	For Redflag Motor	1
3	16J105	REAR BEARING COVER RF	For Redflag Motor	1
3	16J107	REAR BEARING COVER EME	For EME Motor	1
4	16J106	REAR BEARING RF	For Redflag Motor	1
4	16J108	REAR BEARING EME	For EME Motor	1
5	16J026	PARALLEL KEY A 8X7X25		1
6	16J393	OIL SEALING RING Ø30XØ47X7		1
7	16J371	CAP FOR OIL CAN		1
8	16J312	OIL CONTAINER		1
9	16J067	O-RING 16X2 NITRIL 70 SHORE		1
10	16J114	REP. KIT FOR OIL CONTAINER NA5		1
11	16J175	D-BEARING COVER KIT		1
12	16J195	OIL PLUG W/O-RING NA5 SPAREPART		1
13	16J202	SCREW KIT PUMP NA5		1
14	16J177	WOBBLE DISC 10.9 DEG. BEARING KIT NA5		1
15	16J034	SCREW M10X30		4

Motor pump

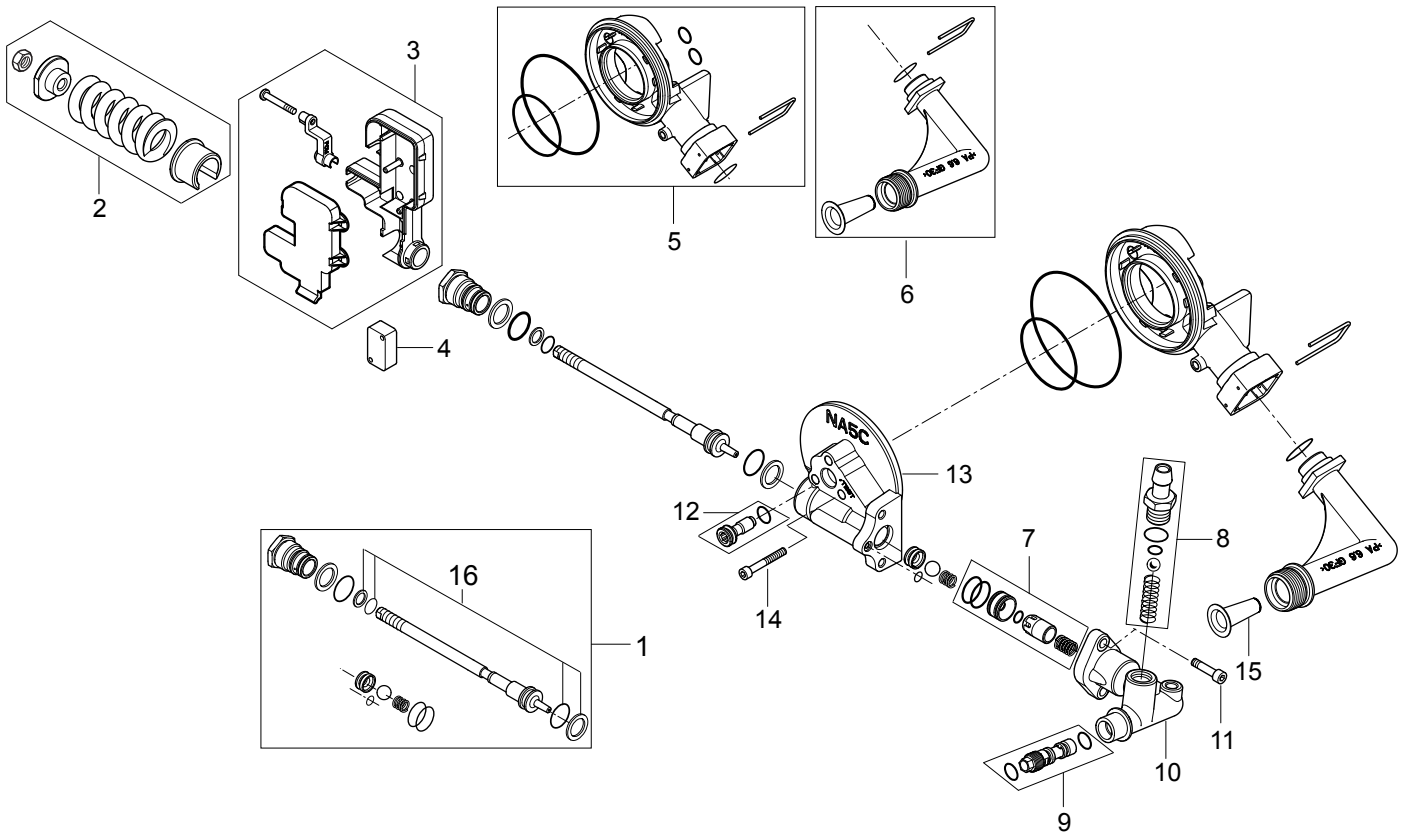


Pos.	No.	Description	Comment	AquaMax 3050
16	16J010	WASHER 10.5X2.5		4
17	16J005	WASHER 10.5X2		4
18	16J012	HEXAGON NUT M10		4
21	16J191	MOTOR 5.5 KW 220/230-400/440/3/50/60 EU		1
22	16J117	TERMINAL PLUG AND TERMINAL PINS		1



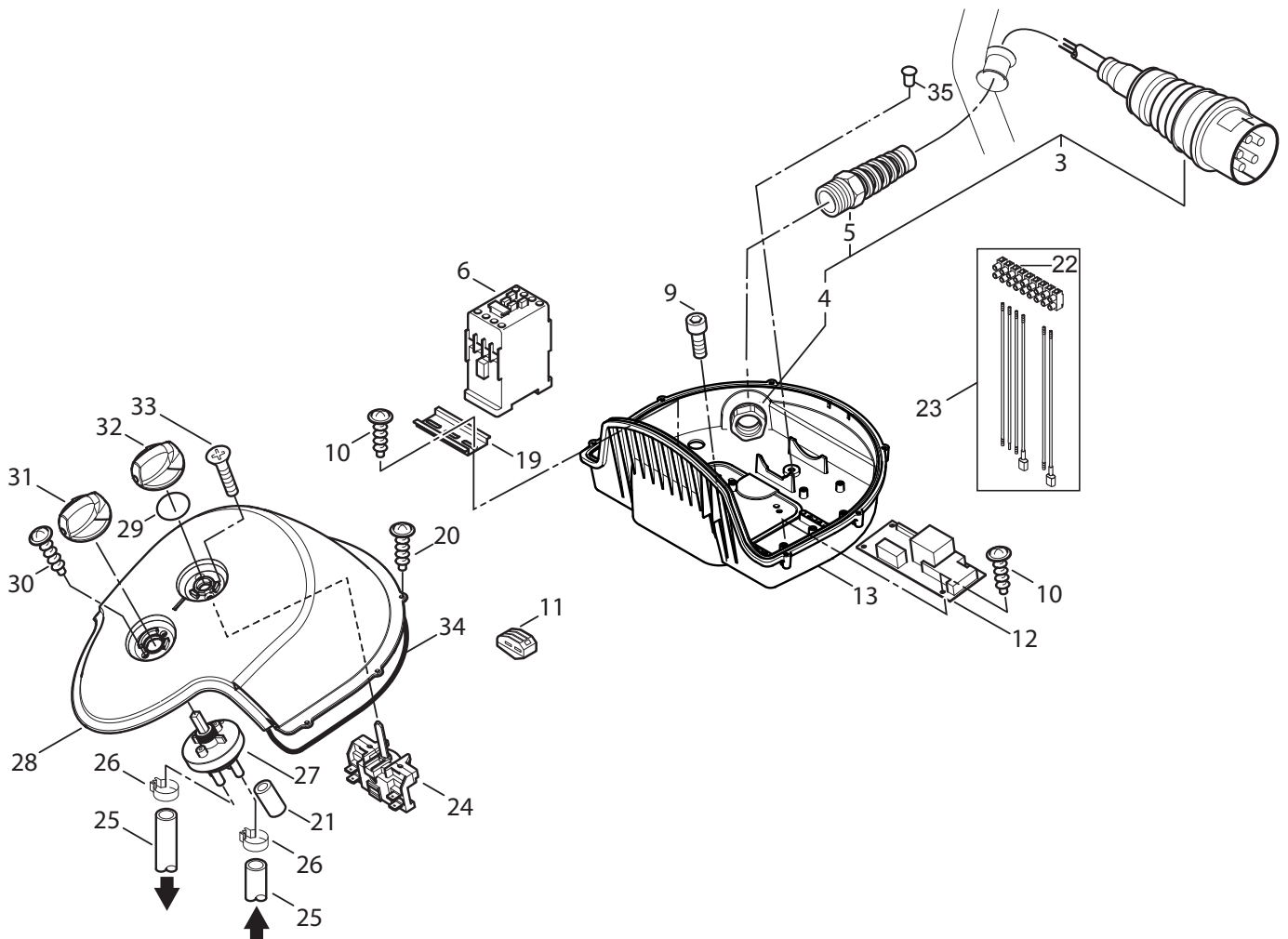
Pos.	No.	Description	Comment	AquaMax 3050
1	16J164	VALVE KIT - NA5		1
2	16J165	WATER SEAL KIT - NA5		1
3	16J166	OIL SEAL KIT - NA5		1
4	16J167	PISTON KIT - NA5		1
5	16J168	SPRING KIT - NA5		1
6	16J200	CYLINDER BLOCK W/O-RING NA5SPAREPART		1
7	16J199	CYLINDER HEAD NA5 SPAREPART		1
8	16J201	SCREW KIT CYLINDER HEAD NA5SPAREPART		1

Unloader



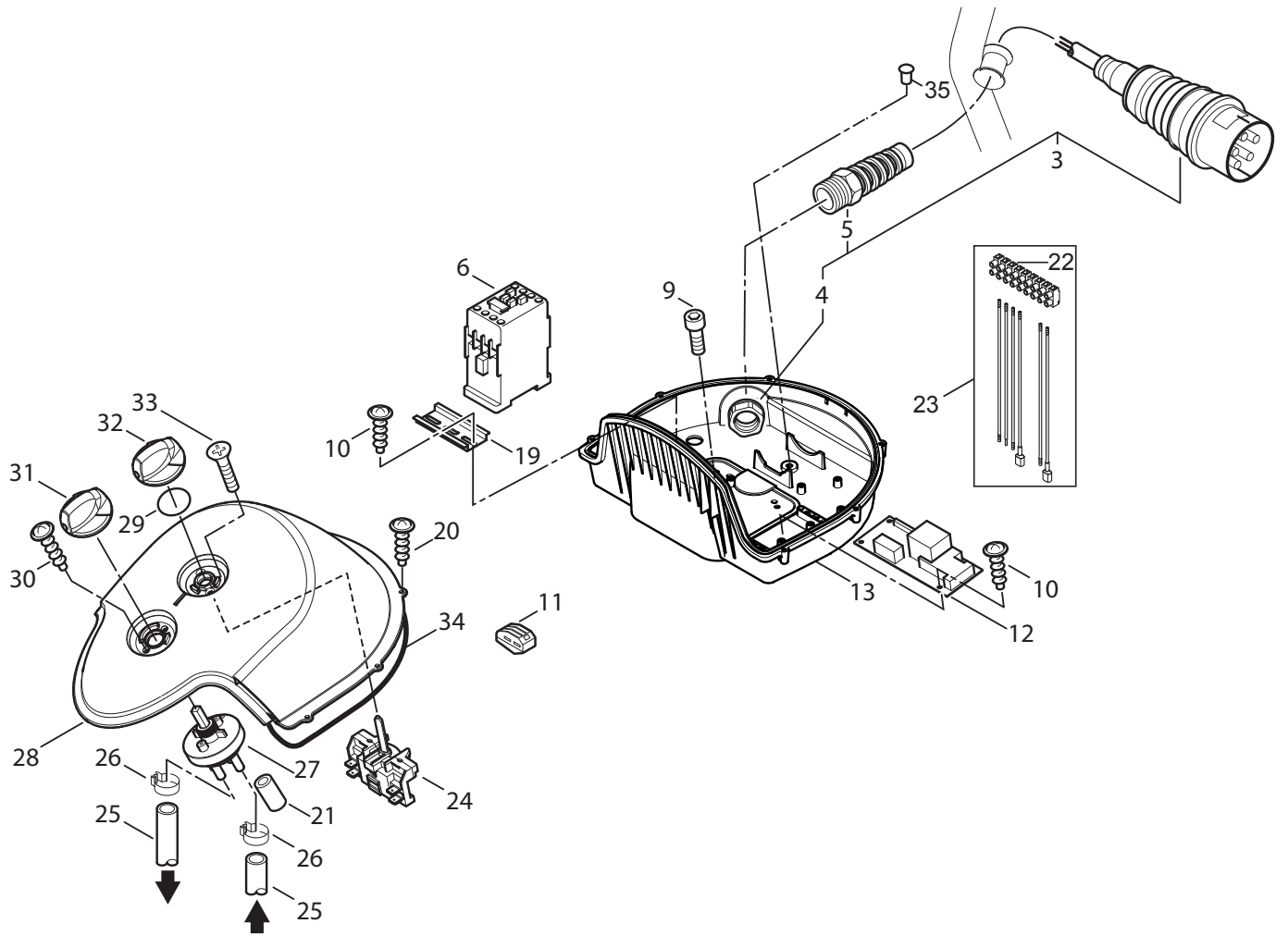
Pos.	No.	Description	Comment	AquaMax 3050
1	16J169	UNLOADER REP. KIT 1 - NA5		1
2	16J170	UNLOADER REP. KIT 2 - NA5		1
3	16J204	MICRO SWITCH CASING KIT		1
4	16J407	END SWITCH 250V 5A W.WIRE FSH/FS 6.3 KIT		1
4	16J299	MICRO-SWITCH		1
5	16J172	WATER INLET KIT 1 - NA5		1
6	16J173	WATER INLET KIT 2 - NA5		1
7	16J171	NON RETURN VALVE KIT - NA5		1
8	16J054	NON RETURN VALVE REP. KIT		1
9	16J174	INJECTOR - NA5		1
10	16J196	OUTLET FITTING NA5		1
11	16J202	SCREW KIT PUMP NA5		1
12	16J197	UNLOADER PLUG NA5		1
13	16J198	UNLOADER BODY NA5		1
14	16J202	SCREW KIT PUMP NA5		1
15	16J118	FILTER		1
16	16J207	UNLOADER REP. KIT 3 - NA5		1

Electric box



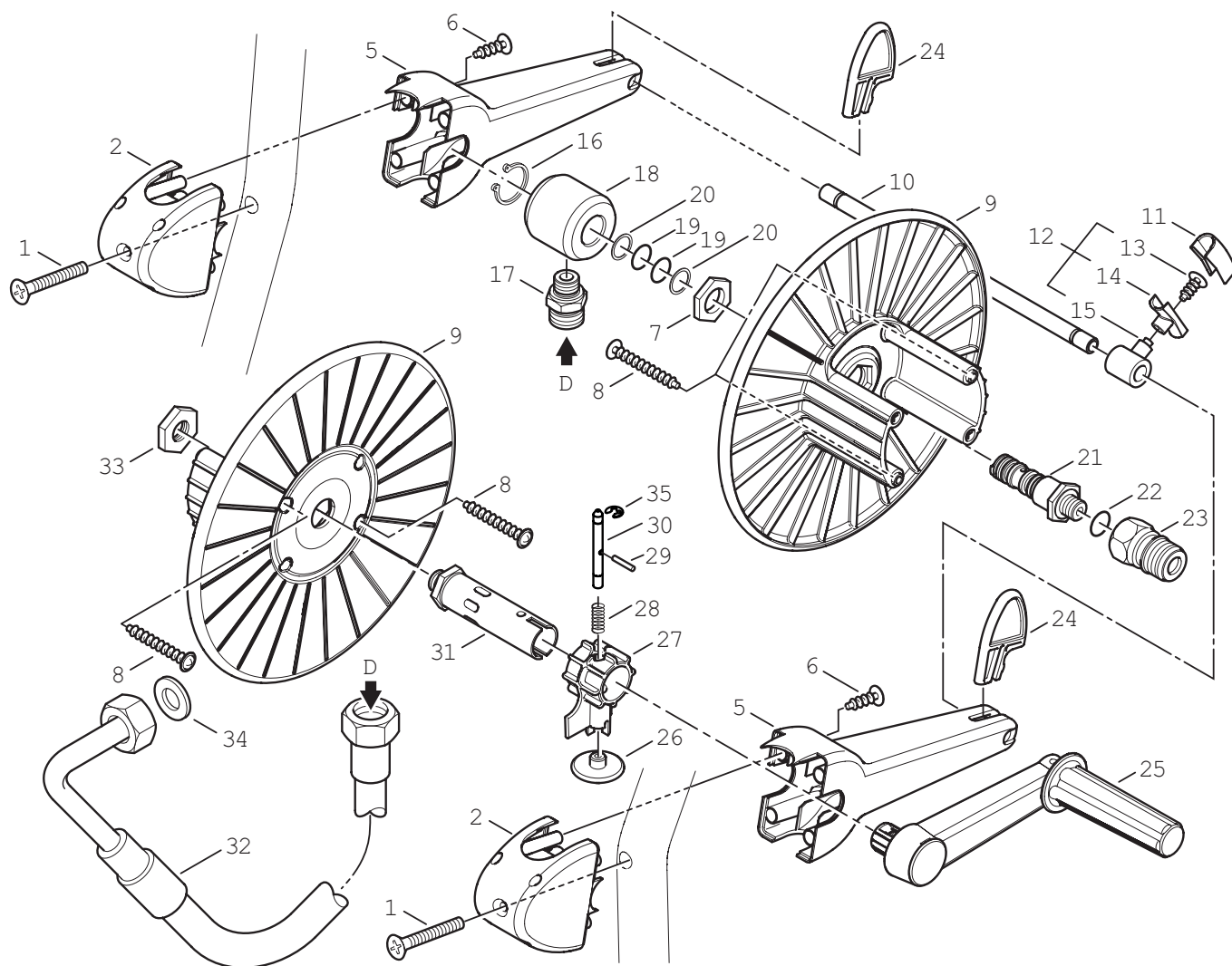
Pos.	No.	Description	Comment	AquaMax 3050
3	16J228	POWER CORD H07RN-F4G1.5X6		1
4	16J372	HEXAGON THIN NUT M20X1.5 EN 50262 PA		1
5	16J374	CABLE SCREWING W. ANTIBUC. M20X1.5		1
6	16J142	CONTACTOR CJX2-1810 N7 400V		1
9	16J032	SCREW M5X16		4
10	16J375	SCREW 4X8		2
11	16J257	SNAP-ON CLIP 3X4QMM 400V 24A GREY		1
12	16J254	ELECTRONICS F. COLD WATER W. MICROSWITCH		1
13	16J310	EL-BOX BASE		1
19	16J027	MOUNTING RAIL TS35 ST/ZN		1
20	16J061	PT-SCREW K30X12 WN1452 - BLACK TORX		6
22	16J117	TERMINAL PLUG AND TERMINAL PINS		1
23	16J406	CORD FOR MOTOR KIT		1
24	16J250	CAM SWITCH 0-1 10A 400VAC		1
25	16J075	HOSE 6/10		1
26	16J255	HOSE CLAMP 10/7		2
27	16J242	VALVE 51X70		1
28	16J220	EL-BOX COVER POSEIDON 5 PP		1
29	16J013	O RING DIA10X2,5		1
30	16J065	SCREW 30X10B		2
31	16J386	ROTARY KNOB GR.1 4KT. 6X6+8X8 BLUE		1

Electric box



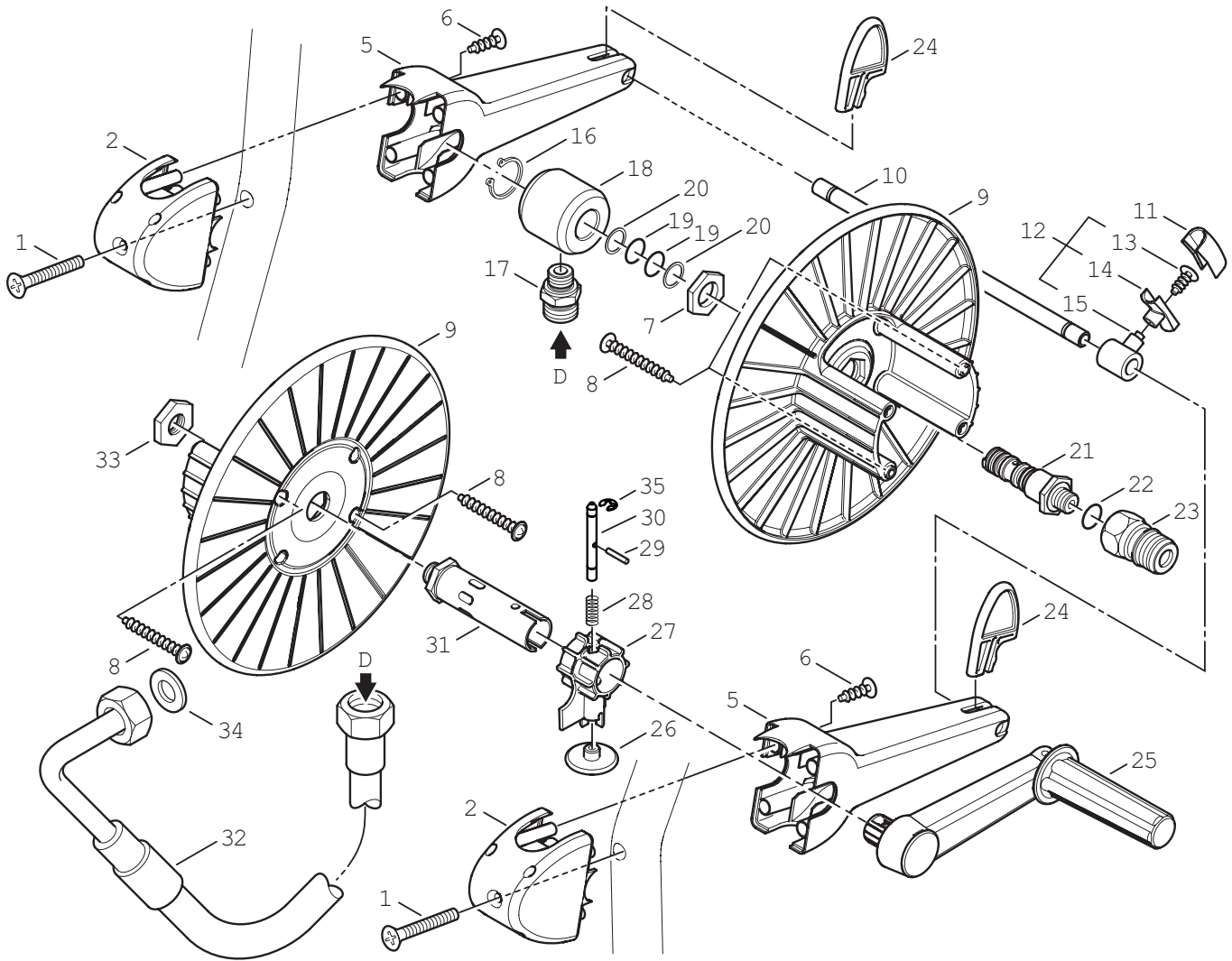
Pos.	No.	Description	Comment	AquaMax 3050
32	16J385	ROTARY KNOB 6X5 BLUE		1
33	16J024	COUNTERSUNK SCREW M4X12		2
34	16J136	SPONGE RUBBER 4 1M		1
35	16J256	PLUG Ø6XØ8X5.4 PE BLACK		1

Hose reel



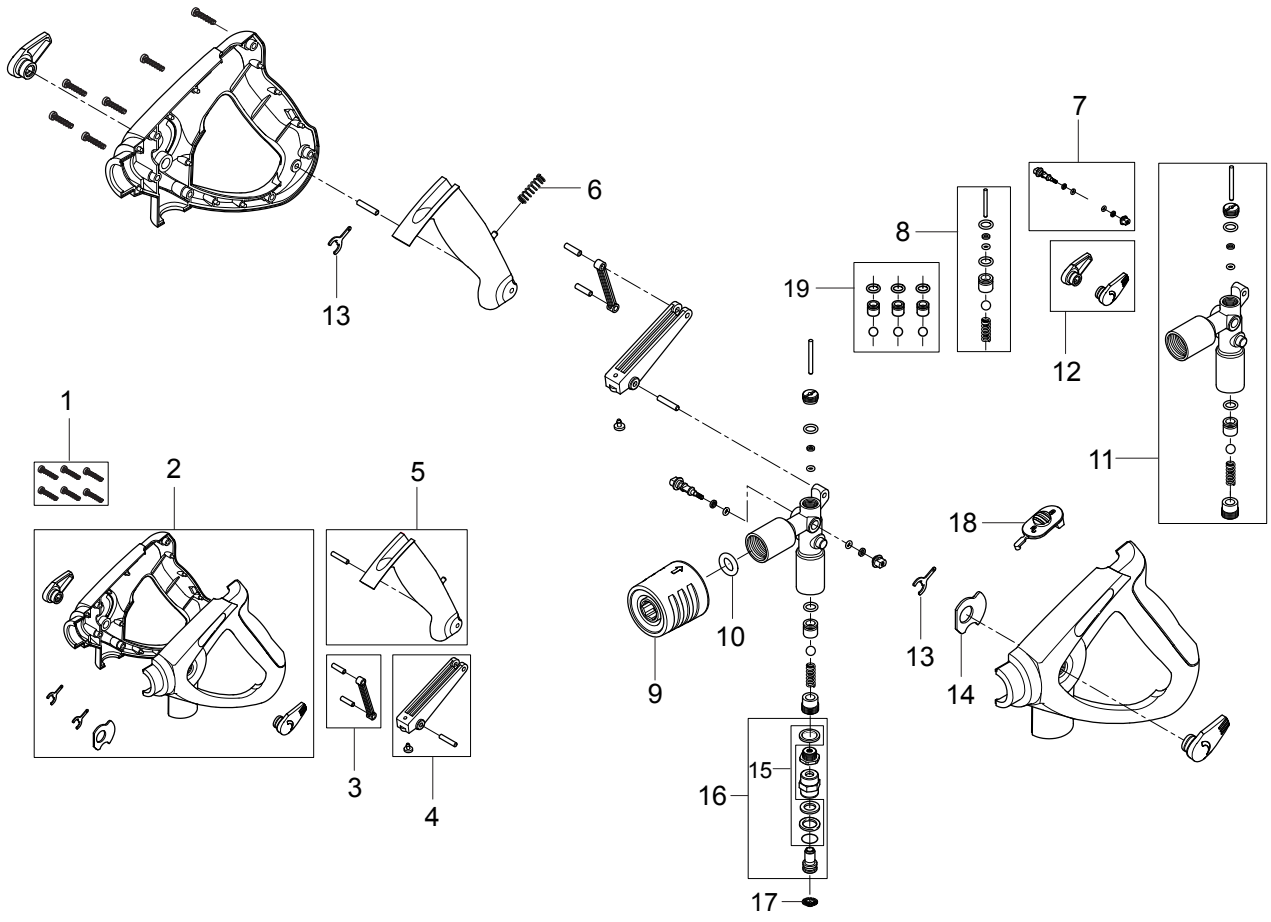
Pos.	No.	Description	Comment	AquaMax 3050
0	16J258	HOSE REEL KIT		1
1	16J381	SCREW M6X45 ISO 7047		2
2	16J225	BRACKET 106X94X60 F. HOSE REEL W. RECOIL		2
5	16J232	BRACKET 224X94X60 F. HOSE REEL W. RECOIL		2
6	16J064	SCREW SELF TAPPING 4.9X30		4
7	16J041	HEXAGON NUT M24X1.5X6		1
8	16J380	SCREW 6X40		4
9	16J222	HOSE DRUM SECTION		2
10	16J162	GUIDE PIPE Ø12X315		1
11	16J214	HOSE GUIDE SECTION - UPPER 70X31.7X28.5		1
12	16J223	HOSE GUIDE 70X40		1
13	16J014	SCREW 5X14		1
14	16J215	HOSE GUIDE SECTION LOWER		1
15	16J213	HOSE GUIDE SLEEVE 33,2X2		1
16	16J031	RETAINING RING 20X1.2		1
17	16J038	FITTING XGE12L 1/4NPT		1
18	16J239	BEARING BUSH		1
19	16J025	O-RING Ø 15.54X2.62		2
20	16J044	SUPPORTING RING Ø16.26X2.18		2
21	16J238	HOLLOW SCREW G3/8		1
22	16J057	PACKING RING Ø 23,8X Ø 17,2		1

Hose reel



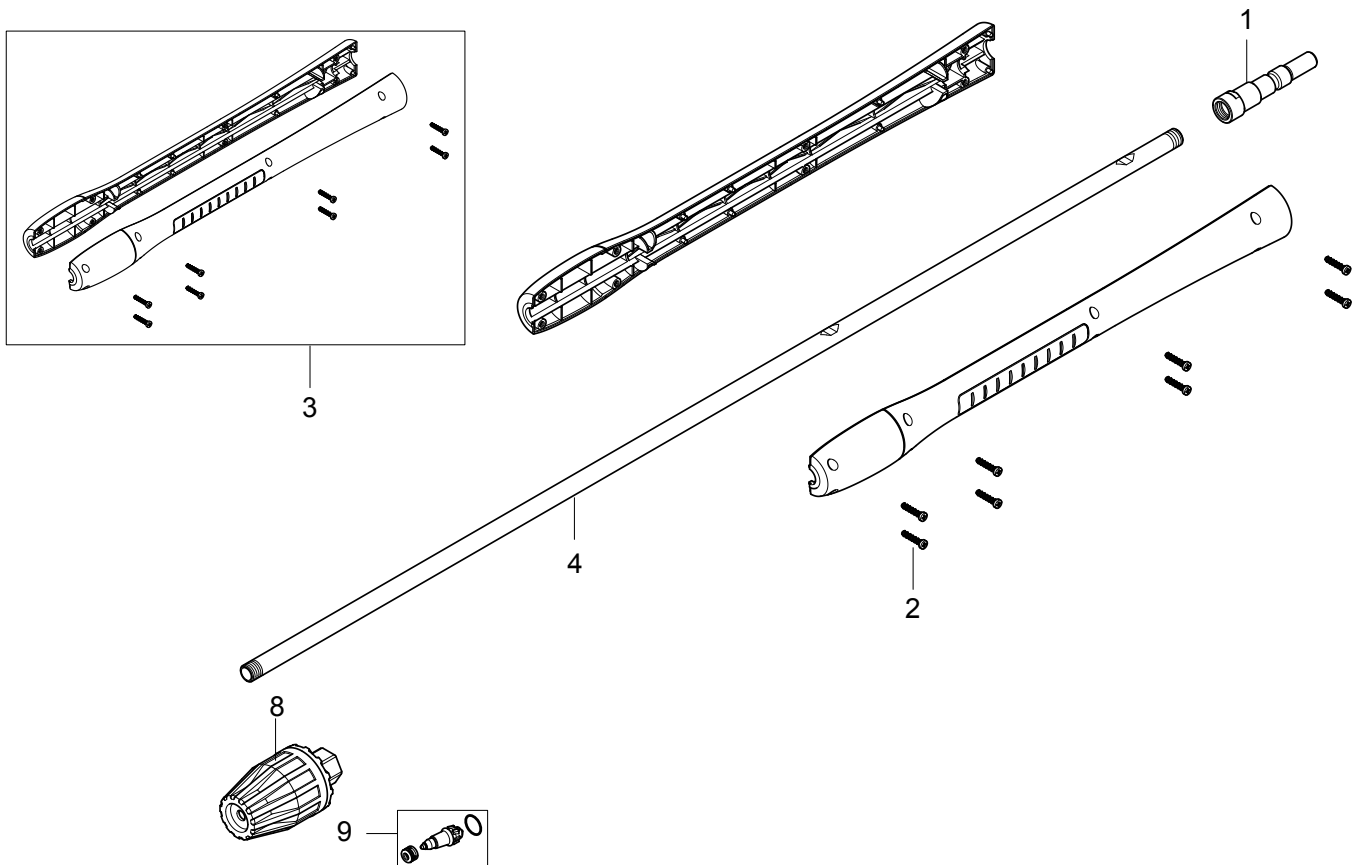
Pos.	No.	Description	Comment	AquaMax 3050
23	16J056	NIPPLE F. Q-COURL. 3/8IN HP		1
24	16J231	BRACKET 64X40X9 FOR CORD		2
25	16J218	CRANK 190X175X45		1
26	16J245	KNOB Ø40X18 M6		1
27	16J247	HOUSING		1
28	16J379	SPRING 1.0 X 9.0 X19		1
29	16J022	PIN 3X14		1
30	16J246	INDEXING BOLT Ø12X60		1
31	16J244	AXLE 28X116		1
32	16J252	HP HOSE 8X1175		1
33	16J376	HEXAGON NUT G 3/8X6		1
34	16J052	PACKING RING 8X15X1		1

VP Spray handle for 3050 E



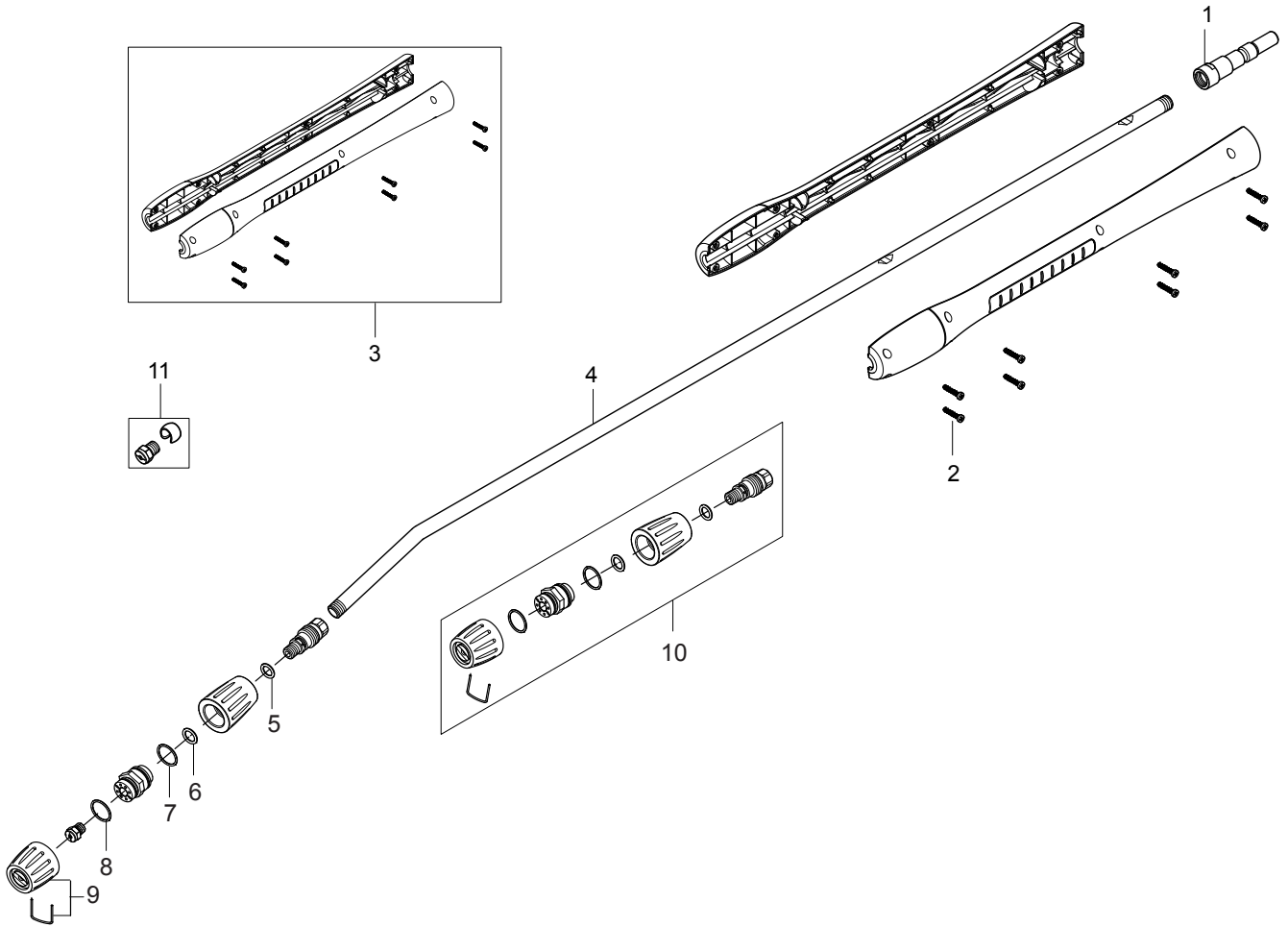
Pos.	No.	Description	Comment	AquaMax 3050
-	16J408	VP SPRAY HANDLE		1
1	16J094	TORX SCREW KIT		1
2	16J409	SHELL KIT 1 VP W/O LOGO		1
3	16J098	ARM FOR TRIGGER KIT		1
4	16J093	ROCKER ARM KIT		1
5	16J099	TRIGGER KIT		1
6	16J096	SPRING		1
7	16J289	GASKET KIT ERGO 1000 VAR		1
8	16J092	VALVE HOUSING GASKET KIT		1
9	16J104	BALL QUICK COUPLING		1
10	16J140	O-RING 11X4		1
11	16J109	VALVE HOUSING VP KIT		1
12	16J100	LEVER KIT VP BLUE		1
13	16J102	LOCK KIT 2 PCS		1
14	16J101	VP ADJ. WASHER		1
15	16J126	REP.KIT SEALS FOR SWIVEL JOINT		1
16	16J125	REP. KIT SWIVEL JOINT		1
17	16J138	FILTER FOR ERGO		1
18	16J103	TRIGGER LOCK		1
19	16J111	REDUCED VALVE SEAT KIT		1

Short rotary lance



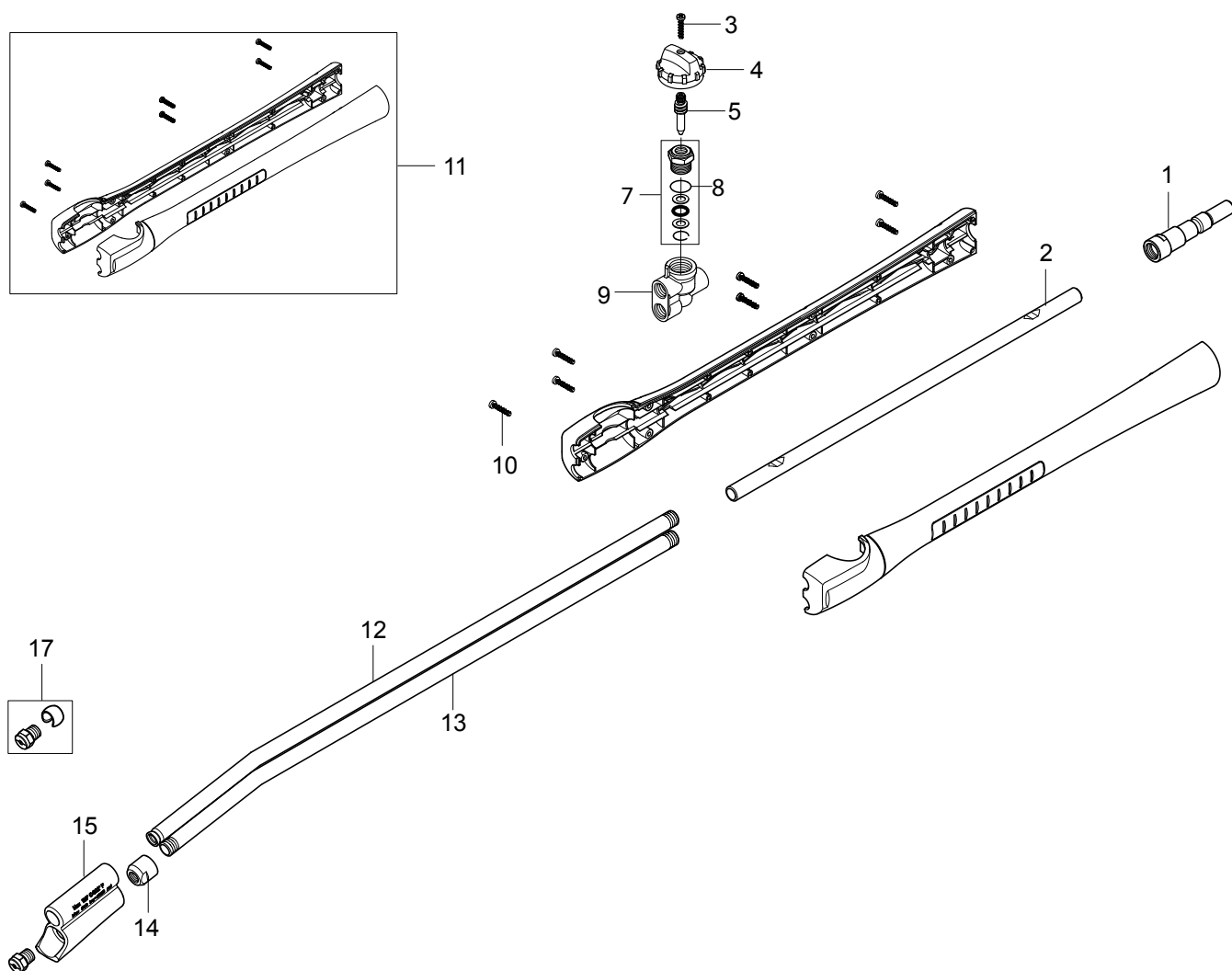
Pos.	No.	Description	Comment	AquaMax 3050
0	16J410	SHORT ROTARY LANCE		1
1	16J411	NIPPLE FOR SPRAY LANCE STAN.L		1
2	16J061	PT-SCREW K30X12 WN1452 - BLACK TORX		8
3	16J412	SHELL FOR SINGLE LANCE KIT		1
3	16J541	SHELL FOR SINGLE LANCE KIT - GREY		1
4	16J542	TUBE 500 MM STRAIGHT		1
8	16J543	TURBOHAMMER NOZZLE W11 050		1
9	16J544	REP. KIT TURBOHAMMER W11 050		1

Adjustable lance



Pos.	No.	Description	Comment	AquaMax 3050
-	16J154	ADJUSTABLE LANCE 990 BEND W/O NOZ.		1
-	16J545	ADJUSTABLE LANCE 960 BEND W/O NOZZLE		1
1	16J546	NIPPLE FOR SPRAY LANCE STANLESS		1
2	16J061	PT-SCREW K30X12 WN1452 - BLACK TORX		8
3	16J547	SHELL FOR SINGLE LANCE KIT		1
4	16J548	HP-TUBE BENT D13L920 SS		1
4	16J549	HP-TUBE BENT D13L890 SS		1
5	16J550	O-RING 10,77X2,62 ARP		1
6	16J551	O-RING 11,92 X 2,62		1
7	16J552	O-RING Ø 20,35X1,78		1
8	16J553	O-RING 1,78X18,77		1
9	16J554	NOZZLE CAP AND LOCK		1
10	16J555	FLEXOPOWER NOZZLEHEAD 1/4 INS.THREAD		1
11	16J130	NOZZLE 0500 INDICATION RING YELLOW		1

Double lance



Pos.	No.	Description	Comment	AquaMax 3050
-	16J157	DOUBLE LANCE 1120 BEND W/O NOZZLE		1
1	16J556	NIPPLE FOR SPRAY LANCE STAINLESS		1
2	16J557	SUPPLYER TUBE KIT F. LANCE		1
3	16J558	SCREW Ø3X10 TORX DIN 7985		1
4	16J559	TURN BOTTOM F. LANCE KIT		1
5	16J560	SPINDLE FOR LANCE		1
7	16J561	KIT GASKETS		1
8	16J562	O-RING 14.1X1.6 NITRIL 70SH		1
9	16J563	HOUS F.SEAT LANCE		1
10	16J061	PT-SCREW K30X12 WN1452 - BLACK TORX		7
11	16J564	SHELL FOR DOUBLE LANCE KIT		1
12	16J565	TUBE LP W. NOZZLE F. LANCE L 1040		1
13	16J566	HIGH PRESSURE TUBE 104CM		1
14	16J567	ADAPTOR 1/8 NPSM-1/4		1
15	16J568	NOZZLE PROTECTION F. DOUBLE LANCE		1
17	16J130	NOZZLE 0500 INDICATION RING YELLOW		1

RECOMMENDED SPARE PARTS

No.	Description
16J114	REP. KIT FOR OIL CONTAINER NA5
16J118	FILTER
16J119	FRONT HANDLE CLAMP
16J120	REAR HANDLE CLAMP
16J122	INSERT FOR HANDLE
16J125	REP. KIT SWIVEL JOINT
16J126	REP.KIT SEALS FOR SWIVEL JOINT
16J138	FILTER FOR ERGO
16J140	O-RING 11X4
16J569	ERGO COUPLING FEMALE 3/8
16J164	VALVE KIT - NA5
16J165	WATER SEAL KIT - NA5
16J166	OIL SEAL KIT - NA5
16J167	PISTON KIT - NA5
16J168	SPRING KIT - NA5
16J169	UNLOADER REP. KIT 1 - NA5
16J170	UNLOADER REP. KIT 2 - NA5
16J171	NON RETURN VALVE KIT - NA5
16J172	WATER INLET KIT 1 - NA5
16J173	WATER INLET KIT 2 - NA5
16J174	INJECTOR - NA5
16J175	D-BEARING COVER KIT
16J177	WOBBLE DISC 10.9 DEG. BEARING KIT NA5
16J186	FAN W/LOCK RING - EME
16J187	FAN W LOCK RING RF
16J195	OIL PLUG W/O-RING NA5 SPAREPART
16J196	OUTLET FITTING NA5
16J197	UNLOADER PLUG NA5
16J198	UNLOADER BODY NA5
16J199	CYLINDER HEAD NA5 SPAREPART
16J200	CYLINDER BLOCK W/O-RING NA5SPAREPART
16J202	SCREW KIT PUMP NA5
16J204	MICRO SWITCH CASING KIT
16J207	UNLOADER REP. KIT 3 - NA5
16J570	O-RINGS F. QUICK COUPLING KIT
16J054	NON RETURN VALVE REP. KIT
16J056	NIPPLE F. Q-COUPL. 3/8IN HP
16J022	PIN 3X14
16J057	PACKING RING Ø 23,8X Ø 17,2
16J059	LOCK WASHER
16J060	SPRING PLATE WASHER
16J025	O-RING Ø 15.54X2.62
16J224	HOLDER 121X91X83 FOR HOSE W/O.CABEL PA
16J238	HOLLOW SCREW G3/8
16J242	VALVE 51X70
16J244	AXLE 28X116

RECOMMENDED SPARE PARTS

No.	Description
16J246	INDEXING BOLT Ø12X60
16J247	HOUSING
16J250	CAM SWITCH 0-1 10A 400VAC
16J289	GASKET KIT ERGO 1000 VAR
16J299	MICRO-SWITCH
16J092	VALVE HOUSING GASKET KIT
16J093	ROCKER ARM KIT
16J094	TORX SCREW KIT
16J096	SPRING
16J097	HOUSING KIT
16J098	ARM FOR TRIGGER KIT
16J099	TRIGGER KIT
16J100	LEVER KIT VP BLUE
16J101	VP ADJ. WASHER
16J102	LOCK KIT 2 PCS
16J103	TRIGGER LOCK
16J104	BALL QUICK COUPLING ALTO
16J109	VALVE HOUSING VP KIT
16J111	REDUCED VALVE SEAT KIT
16J075	HOSE 6/10
16J044	SUPPORTING RING Ø16.26X2.18
16J079	FILTER
16J083	MANOMETER 0-315 BAR WHITE
16J379	SPRING 1.0 X 9.0 X19
16J385	ROTARY KNOB 6X5 BLUE
16J386	ROTARY KNOB GR.1 4KT. 6X6+8X8 BLUE
16J393	OIL SEALING RING Ø30XØ47X7
16J409	SHELL KIT 1 VP W/O LOGO

Graco Standard Warranty

Graco warrants all equipment referenced in this document which is manufactured by Graco and bearing its name to be free from defects in material and workmanship on the date of sale to the original purchaser for use. With the exception of any special, extended, or limited warranty published by Graco, Graco will, for a period of twelve months from the date of sale, repair or replace any part of the equipment determined by Graco to be defective. This warranty applies only when the equipment is installed, operated and maintained in accordance with Graco's written recommendations.

This warranty does not cover, and Graco shall not be liable for general wear and tear, or any malfunction, damage or wear caused by faulty installation, misapplication, abrasion, corrosion, inadequate or improper maintenance, negligence, accident, tampering, or substitution of non-Graco component parts. Nor shall Graco be liable for malfunction, damage or wear caused by the incompatibility of Graco equipment with structures, accessories, equipment or materials not supplied by Graco, or the improper design, manufacture, installation, operation or maintenance of structures, accessories, equipment or materials not supplied by Graco.

This warranty is conditioned upon the prepaid return of the equipment claimed to be defective to an authorized Graco distributor for verification of the claimed defect. If the claimed defect is verified, Graco will repair or replace free of charge any defective parts. The equipment will be returned to the original purchaser transportation prepaid. If inspection of the equipment does not disclose any defect in material or workmanship, repairs will be made at a reasonable charge, which charges may include the costs of parts, labor, and transportation.

THIS WARRANTY IS EXCLUSIVE, AND IS IN LIEU OF ANY OTHER WARRANTIES, EXPRESS OR IMPLIED, INCLUDING BUT NOT LIMITED TO WARRANTY OF MERCHANTABILITY OR WARRANTY OF FITNESS FOR A PARTICULAR PURPOSE.

Graco's sole obligation and buyer's sole remedy for any breach of warranty shall be as set forth above. The buyer agrees that no other remedy (including, but not limited to, incidental or consequential damages for lost profits, lost sales, injury to person or property, or any other incidental or consequential loss) shall be available. Any action for breach of warranty must be brought within two (2) years of the date of sale.

GRACO MAKES NO WARRANTY, AND DISCLAIMS ALL IMPLIED WARRANTIES OF MERCHANTABILITY AND FITNESS FOR A PARTICULAR PURPOSE, IN CONNECTION WITH ACCESSORIES, EQUIPMENT, MATERIALS OR COMPONENTS SOLD BUT NOT MANUFACTURED BY GRACO.

These items sold, but not manufactured by Graco (such as electric motors, switches, hose, etc.), are subject to the warranty, if any, of their manufacturer. Graco will provide purchaser with reasonable assistance in making any claim for breach of these warranties.

In no event will Graco be liable for indirect, incidental, special or consequential damages resulting from Graco supplying equipment hereunder, or the furnishing, performance, or use of any products or other goods sold hereto, whether due to a breach of contract, breach of warranty, the negligence of Graco, or otherwise.

**Graco reserves the right to make changes at any time without notice.
Original instructions. This spare part manual contains English. 3A1692A
Graco Headquarters: Minneapolis
International Offices: Belgium, China, Japan, Korea
GRACO INC. P.O. BOX 1441 MINNEAPOLIS, MN 55440-1441
www.graco.com**