

# Repair Parts for XP Xtreme™ 90cc Lower

406992B

EN



### Important Safety Instructions

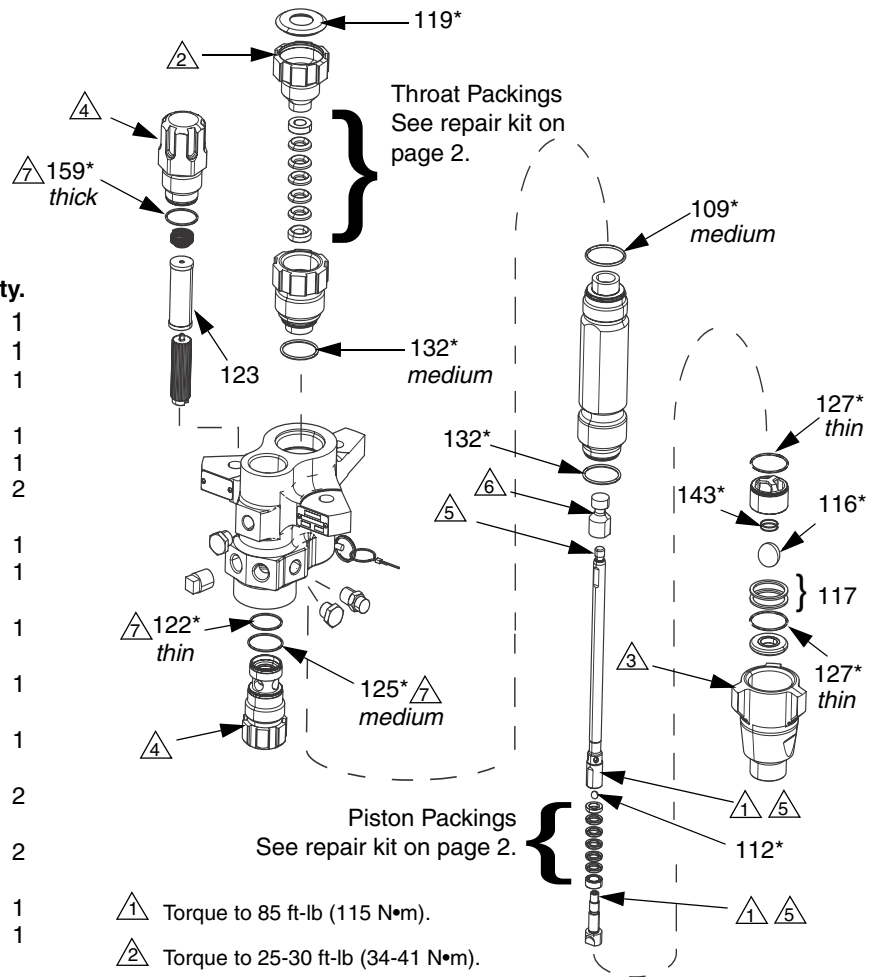
Read all warnings and instructions in manual 311762. Save those instructions.

## 262776 X-Tuff® Seal Repair Kit

### Bulk Pack Replacement Parts

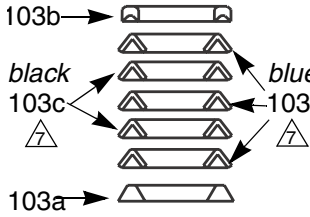
Ref.	Part	Description	Qty.
103*	---	THROAT PACKINGS	1
104*	---	PISTON PACKINGS	1
109*	288067	O-RING, PTFE, top cylinder (10/pack)	1
112*	288065	BALL, piston, (3/pack)	1
116*	244899	BALL, inlet, (3/pack)	1
117	288064	SHIM, inlet, ball guide (9/pack)	2
119*	247393	PLUG, throat seal (10/pack)	1
122*	244895	O-RING, filter; thin, PTFE (10/pack)	1
123	224458	STRAINER, 30 mesh screen (2/pack)	1
	238436	STRAINER, 30 mesh screen (25/pack)	1
125*	262484	O-RING, filter; medium, PTFE (10/pack)	1
127*	288068	O-RING, foot valve; PTFE (10/pack)	2
132*	262512	O-RING, PTFE; cartridge and cylinder bottom	2
143*	124007	SPRING, foot valve	1
159*	262483	O-RING, filter, thick; PTFE (10 pack)	1

\* Included in Seal Repair Kits.

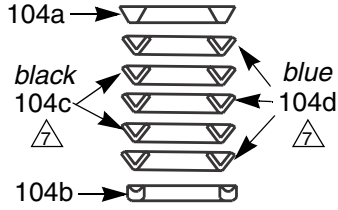



# X-Tuff® Seal Repair Kit 262776

## Throat Packings: Lips Face Down



## Piston Packings: Lips Face Up



 Lubricate packings.

Ref.	Part	Description	Qty.
103a	262759	GLAND, male, throat (4 pack)	1
103b	262758	GLAND, female, throat (4 pack)	1
103c	262763	V-PACKING, carbon-filled PTFE, throat (10 pack)	2
103d	262762	V-PACKING, UHMWPE, throat (10 pack)	3
104a	262761	GLAND, male, piston (4 pack)	1
104b	262760	GLAND, female, piston (4 pack)	1
104c	262765	V-PACKING, carbon-filled PTFE, piston (10 pack)	2
104d	262764	V-PACKING, UHMWPE, piston (10 pack)	3

*All written and visual data contained in this document reflects the latest product information available at the time of publication. Graco reserves the right to make changes at any time without notice.*

*For patent information, see [www.graco.com/patents](http://www.graco.com/patents).*

*Original instructions. This manual contains English. MM 406992*

**Graco Headquarters:** Minneapolis  
**International Offices:** Belgium, China, Japan, Korea

**GRACO INC. AND SUBSIDIARIES • P.O. BOX 1441 • MINNEAPOLIS MN 55440-1441 • USA**  
**Copyright 2012, Graco Inc. All Graco manufacturing locations are registered to ISO 9001.**

[www.graco.com](http://www.graco.com)  
 Revised 21 May 2012