

Wheel Kit

332736A

EN

For relocating the Reactor[®] 2 proportioning system.

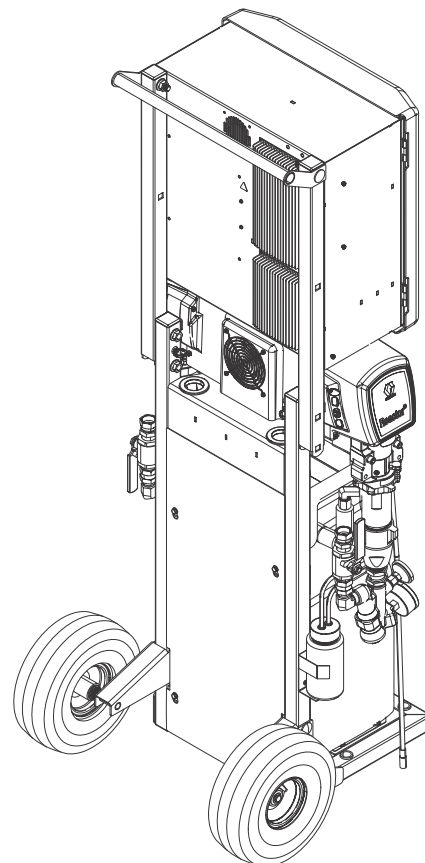
Not for use in explosive atmospheres.



Important Safety Instructions

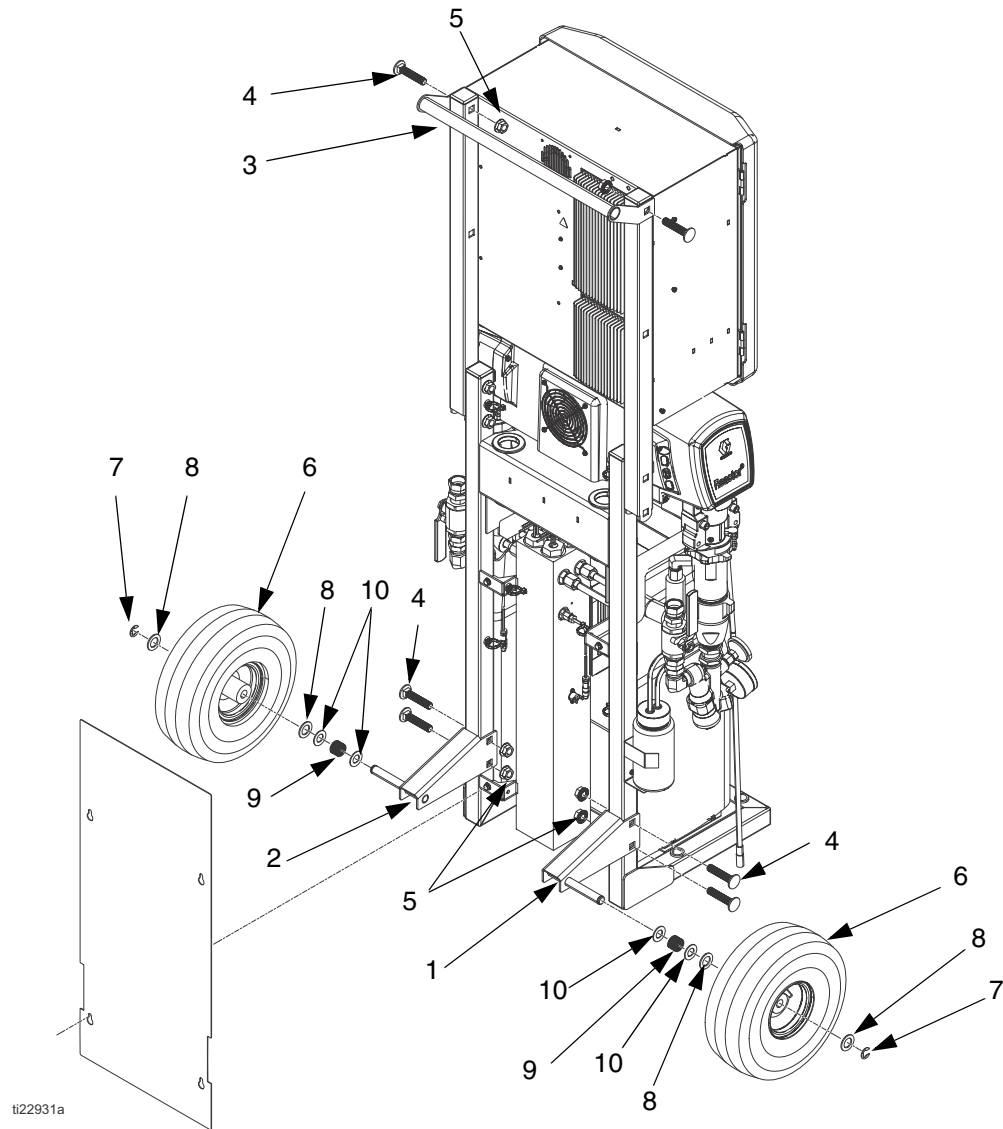
Read all warnings and instructions in this manual and the Reactor operation and repair manuals. Save these instructions.

Kit 24U314



ti22930a

Parts



Ref.	Part No	Description	Qty.	Ref.	Part No	Description	Qty.
1	24V221	BRACKET, left, axle	1	6	116478	WHEEL, pneumatic	2
2	24V219	BRACKET, right, axle	1	7	101242	RING, retaining, ext.	2
3	24V222	HANDLE, cart	1	8	116477	WASHER, flat, nylon	4
4	127276	BOLT, carriage, 1/2-13 x 2.5 l	6	9	116411	SPRING, compression	2
5	112731	NUT, hex, flanged	6	10	154636	WASHER, flat	4

All written and visual data contained in this document reflects the latest product information available at the time of publication. Graco reserves the right to make changes at any time without notice.

For patent information, see www.graco.com/patents.

Original instructions. This manual contains English. MM 332736

Graco Headquarters: Minneapolis
International Offices: Belgium, China, Japan, Korea

GRACO INC. AND SUBSIDIARIES • P.O. BOX 1441 • MINNEAPOLIS MN 55440-1441 • USA

Copyright 2014, Graco Inc. All Graco manufacturing locations are registered to ISO 9001.

www.graco.com