

Bottom Feed Fittings Kit for RoadLazer™ RoadPak™ Line Striping System

3A1653A

ENG

- For use with waterborne paints -

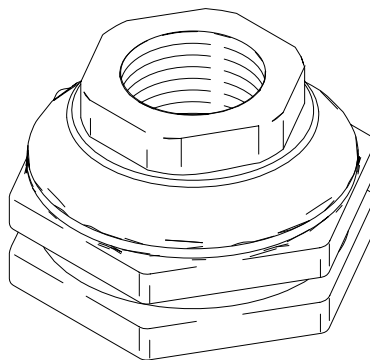
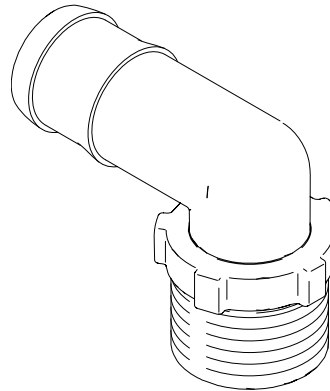
Model 24J149

75 psi (0.5 MPa, 5 bar) Maximum Working Pressure



Important Safety Instructions

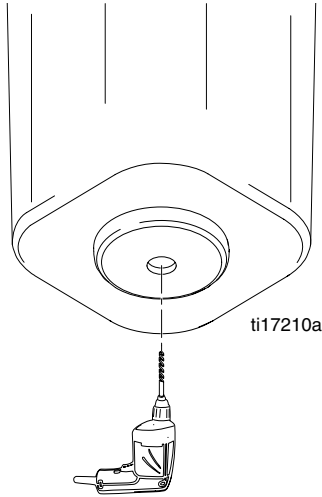
For complete warnings and safety instructions see RoadLazer™
RoadPak™ Line Striper System manual. Save these instructions.



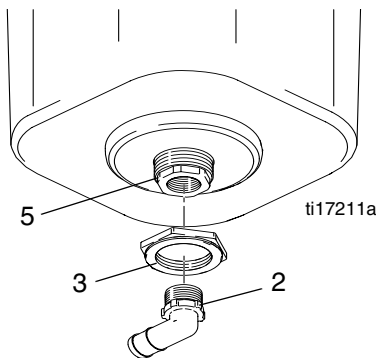
ti17198a

Installation

1. Drill a 3 in. hole in the bottom of the tank that the bottom feed fittings are being installed into.

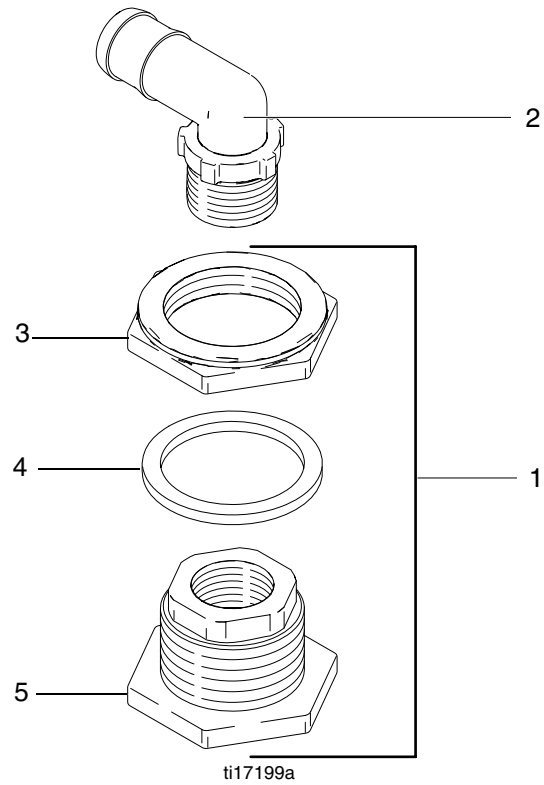


2. Assemble gasket (4) to fitting (5) and insert through 3 in. hole as shown below.



3. Tighten nut (3) to securely fasten the fittings to the tank. Screw in barbed fitting (2) to (5). **NOTE:** Be sure to install fitting (2) aimed in desired direction.
4. Assemble 1.5 in. ID hose to barbed fitting and secure with a clamp.

Parts



Ref.	Part	Description	Qty.
1	125141	FITTING, thru-wall blkhd, 1-1/2 in.	1
2	125142	FITTING, 90 elbow, 1-1/2 in. x barb	1
3	125145	NUT, 1-1/2 in. poly tank flange	1
4	125143	GASKET, 3 in., fkm	1
5	125144	BODY, 1-1/2 in. poly tank flange	1

All written and visual data contained in this document reflects the latest product information available at the time of publication. Graco reserves the right to make changes at any time without notice.

Original instructions. This manual contains English. MM 3A1653

Graco Headquarters: Minneapolis
International Offices: Belgium, China, Japan, Korea
GRACO INC. P.O. BOX 1441 MINNEAPOLIS, MN 55440-1441

Copyright 2010, Graco Inc. is registered to ISO 9001
 www.graco.com
 Revision A - 04/2011