

Instructions – Parts List



238944 AND 239692

Hitch Receiver Kits

308670G

For Towing Road Lazer™ Line Striper Guidance Systems.

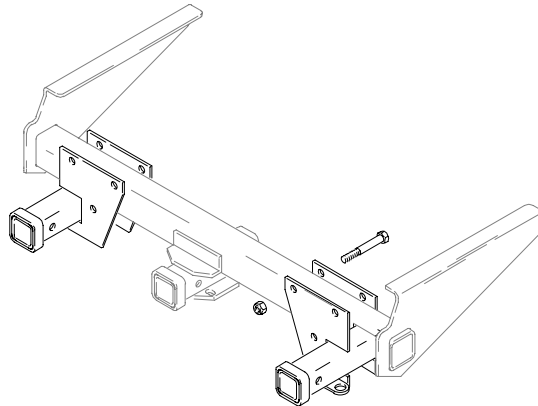
Part No. 238944 Straight Hitch Receiver Kit

Part No. 239692 Angled Hitch Receiver Kit

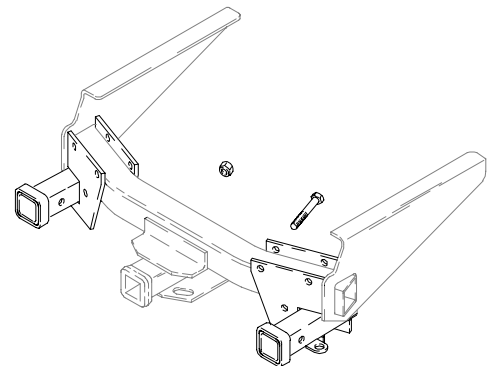


Important Safety Instructions

Read all warnings and instructions in this manual.
Save these instructions.



238944 Straight Hitch Receiver Kit



239692 Angled Hitch Receiver Kit



WARNING

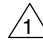

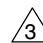
TO REDUCE THE RISK OF EQUIPMENT DAMAGE OR INJURY:

- Tow *vehicle* must have minimum rated payload capacity of 1400 lbs.
- Tow *hitch* must have minimum rated capacity of 7500 lbs gross trailer weight (GTW).
- Clamp-on hitch receivers (3, 4) are designed to mount on hitches with 3 in. x 3 in. square cross tubes.
- Use Draw-Tite Class IV Ultra-Frame hitch which has both a 7500 lbs GTW and 3 in. x 3 in. square cross tube. It is recommended by Graco for towing the Road-Lazer (reference Draw-Tite part no. series 419-XXX). Custom installation may be required for some vehicles.
- Contact your nearest DRAW-TITE[®] dealer for custom installation.
- Use only Graco supplied hardware when mounting hitch receiver kit.
- Clamp-on hitch receivers (3, 4) are to be used for towing Graco double-hitch equipment only. Do not tow any other kind of equipment with these receivers.
- Use 2 in. ball mount with shank 1 in. diameter or larger.

FAILURE TO FOLLOW THIS WARNING CAN RESULT IN SERIOUS INJURY.

Hitch Receiver Kit: 238944

Installation Instructions for Hitch Kit 238944 (straight cross tube)

- 1  Torque to 220–240 ft-lbs (298–325 N•m)
- 2  DRAW-TITE® Class IV Ultra-Frame tow hitch is not included
- 3  Cross tubes must be 3 ft. x 3 ft. square

Ref No.	Part No.	Description	Qty.
1	113665	SCREW, cap, hex head, grade 8; 5/8–11 unc–2a; 4.5 in. (114 mm)	6
2	113980	NUT, lock, hex, grade 8; 5/8–11 unc–2b	6
3	238678	HITCH RECEIVER, left	1
4	238677	HITCH RECEIVER, right	1

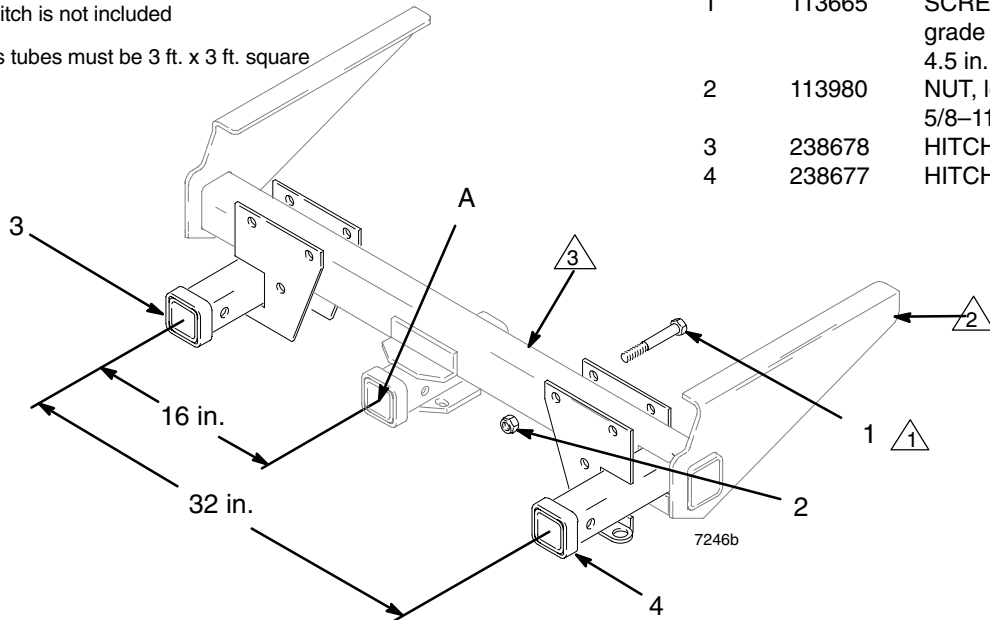


Fig. 1

Note: For the nearest DRAW-TITE® installer call 1–800–428–7303

1. Have a DRAW-TITE® Class IV Ultra-Frame tow hitch (or equivalent hitch with a 7500 lbs GTW rating and 3 in. x 3 in. square cross tube) installed on your vehicle (reference DRAW-TITE® part no. series 419XXX).
2. Both of the Graco Clamp-on receivers must be 16 in. from the center of the hitch frame (A).
3. Attach the left hitch receiver (3) to the trailer hitch with three of the supplied screws (1) and nuts (2).
 - a. Pre-torque each of the screws to set the hitch receiver in place.
4. Repeating the process from step 2, attach the right hitch receiver (4) to the trailer hitch with the three remaining screws (1) and nuts (2).
5. Verify that the centers of the hitch receivers are 32 in. apart. Make any necessary adjustments.
6. Torque all of the screws to 220–240 ft-lbs (298–325 N•m).

Hitch Receiver Kit: 239692

Installation Instructions for Hitch Kit 239692 (angled cross tube)

1 Torque to 220–240 ft-lbs (298–325 N•m)

2 DRAW-TITE® Class IV Ultra-Frame tow hitch is not included

3 Cross tubes must be 3 ft x 3 ft square

Ref No.	Part No.	Description	Qty.
1	113665	SCREW, cap, hex head, grade 8; 5/8–11 unc–2a; 4.5 in. (114 mm)	6
2	113980	NUT, lock, hex, grade 8; 5/8–11 unc–2b	6
3	239691	HITCH RECEIVER, left	1
4	239690	HITCH RECEIVER, right	1

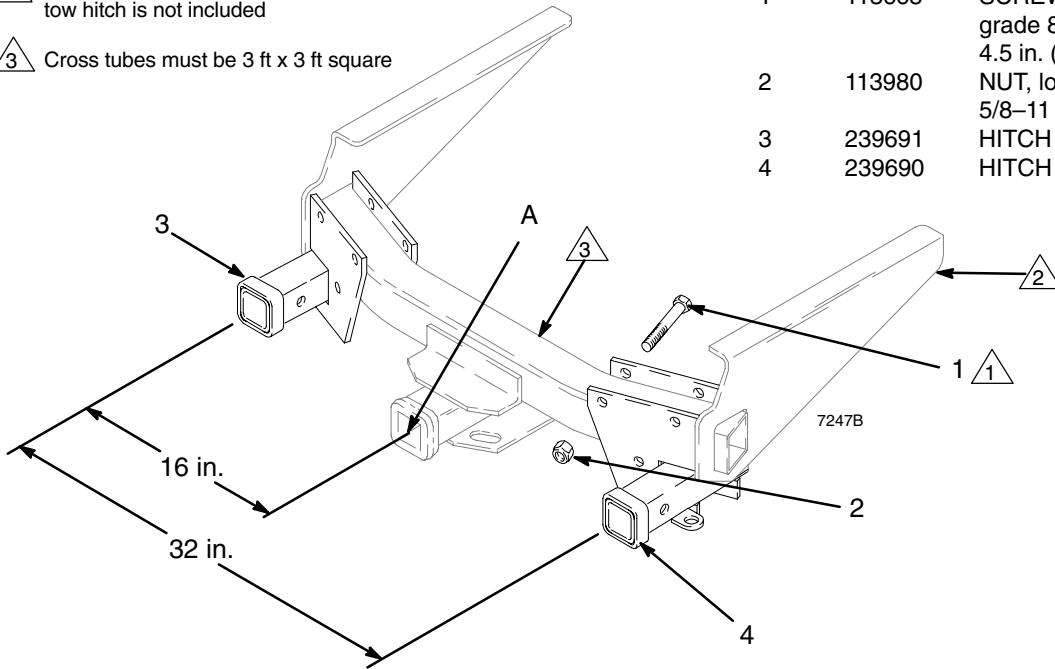


Fig. 2

Note: For the nearest DRAW-TITE® installer call 1–800–428–7303

1. Have a DRAW-TITE® Class IV Ultra-Frame tow hitch (or equivalent hitch with a 7500 lbs GTW rating and 3 in x 3 in square cross tube) installed on your vehicle (reference DRAW-TITE® part no. series 419XXX).
2. Both of the Graco Clamp-on receivers must be 16 in. from the center of the hitch frame (A).
3. Attach the left hitch receiver (3) to the trailer hitch with three of the supplied screws (1) and nuts (2).
 - a. Pre-torque each of the screws to set the hitch receiver in place.
4. Repeating the process from step 2, attach the right hitch receiver (4) to the trailer hitch with the three remaining screws (1) and nuts (2).
5. Verify that the centers of the hitch receivers are 32 in. apart. Make any necessary adjustments.
6. Torque all of the screws to 220–240 ft-lbs (298–325 N•m).

Towing Information

Towing Information

1. Read Instruction Manual 308–611 before using Road Lazer.
2. The Road Lazer attaches per Fig. 3.
3. Gross weight, full (A): 1450 lbs.
4. Gross tongue weight per each coupler (B): 480 lbs. (960 lbs. combined)
5. Gross axle weight (C): 500 lbs.
6. The tow vehicle requires a standard taillight connector.

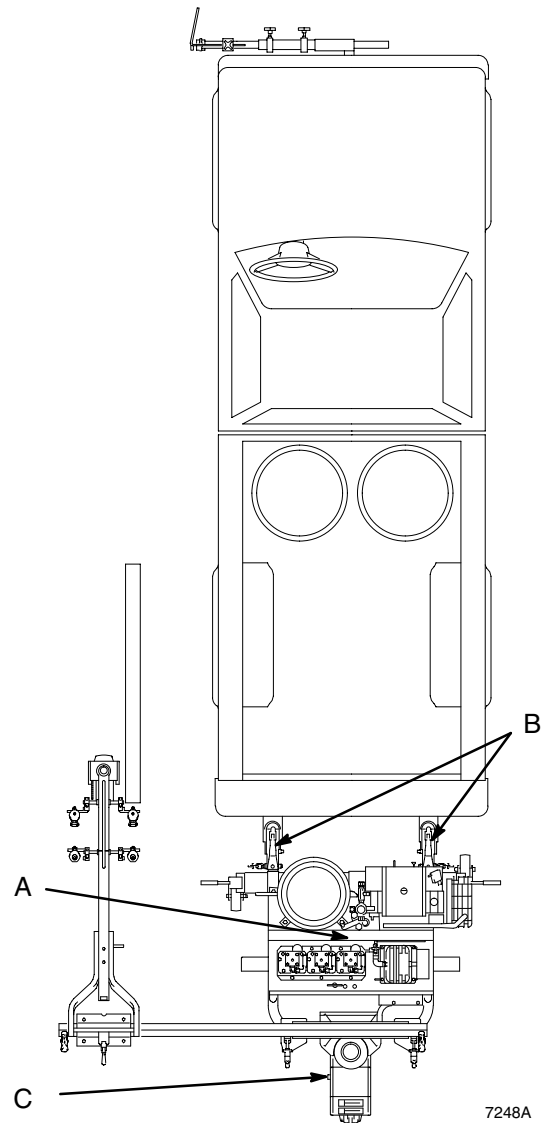


Fig. 3

7248A

Graco Information

TO PLACE AN ORDER, contact your Graco distributor, or call **1-800-690-2894** to identify the nearest distributor.

DRAW-TITE® is a registered trademark of the Draw-Tite corporation.

*All written and visual data contained in this document reflects the latest product information available at the time of publication.
Graco reserves the right to make changes at any time without notice.*

MM 308760

Graco Headquarters: Minneapolis
International Offices: Belgium, China, Japan, Korea

GRACO INC. P.O. BOX 1441 MINNEAPOLIS, MN 55440-1441

www.graco.com

PRINTED IN U.S.A. 308670G
4/1996 Rev. 6/2005