

Fluid Panels

309399C

ENG

For use with ProDispense™ controller. For professional use only.

Not for use in explosive atmospheres.



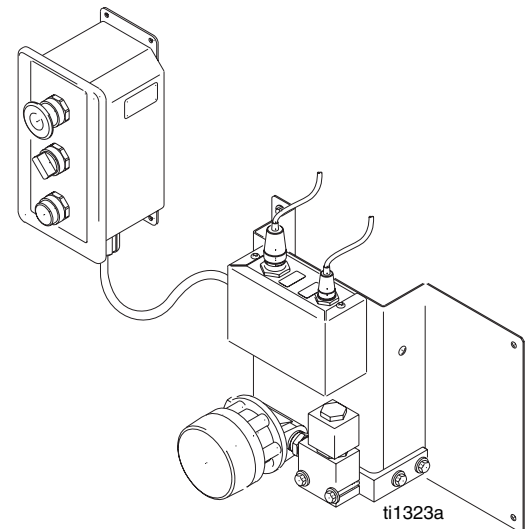
Important Safety Instructions

Read all warnings and instructions in ProDispense system manual 309301.

Part No. 244599

Oil/Lubricant Fluid Panel

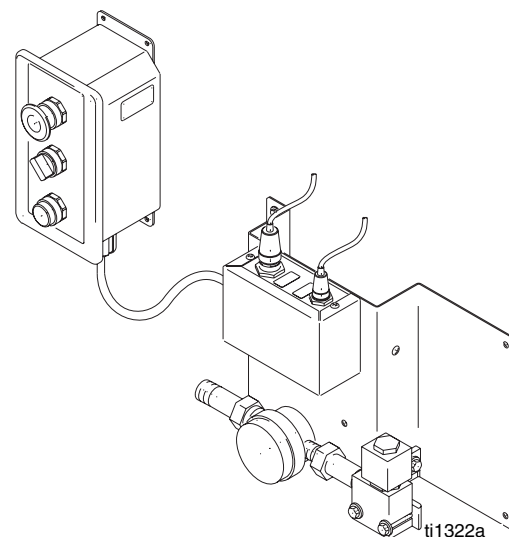
1500 psi (10 MPa, 103 bar) Maximum Working Pressure



Part No. 244600

Water/Antifreeze Fluid Panel

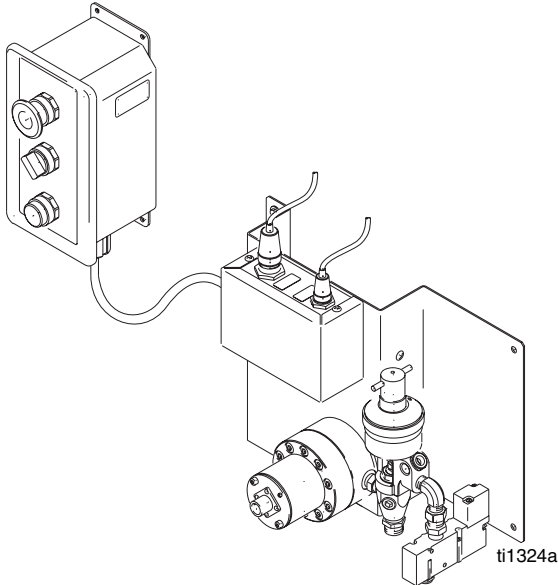
250 psi (1.7 MPa, 17 bar) Maximum Working Pressure



Part No. 244601 (G3000 HR)

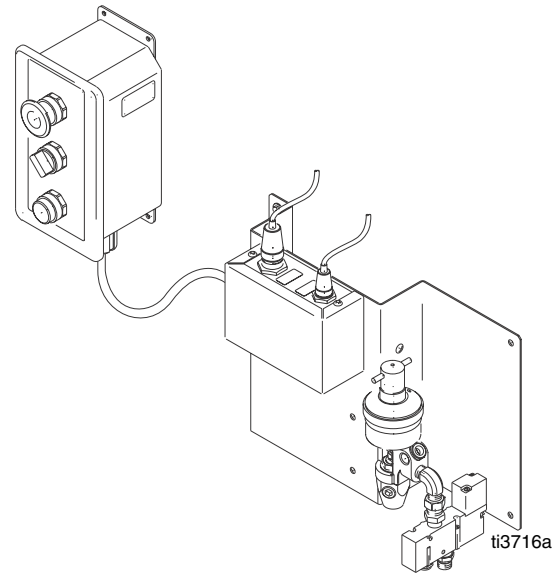
Grease/Paint Fluid Panel

3000 psi (21 MPa, 207 bar) Maximum Working Pressure



Part No. 246838

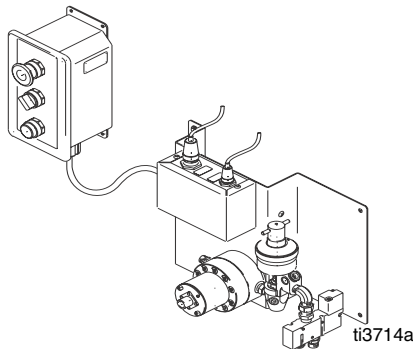
Grease/Paint Fluid Panel (no meter)



Part No. 246837 (G3000 HR)

Grease/Paint Fluid Panel

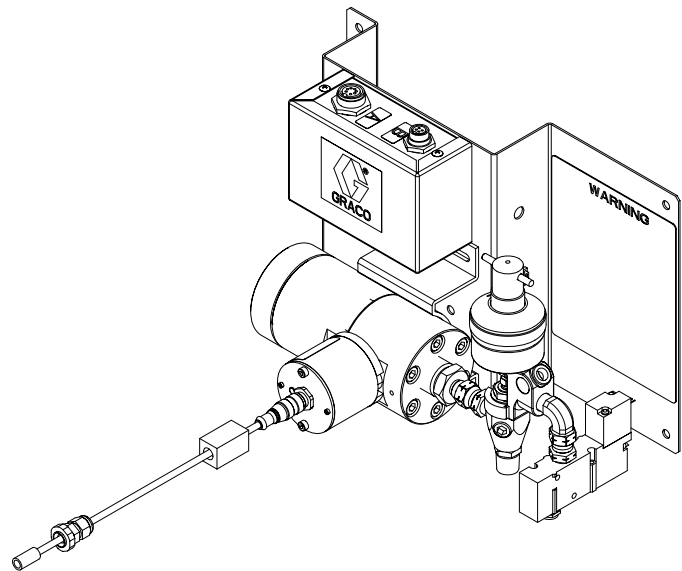
3000 psi (21 MPa, 207 bar) Maximum Working Pressure



Part No. 246839

Grease/Paint Fluid Panel (Helical Meter)

3000 psi (21 MPa, 207 bar) Maximum Working Pressure



All written and visual data contained in this document reflects the latest product information available at the time of publication.
Graco reserves the right to make changes at any time without notice.

This manual contains English. MM 309399

Graco Headquarters: Minneapolis
International Offices: Belgium, China, Japan, Korea

GRACO INC. P.O. BOX 1441 MINNEAPOLIS, MN 55440-1441

Copyright 2009 Graco Inc. is registered to ISO 9001

www.graco.com
Revised 12/2009