

# LineLazer IV 250sPS Self-Propelled Line Striper

3A2598A  
EN

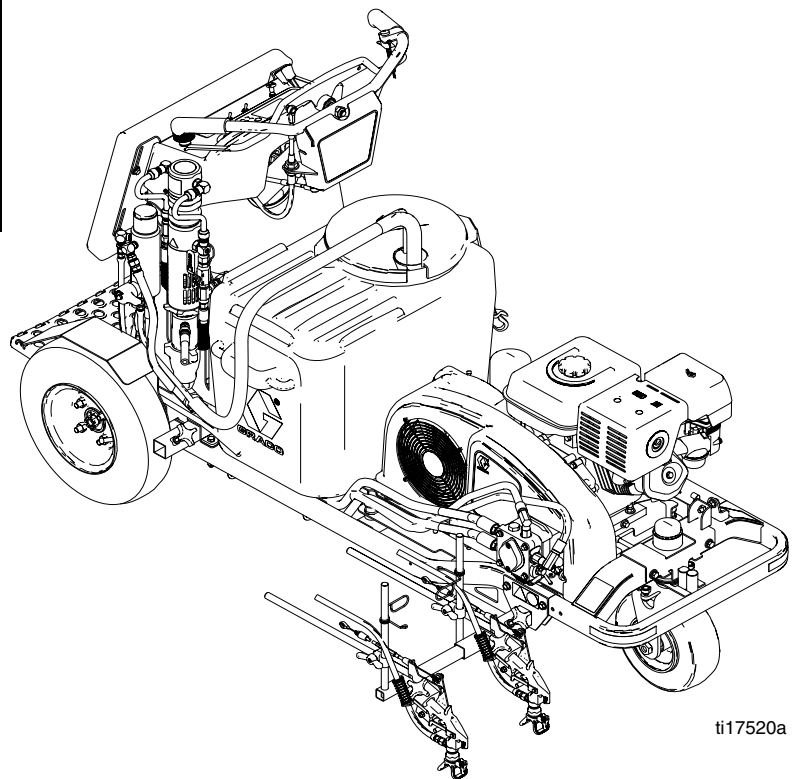
**For the application of line striping materials. For professional use only. For outdoor use only. Not for use in hazardous locations or explosive atmospheres.**

*Maximum Operating Speed: 10 mph (16 kph)  
Maximum Operating Pressure: 3300 psi (22.8 MPa, 228 bar)*



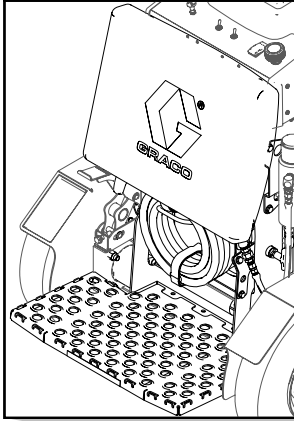
**IMPORTANT SAFETY INSTRUCTIONS**  
Read all warnings and instructions in this manual and the engine manual.  
Save these instructions.

Model	Guns	Description
24F307	2 Guns	LLIV 250SPS (North America, Latin America, Asia Pacific)
24K960	1 Gun	LLIV 250SPS (Latin America, Asia Pacific)
24K961	1 Gun	LLIV 250SPS (Europe)
24K962	2 Guns	LLIV 250SPS (Europe)
24M608	1 Gun	FieldLazer G400 (North America)

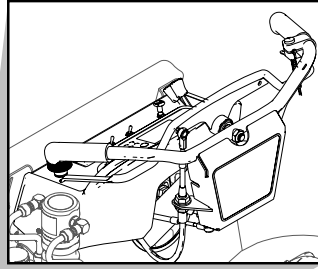


ti17520a

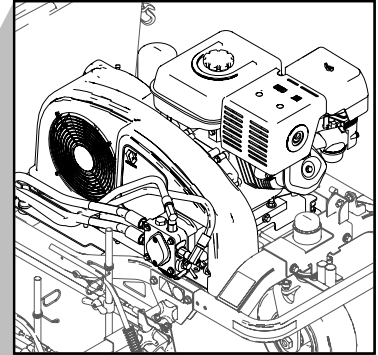
# Table of Contents



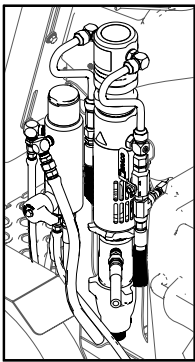
Page 4



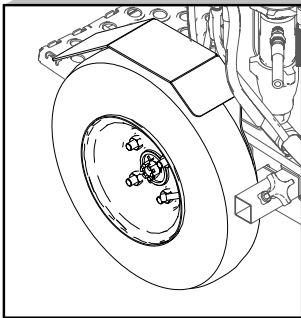
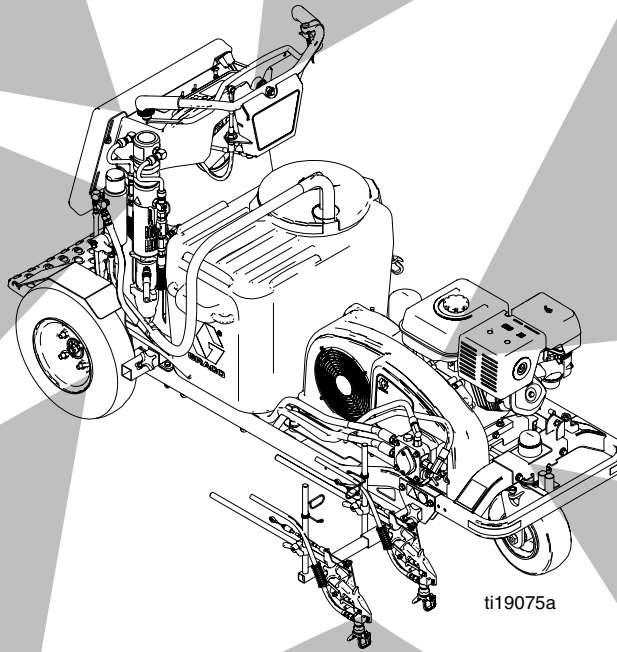
Page 6



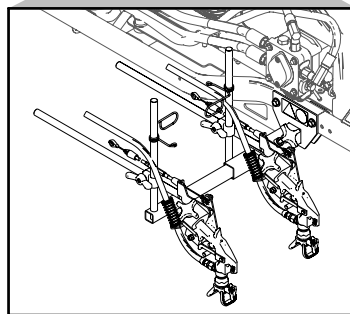
Page 10



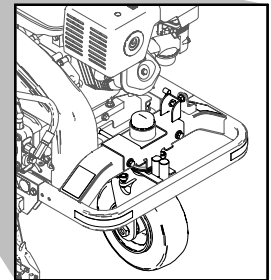
Page 18



Page 17



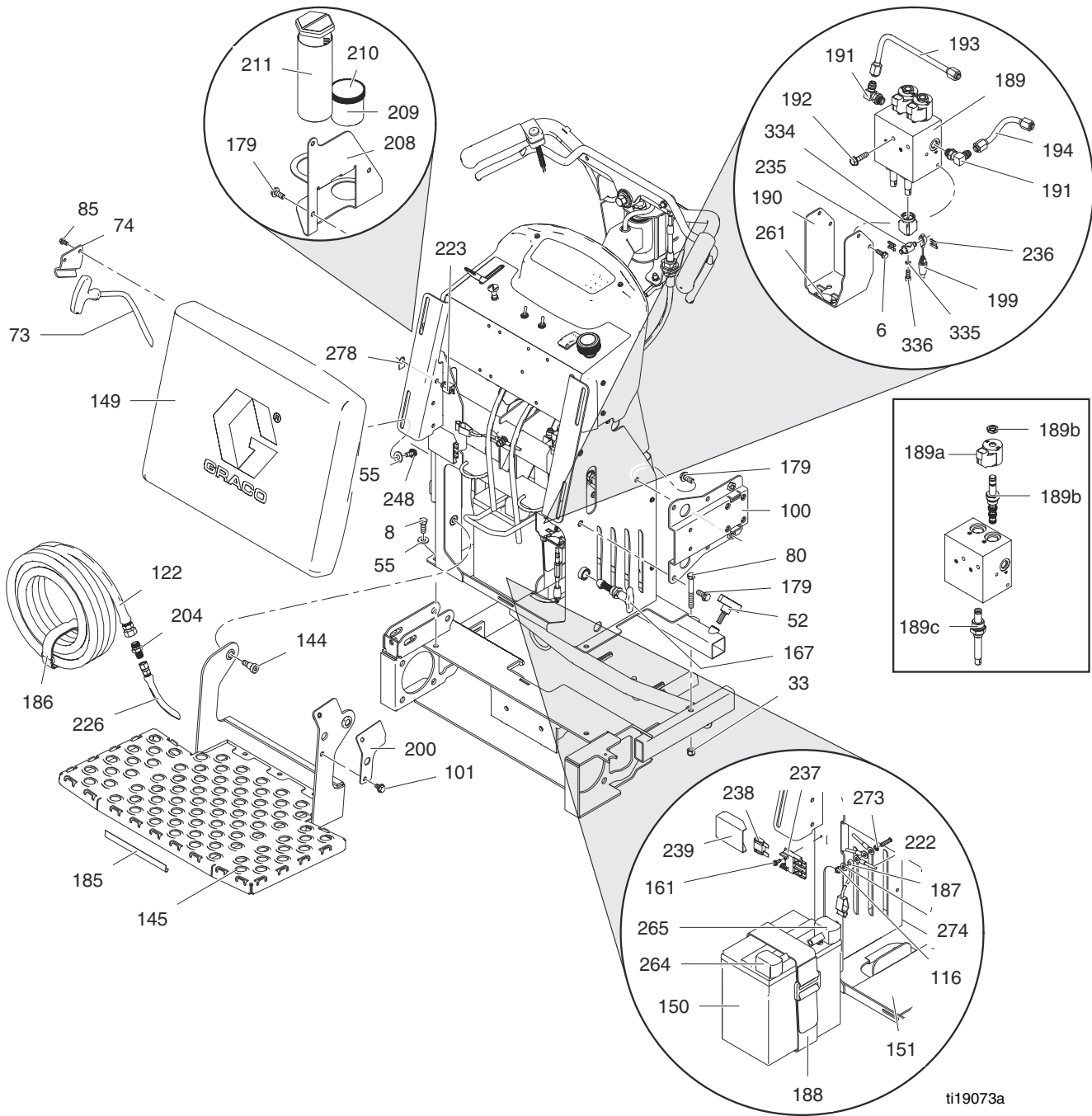
Page 16



Page 14



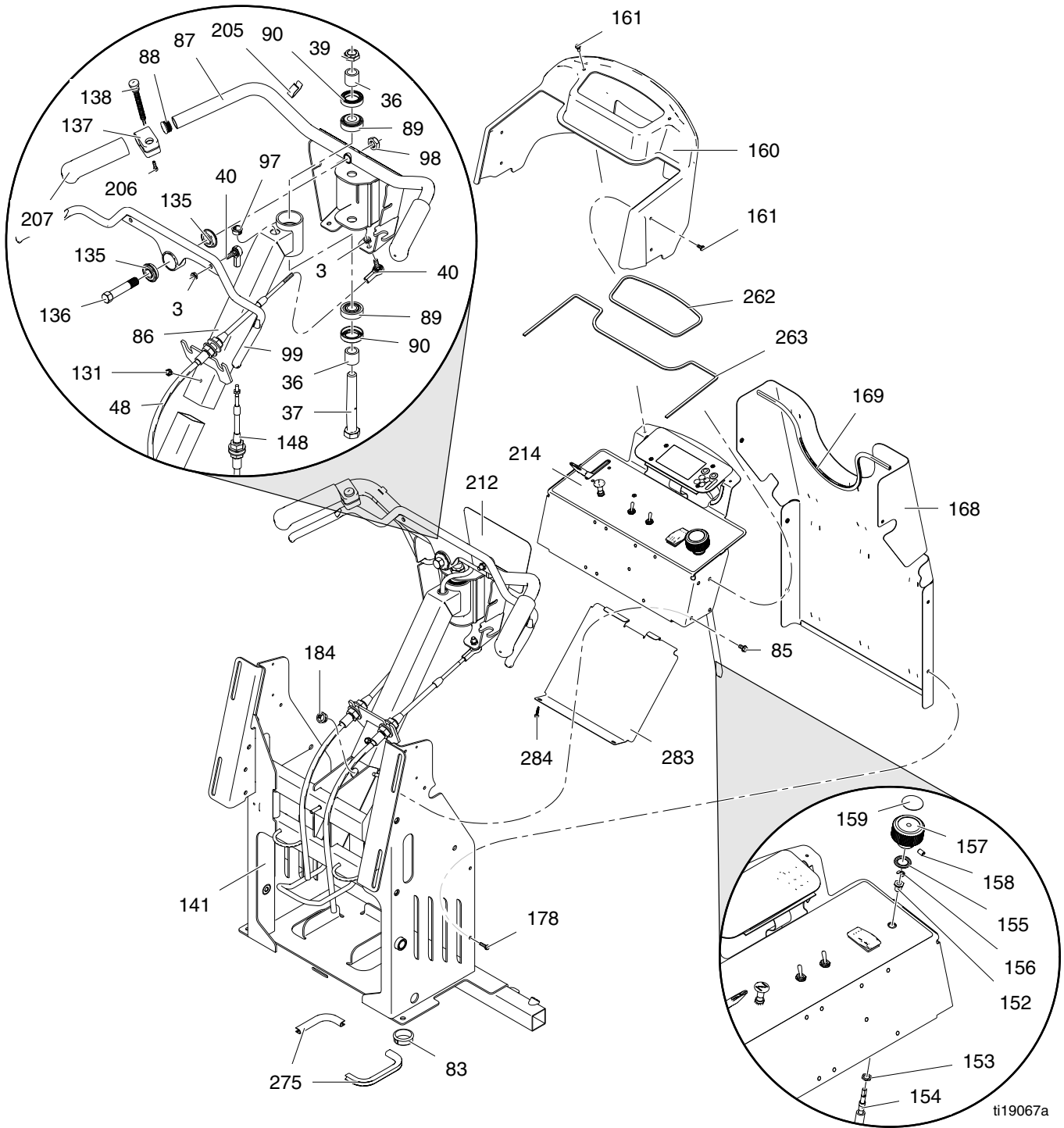
# Parts



## Parts List

Ref.	Part	Description	Qty.	Ref.	Part	Description	Qty.
6	260212	SCREW, hex washer hd, thd form	13	190	16N102	BRACKET, manifold, hydraulic, gun	1
8	100101	SCREW, cap, hex hd	4	191	116829	FITTING, 90 degree	2
33	101566	NUT, lock	16	192	15C753	SCREW, mach, hex wash hd	2
52	111145	KNOB, pronged	4	193	24M625	TUBE, supply, hydraulic	1
55	100023	WASHER, flat	25	194	24M626	TUBE, supply, hydraulic	1
73	16N100	TUBE, remote start, LL250	1	199	24N492	KIT, repair, gun cable (includes 236)	1
74	16N101	BRACKET, support, recoil, engine	1	200	16N380	BRACKET, pin ramp	1
80	120721	SCREW, cap, 3/8-16, hexhd	9	204	196177	ADAPTER, nipple	2
85	107257	SCREW, thd forming	11	208	16N595	BRACKET, tool holder	1
100	16M717	BRACKET, mount, pump, LL250, paint	1	209	119293	JAR, 6 oz	1
101	111801	SCREW, cap, hex hd	4	210	119316	LID, 6 oz	1
116	102040	NUT, lock, hex	2	211	119510	HOLDER, manual	1
122	124884	HOSE, coupled, 3/8 in. x 20 ft	1	222	16N541	WIRE, negative battery	1
144	116942	SCREW, shoulder, skt hd	2	223	16N540	HARNESS, light connection	2
145	24L909	FRAME, platform, painted, LL250	1	226	245798	KIT, repair, hose	1
149	278421	PAD, foam	1	235	16N676	ADAPTER, manifold, cable, gun	2
150	115753	BATTERY, 33 AH, sealed	1	236	126111	RETAINER, circlip, external, 8mm	6
151	801972	PAD, battery	1	237	126095	HOLDER, fuse	1
161	118444	SCREW, mach, slot hex wash hd	7	238	126096	FUSE, 30A	1
167	24D618	PIN, handle, Grindlazer	1	239	126097	COVER, fuse holder	1
179	111192	SCREW, cap flang hd	8	248	110963	SCREW, cap, flange head	4
185	290159	LABEL, reflective	7	261	16P145	LABEL, gun indicator	1
186	114271	STRAP, retaining	2	264	801958	PROTECTOR, terminal, red	1
187	237686	WIRE, ground assembly w/ clamp	1	265	801959	TERMINAL, protector, black	1
188	126071	STRAP, battery	1	273		WASHER, 1/4 external tooth lock	1
189	16N513	MANIFOLD, hydraulic, two piston	1	274	110755	WASHER, plain	1
189a	24N577	KIT, repair, coil, hydraulic manifold	1	278	16P138	LABEL, energy source	2
189b	24N490	KIT, repair, solenoid (includes 189a)	1	334	16P450	BELLOWS, constant volume	1
189c	24N491	KIT, repair, actuator, piston (includes 235, 236, 334, 335, 336)	1	335	105510	WASHER, lock, spring, (hi collar)	1
				336	126242	SCREW, cap, sch	1

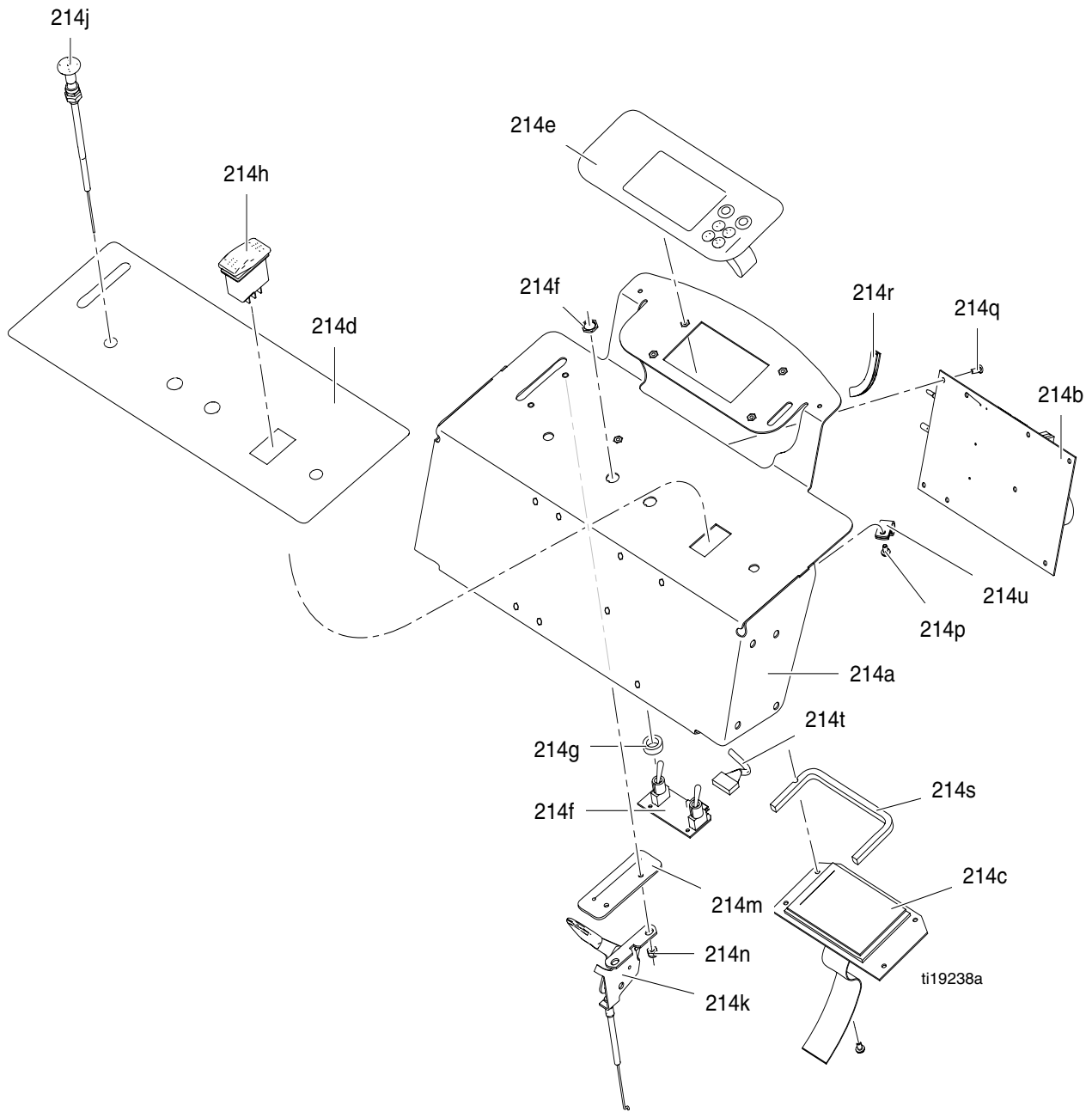
# Parts



## Parts List

Ref.	Part	Description	Qty.	Ref.	Part	Description	Qty.
3	102393	NUT, lock	6	153	119775	NUT, panel	1
36	193658	SPACER, seal	2	154	24N503	KIT, repair, shaft, flexible	1
37	113471	SCREW, cap, hex hd	1	155	176754	GLAND, packing, male	1
39	112405	NUT, lock	1	156	115999	RING, retaining	1
40	125792	BALL, joint, rod end	6	157	118359	KNOB, pressure control	1
48	16M273	CABLE, steering push/pull, LL250	2	158	101962	SCREW, set, sch, 1/4-20	1
83	113677	BUSHING, nylon	3	159	15A464	LABEL, control	1
85	107257	SCREW, thd forming	7	160	16N003	COVER, display, LL250, painted	1
86	24N494	KIT, repair, support, steering (includes 89, 90)	1	161	118444	SCREW, mach, slot hex wash hd	7
87	24L900	BAR, handle, LL250	1	168	24N496	KIT, repair, shield, paint (includes 169)	1
88	120151	RETAINER, caplug	2	169	114225	TRIM, edge protection	1
89	113485	BEARING, cup/cone	2	178	107439	SCREW, mach, hex hd	6
90	115503	SEAL, grease	2	184	119569	BUSHING, strain relief	1
97	119569	BUSHING, strain relief	1	205	178342	CLIP, spring	1
98	119554	NUT, lock, nylon, thin pattern	1	206	C20004	SCREW, cap	1
99	24M196	HANDLE, control, forward/reverse	1	207	114659	GRIP, handle	2
131	112798	SCREW, thread forming, hex hd	1	212	16N519	LABEL, brand, LineLazer, SPS, top	1
135	119532	BEARING, flanged	2		16N517	LABEL, brand, FieldLazer, G400, top (Model 24M608 only)	1
136	15E780	PIN, fork	1	214	24M235	KIT, repair, control panel	1
137	15K162	BLOCK	1	262	16N547	GASKET, display	1
138	15K283	SWITCH, push button	1	263	16N548	GASKET, control	1
141	16M702	FRAME, upright, LL250, paint	1	275	126215	TRIM, edge, protection	1
148	16M274	CABLE, forward/reverse, push/pull	1	283	16P554	PLATE, cover, control board	1
152	15F710	BUSHING, mount, panel	1	284	122667	SCREW, drill, hex washer head	2

# Parts (Control Panel)

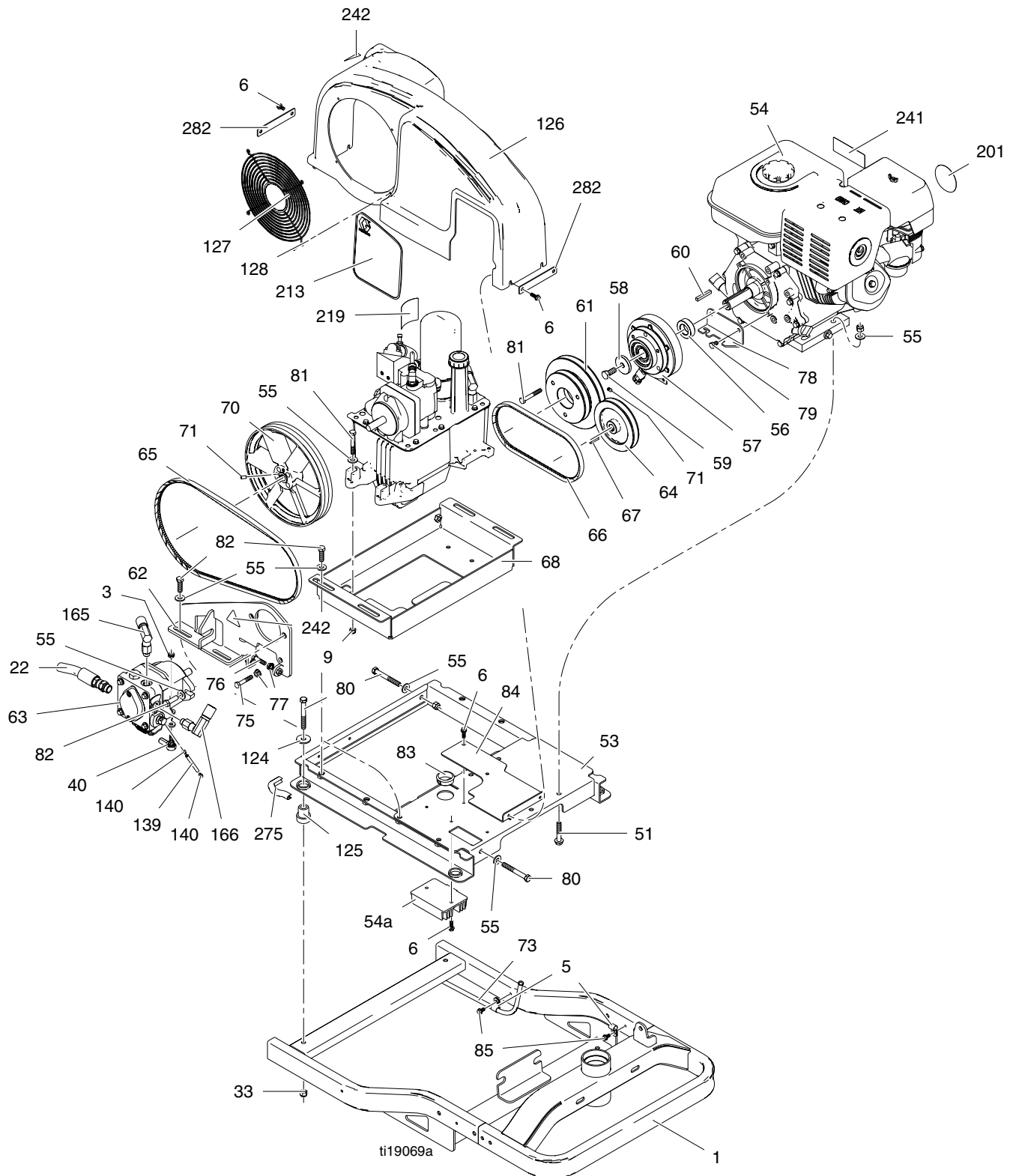




## Parts List (Control Panel)

Ref.	Part	Description	Qty.	Ref.	Part	Description	Qty.
214a	16M781	PLATE, control, LL250	1	214j	16M508	CABLE, choke	1
214b	24N565	KIT, repair, control board (includes 214q)	1	214k	16M509	CONTROL, throttle	1
214c	24N564	KIT, repair, display board (includes 214p)	1	214m	16N549	GASKET, throttle	1
214d	24N566	KIT, repair, switch board (includes 214g)	1	214n	109466	NUT, lock, hex	2
214e	16N374	SWITCH, membrane	1	214p	120743	SCREW, mach, pnh, sems	5
214f	24M633	BOARD, switch	1	214q	111839	SCREW, mach, pnh, sems	8
214g	16G332	SPACER, switch, toggle	2	214r	114225	TRIM, edge protection	1
214h	126078	SWITCH, rocker, dpdt	1	214s	15M509	GASKET, board, LineLazer	1
				214t	16P019	HARNESS, switch board	1
				214u	119736	CLAMP, cable	1

# Parts

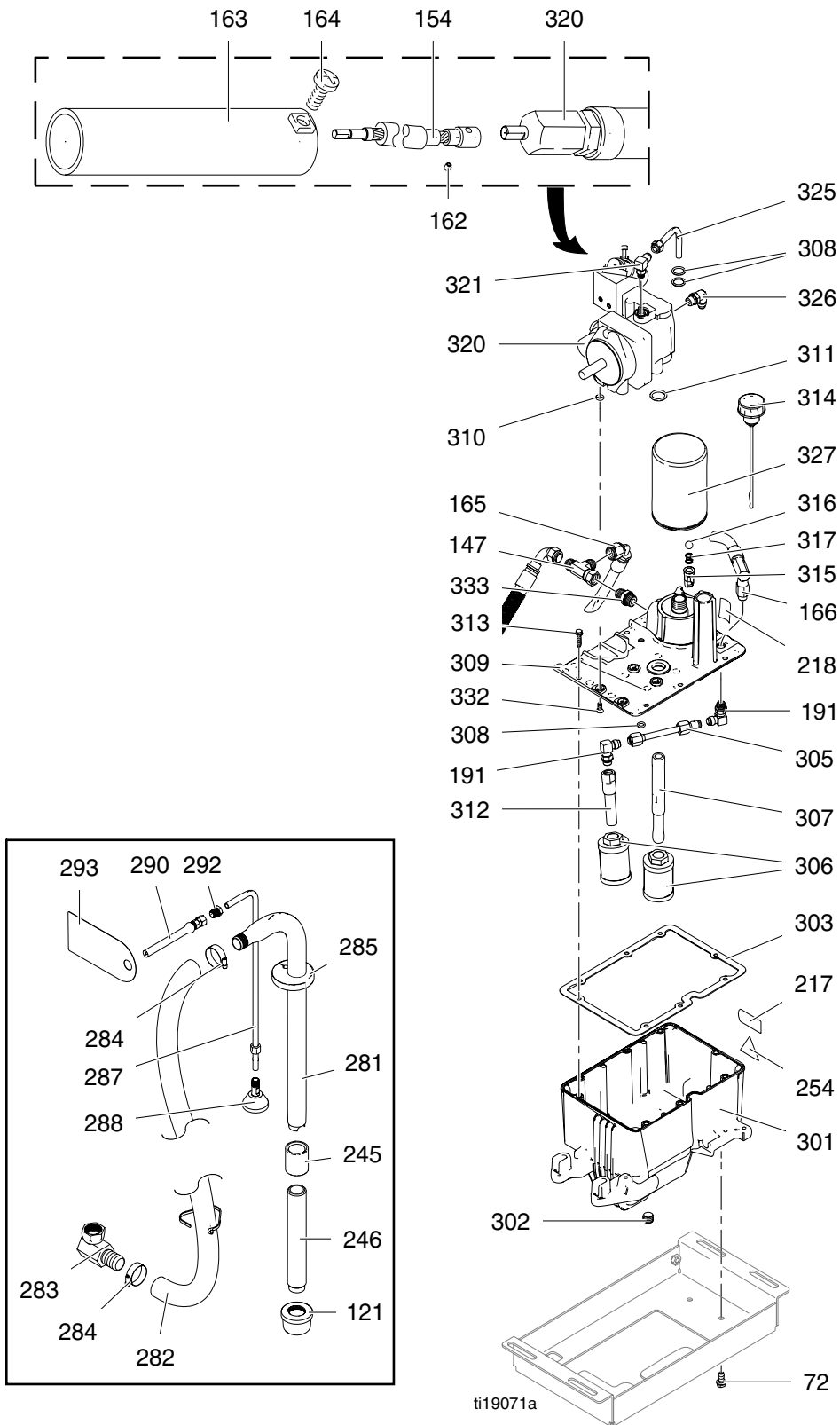


## Parts List

Ref.	Part	Description	Qty.	Ref.	Part	Description	Qty.
1	24L896	FRAME, painted, LL250	1	78	16M082	BRACKET, clutch, anti-rotation	1
3	102393	NUT, lock	6	79	112406	SCREW, cap, hex hd	2
5	108868	CLAMP, wire	4	80	120721	SCREW, cap, 3/8-16, hexhd	9
6	260212	SCREW, hex washer hd, thd form	13	81	108481	SCREW, cap, hex hd	5
9	111040	NUT, lock, insert, nylock, 5/16	2	82	100004	SCREW, cap, hex hd	8
22	16M271	HOSE, coupled, assembly, LL250	2	83	113677	BUSHING, nylon	3
33	101566	NUT, lock	16	84	16M715	BRACKET, mount, belt guard, LL250	1
40	125792	BALL, joint, rod end	6	85	107257	SCREW, thd forming	7
51	114982	SCREW, cap, flng hd	6	124	108851	WASHER, plain	6
53	16M072	FRAME, mount, engine, paint	1	125	119695	DAMPENER, engine mount	4
54	24N501	KIT, repair, engine, GX270 (includes 54a, 201, 202, 241, 247)	1	126	24N498	KIT, repair, guard, belt (includes 85, 127, 128, 242)	1
54a	24N502	KIT, repair, rectifier, voltage	1	127	117284	GRILL, fan guard	1
55	100023	WASHER, flat	25	128	123035	RIVET, blind	4
56	16M075	SPACER, clutch, 1.00 id x .5 thk	1	139	15R309	ROD, standoff, 1/4 in. od x 2.75 in. LG	1
57	125877	CLUTCH, electric, LL250	1	140	111006	SCREW, cap	2
58	16M076	WASHER, 7/16 id x .25 thk	1	165	16M275	HOSE, coupled, return line, LL250	1
59	116645	SCREW, cap, hex head	1	166	16M276	HOSE, coupled, feed line, LL250	1
60	125919	KEY, parallel, square, 1/4	1	201	16N154	LABEL, GX270, 9hp, LL250, sp	1
61	16M077	PULLEY, double	1	202	126072	KIT, Honda remote choke (not shown)	1
62	24N499	KIT, repair, bracket, hydro pump (includes 75, 76, 77, 242)	1	213	16N518	LABEL, brand, FieldLazer, G400, side (Model 24M608 only)	1
63	247930	KIT, repair, hydraulic pump	1		16N520	LABEL, brand, LineLazer, SPS, side	1
64	16M078	PULLEY, 5 o.d. x 15mm	1	219	189892	LABEL, Graco logo	1
65	125793	BELT, vee, tri-power, AX44	1	241▲	194126	LABEL, warning	1
66	125876	BELT, vee, tri-power, AX26	1	242▲	16M768	LABEL, pinch hazard iso	1
67	117222	KEY, square	1	275	126215	TRIM, edge, protection	1
68	16M084	TRAY, hyd reservoir, LL250, paint	1	282	16P547	PLATE, backer, belt guard, paint	2
70	15E410	PULLEY, fan	1				
71	120087	SCREW, set, 1/4 in. x 1/2 in.	4				
73	16N100	TUBE, remote start, LL250	1				
75	100678	SCREW, cap hex hd	1				
76	100521	SCREW, cap hex hd	1				
77	110996	NUT, hex, flange head	4				

▲ Replacement warning labels may be ordered free of charge.

# Parts

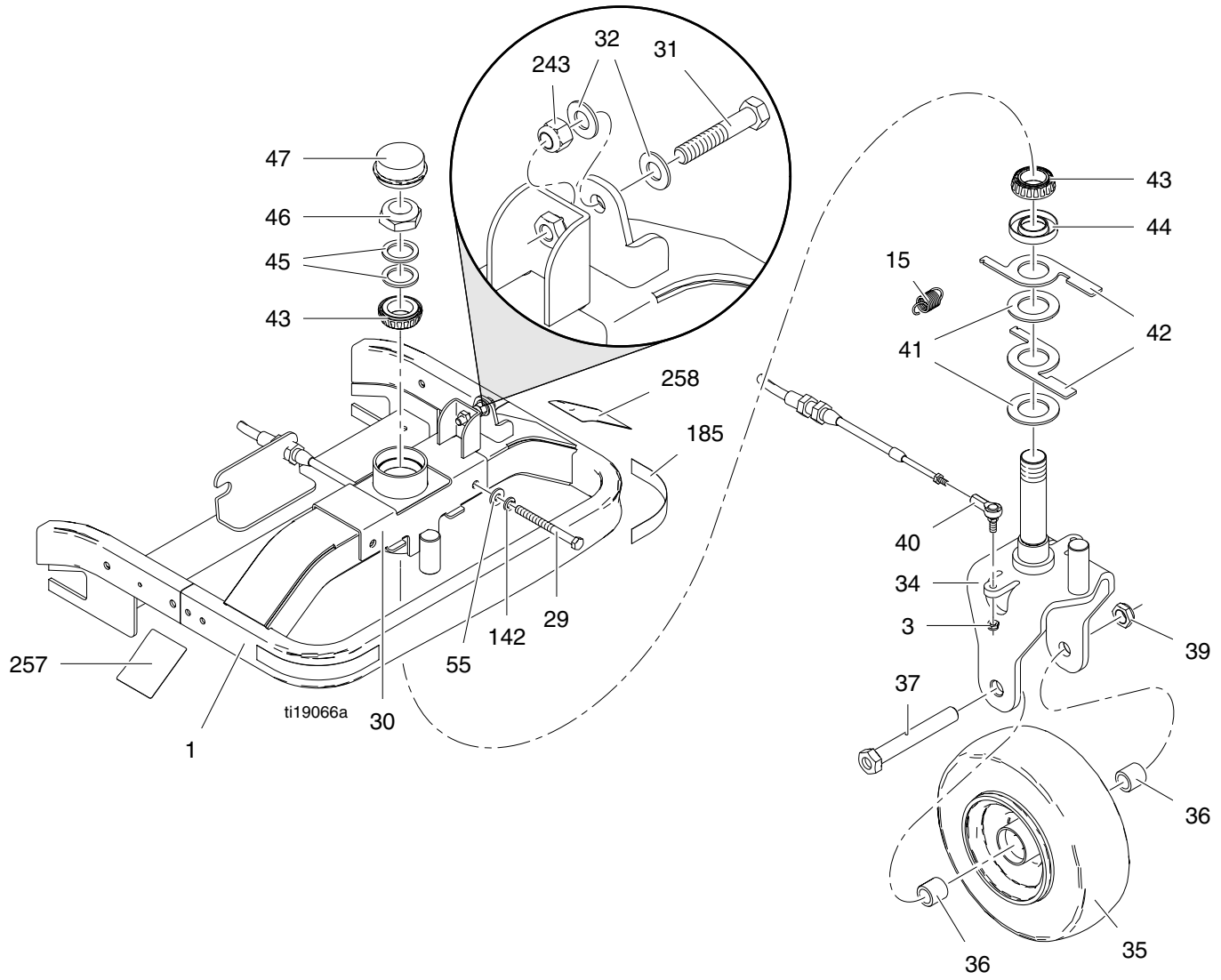


## Parts List

Ref.	Part	Description	Qty.	Ref.	Part	Description	Qty.
72	125794	SCREW, taptite, hex washer hd	2	301	15J513	TANK, reservoir, blue	1
121	181072	KIT, repair, strainer	1	302	101754	PLUG, pipe	1
147	126061	FITTING, #8 jic tee, swivel	1	303	120604	GASKET, reservoir	1
154	24N503	KIT, repair, shaft, flexible (includes 162)	1	305	24K967	TUBE, supply, hydraulic	1
162	112303	SCREW, set, sch	1	306	116919	FILTER	2
163	15C958	GUARD, control, pressure	1	307	15E587	TUBE, suction	1
164	112166	SCREW, cap, sch	1	308	154594	PACKING, o-ring	2
165	16M275	HOSE, coupled, return line, LL250	1	309	16M160	COVER, reservoir, LL250, painted	1
166	16M276	HOSE, coupled, feed line, LL250	1	310	107188	PACKING, o-ring	4
191	116829	FITTING, 90 degree	2	311	156401	PACKING, o-ring	1
217	15K440	LABEL, brand, GH/EH cooling	1	312	16M112	TUBE, suction, hydraulic, LL250	1
218	16P142	LABEL, hydraulic only icon	1	313	119426	SCREW, mach, hex washer hd	8
245	114967	COUPLING, pipe, 1 in.	1	314	120726	CAP, breather, filler	1
246	189674	TUBE, intake	1	315	198841	RETAINER, ball, pressure bypass	1
254▲	189285	LABEL, caution	1	316	100084	BALL, metallic	1
281	15F149	TUBE, suction	1	317	116967	SPRING, compression	1
282	194306	HOSE, fluid	1	320	287179	KIT, repair, pump, 200HS (includes 310, 311, 332)	1
283	198119	FITTING, elbow, barbed	1	321	110792	FITTING, elbow, male, 90 deg	1
284	101818	CLAMP, hose	2	325	246167	KIT, repair, case drain (includes 308)	1
285	15F513	GASKET, pail	1	327	246173	KIT, repair, oil filter	1
287	245731	KIT, repair, drain tube (includes 288)	1	332	117471	SCREW, mach, hex flat head	4
288	241920	DEFLECTOR, threaded	1	333	120184	FITTING, hydraulic	1
290	248008	HOSE, cpld, 1/4 in. x 44 in.	1				
292	196180	BUSHING	1				
293▲	195119	LABEL, warning	1				

▲ Replacement warning labels may be ordered free of charge.

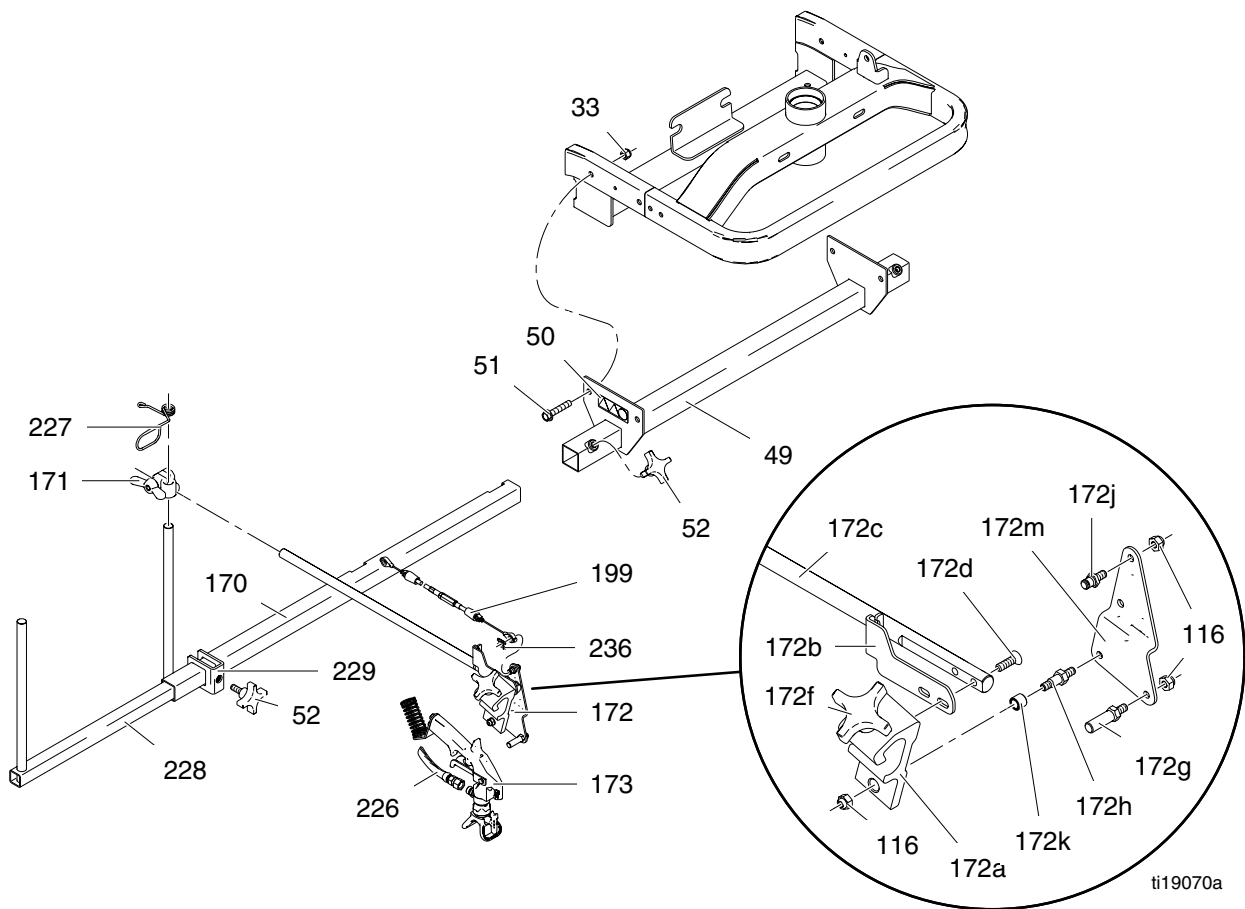
# Parts



## Parts List

Ref.	Part	Description	Qty.	Ref.	Part	Description	Qty.
1	24L896	FRAME, painted, LL250	1	41	125893	WASHER, thrust, 1-1/2 in. id	2
3	102393	NUT, lock	6	42	16M267	LEVER, self centering, LL250	2
15	15V264	SPRING, extension	2	43	126112	BEARING, tapered 1 1/4, cone	2
29	113743	SCREW, cap, hex hd	2	44	125892	SEAL, bearing, 1-1/4 shaft	1
30	24L902	ADJUSTER, caster, weldment, LL250	1	45	126064	SHIM, caster	2
31	126204	SCREW, cap, hex hd	1	46	125890	NUT, 1 1/4-12 unf	1
32	100731	WASHER	2	47	126063	CAP, dust	1
34	24L897	CASTER, painted, LL250	1	55	100023	WASHER, flat	1
35	113479	WHEEL, pneumatic	1	142	100133	WASHER, lock, 3/8	2
36	193658	SPACER, seal	2	185	290159	LABEL, reflective	1
37	113471	SCREW, cap, hex hd	1	243	101714	NUT, lock	1
39	112405	NUT, lock	1	257	16P143	LABEL, release hydraulic drive	1
40	125792	BALL, joint, rod end	6	258	16P144	LABEL, caster wheel adjustment	1

# Parts



ti19070a

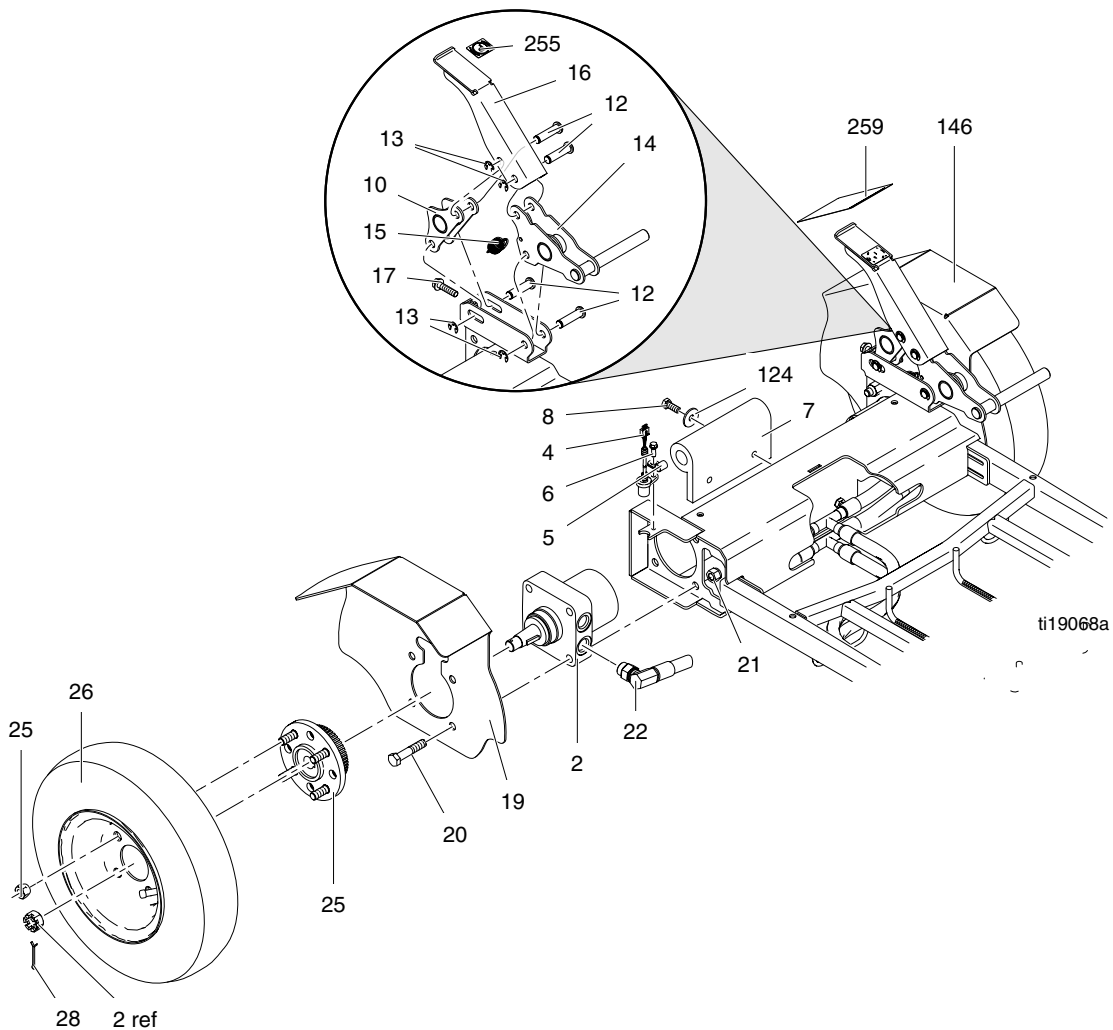
## Parts List

Ref.	Part	Description	Qty.	Ref.	Part	Description	Qty.
33	101566	NUT, lock	16	172g	15F209	STUD, pull, trigger	1
49	24N350	BRACKET, gun arm	1	172h	15F210	STUD	1
50▲	16P136	LABEL, injection read manual iso	1	172j	16N788	STUD, cable, gun, circlip	1
51	114982	SCREW, cap, flng hd	6	172k	119664	BEARING, sleeve	
52	111145	KNOB, pronged	4	172m	15F214	LEVER, actuator	
116	102040	NUT, lock, hex	6	173	248157	KIT, accessory, gun, flex	2
170	224052	BRACKET, support gun	1	199	16M671	CABLE, gun, solenoid	2
171	287566	KIT, clamp	2	226	245798	KIT, repair, hose	2
172	24M638	BAR, gun holder, LLIV 250 SPS	2	227	188135	GUIDE, cable	2
172a	287569	KIT, repair, gun holder	1	228	224096	BRACKET, support, extension	1
172b	16M850	BRACKET, cable, gun,	1	229	224136	CLAMP, extension	1
172c	16P047	ARM, holder, gun	1	236	126111	RETAINER, circlip, external, 8mm	6
172d	119647	SCREW, cap, socket, flthd	2				
172f	15F750	KNOB, holder, gun	1				

▲ Replacement warning labels may be ordered free of charge.



# Parts

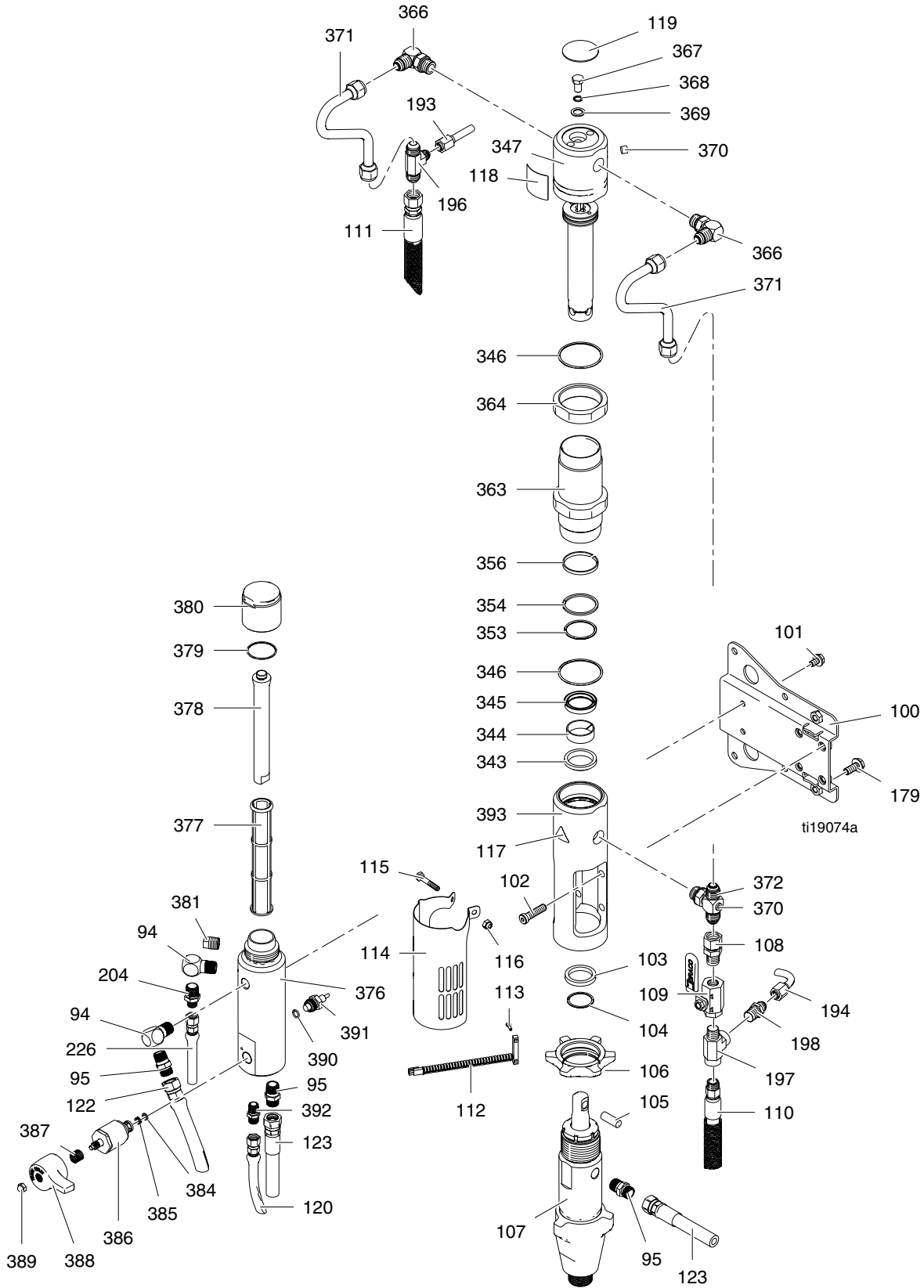


## Parts List

Ref.	Part	Description	Qty.	Ref.	Part	Description	Qty.
2	125929	MOTOR, wheel	2	22	16M271	HOSE, coupled, assembly, LL250	2
4	15K357	SENSOR, distance	1	25	24N508	KIT, repair, hub and gear assy	2
5	108868	CLAMP, wire	4	26	245340	KIT, repair, tire	1
6	260212	SCREW, hex washer hd, thd form	13		249083	KIT, turf tire, LineDriver (Model 24M608 only)	1
7	16M279	BUMPER, platform, LL250	1	28	100104	PIN, cotter	2
8	100101	SCREW, cap, hex hd	4	124	108851	WASHER, plain	6
10	24M214	BRACKET, plate, pivot, brake, LL250	1	146	16N394	FENDER, wheel, left, LL250, paint	1
12	16M656	PIN, brake	4	255	16P141	LABEL, parking brake icon	1
13	126073	RING, retaining, e ring, 1/2 dia	4	259▲	16P139	LABEL, multiple hazard iso (Models 24K960, 24F307, 24M608)	1
14	24M215	BRACKET, lock, brake, LL250	1		16P137	LABEL, multiple hazard iso (Models 24K961, 24K962)	1
15	15V264	SPRING, extension	2				
16	16M743	PEDAL, brake, LL250	1				
17	112785	SCREW, hex hd, flanged	1				
19	16M753	FENDER, wheel, right, LL250, paint	1				
20	114766	BOLT, cap hex head	8				
21	801020	NUT, lock, hex	8				

▲ Replacement warning labels may be ordered free of charge.

# Parts



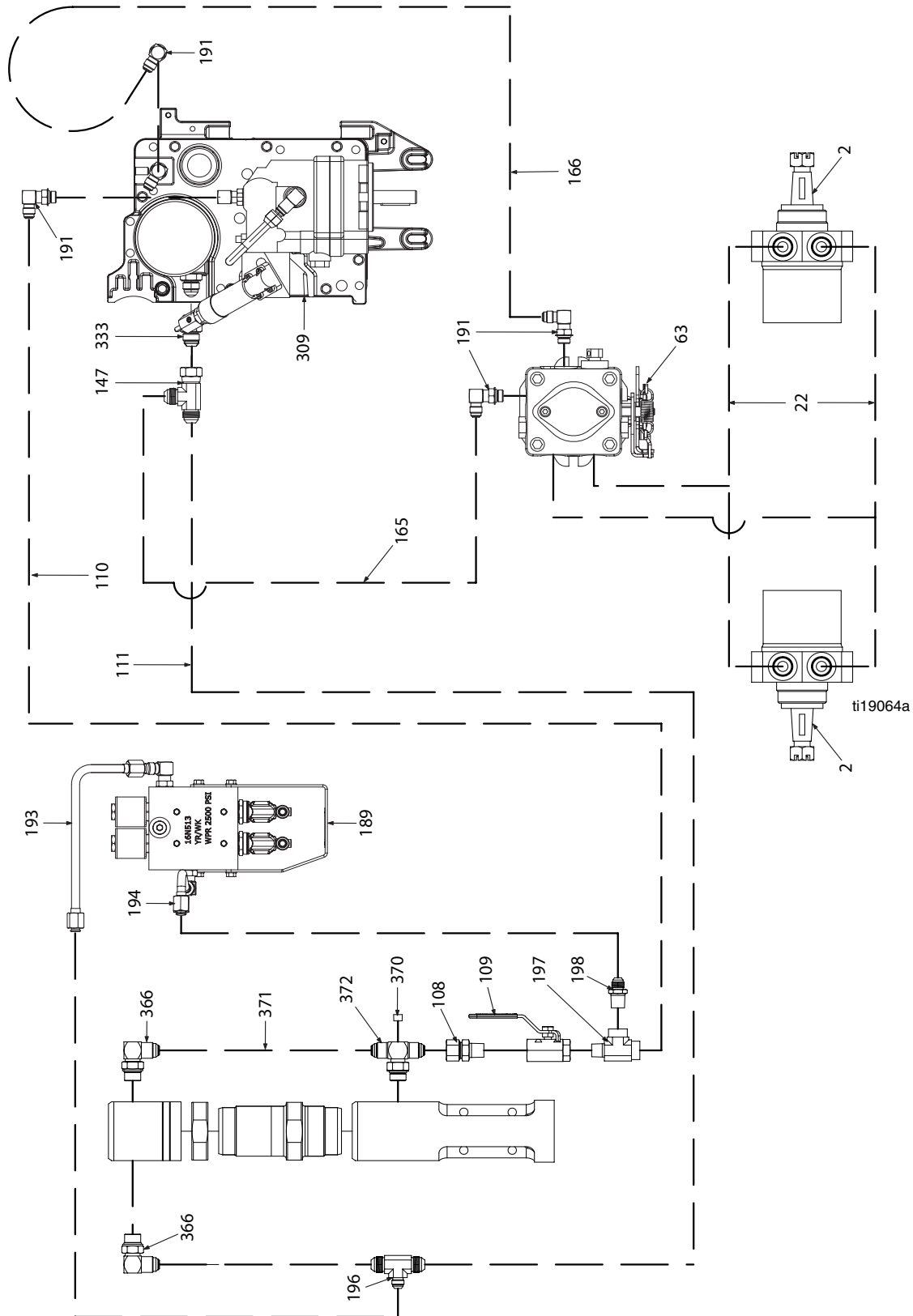
## Parts List

Ref.	Part	Description	Qty.	Ref.	Part	Description	Qty.
94	196179	FITTING, elbow, street	1	346	117283	PACKING, o-ring	1
95	196178	ADAPTER, nipple	2	347	288754	KIT, repair, trip rod/piston	1
100	16M717	BRACKET, mount, pump, LL250, paint	1	353	108014	PACKING, o-ring	1
101	111801	SCREW, cap, hex hd	4	354	178226	SEAL, piston	1
102	107210	SCREW	4	356	178207	BEARING, piston	1
103	287186	KIT, repair, magnet	1	363	246176	SLEEVE, hydraulic, cylinder (includes 346)	1
104	116551	RING, retaining	1	364	15A726	NUT, jam	1
105	197443	PIN, pump	1	366	117607	FITTING, elbow std thd	2
106	193394	NUT, retaining	1	367	106276	SCREW, cap, hex head	1
107	277068	KIT, repair, pump 200HS (includes 95, 103, 104, 105)	1	368	155685	PACKING, o-ring	1
108	117328	FITTING, nipple, straight	1	369	178179	WASHER, sealing	1
109	117441	VALVE, ball	1	370	100139	PLUG, pipe	2
110	287175	KIT, repair, hose, hydraulic, s	1	371	15F519	TUBE, hydraulic, supply	2
111	287176	KIT, repair, hose, hydraulic, r	1	372	119841	FITTING, tee, branch	1
112	119720	SWITCH, reed w/connector	1	376*	15H561	MANIFOLD	1
113	114528	SCREW, mach, phillips, pnhd	2	377*	244067	FILTER, 60 mesh, ultra	1
114	15F911	GUARD, pump rod	1	378*	15C766	TUBE, diffusion	1
115	100058	SCREW, cap, hex hd	1	379*	117285	PACKING, o-ring	1
116	102040	NUT, lock, hex	2	380*	287285	KIT, repair, filter cap (includes 378, 379)	1
117▲	15H108	LABEL, pinch point	1	381	15G331	PLUG, pipe	1
118	15B804	LABEL, Graco logo	1	384	193710	SEAL, seat, valve	1
119▲	15B063	LABEL	1	385	193709	SEAT, valve	1
120	287206	KIT, repair, suction hose	1	386*	245103	KIT, repair, drain valve (includes 384, 385, 387, 388, 389)	1
122	124884	HOSE, coupled, 3/8 in. x 20 ft	1	387	114708	SPRING, compression	1
123	245797	KIT, repair, hose	1	388*	15G563	HANDLE, valve	1
179	111192	SCREW, cap flang hd	8	389	116424	NUT, cap	1
193	24M625	TUBE, supply, hydraulic	1	390*	111457	PACKING, o-ring	1
194	24M626	TUBE, supply, hydraulic	1	391*	24N516	KIT, repair, transducer (includes 390)	1
196	126082	FITTING, tee, #8 x #8 x #6 jic	1	392	196181	FITTING, nipple	1
197	126080	FITTING, tee, street	1	393	15A728	MANIFOLD, adapter	1
198	126081	FITTING, nipple, 3/8-18 x #6 jic	1				
204	196177	ADAPTER, nipple	2				
226	245798	KIT, repair, hose	2				
343	117739	WIPER, rod	1				
344	15A726	NUT, jam	1				
345	112561	PACKING, block	1				

\* Included in Filter Repair Kit 24N517

▲ Replacement warning labels may be ordered free of charge.

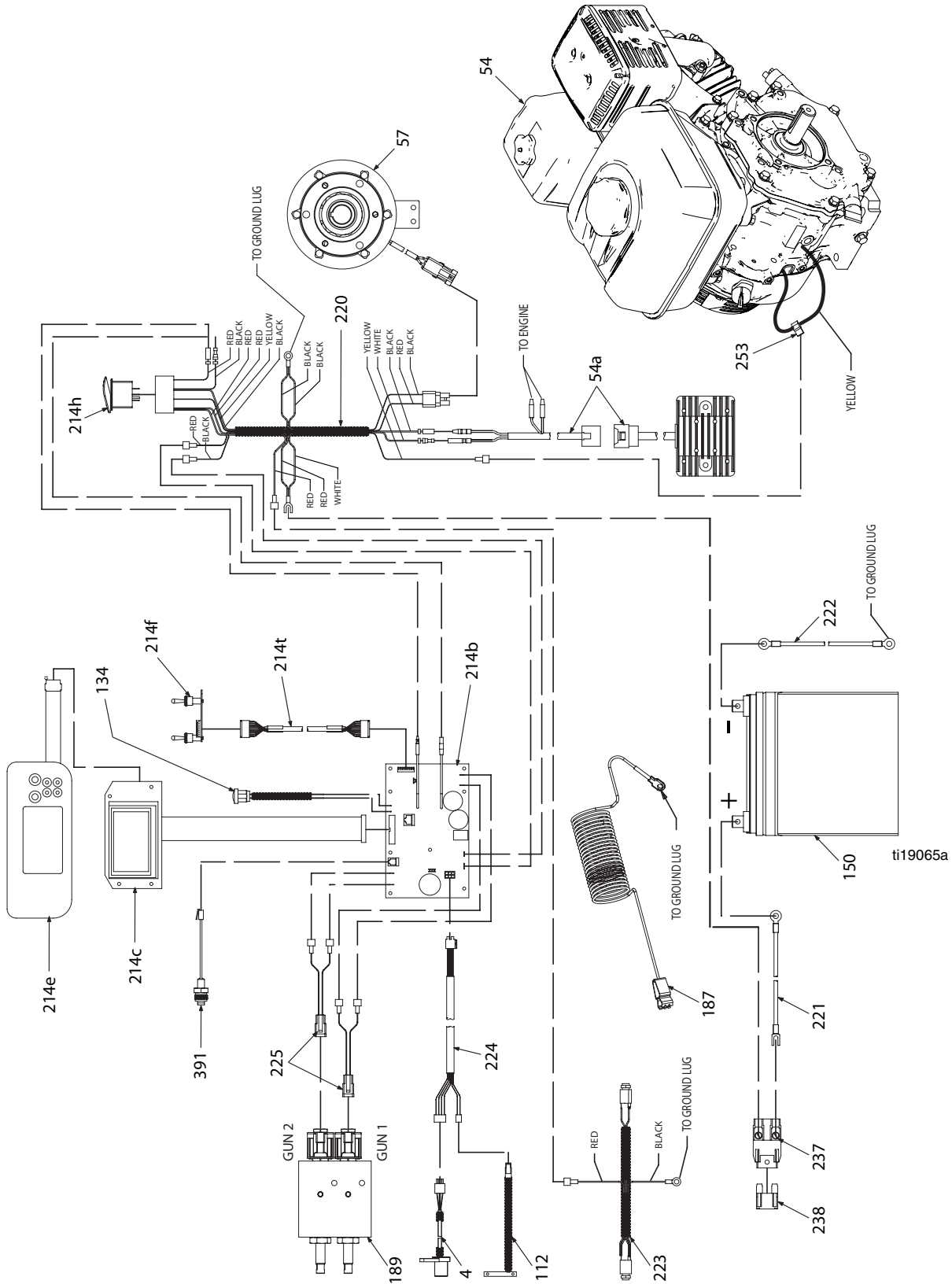
# Plumbing Parts



## Plumbing Parts List

Ref.	Part	Description	Qty.	Ref.	Part	Description	Qty.
2	125929	MOTOR, wheel	2	193	24M625	TUBE, supply, hydraulic	1
22	16M271	HOSE, coupled, assembly, LL250	2	194	24M626	TUBE, supply, hydraulic	1
63	247930	KIT, repair, hydraulic pump	1	196	126082	FITTING, tee, #8 x #8 x #6 JIC	1
108	117328	FITTING, nipple, straight	1	197	126080	FITTING, tee, street	1
109	117441	VALVE, ball	1	198	126081	FITTING, nipple, 3/8-18 x #6 JIC	1
110	287175	KIT, repair, hose, hydraulic s	1	309	16M160	COVER, reservoir, LL250, painted	1
111	287176	KIT, repair, hose, hydraulic r	1	333	120184	FITTING, hydraulic	1
147	126061	FITTING, #8 JIC tee, swivel	1	366	117607	FITTING, elbow std thd	2
165	16M275	HOSE, coupled, return line, LL250	1	370	100139	PLUG, pipe	2
166	16M276	HOSE, coupled, feed line, LL250	1	371	15F519	TUBE, hydraulic, supply	2
189	16N513	MANIFOLD, hydraulic, two piston	1	372	119841	FITTING, tee, branch	1
191	116829	FITTING, 90 degree, w/adjustable	2				

# Wiring Diagram



## Wiring Parts List

Ref.	Part	Description	Qty.	Ref.	Part	Description	Qty.
54	24N501	KIT, repair, engine, GX270 (includes 54a)	1	214h	126078	SWITCH, rocker, dpdt	1
57	125877	CLUTCH, electric, LL250	1	214t	16P019	HARNESS, switch board	1
112	119720	SWITCH, reed w/connector	1	220	16N407	HARNESS, wire, LL250	1
134	24L904	CONTROL, handlebar	1	221	16N542	WIRE, positive battery	1
150	115753	BATTERY, 33 AH, sealed	1	222	16N541	WIRE, negative battery	1
187	237686	WIRE, ground assembly w/ clamp	1	223	16N540	HARNESS, light connection	1
189	16N513	MANIFOLD, hydraulic, two piston	1	224	16N539	HARNESS, sensor adapter	1
214b	24N565	KIT, repair, control board	1	225	16N543	HARNESS, wire, hydraulic actuator	2
214c	24N564	KIT, repair, display board	1	237	126095	HOLDER, fuse	1
214e	16N374	SWITCH, membrane	1	238	126096	FUSE, 30A	1
214f	24N566	KIT, repair, switch board	1	253	114956	TERMINAL, wire tap, insulated	1
				391	24N516	KIT, repair, transducer	1

# Graco Standard Warranty

Graco warrants all equipment referenced in this document which is manufactured by Graco and bearing its name to be free from defects in material and workmanship on the date of sale to the original purchaser for use. With the exception of any special, extended, or limited warranty published by Graco, Graco will, for a period of twelve months from the date of sale, repair or replace any part of the equipment determined by Graco to be defective. This warranty applies only when the equipment is installed, operated and maintained in accordance with Graco's written recommendations.

This warranty does not cover, and Graco shall not be liable for general wear and tear, or any malfunction, damage or wear caused by faulty installation, misapplication, abrasion, corrosion, inadequate or improper maintenance, negligence, accident, tampering, or substitution of non-Graco component parts. Nor shall Graco be liable for malfunction, damage or wear caused by the incompatibility of Graco equipment with structures, accessories, equipment or materials not supplied by Graco, or the improper design, manufacture, installation, operation or maintenance of structures, accessories, equipment or materials not supplied by Graco.

This warranty is conditioned upon the prepaid return of the equipment claimed to be defective to an authorized Graco distributor for verification of the claimed defect. If the claimed defect is verified, Graco will repair or replace free of charge any defective parts. The equipment will be returned to the original purchaser transportation prepaid. If inspection of the equipment does not disclose any defect in material or workmanship, repairs will be made at a reasonable charge, which charges may include the costs of parts, labor, and transportation.

**THIS WARRANTY IS EXCLUSIVE, AND IS IN LIEU OF ANY OTHER WARRANTIES, EXPRESS OR IMPLIED, INCLUDING BUT NOT LIMITED TO WARRANTY OF MERCHANTABILITY OR WARRANTY OF FITNESS FOR A PARTICULAR PURPOSE.**

Graco's sole obligation and buyer's sole remedy for any breach of warranty shall be as set forth above. The buyer agrees that no other remedy (including, but not limited to, incidental or consequential damages for lost profits, lost sales, injury to person or property, or any other incidental or consequential loss) shall be available. Any action for breach of warranty must be brought within two (2) years of the date of sale.

**GRACO MAKES NO WARRANTY, AND DISCLAIMS ALL IMPLIED WARRANTIES OF MERCHANTABILITY AND FITNESS FOR A PARTICULAR PURPOSE, IN CONNECTION WITH ACCESSORIES, EQUIPMENT, MATERIALS OR COMPONENTS SOLD BUT NOT MANUFACTURED BY GRACO.** These items sold, but not manufactured by Graco (such as electric motors, switches, hose, etc.), are subject to the warranty, if any, of their manufacturer. Graco will provide purchaser with reasonable assistance in making any claim for breach of these warranties.

In no event will Graco be liable for indirect, incidental, special or consequential damages resulting from Graco supplying equipment hereunder, or the furnishing, performance, or use of any products or other goods sold hereto, whether due to a breach of contract, breach of warranty, the negligence of Graco, or otherwise.

## Graco Information

For the latest information about Graco products, visit [www.graco.com](http://www.graco.com).

**TO PLACE AN ORDER**, contact your Graco distributor or call 1-800-690-2894 to identify the nearest distributor.

*All written and visual data contained in this document reflects the latest product information available at the time of publication.  
Graco reserves the right to make changes at any time without notice.*

*For patent information, see [www.graco.com/patents](http://www.graco.com/patents).*

Original instructions. This manual contains English. MM 3A2598

**Graco Headquarters:** Minneapolis

**International Offices:** Belgium, China, Japan, Korea

**GRACO INC. P.O. BOX 1441 MINNEAPOLIS, MN 55440-1441**

**Copyright 2010, Graco Inc. is registered to ISO 9001**

[www.graco.com](http://www.graco.com)

Revision A - May 2012