

Air Controls

312374J

EN

***Integrated and 2-Button Interlock Air Controls for use with Supply Systems.
For professional use only.***



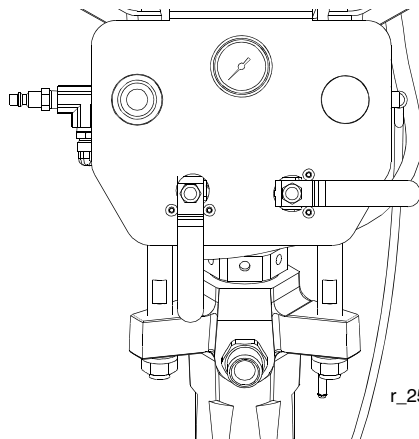
Important Safety Instructions

Read all warnings and instructions in this manual.
Save these instructions.

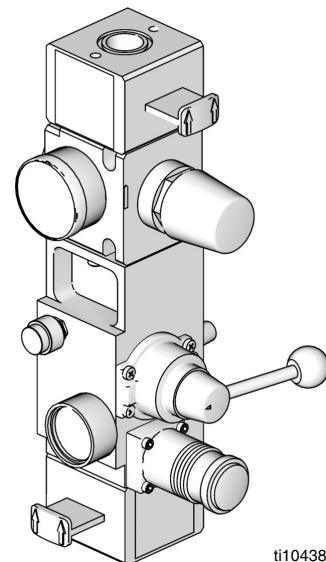
See page 2 for Model information.

Integrated Air Controls

L20c Air Controls



r_257302_312376_2e



ti10438a

Contents

Contents	2	L20c Air Controls	9
Models	2	Pressure Relief Procedure	9
Integrated Air Controls	3	Disassembly	9
Pressure Relief Procedure	3	Replace Air Motor Regulator	9
Disassembly	3	Replace Air Motor Shutoff Valve and Ram Shutoff Valve	9
Replace Director Valve	4	Remove Blowoff Push Button	9
Replace Air Motor Regulator	4	Reassembly	9
Replace Ram Air Regulator	5	Parts	10
Reassembly	5	L20c Air Controls, 257613	10
2-Button Interlock	6	Integrated Air Controls	11
Attach Roller Switch and Actuator	6	Integrated Air Controls	12
Attach 2-Button Interlock Assembly	7	2-Button Interlock Kit	13
		Pneumatic Schematic	14
		Integrated Air Control Module	14
		Integrated Air Control Module with Optional 2-Button Interlock	15
		Graco Standard Warranty	16
		Graco Information	16

Models

Air Controls

Model No.	Description	Maximum Regulated Working Pressure psi (MPa, bar)	Air Inlet Size	Compatible 2-Button Interlock Model
255650	Integrated Air Controls for D60, D200, and D200s	150 (0.69, 6.9)	3/4 npt(f)	255719 255720
24C824	Integrated Air Controls for D200 and D200s (Ram only, no pump control)	150 (0.69, 6.9)	3/4 npt(f)	255719 255720
257612	Air Controls, For S20 3 in., 5 Gallon (20 Liter) Supply Systems	150 (0.69, 6.9)	1/2 npt(f)	NA
257613	Air Controls, For L20c 3 in., 5 Gallon (20 Liter) Supply Systems	100 (0.7, 7)	1/2 npsm(f)	255615

2-Button Interlock

Model No.	Description
257615	Two-Button Interlock, For D60 3 in., 16 Gallon (60 Liter) Supply Systems
255719	Two-Button Interlock, For D200 3 in., 55 Gallon (200 Liter) Supply Systems
255720	Two-Button Interlock, For D200s 6.5 in., 55 Gallon (200 Liter) Supply Systems

Integrated Air Controls

<p>To reduce the risk of serious injury whenever you are instructed to relieve the pressure, follow the Pressure Relief Procedure.</p>							

Pressure Relief Procedure

1. Close the air motor slider valve (E) and the main air slider valve (F).
2. Set the ram director valve to DOWN. The ram will slowly drop.
3. Jog the director valve up and down to bleed air from ram cylinders.

Disassembly

1. **For Supply Systems with Shrouds:** Remove shrouds. Loosen six captive screws (A) and disassemble shrouds (B) from supply system.

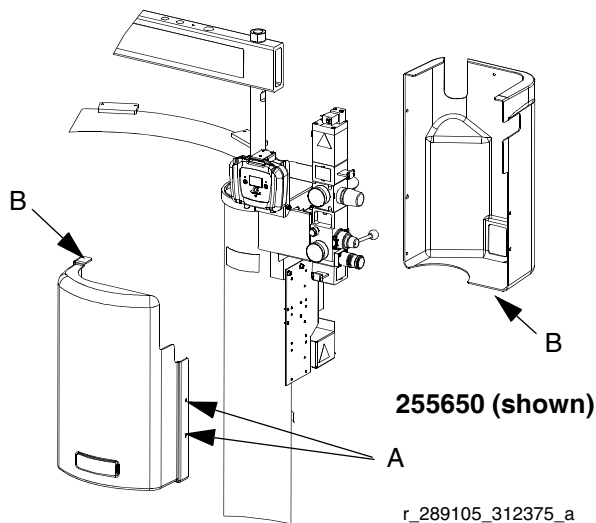


FIG. 1

2. Disconnect all hoses and tubing from existing air control.
3. Remove four screws (C) from the mounting bracket (D) and remove the integrated air controls from the supply system.

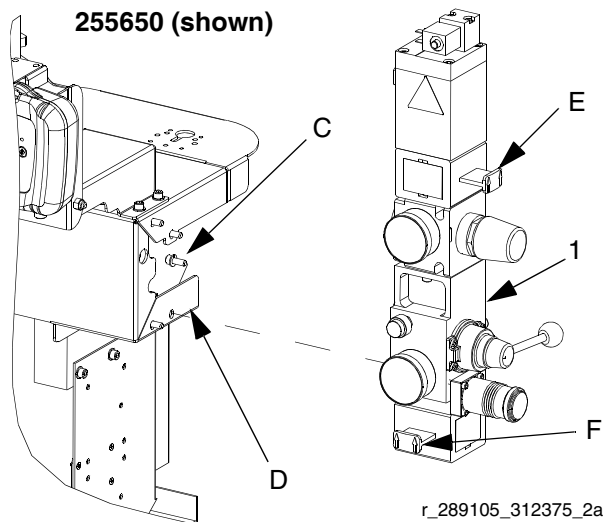


FIG. 2

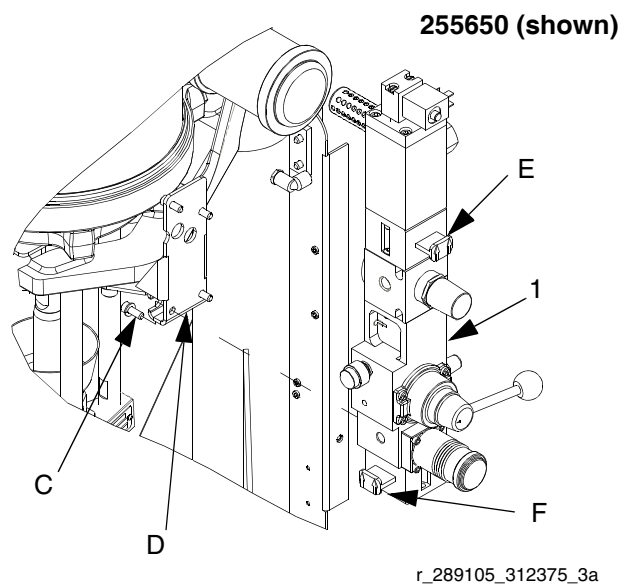


FIG. 3

If you are not replacing the manifold (1), you may prefer to remove the bracket from the ram and leave it attached to the integrated air controls because the screws are easier to reach. See FIG. 4.

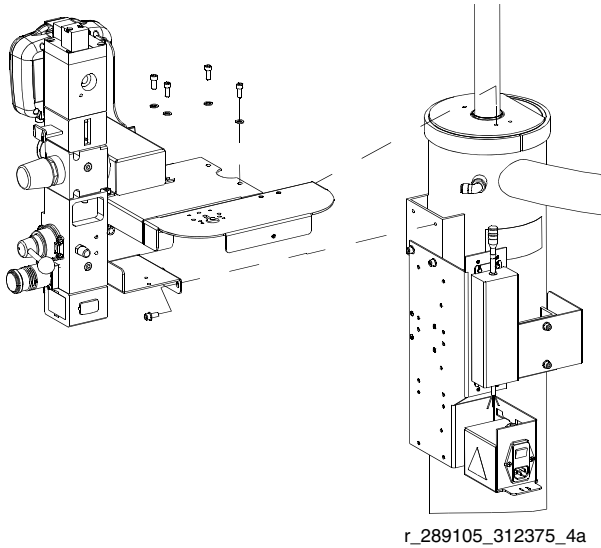



FIG. 4

Replace Director Valve

Numbers in parentheses refer to FIG. 5.

1. Relieve pressure.
 2. Remove screws (4a) and take off director valve.
 3. Remove spring (4c), valve plate (4d), and o-ring (4b).
-  Note the orientation of the director valve plate when you remove it. The opening should be on the opposite side (left) of the lever.
4. Remove and discard pin (4g) and four valve seats (4e) with o-rings (4f).
 5. Insert new valve seats (4e) with o-rings (4f) and new pin.
 6. Insert new director valve plate (4d, see Note above) spring (4c), and o-ring (4b).
 7. Attach new director valve with screws (4a). Tighten screws until snug.

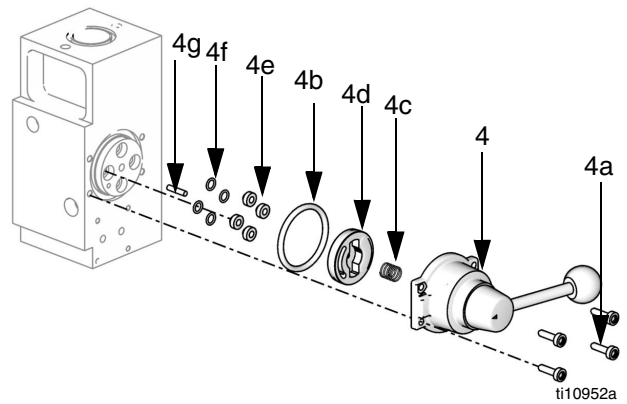


FIG. 5

Replace Air Motor Regulator

Numbers in parentheses refer to **Parts**, page 11. Air motor regulator not included with 24C824 integrated air controls.

1. Relieve pressure.
2. Disconnect air motor hosing and fittings.
3. Remove two screws (9) and take off the shutoff valve (3) at top of module. If your supply system has an air solenoid, it can remain attached to the shutoff valve.
4. Remove two screws (9) and take off the air motor regulator (6).
5. Attach new regulator to manifold. Orient so the gauge lines up with the gauge on the ram air regulator and the direction of flow arrow points up. Tighten screws until snug. Recommend using thread locker Loctite 220 or equivalent.
6. Reattach shutoff valve (3) at top of regulator. Make sure that o-ring (5) is in place on valve (3).

Replace Ram Air Regulator

Numbers in parentheses refer to **Parts**, page 10.

1. Relieve pressure.
2. Remove four screws (7a) and take off the ram air regulator (7).
3. Replace o-rings (7b) on back side of regulator.
4. Attach new air regulator to manifold. Use index pin for correct orientation. Tighten screws until snug.

Reassembly

1. Using four screws, attach the integrated air controls to the mounting bracket. See FIG. 2.
2. Attach the ram up, ram down, and blowoff air lines as shown in Figure FIG. 6.

255650 (shown)

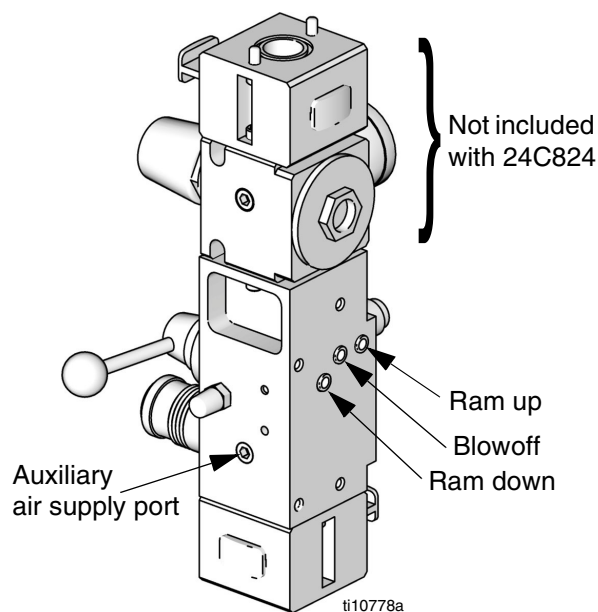


FIG. 6

3. Attach all other hoses and replace shrouds.

2-Button Interlock

<p>To reduce the risk of serious injury whenever you are instructed to relieve the pressure, follow the Pressure Relief Procedure, page 3.</p>						

Attach Roller Switch and Actuator

1. Attach roller switch (133) to bracket (132). Position roller switch to far back position on the bracket and leave mounting screws (144) loose.
2. Attach bracket (132) to ram with screws (105) and washers (106). Leave screws loose. See FIG. 7 and FIG. 8.

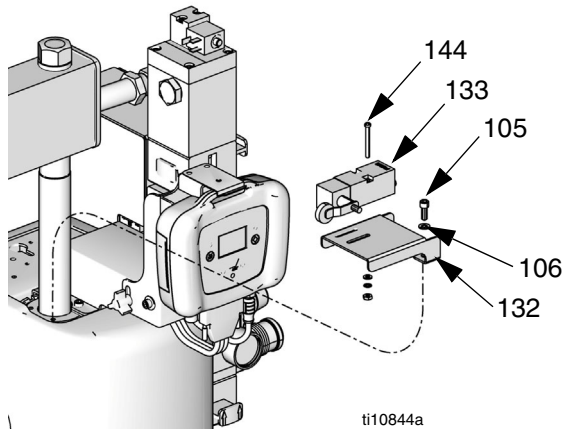


FIG. 7: D200 and D200s Bracket

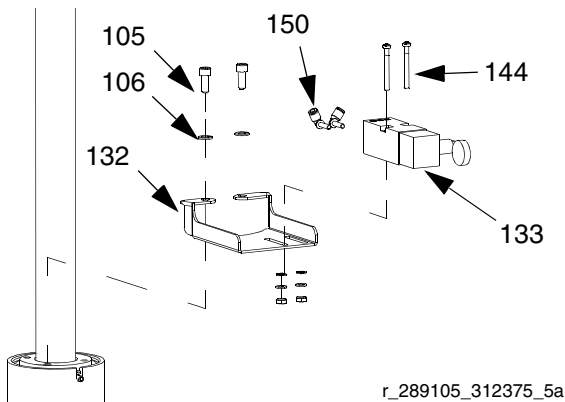


FIG. 8: D60 Bracket

3. Raise platen to top of drum.
4. Attach actuator bracket.
 - a. For D200 and D200s supply systems: Attach actuator bracket (138) near bottom of lift rod so it engages the roller switch when the platen reaches the top of the drum.

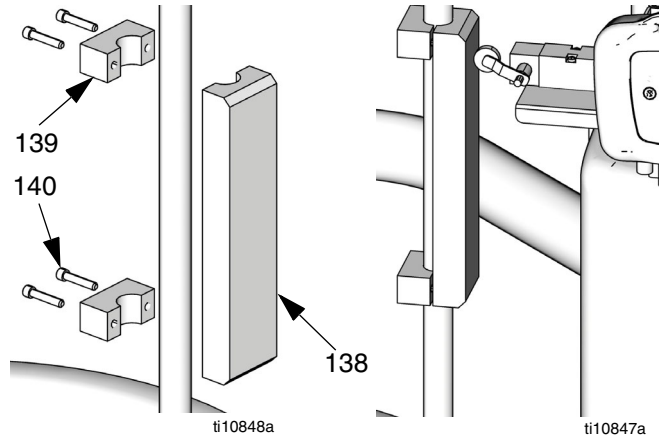


FIG. 9

- b. For D60 supply systems: Loosen one screw (151a) and remove one screw (152b). Align actuator rod (151) on piston rod so it touches the air motor mounting bracket. Tighten actuator rod to piston rod with four screws (140).

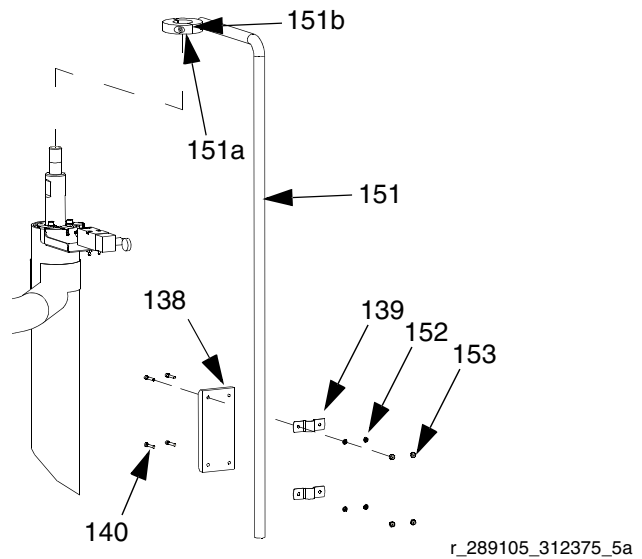


FIG. 10

5. Tighten actuator bracket to rod using 4 screws (140) and bracket clamps (139).
6. Adjust the roller switch (133) out so it contacts actuator bracket (138), then tighten screws (144).
7. Tighten bracket (132) to ram with screws (105) and washers (106).
8. Connect main air (S1) to port (S1) on roller switch (133) with 15 in. of tubing (146).
9. Connect switch signal air (S2) to port (S2) on roller switch (133) with 15 in. of tubing (146).
10. *For D60 supply systems:* Install two fittings (150) into (S1) and (S2).

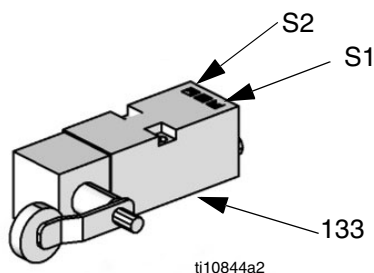


FIG. 11:

Attach 2-Button Interlock Assembly

See FIG. 12.

1. Relieve pressure.
2. Remove shrouds. See FIG. 1.
3. Disconnect air lines.
4. Remove integrated air controls from bracket. See **Disassembly**, page 3.
5. Remove back cover from 2-button interlock assembly (130).
6. Position 2-button interlock assembly between air control bracket and air controls. The screws that attach the integrated air controls to the supply system also attach the 2-button interlock assembly.

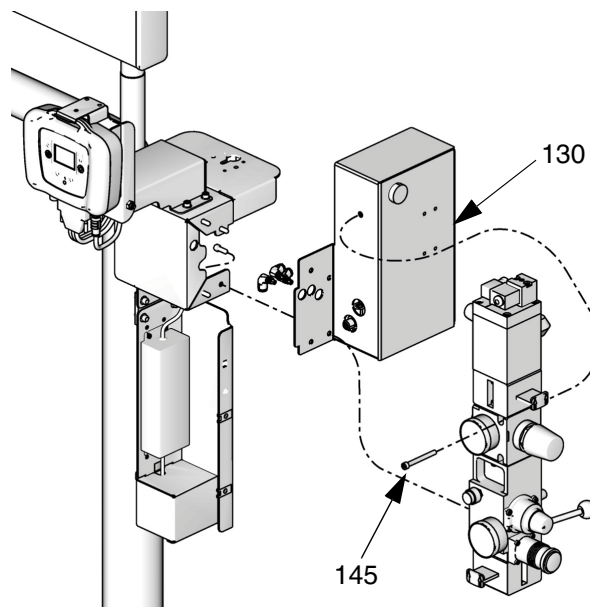



FIG. 12

7. Reattach integrated air controls. See **Reassembly**, page 5.
8. Insert cap screw (145) through integrated air controls into 2-button interlock module. See FIG. 12.

See FIG. 13 for steps 9 - 14.

9. Inside 2-button interlock module, disconnect elbow fitting (6) and push fittings (7) from tee fitting (5). Remove plug (8) from auxiliary air supply port on back of integrated air controls. Install tee fitting (5) through into the port and through the opening in the bracket. Reconnect elbow fitting (6) and push fittings (7). Reinstall plug (8) at top of tee fitting (5).
10. Connect tubing (147) from ram down fitting on back of air controls to fitting (D1) on right side of bottom pilot valve. See FIG. 13.
11. Connect tubing from ram down fitting near top of ram cylinder to fitting (D2) on left side of bottom pilot valve. See FIG. 13.

12. Connect tubing (147) from ram up fitting on back of air controls to fitting (U1) on right side of top pilot valve. See FIG. 13.
13. Connect tubing from ram up fitting near bottom of ram cylinder to fitting (U2) on left side of top solenoid.
14. Connect blowoff air (B1) to blowoff air connector on platen.
15. Replace cover on 2-button interlock assembly.

 It may be necessary to rearrange tubing so cover will fit back on assembly.

16. Attach all other hoses and replace shrouds.

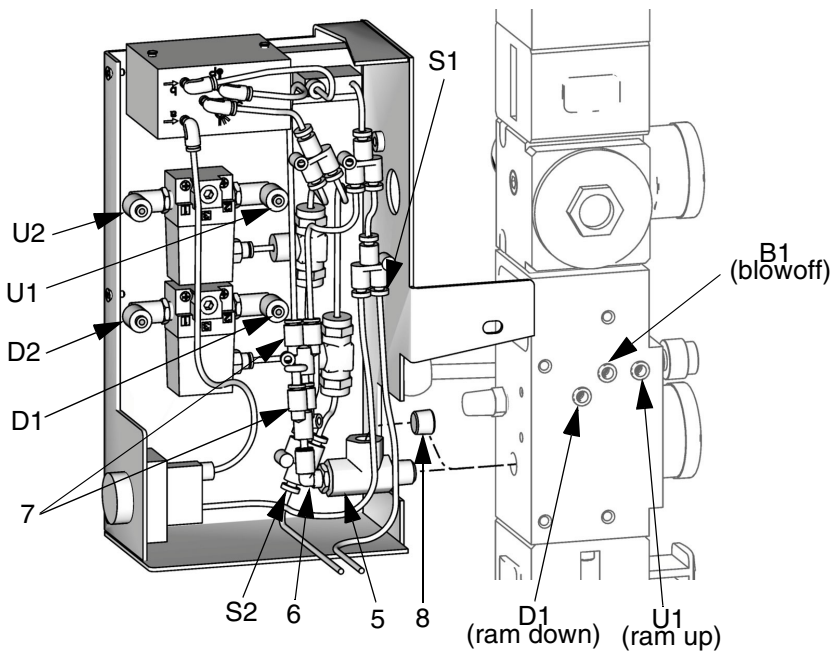
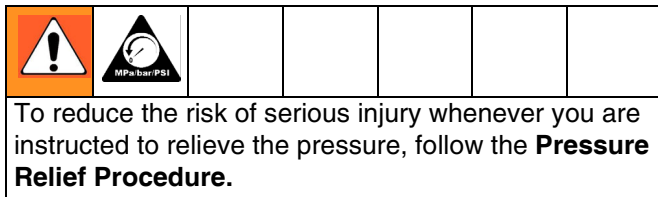


FIG. 13

L20c Air Controls



Pressure Relief Procedure

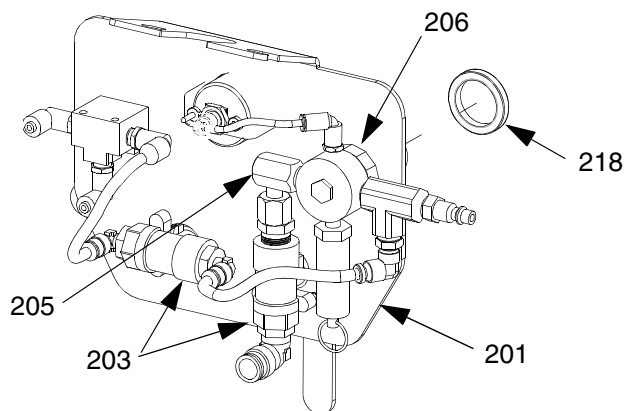
1. Close the air motor shutoff valve (E) and remove air line from air control coupling (x).
2. Set the elevator director valve to DOWN. The ram will slowly drop.

Disassembly

1. Remove two screws that attach air control panel to elevator.
2. Disconnect all hoses and tubing from existing air control.

Replace Air Motor Regulator

1. Loosen swivel fitting (205) between regulator (206) and air motor shutoff valve (203).
2. Remove nut (218) from front of regulator and pull regulator out of panel (201).



r_289105_312375_8a

FIG. 14

Replace Air Motor Shutoff Valve and Ram Shutoff Valve

See parts illustration on page 10.

1. Remove two screws (211) from air motor shutoff valve and two screws (209) from ram shutoff valve.
2. Remove valve assemblies from panel.

Remove Blowoff Push Button

See parts illustration on page 10.

1. Hold button in place and remove screw.
2. Remove nut underneath button and push button from panel (201).

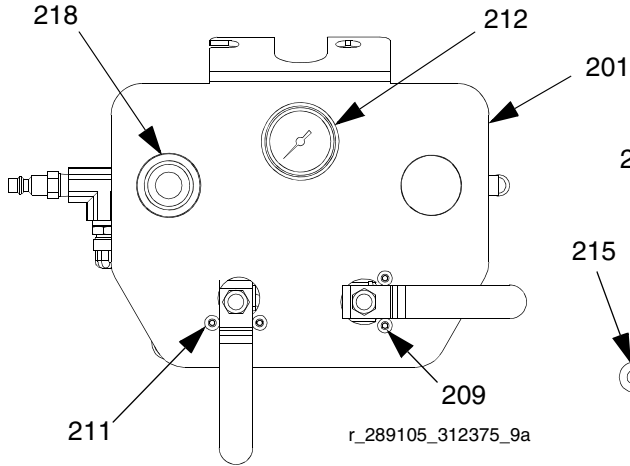
Reassembly

1. Replace parts as needed and reassemble them in the reverse order of disassembly.
2. Connect all hoses and tubing.
3. Install air controls on elevator with two screws and lockwashers from kit 257613. See manual 313527.

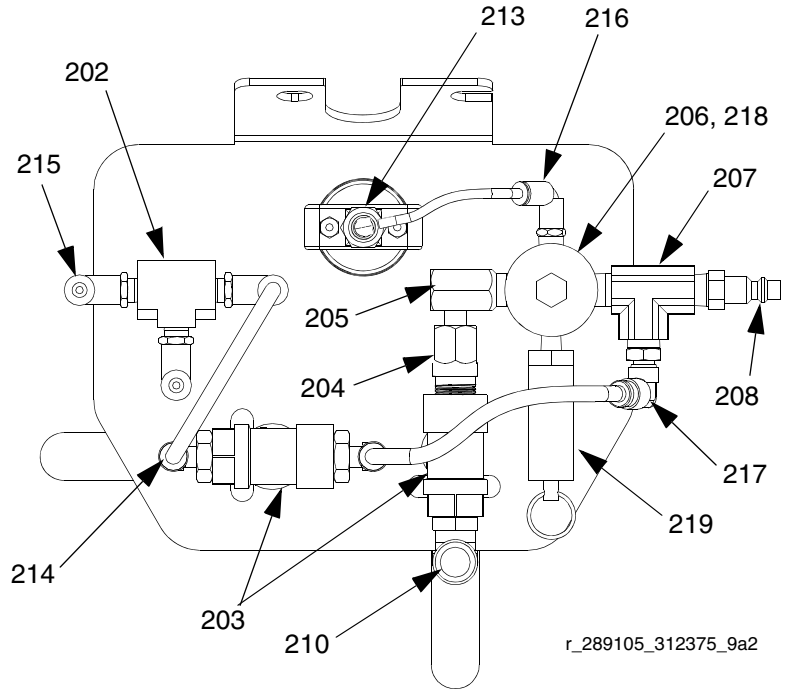
Parts

L20c Air Controls, 257613

Front View



Back View

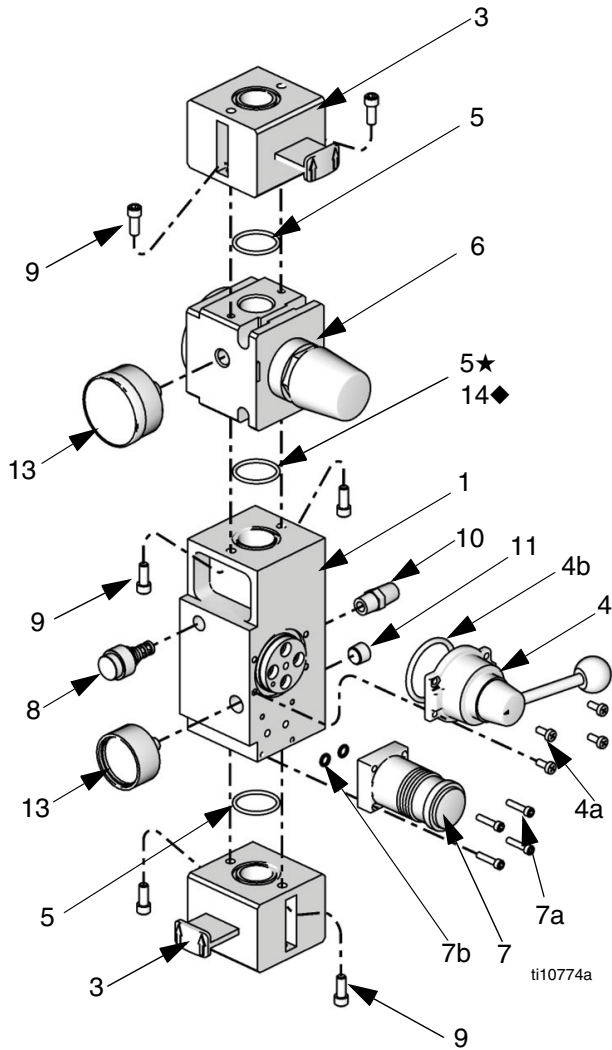


Ref.	Part	Description	Qty.
201		PANEL	1
202	517313	VALVE, 3 way	1
203	114362	VALVE, ball, air	2
204		FITTING, adapter	1
205		FITTING, 90° swivel	1
206	110318	REGULATOR	1
207		FITTING, tee	1
208		FITTING, line, air	1
209		SCREW, cap; 10-24 x 0.375 in.	2
210		FITTING, elbow	1
211		SCREW, cap; 10-24 x 0.625 in.	2
212	15T500	GAUGE	1
213		FITTING, 90° swivel	1
214		FITTING, elbow	2
215		FITTING, elbow	3
216		FITTING, elbow	1
217		FITTING, swivel	1
218		NUT, regulator	1
219		SAFETY, valve	1

Mounting screws and lockwashers are included with kit 257613. See manual 313527.

Integrated Air Controls

Model 255650; D200s, D200, and D60 Model 257612; S20



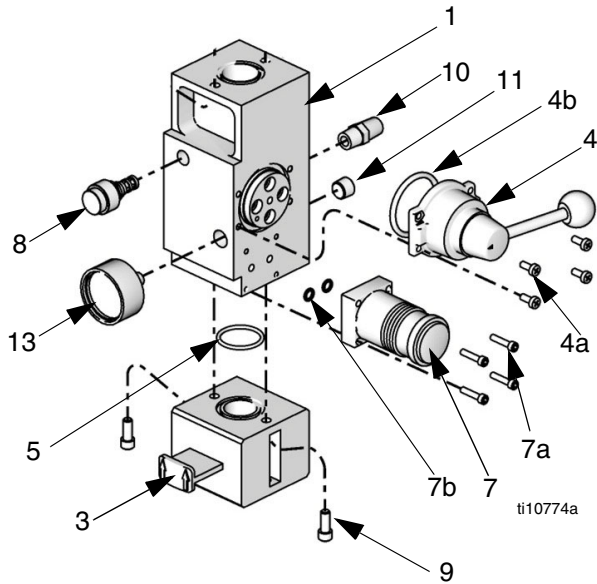
Ref.	Part	Description	Qty.
1		MANIFOLD	1
3	★ 121108	VALVE, shutoff (includes o-rings and screws)	2
	◆ 121793	VALVE, shutoff (includes o-rings and screws)	2
4	121107	VALVE, director (includes 4a and 4b, plus all parts shown in FIG. 5)	1
4a		SCREW	4
4b		O-RING	1
5	★ 121110	O-RING, buna	3
	◆ 102620	O-RING, buna	2
6	★ 255651	REGULATOR, air motor (includes regulator, o-ring, and screws)	1
	◆ 257614	REGULATOR, air motor (includes regulator, o-ring, and screws)	1
7	121106	REGULATOR, ram (includes 7a and 7b)	1
7a		SCREWS	4
7b		O-RING	2
8	121109	VALVE, blowoff (includes valve and push button)	1
9	★ 121112	SCREW, cap, socket head 1/4-20 x 5/8	6
	◆ 120039	SCREW, cap, socket head 10-32 x 1/2	6
10	517449	MUFFLER	1
11	100721	PLUG, pipe, auxiliary air supply	1
13	★ 101689	GAUGE, air pressure, 0-200 psi (0-1.4 MPa, 0-14 bar)	2
	◆ 113911	GAUGE, air pressure, 0-160 psi (0-1.1 MPa, 0-11 bar)	2
14	◆ 107204	O-RING, buna	1

★ For D200s, D200, and D60 supply systems only.

◆ For S20 supply systems only.

Integrated Air Controls

Model 24C824; D200s and D200



Ref.	Part	Description	Qty.
1		MANIFOLD	1
3	121108	VALVE, shutoff (includes o-rings and screws)	1
4	121107	VALVE, director (includes 4a and 4b, plus all parts shown in FIG. 5)	1
4a		SCREW	4
4b		O-RING	1
5	121110	O-RING, buna	1
7	121106	REGULATOR, ram (includes 7a and 7b)	1
7a		SCREWS	4
7b		O-RING	2
8	121109	VALVE, blowoff (includes valve and push button)	1
9	121112	SCREW, cap, socket head 1/4-20 x 5/8	2
10	517449	MUFFLER	1
11	100721	PLUG, pipe, auxiliary air supply	1
13	101689	GAUGE, air pressure, 0-200 psi (0-1.4 MPa, 0-14 bar)	1

2-Button Interlock Kit

Model 255719

(For D200 3-in., 55 gallon (200 liter) supply systems with NXT 2200, 3400 and 6500 Air Motors only)

Model 255720

(For D200s 6.5-in., 55 gallon (200 liter) supply systems with NXT 2200, 3400 and 6500 Air Motors only)

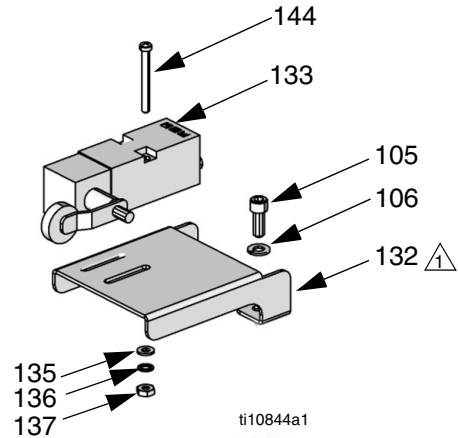
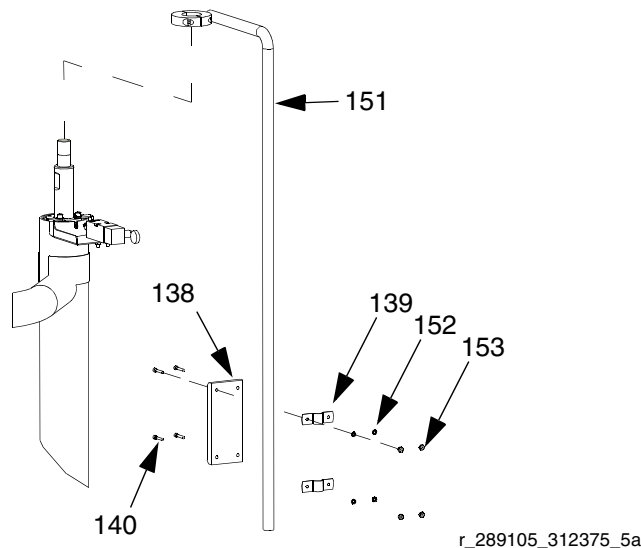
Model 257615

(For D60 3-in., 16 gallon (60 liter) supply systems)

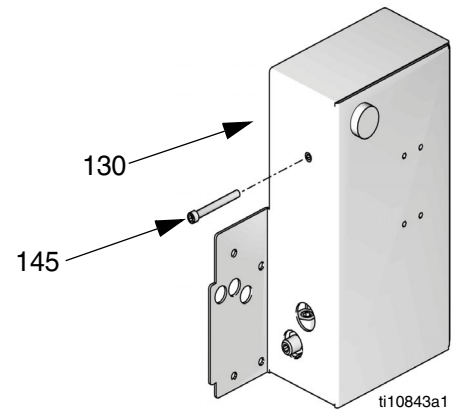
Ref.	Part	Description	Qty.
105		SCREW, cap, 1/4-20 x 5/8	2
106		WASHER, lock, 1/4	2
130		AIR CONTROL, 2-button interlock	1
132		BRACKET, switch, mounting	1
	✱	BRACKET, switch, mounting	1
133		VALVE, roller operated	1
135		WASHER, no. 8	2
136		WASHER, lock, no. 8	2
137		NUT, hex, 8-32	2
138		BRACKET, actuator	1
139		BRACKET, actuator, mounting	2
140		SCREW, cap, 1/4-20 x 1 1/4	4
	✱	SCREW, cap, 8/32 x 1	4
144		SCREW, panhead, 8-32 x 1 1/2	2
145		SCREW, cap, 1/4-20 x 2 1/2	1
146		TUBING, nylon, 5/32 in. (not shown)	30
147		TUBING, nylon, 1/4 in. (not shown)	30
150	✱	ELBOW, 90°; 5/32 tube x 5/32 OD	2
151	✱	ACTUATOR, weldment	1
152	✱	WASHER, plain-	4
153	✱	NUT, hex; 8/32	4

✱ For D60 2-button interlock kit 257615 only.

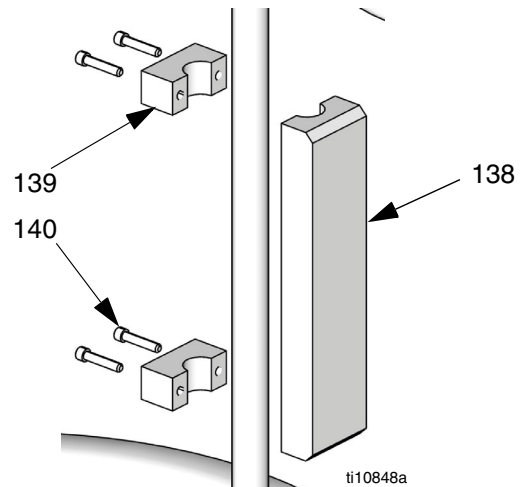
Actuator Bracket (138) for 257615



⚠ Flip mounting bracket 132 on D60 supply systems.

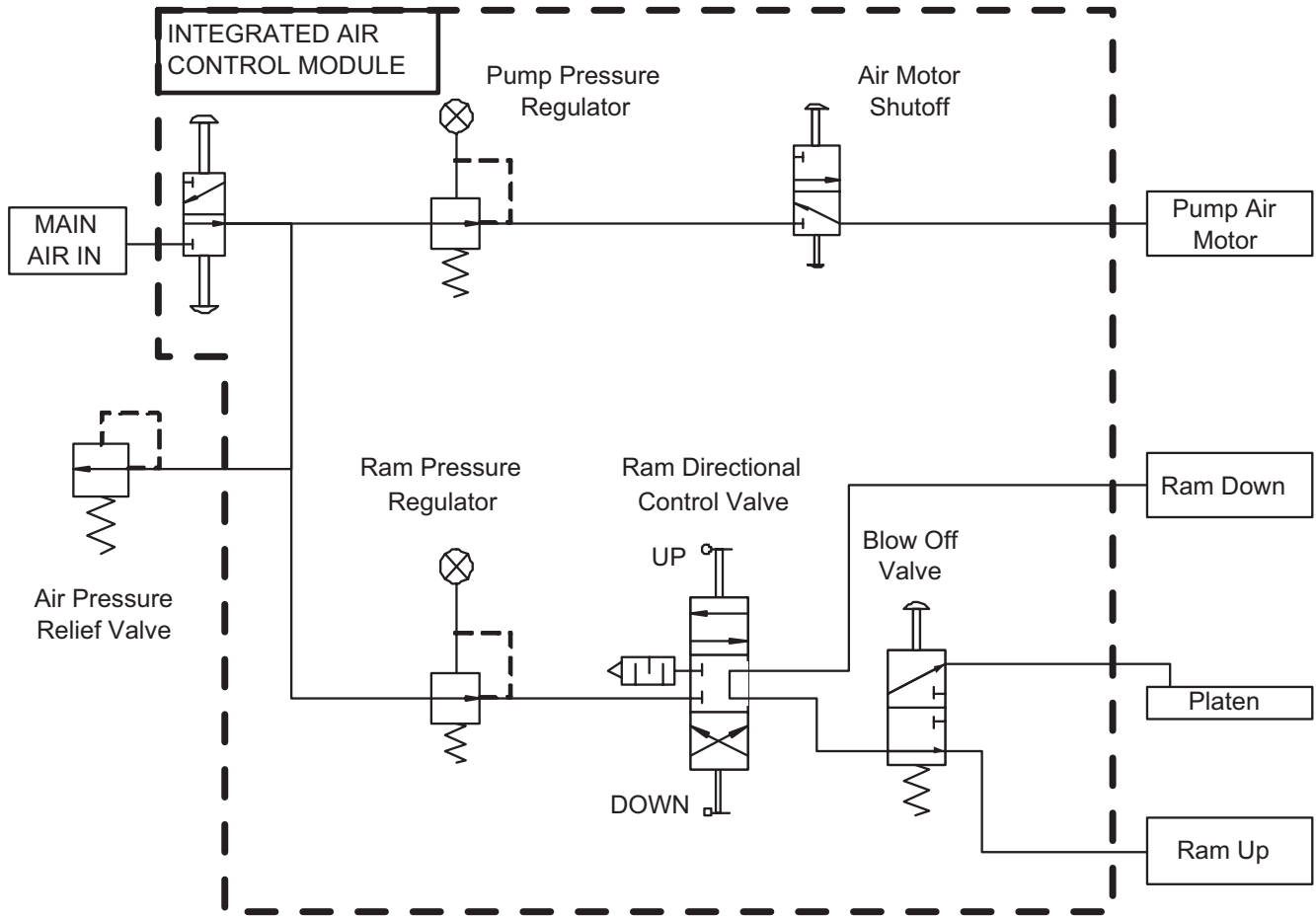


Actuator Bracket (138) for 255719 and 255720

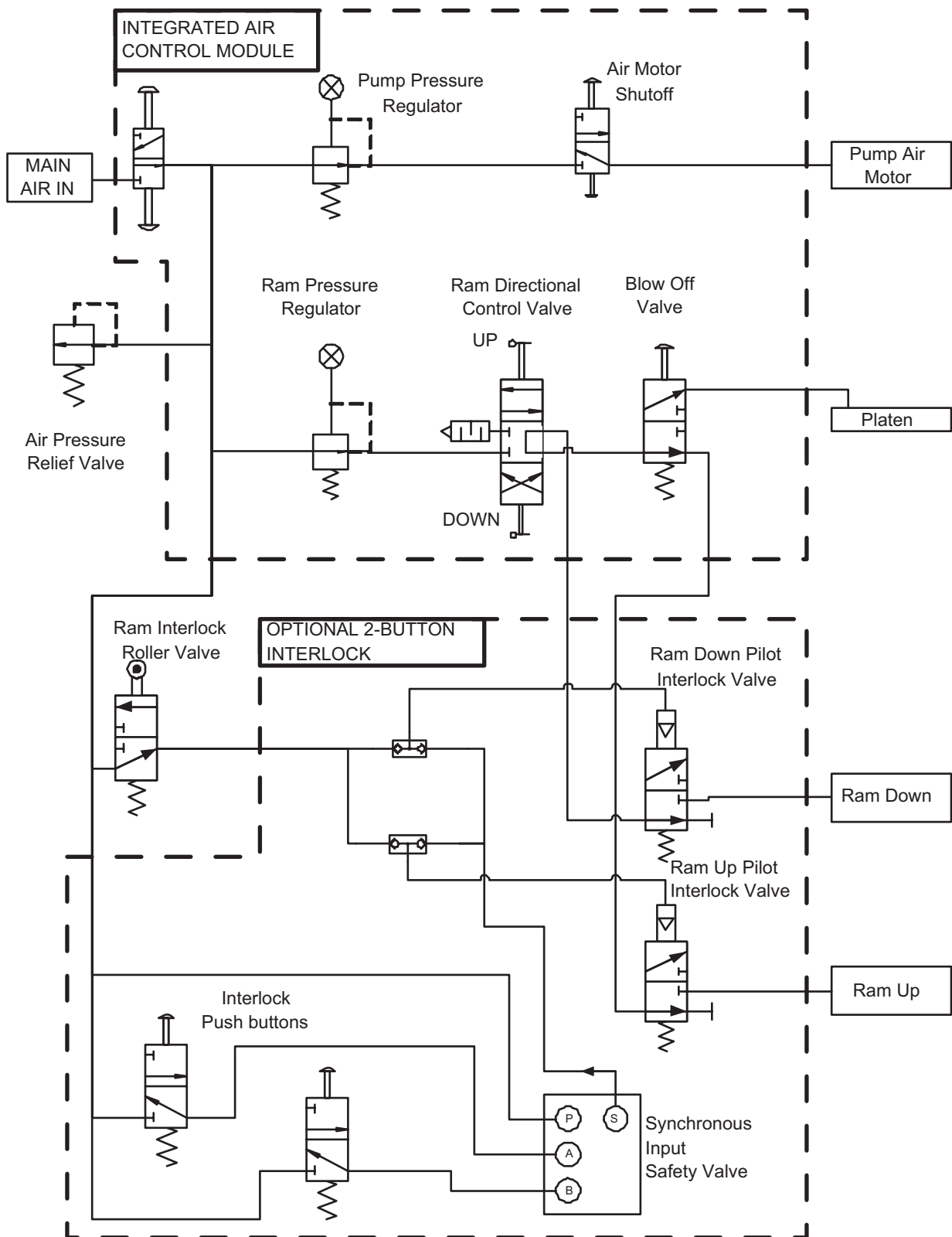


Pneumatic Schematic

Integrated Air Control Module



Integrated Air Control Module with Optional 2-Button Interlock



Graco Standard Warranty

Graco warrants all equipment referenced in this document which is manufactured by Graco and bearing its name to be free from defects in material and workmanship on the date of sale to the original purchaser for use. With the exception of any special, extended, or limited warranty published by Graco, Graco will, for a period of twelve months from the date of sale, repair or replace any part of the equipment determined by Graco to be defective. This warranty applies only when the equipment is installed, operated and maintained in accordance with Graco's written recommendations.

This warranty does not cover, and Graco shall not be liable for general wear and tear, or any malfunction, damage or wear caused by faulty installation, misapplication, abrasion, corrosion, inadequate or improper maintenance, negligence, accident, tampering, or substitution of non-Graco component parts. Nor shall Graco be liable for malfunction, damage or wear caused by the incompatibility of Graco equipment with structures, accessories, equipment or materials not supplied by Graco, or the improper design, manufacture, installation, operation or maintenance of structures, accessories, equipment or materials not supplied by Graco.

This warranty is conditioned upon the prepaid return of the equipment claimed to be defective to an authorized Graco distributor for verification of the claimed defect. If the claimed defect is verified, Graco will repair or replace free of charge any defective parts. The equipment will be returned to the original purchaser transportation prepaid. If inspection of the equipment does not disclose any defect in material or workmanship, repairs will be made at a reasonable charge, which charges may include the costs of parts, labor, and transportation.

THIS WARRANTY IS EXCLUSIVE, AND IS IN LIEU OF ANY OTHER WARRANTIES, EXPRESS OR IMPLIED, INCLUDING BUT NOT LIMITED TO WARRANTY OF MERCHANTABILITY OR WARRANTY OF FITNESS FOR A PARTICULAR PURPOSE.

Graco's sole obligation and buyer's sole remedy for any breach of warranty shall be as set forth above. The buyer agrees that no other remedy (including, but not limited to, incidental or consequential damages for lost profits, lost sales, injury to person or property, or any other incidental or consequential loss) shall be available. Any action for breach of warranty must be brought within two (2) years of the date of sale.

GRACO MAKES NO WARRANTY, AND DISCLAIMS ALL IMPLIED WARRANTIES OF MERCHANTABILITY AND FITNESS FOR A PARTICULAR PURPOSE, IN CONNECTION WITH ACCESSORIES, EQUIPMENT, MATERIALS OR COMPONENTS SOLD BUT NOT MANUFACTURED BY GRACO. These items sold, but not manufactured by Graco (such as electric motors, switches, hose, etc.), are subject to the warranty, if any, of their manufacturer. Graco will provide purchaser with reasonable assistance in making any claim for breach of these warranties.

In no event will Graco be liable for indirect, incidental, special or consequential damages resulting from Graco supplying equipment hereunder, or the furnishing, performance, or use of any products or other goods sold hereto, whether due to a breach of contract, breach of warranty, the negligence of Graco, or otherwise.

FOR GRACO CANADA CUSTOMERS

The Parties acknowledge that they have required that the present document, as well as all documents, notices and legal proceedings entered into, given or instituted pursuant hereto or relating directly or indirectly hereto, be drawn up in English. Les parties reconnaissent avoir convenu que la rédaction du présente document sera en Anglais, ainsi que tous documents, avis et procédures judiciaires exécutés, donnés ou intentés, à la suite de ou en rapport, directement ou indirectement, avec les procédures concernées.

Graco Information

For the latest information about Graco products, visit www.graco.com.

TO PLACE AN ORDER, contact your Graco distributor or call to identify the nearest distributor.

Phone: 612-623-6921 **or Toll Free:** 1-800-328-0211 **Fax:** 612-378-3505

*All written and visual data contained in this document reflects the latest product information available at the time of publication.
Graco reserves the right to make changes at any time without notice.*

For patent information, see www.graco.com/patents.

Original instructions. This manual contains English. MM 312374

Graco Headquarters: Minneapolis
International Offices: Belgium, China, Japan, Korea

GRACO INC. AND SUBSIDIARIES • P.O. BOX 1441 • MINNEAPOLIS MN 55440-1441 • USA
Copyright 2008, Graco Inc. All Graco manufacturing locations are registered to ISO 9001.

www.graco.com

Revision J, January 2015