

Filter Cap Conversion Kit for Xtreme™ Lowers

406882F

EN

1. For converting filter caps and o-rings on Series A Xtreme Lowers to the Series B filter caps and o-rings. This change results in improved sealing by using thicker cross-section PTFE o-rings which work with new filter caps (Ref. 20 & 26).

2. For converting series B short filter Xtreme pump lower sizes 36cc through 115cc to use the same long filters and supports that sizes 145cc through 290cc have always used. All sizes now use the same long filter screens with the series C top cap (Ref. 20). Using the long screens also eliminates the possibility of the short screens being installed upside down and blocking the flow.



Important Safety Instructions

Read all warnings and instructions in manual 311762. Save those instructions.

24F975 Filter Cap Conversion Kit for 36cc-290cc Lowers

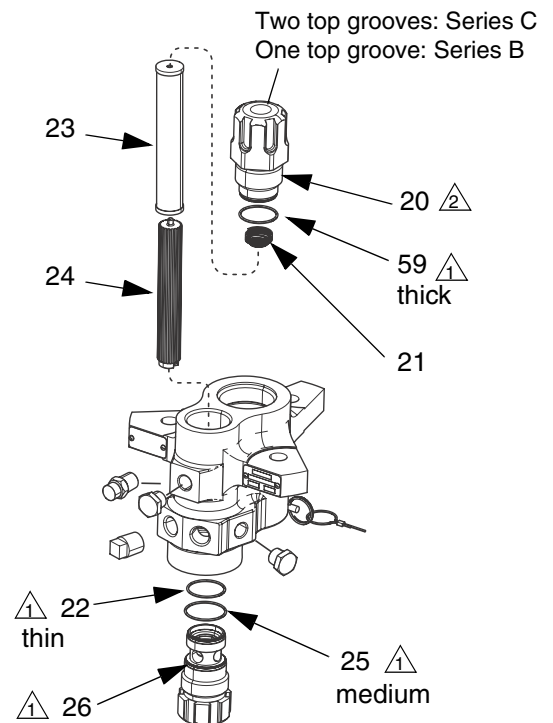
Ref.	Part	Description	Qty.
20	16M461	CAP, filter, top	1
21	171941	SPRING, filter	1
22	244895	O-RING, PTFE; thin (pack of 10)	1
23a*	224458	STRAINER, 30 mesh, long	1
23b*	224459	STRAINER, 60 mesh, long	1
24	186075	SUPPORT, long	1
25	262484	O-RING, PTFE; medium (pack of 10)	1
26	16M462	CAP, filter	1
59	262483	O-RING, PTFE; thick (pack of 10)	1

* Use filter of choice.

Note:

Thick, medium, and thin refers to the relative cross-section thickness of the o-ring seals.

The circular grooves on the face of top (20) and bottom (26) filter caps indicate that the pump has been converted to series B. All series B and later pumps use the filter seals listed above and the series B pump repair kits. Two grooves on the top cap (ref. 20) indicate that the pump lower is series C and will use the long strainer (23) and support (24), as well as the series B o-rings. See manual 311762 for repair kits.

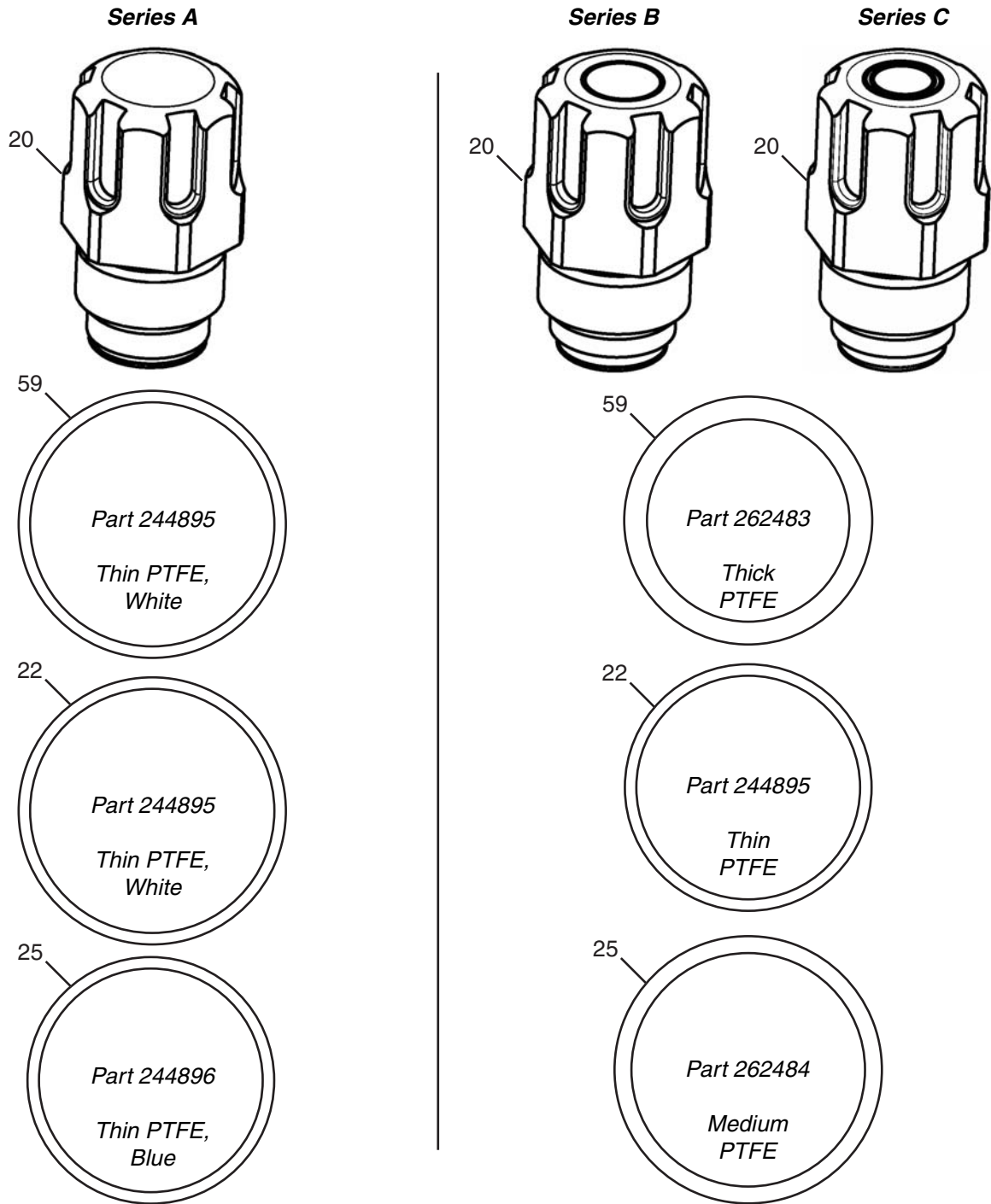


① Lubricate

② Torque to 40-60 ft-lb (52-82 N*m)

O-Ring Chart

NOTE: O-rings below are shown at actual size. Also, notice the differing number of rings on the different series filter caps (20).



All written and visual data contained in this document reflects the latest product information available at the time of publication. Graco reserves the right to make changes at any time without notice.

For patent information, see www.graco.com/patents.

Original instructions. This manual contains English. MM 406882

Graco Headquarters: Minneapolis
International Offices: Belgium, China, Japan, Korea

GRACO INC. AND SUBSIDIARIES • P.O. BOX 1441 • MINNEAPOLIS MN 55440-1441 • USA

Copyright 2010, Graco Inc. All Graco manufacturing locations are registered to ISO 9001.

www.graco.com

Revised February 2012