




# Parts List



## Ultra<sup>®</sup> Max II

311363L  
EN

*3300 psi (228 bar, 22.8 MPa) Maximum Working Pressure*

Vac	Model	Hi-Boy
<b>240 Europe</b> 	695	24M693
	795	24M696 253419
	795 Plus	24M699
	1095	24M700
<b>240 Europe Multi-cord</b> 	695	24M694
	795	24M697 253420
	1095	24M701
<b>240 Asia</b>	695	249681
	795	249683
	1095	249684
<b>240 Australia/New Zealand (ANZ)</b> 	695	249685
	795	249687
	1095	249688



### Important Safety Instructions

Read all warnings and instructions in operations manual. Save these instructions.

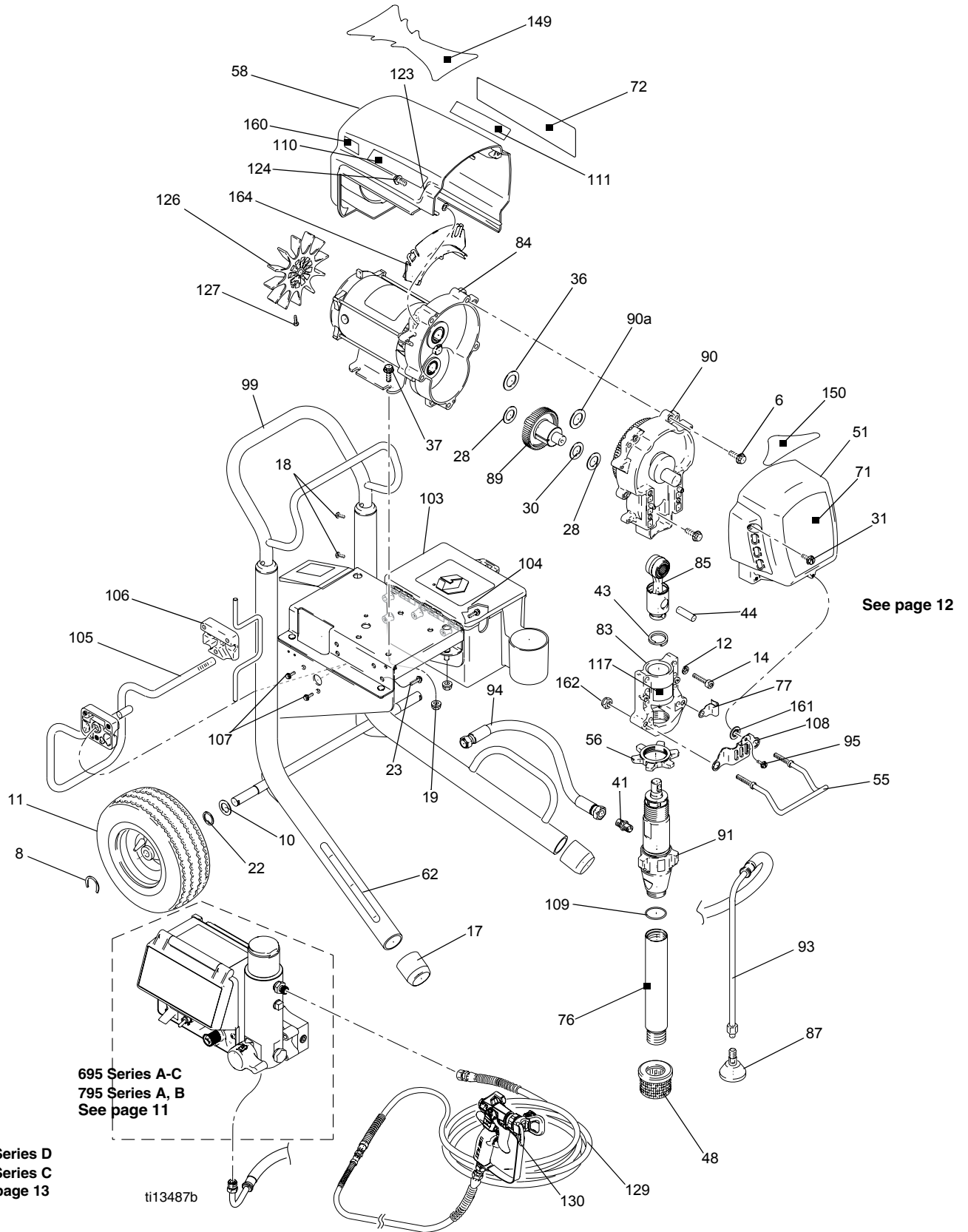
# Parts List: Ultra Max II 695/795 Hi-Boy

Ref.	Part No.	Description	Qty.	Ref.	Part No.	Description	Qty.
6	15C753	SCREW, mach, torx, hex	5	89	287289	GEAR, combination; <i>includes 28, 30</i>	1
8	15E891	CLIP, retaining	2				
10	156306	WASHER, flat	2	90		HOUSING, drive, M1; <i>includes 6, 36, 90a</i>	1
11*	119420	WHEEL, pneumatic	2				
12	106115	WASH, lock, spring	4		287283	695	
14	107210	SCREW, cap, socket hd	4		287284	795	
17	15C871	CAP, leg	2	90a	107089	WASHER, thrust	1
18	109032	SCREW, mach, pnh	4	91	248204	PUMP, displacement 695/795; <i>includes 109, Manual 310643</i>	1
19	112746	NUT, lock, nylon, thin	8				
22	116038	WASHER, wave spring	2	93	244240	HOSE, coupled; <i>includes 87</i>	1
23	110963	SCREW, cap, flng hd	2	94	15D049	HOSE, coupled, 1/4 x 15.75	1
28	114672	WASHER, thrust	2	95	114000	SCREW, control housing	1
30	114699	WASHER, thrust	1	99	287489	HANDLE, assy, hi cart	1
31	118444	SCREW, machine, hex washer hd	4	103	287253	TOOLBOX; includes 104	1
36	116191	WASHER, thrust	1	104	118852	SCREW, hex washer hd	3
37	100057	SCREW, cap, hex hd	4	105	15D281	HANGER, stand, cart	1
41	162453	FITTING, (1/4 NPSM x 1/4 NPT)	1	106	15C982	CAM, cart	2
43	176817	SPRING, retaining	1	107	114531	SCREW, mach, hex washer	4
44	176818	PIN, str, hdls	1	108	15C859	SHIELD, pump rod	1
48	189920	STRAINER, (1-11 1/2 NPSM)	1	109	118494	PACKING, o-ring	1
51	287291	COVER, drive, plastic, painted; <i>includes 31, 95</i>	1	110	16D585	LABEL, premium, sides	2
				117	187436	LABEL, torque	1
55	16C457	HANGER, pail	1	123	276980	GROMMET, cover	2
56	192723	NUT, retaining	1	124	119250	SCREW, shoulder, hex, washer	2
58		SHIELD, motor, painted; <i>includes 123, 124</i>	1	126	15D088	FAN, motor	1
	287281	695		127	115477	SCREW, mach, torx, pan, hd	1
	287282	795		128▲	222385	TAG, WARNING (not shown)	1
62	288605	FRAME, cart	1	129	240794	HOSE, cpld, 1/4 in. x 50 ft	1
71		LABEL, UltraMax II 695/795	1	130		GUN (Manual 309639)	1
	15K374	695			288475	Europe	
	15D068	795			246220	ANZ	
	15T428	795 Plus	1		288427	Asia	
72		LABEL, UltraMax II 695/795	1	149	15T569	LABEL, shroud top	1
	15K381	695		150	15T570	LABEL, crown	1
	15D069	795		160	15Y118	LABEL, Made In The USA	1
	15T429	795 Plus		161	124172	WASHER, retaining, nylon 10-32	1
76	248214	TUBE, intake; <i>includes 109</i>	1	162	112746	NUT, hex	2
77	278204	CLIP, drain line	1	163	288899	SHELF, PEM, assy	1
83	240523	HOUSING, bearing; <i>includes 55, 162</i>	1	164	278075	BAFFLE	1
84		MOTOR, electric	1	170▲	243301	LABEL, set, stpro, int'l	1
	287241	695 Series A - C		172	238358	HOSE, cpld, 3/16 in. x 3 ft	1
	257185	695 Series D					
	287242	795 Series A, B					
	257186	795 Series C					
85	241008	ROD, connecting; <i>includes 43</i>	1				
87	241920	DEFLECTOR, threaded	1				

\* 253132 KIT, repair, tube, 11 in.

▲ Extra Danger & Warning tags & labels available free.

# Parts Drawing: 695/795 Hi-Boy



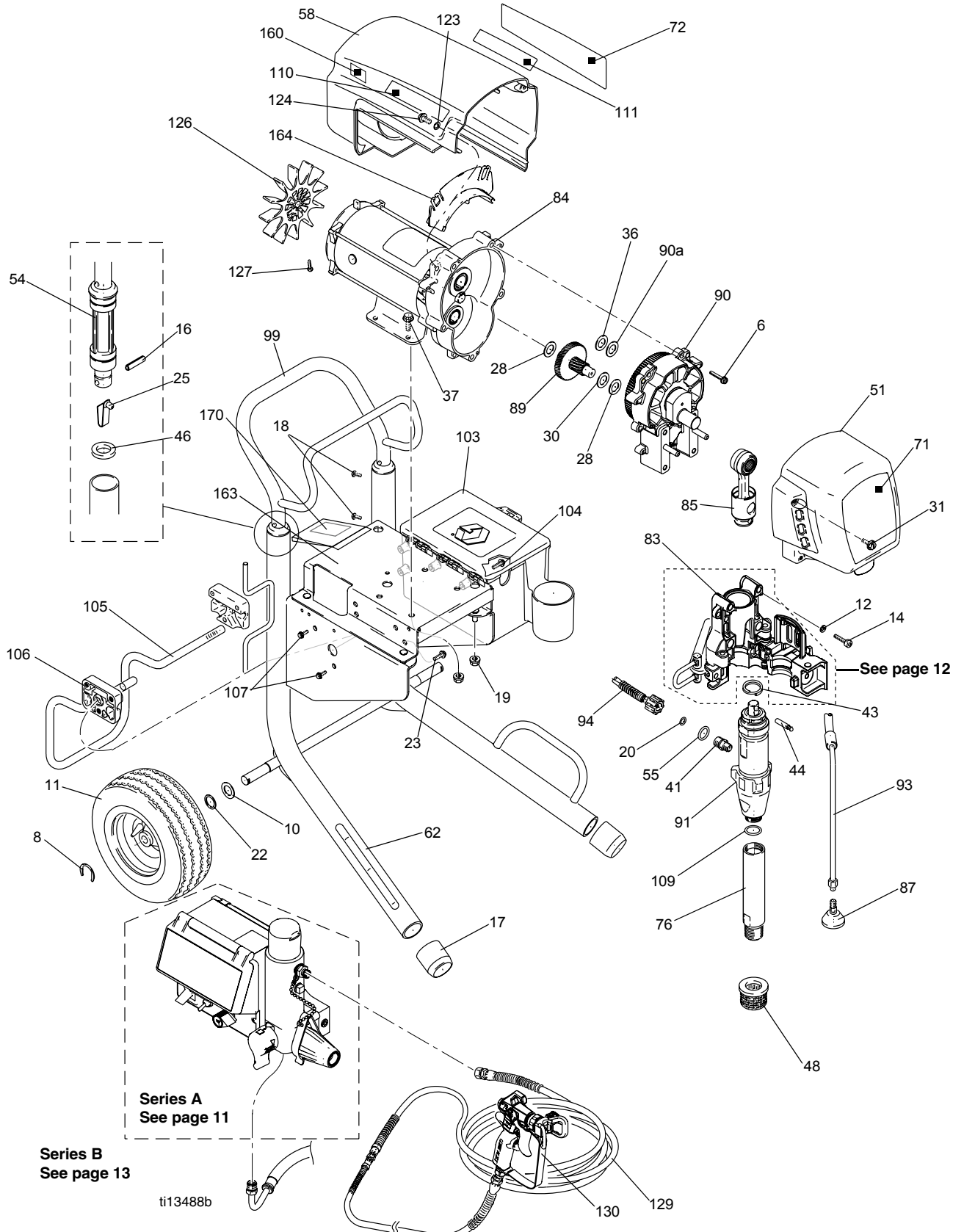
# Parts List: UltraMax II 1095

Ref.	Part No.	Description	Qty.	Ref.	Part No.	Description	Qty.
6	15C753	SCREW, mach, torx, hex	5	89	287290	GEAR, combination; <i>includes 28, 30</i>	1
8	15E891	CLIP, retaining	2	90	287295	HOUSING, drive, M1; <i>includes 6, 36, 90a</i>	1
10	156306	WASHER, flat	2	90a	114671	WASHER, thrust	1
11*	119509	WHEEL, pneumatic	2	91	287513	PUMP, displacement; <i>includes 41, 76, 109, Manual 310894</i>	1
12	106115	WASH, lock, spring	4	93	287952	HOSE, drain; <i>includes 87</i>	1
14	114666	SCREW, cap, socket hd	4	94	287803	HOSE, coupled	1
16	101354	PIN, spring, straight	2	99	245245	HANDLE, cart	1
17	276974	CAP, leg	2	103	287253	TOOLBOX; <i>includes 104</i>	1
18	108795	SCREW, mach, pnh	4	104	118852	SCREW, hex washer hd	3
19	110838	NUT, lock	8	105	15C858	HANGER, stand, cart	1
22	116038	WASHER, wave spring	2	106	15C982	CAM, cart	2
23	110963	SCREW, cap, flng hd	2	107	114531	SCREW, mach, hex washer	4
25	112827	BUTTON, snap	2	109	118494	PACKING, o-ring	1
28	114672	WASHER, thrust	2	110	16D585	LABEL, premium, sides	2
30	114699	WASHER, thrust	1	123	276980	GROMMET, cover	2
31	118444	SCREW, machine, hex washer hd	4	124	119250	SCREW, shoulder, hex, washer	3
36	116192	WASHER, thrust	1	126	15D088	FAN, motor	1
37	100057	SCREW, cap, hex hd	4	127	115477	SCREW, mach, torx, pan, hd	1
41	15E802	FITTING, pump, quick disc	1	128▲	222385	TAG, WARNING (not shown)	1
43	119778	SPRING, retaining	1	129	240794	HOSE, cpld, 1/4 in. x 50 ft	1
44	15F110	PIN, pump	1	130		GUN Manual 309639	1
46	183350	WASHER	2		288475	Europe	
48	189920	STRAINER, (1-11 1/2 NPSM)	1		246220	ANZ	
51	287292	COVER, drive, plastic, painted; <i>includes 31</i>	1		288427	Asia	
54	187604	SLEEVE, cart	2	160	15Y118	LABEL, Made In The USA	1
55	119790	PACKING, o-ring	1	163	288899	SHELF, PEM, assy	1
58	287282	SHIELD, motor, painted; <i>includes 123, 124</i>	1	164	278075	BAFFLE	1
62	288663	FRAME, cart 1095	1	170▲	243301	LABEL, set, stpro, int'l	1
71	15D071	LABEL, UltraMax II 1095	1	172	238358	HOSE, cpld, 3/16 in. x 3 ft	1
72	15D072	LABEL, UltraMax II 1095	1				
76	248215	TUBE, intake; <i>includes 109</i>	1				
83	287933	HOUSING, bearing	1				
84		MOTOR, electric; <i>includes 126, 127</i>	1				
	287243	Series A					
	257187	Series B					
85	287472	ROD, connecting; <i>includes 43, 44</i>	1				
87	241920	DEFLECTOR, threaded	1				

\* 253131 KIT, repair, tube, 13 in.

▲ Extra Danger & Warning tags & labels available free.

# Parts Drawing: UltraMax II 1095



# Parts List - Sprayer

**UltraMax II: 695 Hi-Boy;  
795 Hi-Boy; 1095  
(Models with SIX large capacitors on control board)**

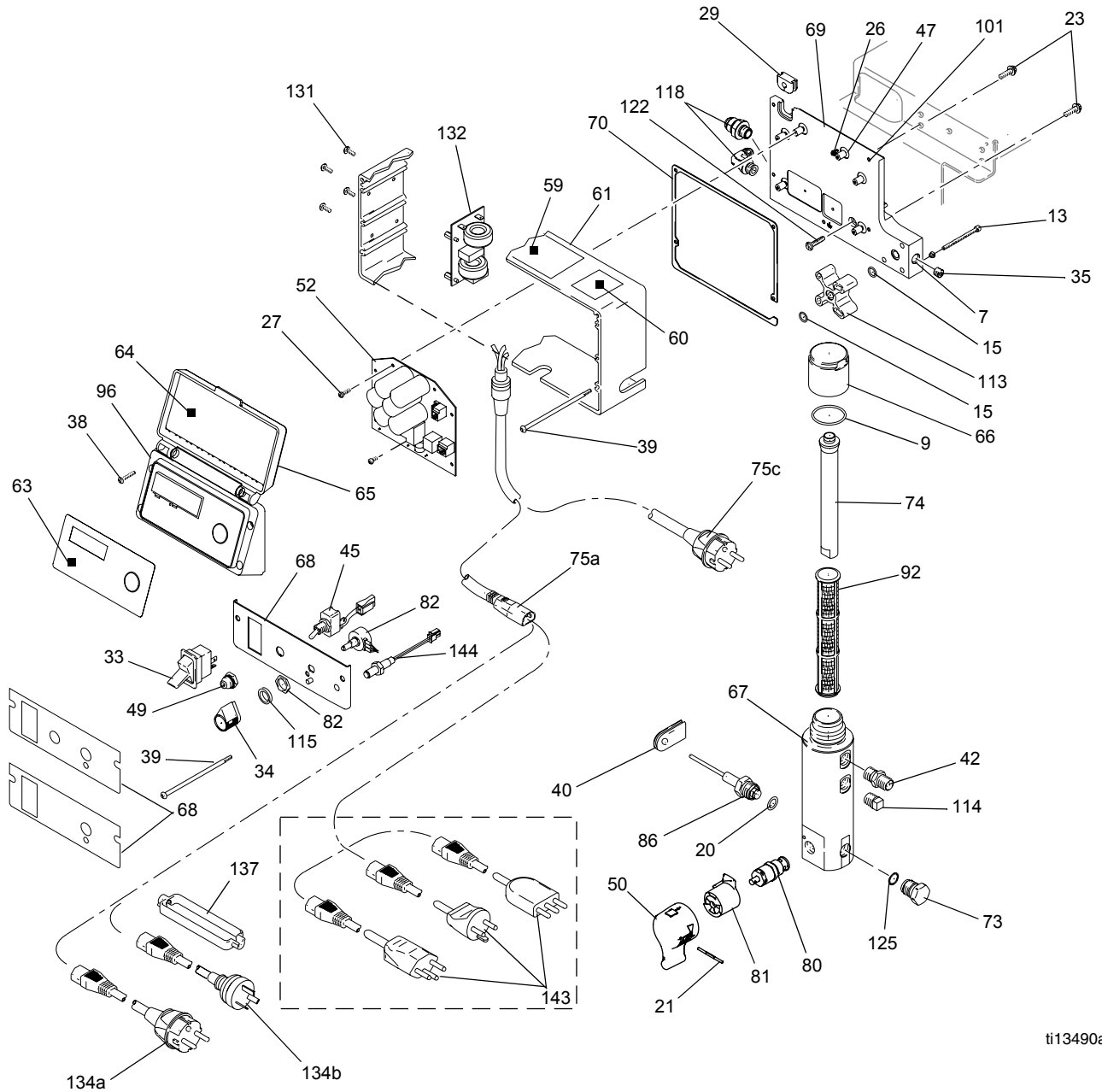
Ref.	Part No.	Description	Qty.	Ref.	Part No.	Description	Qty.
7	100721	PLUG, pipe	1	75a	15D529	Europe Multicord, Asia & ANZ	
9	117285	PACKING, o-ring	1	75c	15D528	Europe CEE/7	
13	C19817	SCREW, cap, socket	3	80	24A381	VALVE, prime	1
15	107505	PACKING, o-ring	2	81*		BASE, valve	1
20	111457	PACKING, o-ring	2	82	256219	POTENTIOMETER, adjustment	1
21*	15C972	PIN, grooved	1	86	243222	TRANSDUCER, pressure control; <i>includes 20</i>	1
23	110963	SCREW, cap, flng	2	92		FILTER, fluid	1
26	114391	SCREW, grounding	1		244071	30 mesh	
27	113045	SCREW, sems, mach, phillips	6		244067	60 mesh, original equipment	
29	15V996	GROMMET	1		244068	100 mesh	
33	15D527	SWITCH, rocker	1		244069	200 mesh	
34	116167	KNOB, potentiometer	1	96	287286	COVER, control, ultra; <i>includes 38,</i> <i>63, 64, 65</i>	1
35	105510	WASHER, lock, spring	3	101	15V938	STUD, board	6
38	116252	SCREW, #10 taptite phillips	4	102	114420	SCREW, mach, pmh, sems	2
39	112381	SCREW, mach, pan hd	4	113	15F844	SPACER, manifold	1
40	15D033	GROMMET, transducer	1	114	104813	PLUG, pipe	1
42	164672	NIPPLE, adapter 695, 795, 1095	1	115	15C973	GASKET	1
45	119541	SWITCH, toggle	1	118	116793	FITTING, elbow, hydraulic; 695, 795, 1095	1
47	186620	LABEL, symbol, ground	1	122	115478	SCREW, mach torx/slt	1
49	195428	BOOT, toggle	1	125	15D541	SEAL, washer	1
50*		HANDLE	1	131	119228	SCREW, mach flat hd	4
52	257449	CONTROL, board; <i>includes 27, 102</i>	1	132	257905	FILTER, board	1
59▲	243301	LABEL, warning	1	134		CORD SET, ADAPTER	1
60▲	195793	LABEL, warning	1	134a	242001	Europe Multicord and Asia	1
61	15D431	BOX, control	1	134b	242005	ANZ	
63	198648	LABEL, LCD	1	137	195551	RETAINER, PLUG, ADAPTER, Europe Multicord, Asia & ANZ	1
64	15D063	LABEL, instruction	1	143	287121	CORD SET, Italy, Denmark, Switzerland	1
65	15D609	LABEL, ctrl, box cover	1	144	258644	Reed Switch	1
66	287285	CAP, filter; <i>includes 9, 74</i>	1				
67	15C838	BASE, filter	1				
68		PANEL, control	1				
	15X617	695, 795, 1095, panel, control					
	15X620	695, 795, 1095, Label					
69	15V937	PLATE, power bar	1				
70	15D036	GASKET, control box	1				
73	248314	PLUG, Autoclean standard; <i>includes 125</i>	1				
74	15C766	TUBE, diffusion	1				
75		CORD, power	1				

▲ *Extra Danger and Warning tags and labels available free.*

\* *24E233 Kit, handle, FastFlush is available (includes 21, 50, 81)*

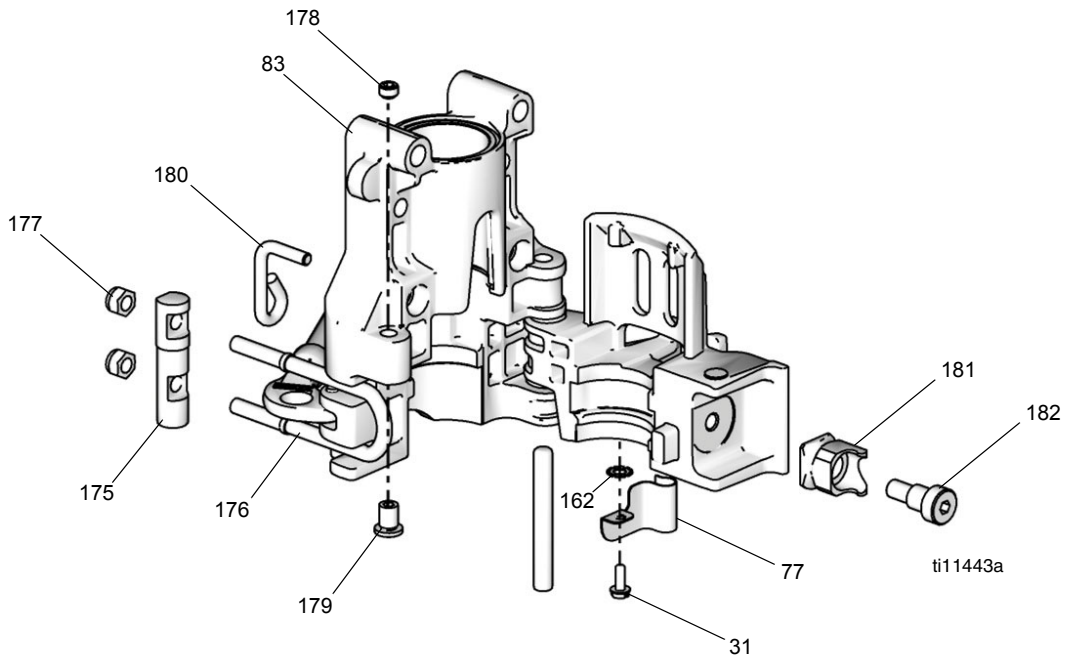
# Parts Drawing - Sprayer

UltraMax II: 695 Hi-Boy;  
795 Hi-Boy; 1095  
(Models with SIX large capacitors on control board)



ti13490a

## Parts Drawing - Bearing Housing



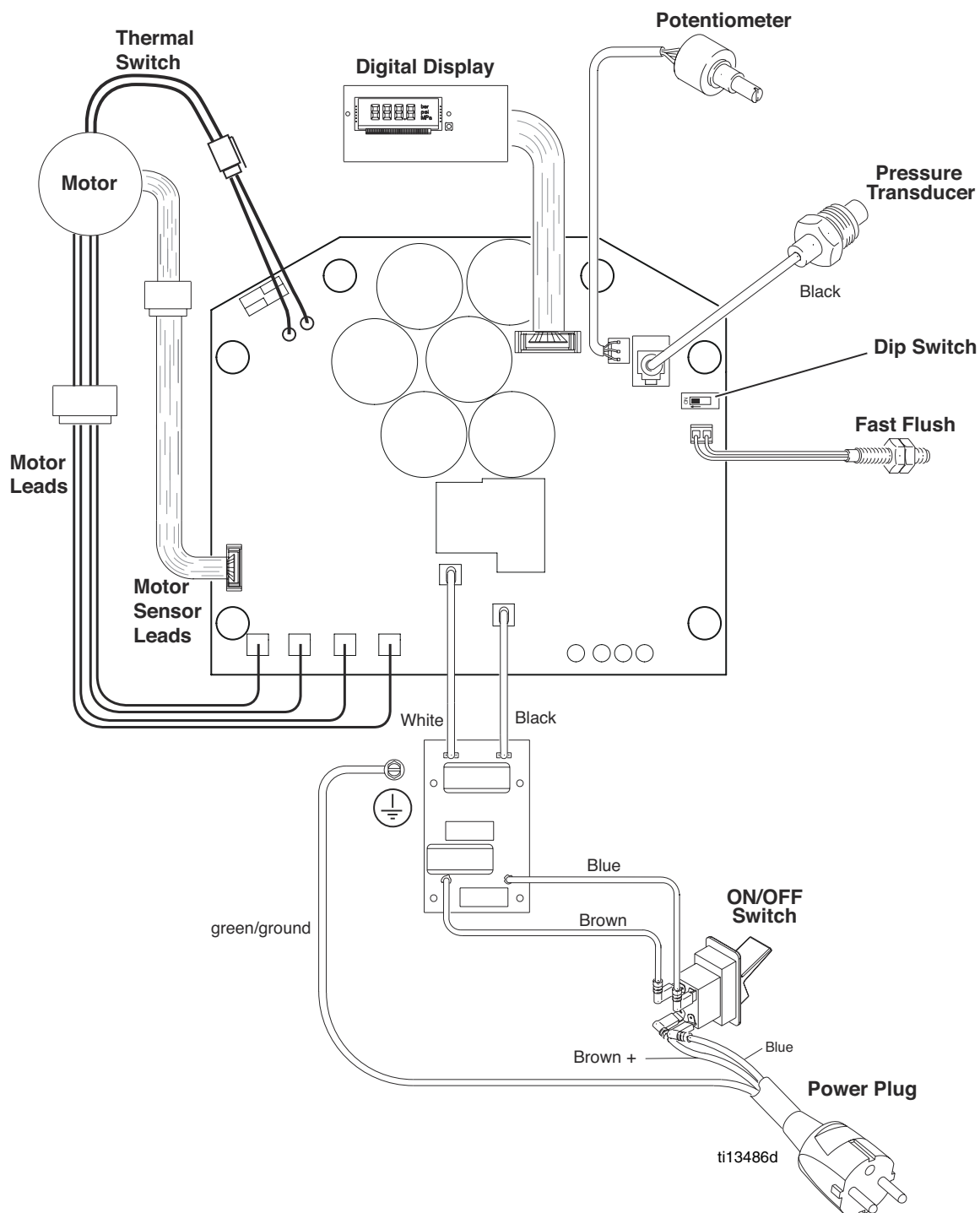
## Parts List - Bearing Housing

Ref.	Part	Description	Qty.	Ref.	Part	Description	Qty.
83	240523	HOUSING, bearing (695/795)	1	177		NUT, lock hex	
	287933	KIT, bearing housing	1		102040	695	2
31	119250	SCREW, shoulder	1		111040	795/1095	2
77	278204	CLIP, drain line	1	178	15F503	SCREW, set, socket hd	1
162	100985	WASHER, lock ext	1	179	15F498	SCREW, adjustment	1
175		PIN, housing, bearing		180	15F116	LATCH	1
	15E779	695	1	181	15G840	RECEIVER, latch (695)	1
	15E625	795/1095	1		15G584	RECEIVER, latch (795/1095)	1
176		LATCH, housing, bearing		182	108859	SCREW, shoulder, sch (695)	1
	15G930	695	1		116942	SCREW, shoulder, sch (795/1095)	1
	15G890	795/1095	1				



# Wiring Diagram

UltraMax II: 695 Hi-Boy;  
795 Hi-Boy; 1095  
(Models with SIX large capacitors on control board)



# Graco Standard Warranty

Graco warrants all equipment referenced in this document which is manufactured by Graco and bearing its name to be free from defects in material and workmanship on the date of sale to the original purchaser for use. With the exception of any special, extended, or limited warranty published by Graco, Graco will, for a period of twelve months from the date of sale, repair or replace any part of the equipment determined by Graco to be defective. This warranty applies only when the equipment is installed, operated and maintained in accordance with Graco's written recommendations.

This warranty does not cover, and Graco shall not be liable for general wear and tear, or any malfunction, damage or wear caused by faulty installation, misapplication, abrasion, corrosion, inadequate or improper maintenance, negligence, accident, tampering, or substitution of non-Graco component parts. Nor shall Graco be liable for malfunction, damage or wear caused by the incompatibility of Graco equipment with structures, accessories, equipment or materials not supplied by Graco, or the improper design, manufacture, installation, operation or maintenance of structures, accessories, equipment or materials not supplied by Graco.

This warranty is conditioned upon the prepaid return of the equipment claimed to be defective to an authorized Graco distributor for verification of the claimed defect. If the claimed defect is verified, Graco will repair or replace free of charge any defective parts. The equipment will be returned to the original purchaser transportation prepaid. If inspection of the equipment does not disclose any defect in material or workmanship, repairs will be made at a reasonable charge, which charges may include the costs of parts, labor, and transportation.

**THIS WARRANTY IS EXCLUSIVE, AND IS IN LIEU OF ANY OTHER WARRANTIES, EXPRESS OR IMPLIED, INCLUDING BUT NOT LIMITED TO WARRANTY OF MERCHANTABILITY OR WARRANTY OF FITNESS FOR A PARTICULAR PURPOSE.**

Graco's sole obligation and buyer's sole remedy for any breach of warranty shall be as set forth above. The buyer agrees that no other remedy (including, but not limited to, incidental or consequential damages for lost profits, lost sales, injury to person or property, or any other incidental or consequential loss) shall be available. Any action for breach of warranty must be brought within two (2) years of the date of sale.

**GRACO MAKES NO WARRANTY, AND DISCLAIMS ALL IMPLIED WARRANTIES OF MERCHANTABILITY AND FITNESS FOR A PARTICULAR PURPOSE, IN CONNECTION WITH ACCESSORIES, EQUIPMENT, MATERIALS OR COMPONENTS SOLD BUT NOT MANUFACTURED BY GRACO.** These items sold, but not manufactured by Graco (such as electric motors, switches, hose, etc.), are subject to the warranty, if any, of their manufacturer. Graco will provide purchaser with reasonable assistance in making any claim for breach of these warranties.

In no event will Graco be liable for indirect, incidental, special or consequential damages resulting from Graco supplying equipment hereunder, or the furnishing, performance, or use of any products or other goods sold hereto, whether due to a breach of contract, breach of warranty, the negligence of Graco, or otherwise.

## **FOR GRACO CANADA CUSTOMERS**

The Parties acknowledge that they have required that the present document, as well as all documents, notices and legal proceedings entered into, given or instituted pursuant hereto or relating directly or indirectly hereto, be drawn up in English. Les parties reconnaissent avoir convenu que la rédaction du présente document sera en Anglais, ainsi que tous documents, avis et procédures judiciaires exécutés, donnés ou intentés, à la suite de ou en rapport, directement ou indirectement, avec les procédures concernées.

# Graco Information

For the latest information about Graco products, visit [www.graco.com](http://www.graco.com).

**TO PLACE AN ORDER**, contact your Graco distributor or call 1-800-690-2894 to identify the nearest distributor.

*All written and visual data contained in this document reflects the latest product information available at the time of publication.  
Graco reserves the right to make changes at any time without notice.*

Original instructions. This manual contains English. MM 311363

**Graco Headquarters:** Minneapolis  
**International Offices:** Belgium, China, Japan, Korea

**GRACO INC. AND SUBSIDIARIES • P.O. BOX 1441 • MINNEAPOLIS MN 55440-1441 • USA**

**Copyright 2005, Graco Inc. All Graco manufacturing locations are registered to ISO 9001.**

[www.graco.com](http://www.graco.com)  
Revised 02/2012