

GENUINE GRACO PARTS AND ACCESSORIES



24A798 Merkur[®] Stainless Steel Seat Kit

For Merkur LW125A Displacement Pumps

406792A



Important Safety Instructions

Read all warnings and instructions in manuals 312792 and 312794. Save all instructions.

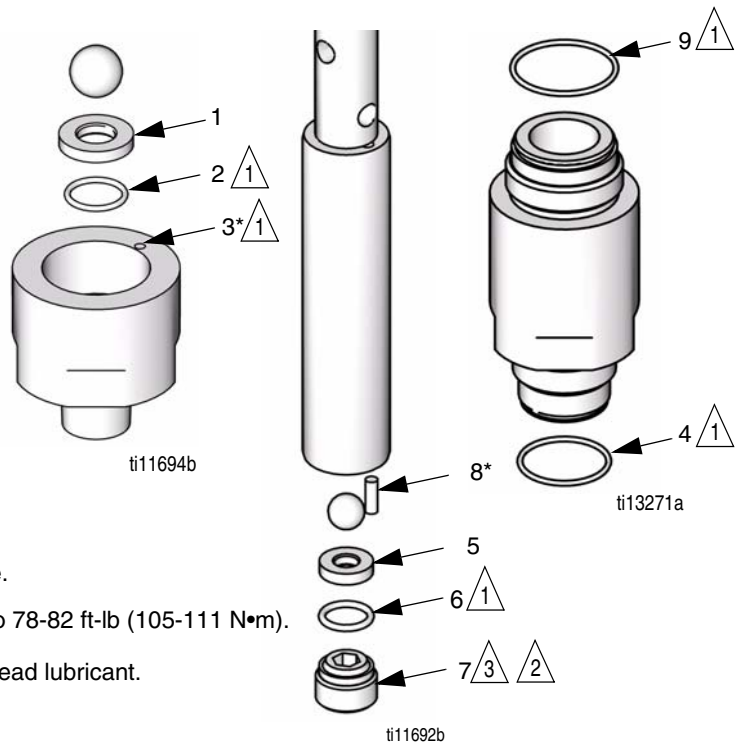
Ref.	Description	Qty.
1	SEAT, stainless steel, intake valve	1
2	O-RING, PTFE, 1 in. (25 mm)	1
3*	THREAD LOCKER, nylon	1
4	O-RING, PTFE, 2.3 in. (58 mm)	1
5	SEAT, stainless steel, piston valve	1
6	O-RING, 0.9 in. (23 mm)	1
7	NUT, flow-through	1
8*	THREAD LOCKER, nylon	1
9	O-RING, PTFE, 2.6 in. (66 mm)	1

* Remove and replace only if damaged.

1 Lubricate.

2 Torque to 78-82 ft-lb (105-111 N•m).

3 Apply thread lubricant.



Graco Inc. P.O. Box 1441 Minneapolis, MN 55440-1441

406792 Rev, A 12/2008

Copyright 2008, Graco Inc. is registered to I.S. EN ISO 9001



