



NXT® Tie Rod Kit

334132B
EN

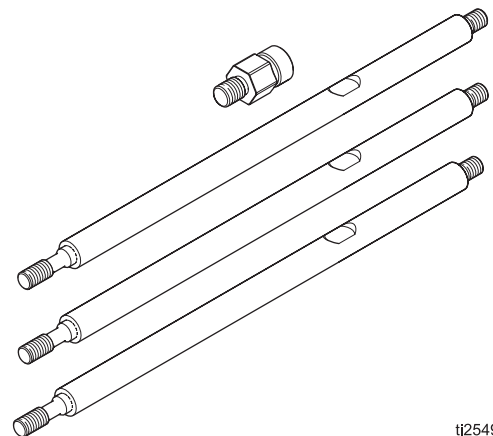
For connecting a long shaft displacement pump to a Graco NXT Air Motor.



Important Safety Instructions

Read all warnings and instructions in this manual and in related manuals. Save these instructions.

Kit No. 24V754



ti25495a

Installation

To connect a long shaft displacement pump to a Graco NXT Air Motor:

Table 1 Related Manuals

Manual	Description
334127	Check-Mate 800 Displacement Pump (long shaft)
311976	Therm-O-Flow 20 System, Operation-Parts
311208	Therm-O-Flow 200 System, Operation-Parts

1. Remove the existing tie rods and install the tie rods (1) into the base of the air motor (B). Torque to 50–60 ft-lb (68–81 N•m).
2. Remove the existing motor shaft adapter from the air motor. Install new rod adapter (2) into the air motor shaft.
3. Reuse the existing coupling nut (C) and the coupling collars (D). Ensure they are in place on the long shaft pump displacement rod (P).
4. Use at least two people to hold the displacement pump (G) while another connects it to the motor (B). Orient the pump's fluid outlet (E) to the air inlet (F) as shown. Position the long shaft displacement pump (G) on the tie rods (1).
5. Screw the nuts (H) onto the tie rods (A) and torque to 50–60 ft-lb (61–81 N•m).
6. Screw the coupling nut (C) onto the motor shaft (J) loosely. Hold the motor shaft flats with a wrench to keep it from turning. Use an adjustable wrench to tighten the coupling nut. Torque to 145–155 ft-lb (196–210 N•m).
7. Replace the motor mount brackets (K) onto the motor.
8. Connect all hoses. Connect the ground wire.
9. Fill the wetcup (W) 2/3 full with Graco Throat Seal Liquid (TSL™) for Butyl and PSA materials.

Note

Use IsoGuard Select® (IGS) (part no. 24F516) for PUR or reactive Polyurethane material. IGS is designed to dissolve and suspend the Polyurethane materials. IGS will solidify after a period of time and should be replaced once the solidified lube does not return to liquid form after heating.

10. If there is material already in the pump, you must warm up the system for 30–60 minutes before running the pump. Open the gun before heating the system.
11. Turn on the air supply. Run the pump slowly to ensure proper operation.

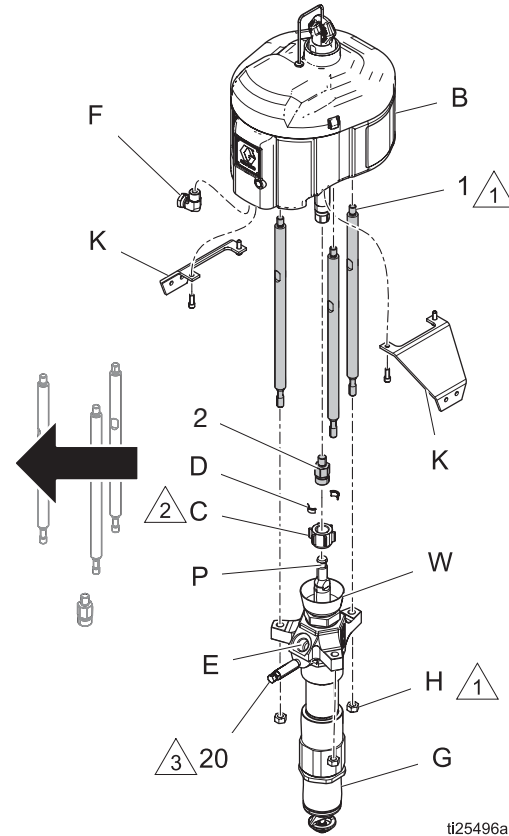


Figure 1

△1	Torque to 50–60 ft-lb (61–81 N•m).
△2	Torque to 145–155 ft-lb (196–210 N•m).
△3	Bleed hole must face down.

Parts

Ref	Part	Description	Qty
1	16A223	ROD, tie, vertical driver	3
2	17A406	ADAPTER, rod, pump, TOF	1

Graco Information

For the latest information about Graco products, visit www.graco.com.

For patent information, see www.graco.com/patents.

To place an order, contact your Graco Distributor or call to identify the nearest distributor.

Phone: 612-623-6921 or Toll Free: 1-800-328-0211 Fax: 612-378-3505

All written and visual data contained in this document reflects the latest product information available at the time of publication.

Graco reserves the right to make changes at any time without notice.

Original Instructions. This manual contains English. MM 334132

Graco Headquarters Minneapolis

International Offices: Belgium, China, Japan, Korea

GRACO INC. AND SUBSIDIARIES • P.O. BOX 1441 • MINNEAPOLIS MN 55440-1441 • USA

Copyright 2014, Graco Inc. All Graco manufacturing locations are registered to ISO 9001.

www.graco.com

Revision B, May 2015