

## ST Max™ 395/495/595 ST Max II™ 490/495/595

---

309706M  
EN

**For professional use only.**

*3300 psi (22.8 MPa, 228 bar) Maximum Working Pressure*

See page 2 for model information.



### **Important Safety Instructions**

Read all warnings and instructions in this manual and in Operation manual 309665. Save all instructions.

### **Related Manuals**



309665



309250



309825



309639



309055






309674



309709

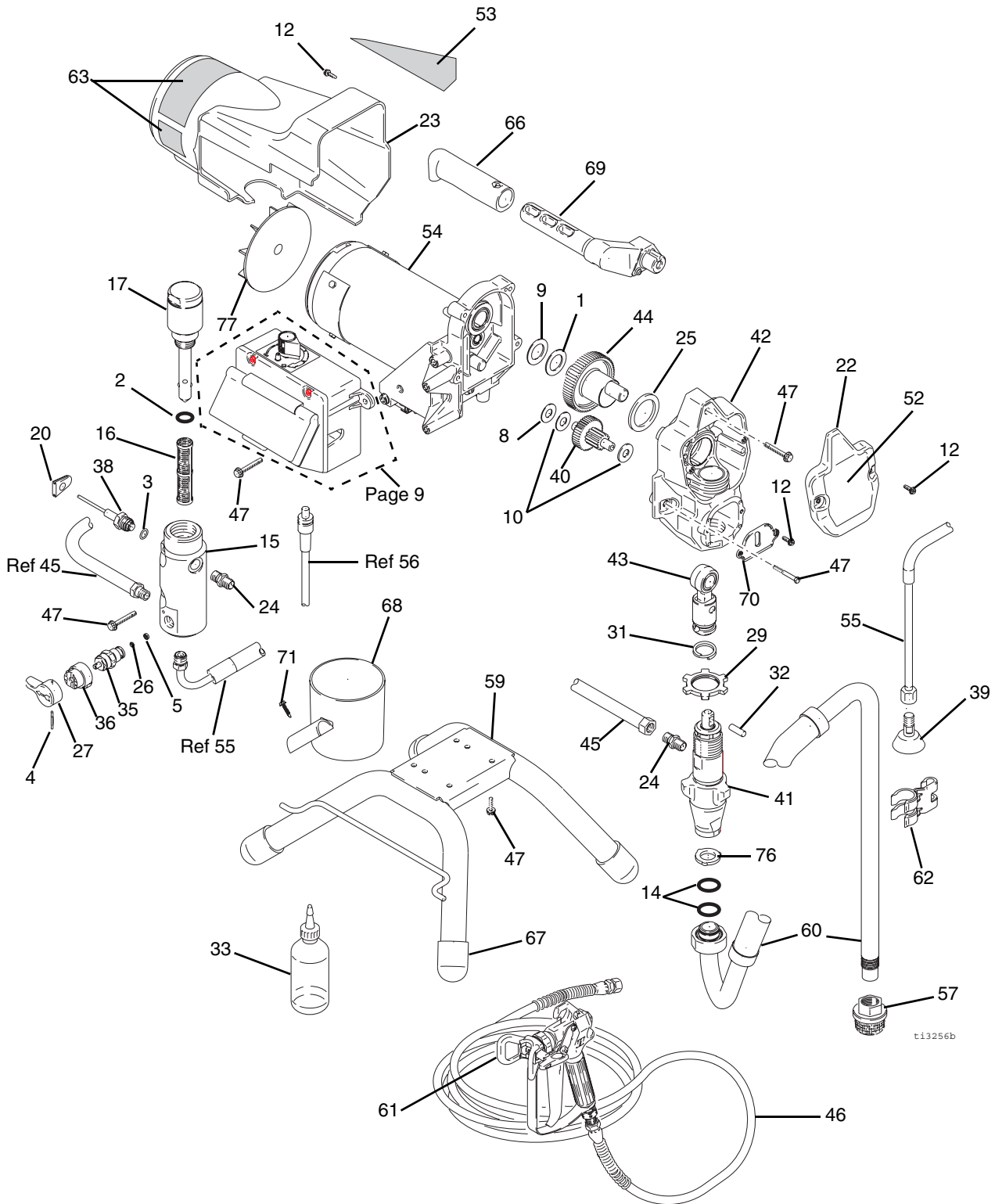
# Models

Vac	Type				
230 CEE 7/7	ST Max	395 Hopper	233955		
	ST Max	395	234176	248662	234286
	ST Max	495	233956	233970	233971
	ST Max	595		248661	234437
	ST Max II	490 Hopper	253011		
	ST Max II	490	249926	253012	253013
	ST Max II	495	249928	253014	249978
	ST Max II	595		253015	249930
230 Europe	ST Max	395	233963		
	ST Max	495	233957		234178
	ST Max	595			234438
	ST Max II	490	249927		
	ST Max II	495	249929		249979
	ST Max II	595			249931
110 UK	ST Max	395	233972		
	ST Max	495	233973		233975
	ST Max	595			234436
	ST Max II	490	249935		
	ST Max II	495	249936		249980
	ST Max II	595			249937



# Parts

## Stand Assembly - ST Max



Ref No.	Part No.	Description	Qty	Ref No.	Part No.	Description	Qty
1	107434	BEARING, thrust	1		15C326	495 Models	1
2	117828	PACKING, o-ring	1	53		LABEL, side, Graco	
3	111457	PACKING, o-ring	1		15C323	395 Models	1
4	111600	Pin, grooved	1		15C324	495 Models	1
5	111699	GASKET, seat, valve	1	54		MOTOR (230V)	
8	116073	WASHER, thrust	1		287060*	395 Models (includes 77)	1
9	116074	WASHER, thrust	1		287061*	495 Models (includes 77)	1
10	116079	BEARING, thrust	2			MOTOR (110V)	
12	117501	SCREW, mach, hex washer hd	6		287014*	395 Models (includes 77)	1
14	117559	O-RING	2		287015*	495 Models (includes 77)	1
15	15B067	MAINIFOLD, ST pro	1	55	246381	HOSE, drain, ST stand (includes	1
16†	246384	FILTER, fluid, 60 mesh	1			39, 62)	
17	287167	CAP, manifold	1	57	246385	STRAINER, 7/8-14 unf	1
20	15B120	GROMMET, transducer	1	59	15E823	FRAME, standmount	1
22	287058	COVER, front, Graco, paint	1	60	246386	HOSE, drain, ST stand (includes	1
23	287056	SHIELD, motor, painted	1			29, 62)	
24	162453	NIPPLE, 1/4 npsm x 1/4 npt	2	61	246539	GUN (includes manual 309639)	1
25	180131	BEARING, thrust	1	62	276888	CLIP, drain line	1
26	187615	SEAT, valve	1	63▲	243301	LABEL, danger	1
27	187625	HANDLE, valve, drain	1	66	116139	GRIP, handle	1
29	195150	NUT, jam, pump	1	67	15G857	CAP, leg	4
31	196750	SPRING, retaining	1	68	287903	CUP, suction/drain	1
32	196762	PIN, straight	1	69	287072	HANDLE, sprayer (includes 47, 66)	1
33	206994	FLUID, TSL	1	70	15B589	COVER, pump rod	1
35	235014	VALVE, drain (includes 5, 26)	1	71	115723	SCREW, drill, hex washer head	1
36	224807	BASE, valve	1	76	115099	WASHER, garden hose	1
38	243222	TRANSDUCER, pressure control (includes 3)	1	77	239912	FAN, motor	1
39	241920	DEFLECTOR, threaded	1				
40	287057	GEAR, reducer (includes 8, 10)	1				
41	246428	PUMP, displacement, ST (includes 32)	1				
42	287055	HOUSING, drive (includes 12, 70)	1				
43	287053	ROD, connecting (includes 31, 32)	1				
44	287054	GEAR, crankshaft (includes 1, 9, 25)	1				
45	287003	HOSE, cpld	1				
46	240794	HOSE, cpld, 1/4 in. x 50 ft	1				
47	117493	SCREW, mach, hex washer hd	1				
52		LABEL, front, Graco					
	15C325	395 Models	1				



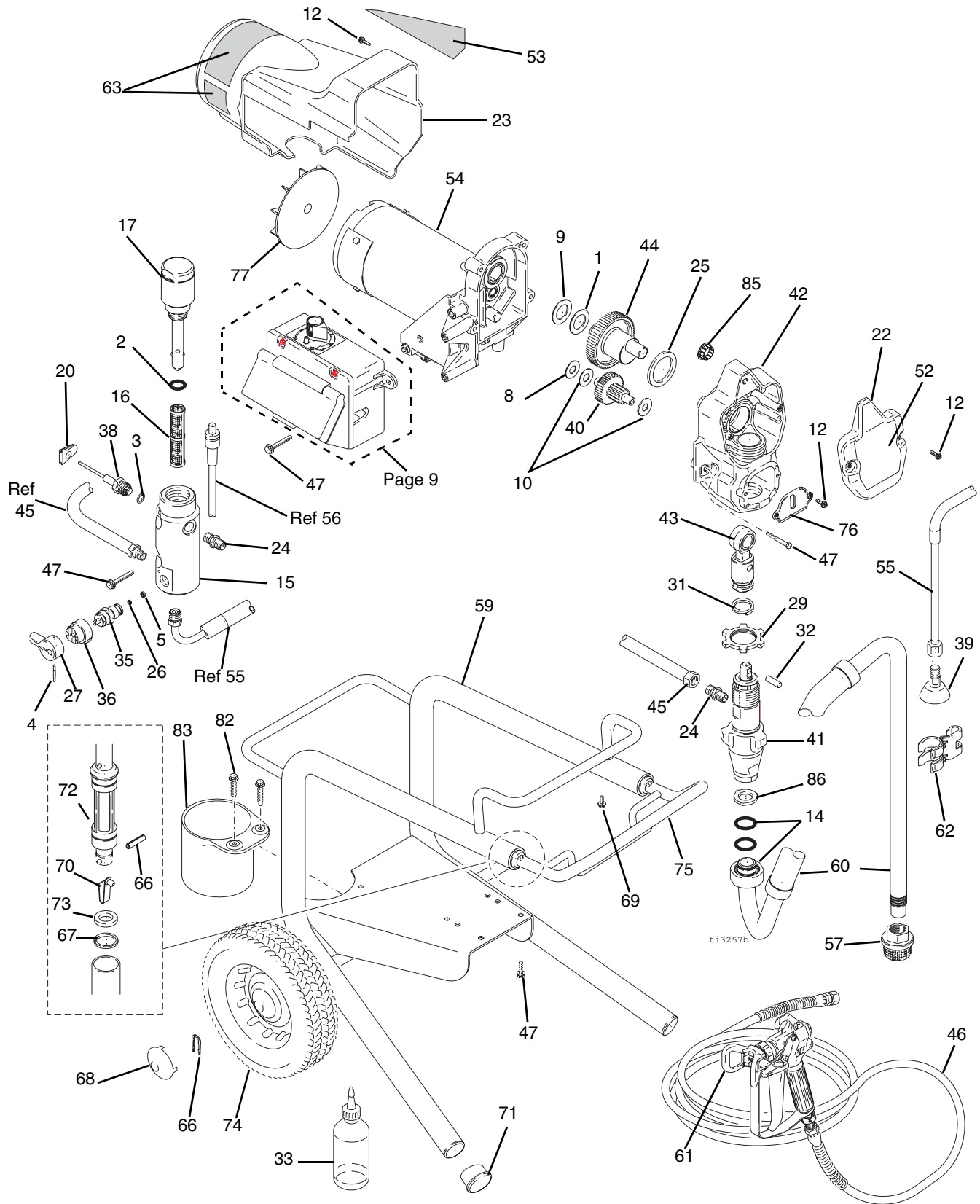
233955

▲ Replacement Danger and Warning labels, tags, and cards are available at no cost

\* Motor Brush Kit 287735 is available

† Other filters available: 246382, 100 mesh; 246383, 200 mesh; 246425, 30 mesh

# Lo-boy Assembly - ST Max



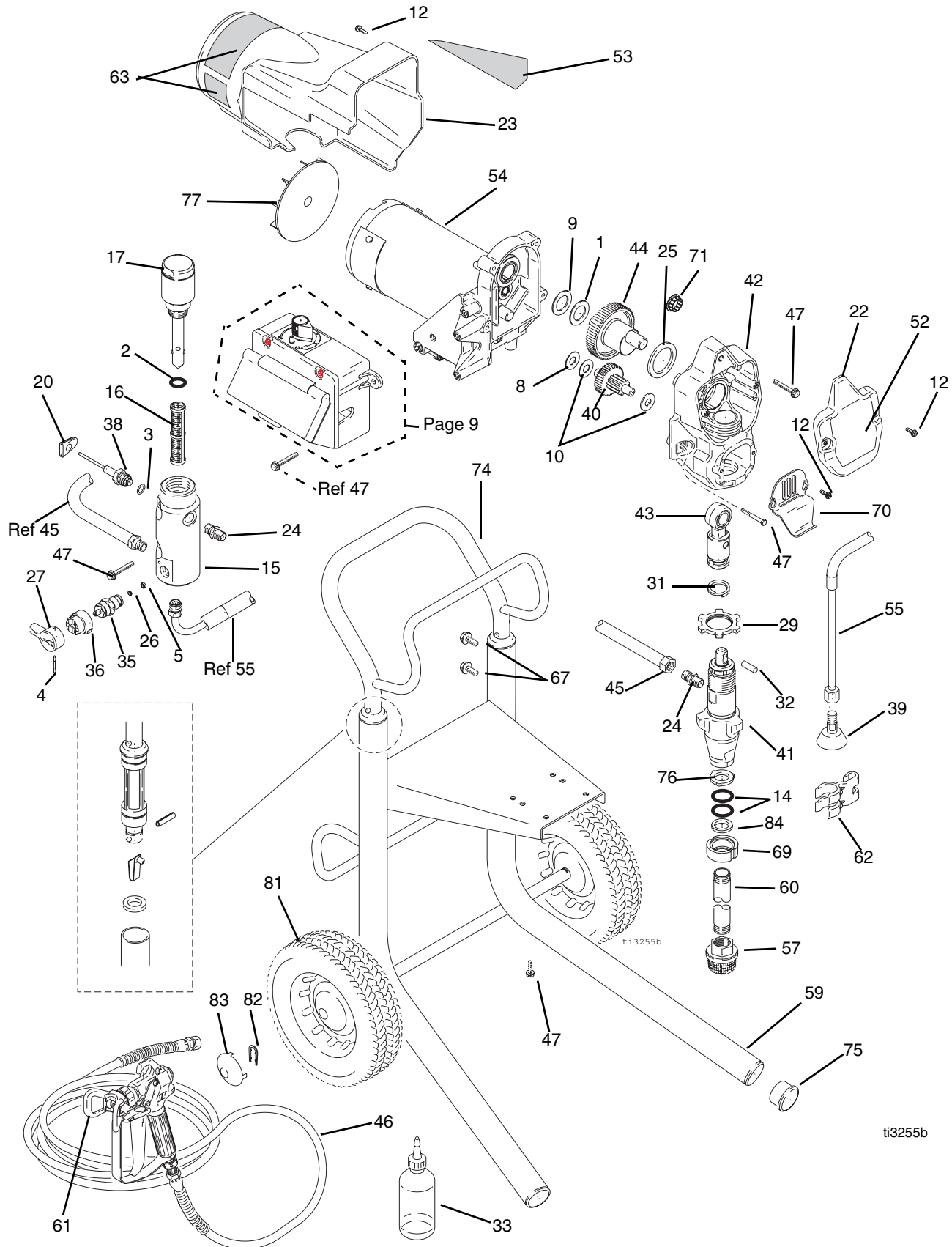
Ref No.	Part No.	Description	Qty	Ref No.	Part No.	Description	Qty
1	107434	BEARING, thrust	1		15C324	495 Models	1
2	117828	PACKING, o-ring	1		15D166	595 Models	1
3	111457	PACKING, o-ring	1	54		MOTOR (230V)	
4	111600	Pin, grooved	1		287060*	395 Models (includes 77)	1
5	111699	GASKET, seat, valve	1		287061*	495 Models (includes 77)	1
8	116073	WASHER, thrust	1		287060*	595 Models (includes 77)	1
9	116074	WASHER, thrust	1			MOTOR (110V)	
10	116079	BEARING, thrust	2		287014*	395 Models (includes 77)	1
12	117501	SCREW, mach, hex washer hd	6		287015*	495 Models (includes 77)	1
14	117559	O-RING	2	55	246381	HOSE, drain, ST stand (includes 39, 62)	1
15	15B067	MAINIFOLD, ST pro	1				
16†	246384	FILTER, fluid, 60 mesh	1	57	246385	STRAINER, 7/8-14 unf	1
17	287167	CAP, manifold	1	59	246250	FRAME, cart, LO	1
20	15B120	GROMMET, transducer	1	60	246386	HOSE, hose suction (includes 14, 57, 62)	1
22	287058	COVER, front, Graco, paint	1				
23	287056	SHIELD, motor, painted	1	61	246539	GUN (includes manual 309639)	1
24	162453	NIPPLE, 1/4 npsm x 1/4 npt	2	62	276888	CLIP, drain line	1
25	180131	BEARING, thrust	1	63▲	243301	LABEL, danger	1
26	187615	SEAT, valve	1	66	15B999	CLIP, retaining	2
27	187625	HANDLE, valve, drain	1	67	103117	RING, retaining	2
29	195150	NUT, jam, pump	1	68	104811	CAP, hub	2
31	196750	SPRING, retaining	1	69	109032	SCREW, pan hd	4
32	196762	PIN, straight	1	70	178565	BUTTON, snap	2
33	206994	FLUID, TSL	1	71	180656	PLUG, button	1
35	235014	VALVE, drain (includes 5, 26)	1	72	195501	SLEEVE, cart	2
36	224807	BASE, valve	1	73	195673	WASHER	2
38	243222	TRANSDUCER, pressure control (includes 3)	1	74	195766	WHEEL, semi pneumatic	2
				75	243205	HANDLE, assembly	1
39	241920	DEFLECTOR, threaded	1	76	15B589	COVER, pump rod	1
40	287057	GEAR, reducer (includes 8, 10)	1	77	239912	FAN, motor	1
41	246428	PUMP, displacement, ST (includes 32)	1	82	115723	SCREW, drill	2
				83	15B870	CUP, suction/drain	1
42	287055	HOUSING, drive (includes 12, 70)	1	85	115979	PLUG, hole	1
43	287053	ROD, connecting (includes 31, 32)	1	86	115099	WASHER, garden hose	1
44	287054	GEAR, crankshaft (includes 1, 9, 25)	1				
45	287003	HOSE, cpld	1				
46	240794	HOSE, cpld, 1/4 in. x 50 ft	1				
47	117493	SCREW, mach, hex washer hd	1				
52		LABEL, front, Graco					
	15C325	395 Models	1				
	15C326	495 Models	1				
	15D162	595 Models	1				
53		LABEL, side, Graco					
	15C323	395 Models	1				

▲ Replacement Danger and Warning labels, tags, and cards are available at no cost

\* Motor Brush Kit 287735 is available

† Other filters available: 246382, 100 mesh; 246383, 200 mesh; 246425, 30 mesh

# High-boy Assembly - ST Max



t.13255b



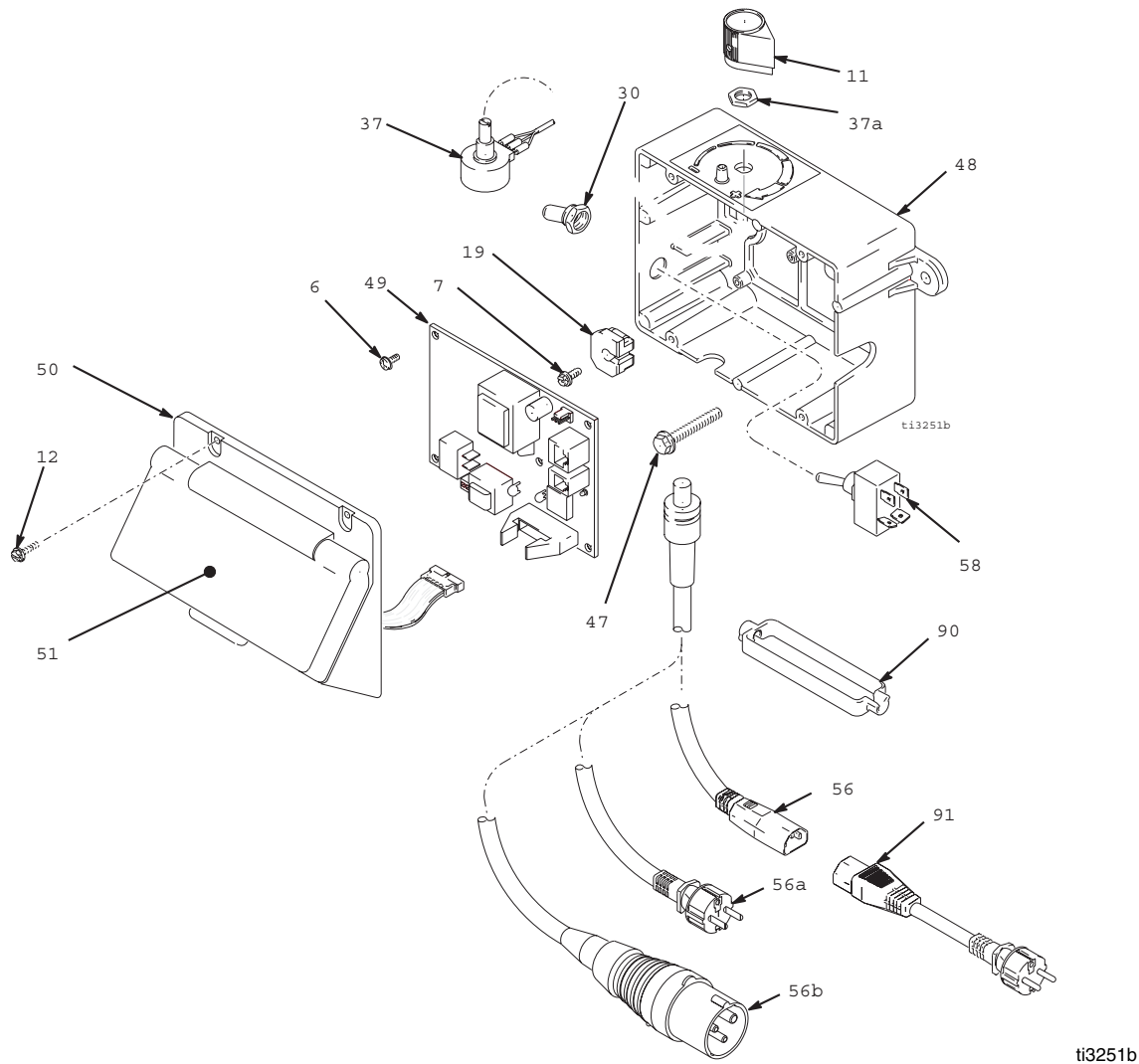
Ref No.	Part No.	Description	Qty	Ref No.	Part No.	Description	Qty
1	107434	BEARING, thrust	1		15D162	595 Models	1
2	117828	PACKING, o-ring	1	53		LABEL, side, Graco	
3	111457	PACKING, o-ring	1		15C323	395 Models	1
4	111600	Pin, grooved	1		15C324	495 Models	1
5	111699	GASKET, seat, valve	1		15D166	595 Models	1
8	116073	WASHER, thrust	1	54		MOTOR (230V)	
9	116074	WASHER, thrust	1		287060*	395 Models (includes 77)	1
10	116079	BEARING, thrust	2		287061*	495 Models (includes 77)	1
12	117501	SCREW, mach, hex washer hd	6		287060*	595 Models (includes 77)	1
14	103413	O-RING	2			MOTOR (110V)	
15	15B067	MAINIFOLD, ST pro	1		287014*	395 Models (includes 77)	1
16†	246384	FILTER, fluid, 60 mesh	1		287015*	495 Models (includes 77)	1
17	287167	CAP, manifold	1		248184*	595 Models (includes 77)	1
20	15B120	GROMMET, transducer	1	55	244240	HOSE, drain (includes 39)	1
22	287058	COVER, front, Graco, paint (includes 12)	1	57	246385	STRAINER, 7/8-14 unfl	1
23	287056	SHIELD, motor, painted (includes 12, 63)	1	59	245984	FRAME, cart, HI	1
				60	246387	TUBE, suction (includes 14, 57, 69, 84)	1
24	162453	NIPPLE, 1/4 npsm x 1/4 npt	2	61	246539	GUN (includes manual 309639)	1
25	180131	BEARING, thrust	1	62	276888	CLIP, drain line	1
26	187615	SEAT, valve	1	63▲	243301	LABEL, danger	1
27	187625	HANDLE, valve, drain	1	67	109032	SCREW, pan hd	4
29	195150	NUT, jam, pump	1	69	15B434	NUT, jam	1
31	196750	SPRING, retaining	1	70	15C146	HOOK, pail	1
32	196762	PIN, straight	1	71	115979	PLUG, hole	1
33	206994	FLUID, TSL	1	74	287489	HANDLE	1
35	235014	VALVE, drain (includes 5, 26)	1	75	108691	PLUG, tubing	2
36	224807	BASE, valve	1	76	115099	WASHER	1
38	243222	TRANSDUCER, pressure control (includes 3)	1	77		FAN, motor	
					239912	395/495 Models	1
39	241920	DEFLECTOR, threaded	1		248189	595 Models	1
40	287057	GEAR, reducer (includes 8, 10)	1	81	106062	WHEEL	2
41	246428	PUMP, displacement, ST (includes 32)	1	82	15B999	CLIP, retaining	1
42	287055	HOUSING, drive (includes 12, 70)	1	83	104811	CAP, hub	2
43	287053	ROD, connecting (includes 31, 32)	1	84	15B652	WASHER, suction	1
44		GEAR, crankshaft (includes 1, 9, 25)					
	287054	395/495 Models	1				
	248231	595 Models	1				
45	287003	HOSE, cpld	1				
46	240794	HOSE, cpld, 1/4 in. x 50 ft, unpkg	1				
47	117493	SCREW, mach, hex washer hd	10				
52		LABEL, front, Graco					
	15C325	395 Models	1				
	15C326	495 Models	1				

▲ Replacement Danger and Warning labels, tags, and cards are available at no cost

\* Motor Brush Kit 287735 is available

† Other filters available: 246382, 100 mesh; 246383, 200 mesh; 246425, 30 mesh

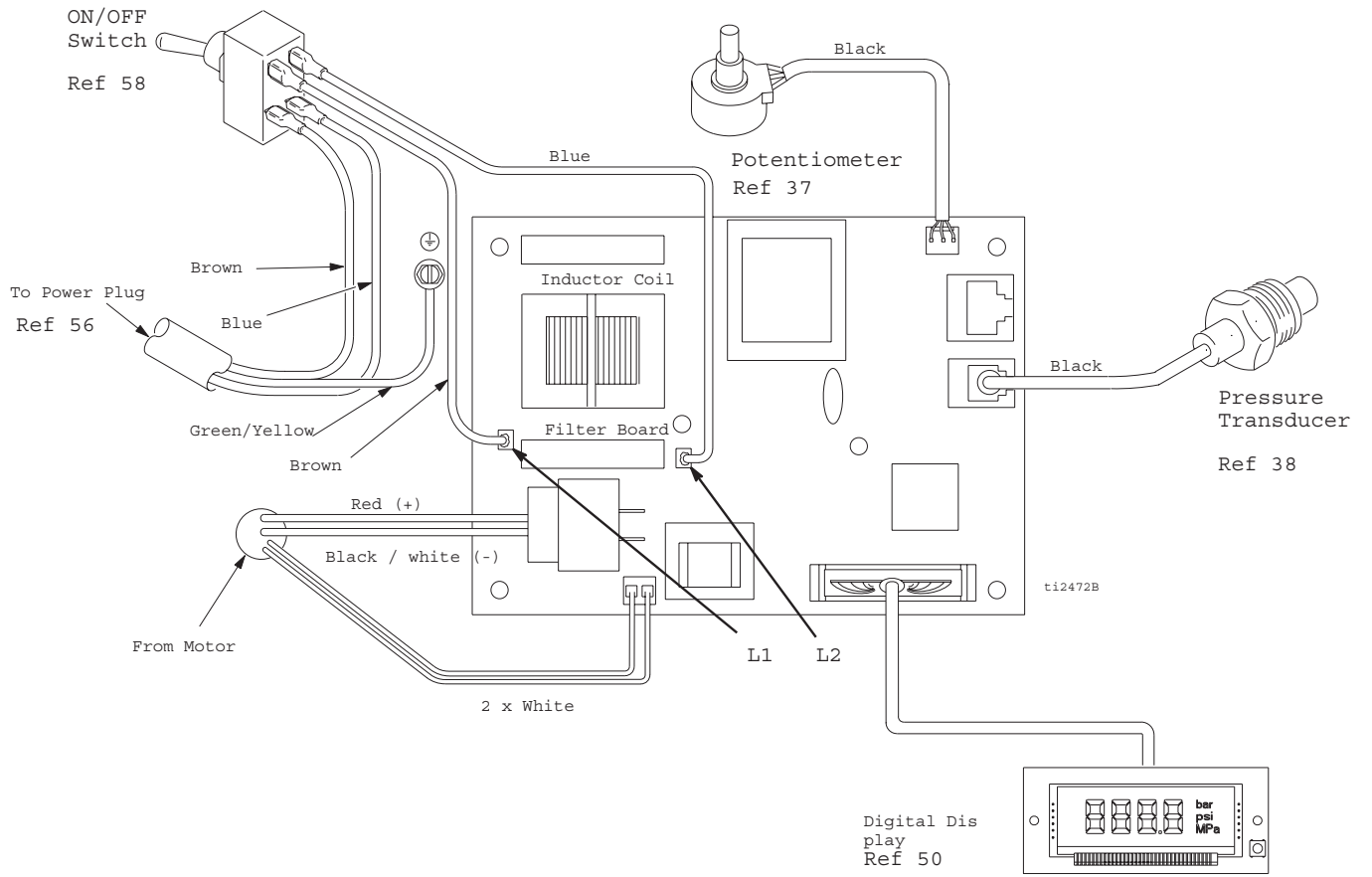
# Control Box and Board ST Max



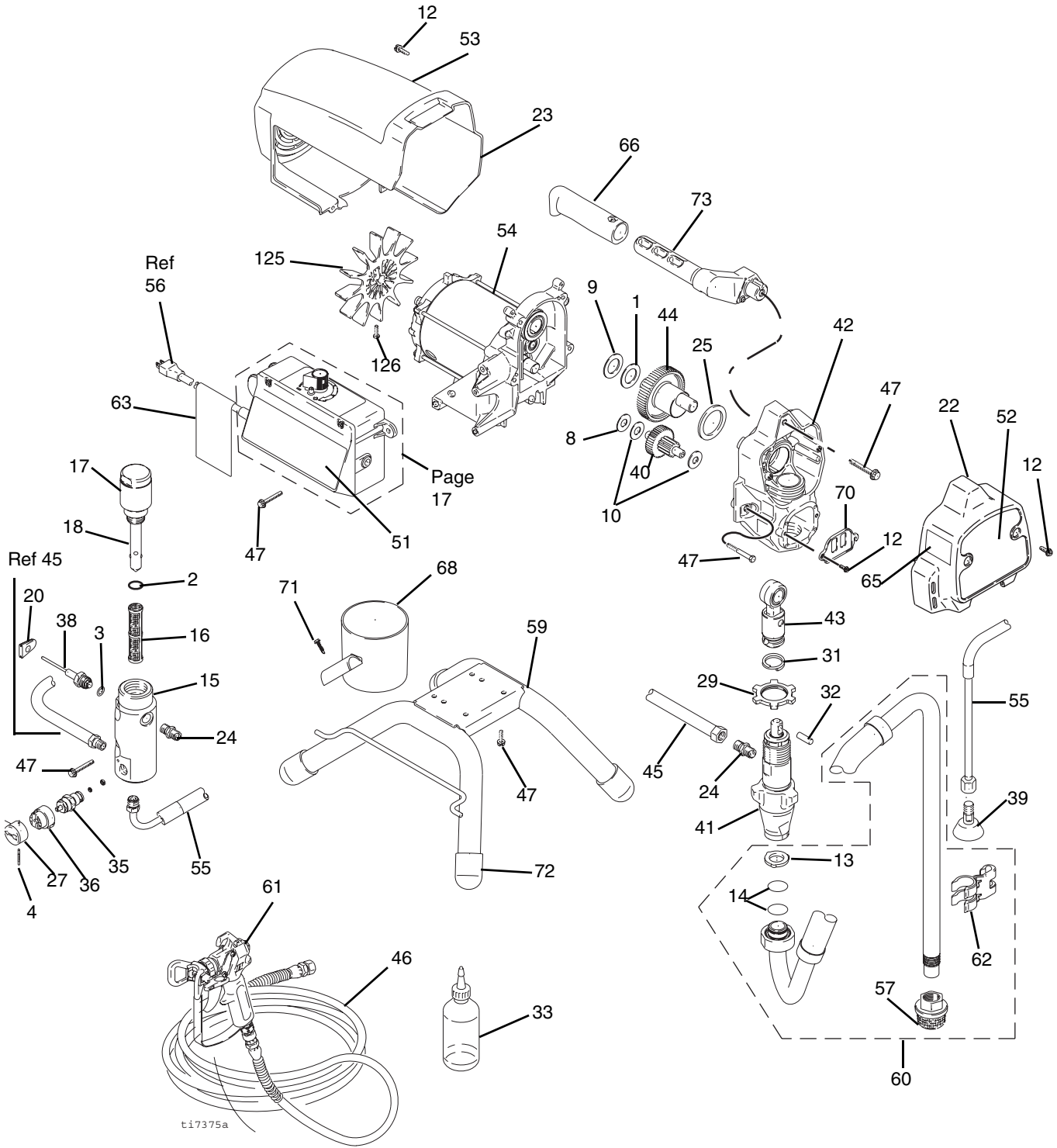
Ref No.	Part No.	Description	Qty
6	115494	SCREW, mach, phillips, pan hd	6
7	115498	SCREW, mch, slot/hex, wash hd	1
11	116167	KNOB, potentiometer	1
12	117501	SCREW, mach, hex washer hd	4
19	15B118	BUSHING, motor wire	1
30	195428	BOOT, toggle	1
37	256219	POTENTIOMETER, assembly	1
47	117493	SCREW, mach, hex washer hd	4
48	276868	BOX, control	1
49		CONTROL BOARD	
	246378	395, 495 Models	1
	248178	595 Models	1
		CONTROL BOARD (240V)	
	246380	395, 495 Models	1
	248180	595 Models	1
50	287098	DIGITAL DISPLAY (includes 51)	1

Ref No.	Part No.	Description	Qty
51	15C327	LABEL, control	1
56	15B471	CORD, power (Euro Multi cord)	1
56a	15B470	CEE 7/7	1
56b	15B469	110V UK	1
58	117492	SWITCH, toggle	1
90	195551	RETAINER (240V)	1
91	242001	CEE 7/7	1
	287121	Italy, Denmark, Switzerland	1

# Wiring Diagram ST Max



# Stand Assembly - ST Max II

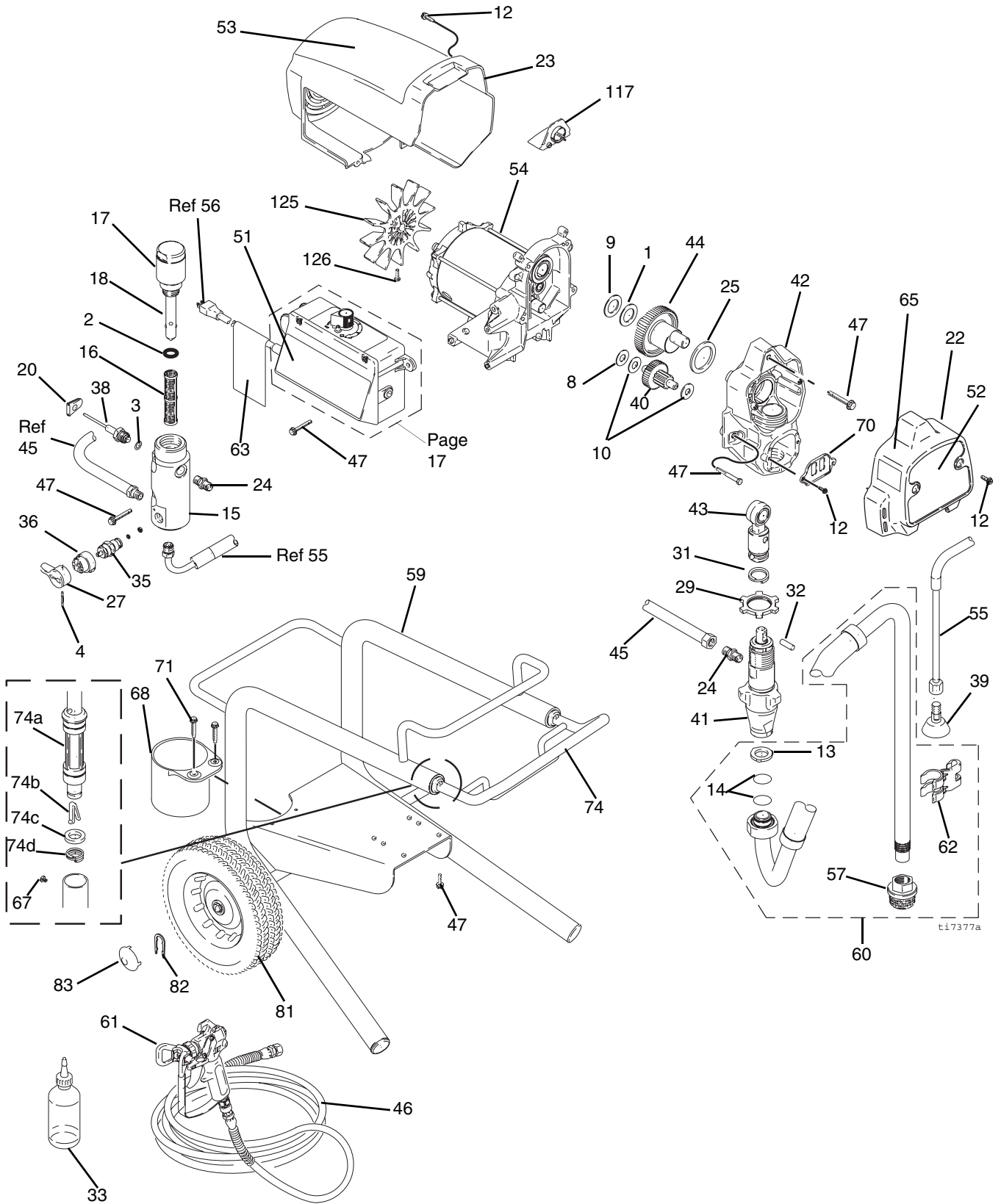


Ref No.	Part No.	Description	Qty	Ref No.	Part No.	Description	Qty
1	107434	BEARING, thrust	1	47	117493	SCREW, mach, hex washer hd	13
2	117828	PACKING, o-ring	1	51▲	15G866	LABEL, intl, SmartControl	1
3	111457	PACKING, o-ring	1	52		LABEL, front	
4	111600	Pin, grooved	1		15G828	490 Models	1
8	116073	WASHER, thrust	1		15G837	495 Models	1
9	116074	WASHER, thrust	1	53		LABEL, side	
10	116079	BEARING, thrust	2		15G829	490 Models	1
12	117501	SCREW, mach, hex washer hd	8		15G902	495 Models	1
13	115099	WASHER, garden hose	1	54	287805	MOTOR 120V (includes 125, 126)	1
14	117559	O-RING	2	55	246381	HOSE, drain, ST stand	1
15	15G455	MAINIFOLD, ST	1	57	246385	STRAINER,m7/8-14 unf	1
16†	246384	FILTER, fluid, 60 mesh	1	57	246385	STRAINER, 7/8-14 unf	1
17	15G456	CAP, manifold	1	59	15E823	FRAME, standmount	1
18	287167	INSERT, filter	1	60	246386	KIT, hose suction (includes 13, 14, 57, 62)	1
20	15B120	GROMMET, transducer	1	61	246539	GUN (includes manual 309639)	1
22	287901	COVER, front, Graco, paint (includes 65)	1	62	276888	CLIP, drain line	1
23	287900	SHIELD, motor, painted (includes 12)	1	63▲	15H085	LABEL, danger	1
24	162453	NIPPLE, 1/4 npsm x 1/4 npt	2	65▲	195793	LABEL, warning	1
25	180131	BEARING, thrust	1	66	116139	GRIP, handle	1
27	187625	HANDLE, valve, drain	1	68	287903	CUP, suction/drain	1
29	195150	NUT, jam, pump	1	70	15B589	COVER, pump rod	1
31	196750	SPRING, retaining	1	71	115723	SCREW, drill, hex washer head	1
32	196762	PIN, straight	1	72	15G857	CAP, leg	4
33	206994	FLUID, TSL	1	73	276864	HANDLE, sprayer (includes 47, 66)	1
34▲	222385	TAG, Warning (not shown)	1	105	287904	BOARD, control	1
35	235014	VALVE, drain (includes 26)	1	106▲	15G861	LABEL, smart control	1
36	224807	BASE, valve	1	109▲	243301	LABEL, set, intl	1
38	243222	TRANSDUCER, pressure control (includes 3)	1	124	246388	KIT, accessory, hopper	1
39	241920	DEFLECTOR, threaded	1	125	15D088	FAN, motor	1
40	287057	GEAR, reducer (includes 8, 10)	1	126	115477	SCREW	1
41	246428	PUMP, displacement, ST (includes 32)	1				
42	287899	HOUSING, drive (includes 12, 70)	1				
43	287053	ROD, connecting (includes 31, 32)	1				
44	287054	GEAR, crankshaft (includes 1, 9, 25)	1				
45	287003	HOSE, cpld	1				
46	240794	HOSE, cpld, 1/4 in. x 50 ft	1				

▲ Replacement Danger and Warning labels, tags, and cards are available at no cost

† Other filters available: 246382, 100 mesh; 246383, 200 mesh; 246425, 30 mesh

# Lo-boy Assembly - ST Max II

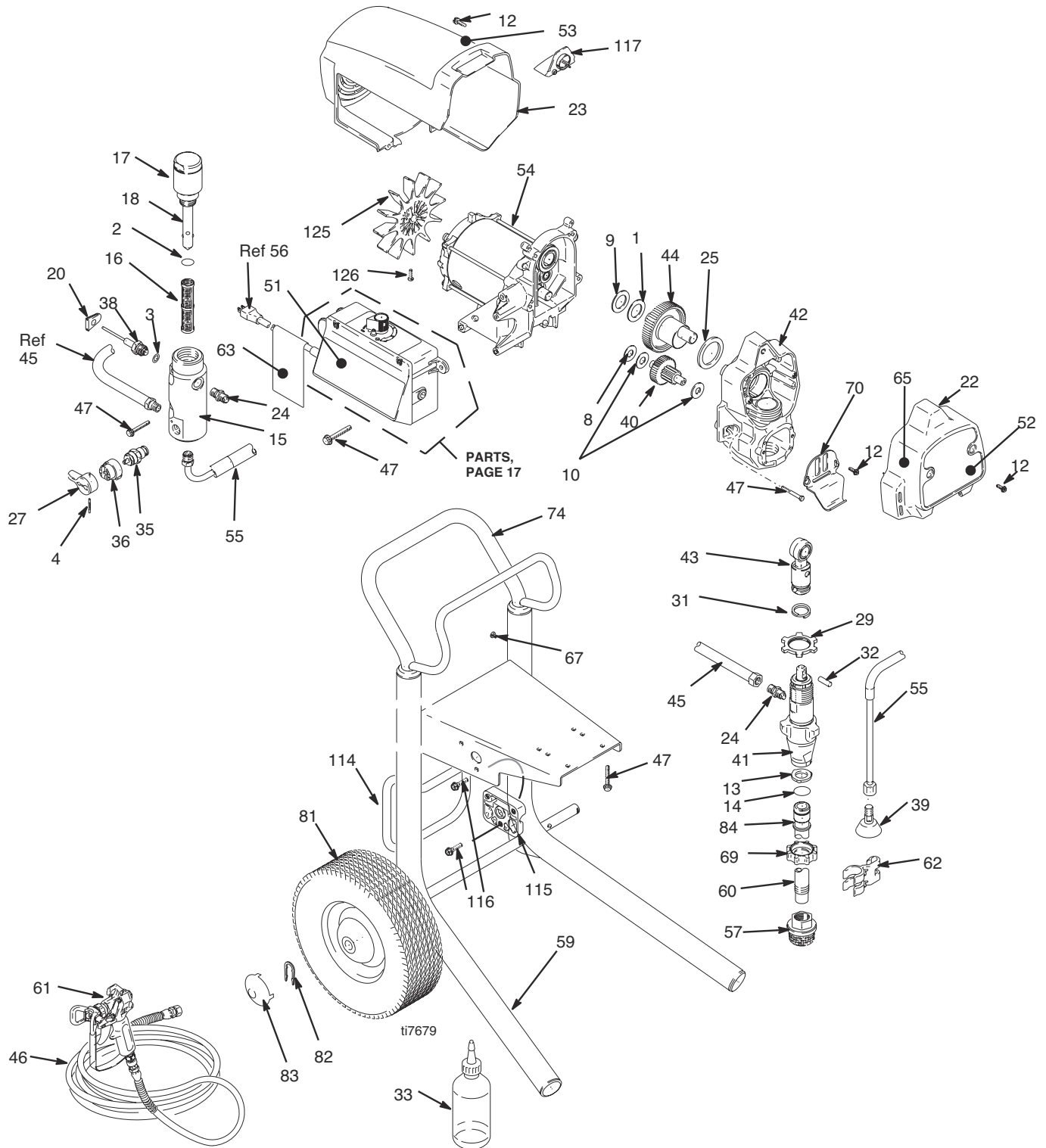


Ref No.	Part No.	Description	Qty	Ref No.	Part No.	Description	Qty
1	107434	BEARING, thrust	1	52		LABEL, front, Graco	
2	117828	PACKING, o-ring	1		15G828	490 Models	1
3	111457	PACKING, o-ring	1		15G837	495 Models	1
4	111600	Pin, grooved	1		15G903	595 Models	1
8	116073	WASHER, thrust	1	53		LABEL, side, Graco	
9	116074	WASHER, thrust	1		15G829	490 Models	1
10	116079	BEARING, thrust	2		15C902	495 Models	1
12	117501	SCREW, mach, hex washer hd	8		15G904	595 Models	1
13	115099	WASHER, garden hose	1	54		MOTOR (includes 125, 126)	
14	117559	O-RING	2		287805	490/495 Models	1
15	15G455	MAINIFOLD, ST Pro	1		287807	595 Models	1
16†	246384	FILTER, fluid, 60 mesh	1	55	246381	HOSE, drain, ST stand	1
17	15G456	CAP, manifold	1	57	246385	STRAINER,m7/8-14 unf	1
18	287167	INSERT, filter	1	59	246250	FRAME, cart. LO	1
20	15B120	GROMMET, transducer	1	60	246386	KIT, hose suction (includes 14, 57, 62)	1
22	287901	COVER, front, Graco, paint (includes 12, 65)	1	61	246539	GUN (includes manual 309639)	1
23	287900	SHIELD, motor, painted (includes 12)	1	62	276888	CLIP, drain line	1
24	162453	NIPPLE, (1/4 npsm x 1/4 npt)	2	63▲	15H085	LABEL, danger	1
25	180131	BEARING, thrust	1	65▲	195793	LABEL, warning	1
27	187625	HANDLE, valve, drain	1	67	109032	SCREW, pan hd	4
29	195150	NUT, jam, pump	1	68	15B870	CUP, suction/drain	1
31	196750	SPRING	1	70	15B589	COVER, pump rod	1
32	196762	PIN, straight	1	71	115723	SCREW, drill, hex washer head	2
33	206994	FLUID, TSL	1	74	287488	CAP, end, probe	1
34▲	222385	TAG, Warning (not shown)	1	74a	195501	SLEEVE, cart	2
35	235014	VALVE, drain (includes 26)	1	74b	178565	FITTING, fluid	2
36	224807	BASE, valve	1	74c	195763	WASHER	2
38	243222	TRANSDUCER, pressure control (includes 3)	1	74d	103117	RING, retaining	2
39	241920	DEFLECTOR, threaded	1	81	195766	WHEEL, semi pneumatic	2
40	287057	GEAR, reducer (includes 8, 10)	1	82	15B999	CLIP, retaining	2
41	246428	PUMP, displacement, ST (includes 32)	1	83	104811	CAP. hub	2
42	287899	HOUSING, drive (includes 12, 70)	1	105	287904	BOARD, control	1
43	287053	ROD, connecting (includes 31, 32)	1	109▲	243301	LABEL, set, STPRO, international	1
44		GEAR, crankshaft	1	117	15G447	PLUG, shield, painted	1
	287054	490/495 Models (includes 1, 9, 25)	1	125	15D088	FAN, motor	1
	248231	595 Models (includes 1, 9, 25)	1	126	115477	SCREW, mach, torx/slt pan hd	1
45	287003	HOSE, cpld	1				
46	240794	HOSE, cpld, 1/4 in. x 50 ft	1				
47	117493	SCREW, mach, hex washer hd	12				
51	15G866	LABEL, Ultra Max SmartControl	1				

▲ Replacement Danger and Warning labels, tags, and cards are available at no cost

† Other filters available: 246382, 100 mesh; 246383, 200 mesh; 246425, 30 mesh

# Hi-boy Assembly - ST Max II



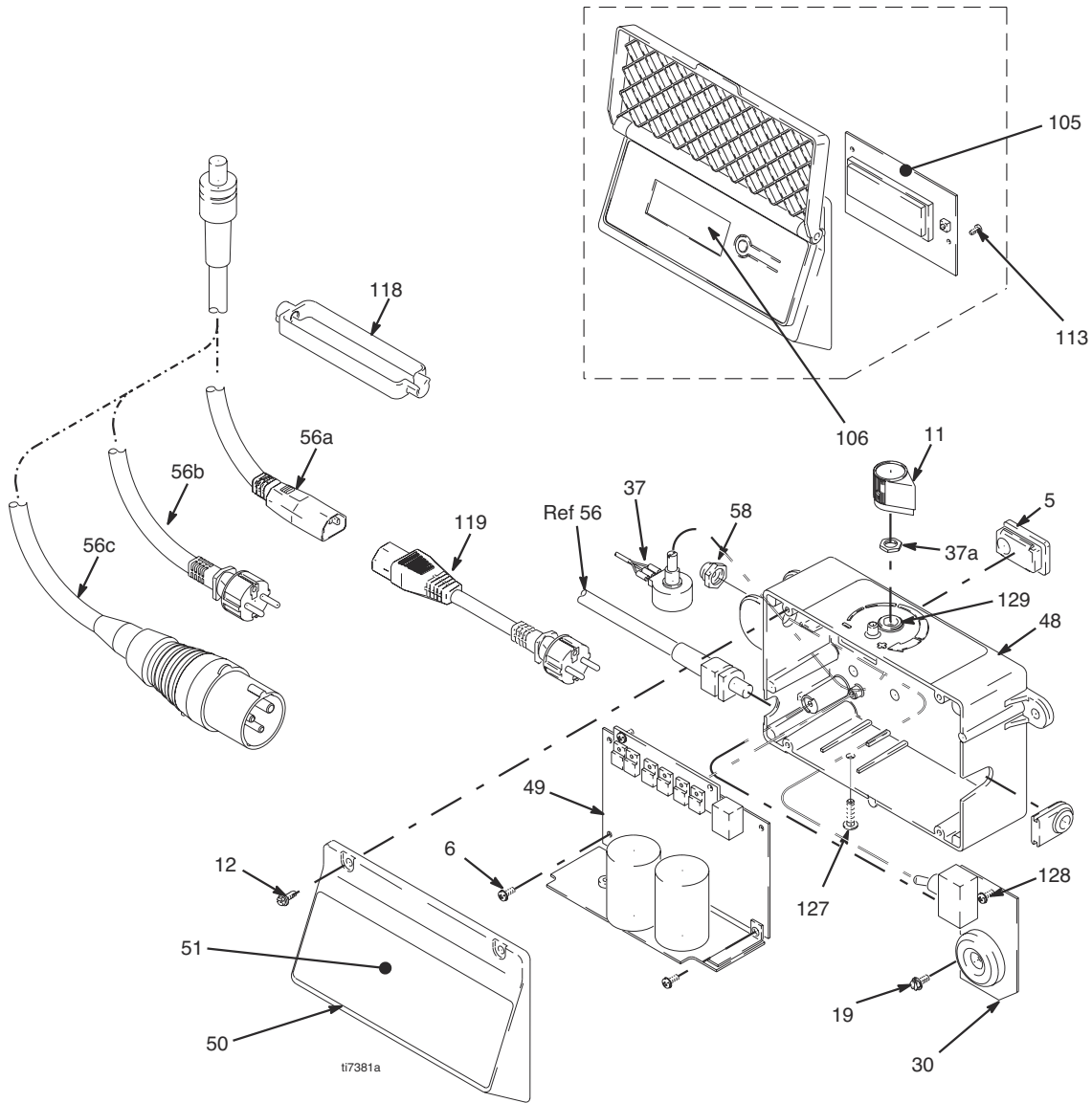


Ref No.	Part No.	Description	Qty	Ref No.	Part No.	Description	Qty
1	107434	BEARING, thrust	1	52		LABEL, ST Max II, front	
2	117828	PACKING, o-ring	1		15G828	490 Models	1
3	111457	PACKING, o-ring	1		15G837	495 Models	1
4	111600	Pin, grooved	1		15G903	595 Models	1
8	116073	WASHER, thrust	1	53		LABEL, ST Max II, side	
9	116074	WASHER, thrust	1		15G829	490 Models	1
10	116079	BEARING, thrust	2		15C902	495 Models	1
12	117501	SCREW, mach, hex washer hd	8		15G904	595 Models	1
13	115099	WASHER, garden hose	1	54		MOTOR (includes 125, 126)	
14	103413	O-RING	1		287805	490/495 Models	1
15	15G455	MAINIFOLD, ST Pro	1		287807	595 Models	1
16†	246384	FILTER, fluid, 60 mesh	1	55	243993	HOSE, drain, (includes 39)	1
17	15G456	CAP, manifold (includes 18)	1	57	246385	STRAINER, 7/8-14 unf	1
18	287167	INSERT, filter	1	59	287779	FRAME, cart, HI	1
20	15B120	GROMMET, transducer	1	60	15B506	TUBE, suction (includes 14, 57, 69, 84))	1
22	287901	COVER, front, Graco, paint (includes 12)	1	61	246539	GUN FTX E, with RAC 5, no tip (includes manual 309639)	1
23	287900	SHIELD, motor, painted (includes 12)	1	62	276888	CLIP, drain line	1
24	162453	NIPPLE, (1/4 npsm x 1/4 npt)	2	63▲	15H085	LABEL, warning (ENG, FRE, SPA)	1
25	180131	BEARING, thrust	1	65▲	195793	LABEL, warning	1
27	187625	HANDLE, valve, drain	1	67	109032	SCREW, pan hd	4
29	195150	NUT, jam, pump	1	69	15E813	NUT, jam	1
31	196750	SPRING, retaining	1	70	15C146	HOOK, pail	1
32	196762	PIN, straight	1	74	287489	HANDLE	1
33	206994	FLUID, TSL	1	81	106062	WHEEL	2
34▲	222385	TAG, Warning (not shown)	1	82	15B999	CLIP, retaining	2
35	235014	VALVE, drain (includes 5, 26)	1	83	104811	CAP. hub	2
36	224807	BASE, valve	1	105	287904	KIT, repair, display	1
38	243222	TRANSDUCER, pressure control (includes 3)	1	109	243301	LABEL, set, STPRO, international	1
39	241920	DEFLECTOR, threaded	1	114	15D281	HANGER, stand	1
40	287057	GEAR, reducer (includes 8, 10)	1	115	15C982	CAM, cart	2
41	246428	PUMP, displacement, ST (includes 32)	1	116	114531	SCREW, mch, hex	4
42	287899	HOUSING, drive (includes 12, 47)	1	117	15G447	PLUG, tubing	1
43	287053	ROD, connecting (includes 31, 32)	1	125	15D088	FAN, motor	1
44		GEAR, crankshaft	1	126	115477	SCREW	1
	287054	490/495 Models (includes 1, 9, 25)	1				
	248231	595 Models (includes 1, 9, 25)	1				
45	287003	HOSE, cpld	1				
46	240794	HOSE, cpld, 1/4 in. x 50 ft	1				
47	117493	SCREW, mach, hex washer hd	12				
51	15G866	LABEL, SmartControl	1				

▲ Replacement Danger and Warning labels, tags, and cards are available at no cost

† Other filters available: 246382, 100 mesh; 246383, 200 mesh; 246425, 30 mesh

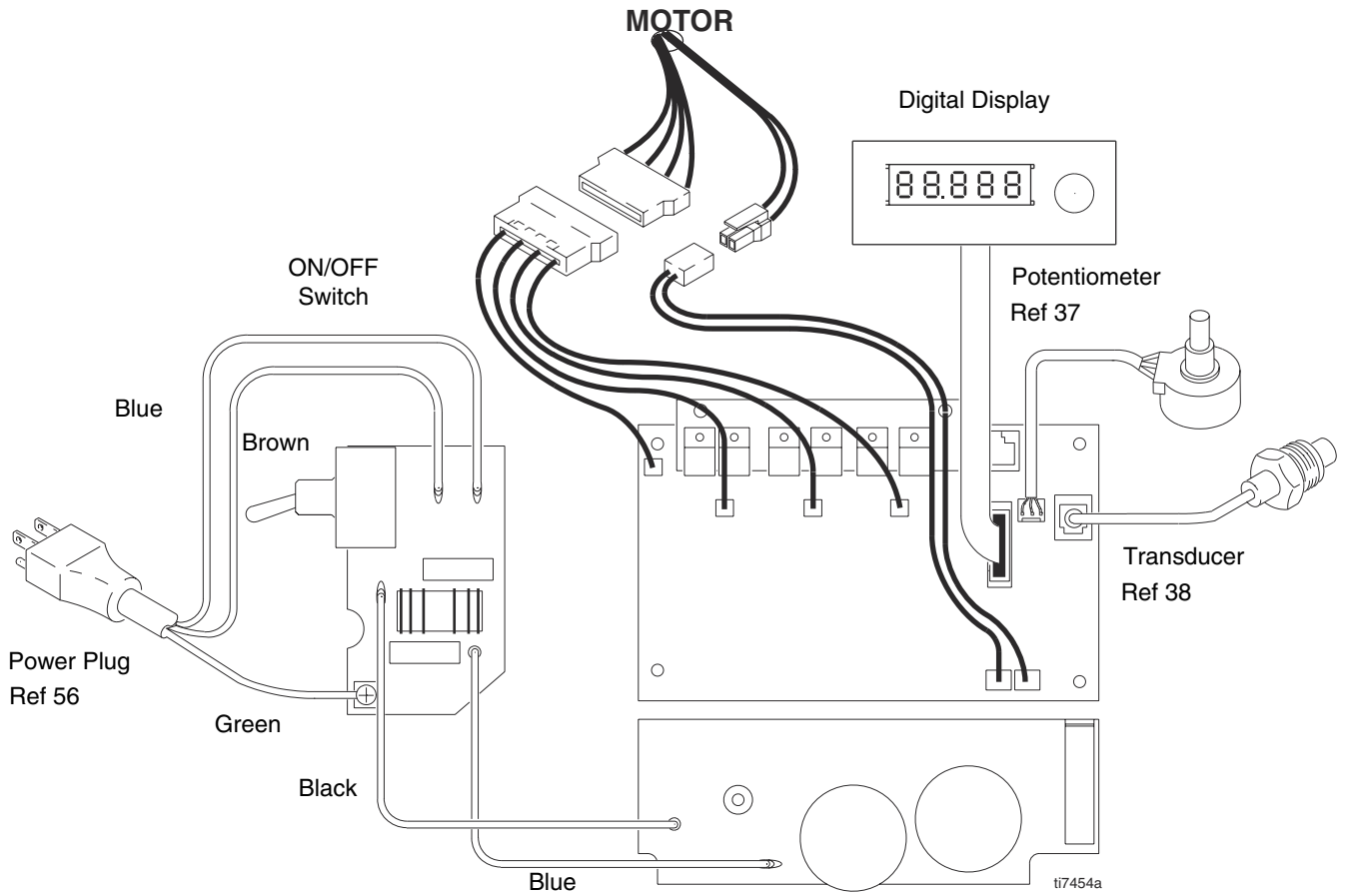
# Control Box and Board ST Max II



Ref No.	Part No.	Description	Qty
5	15G562	BUSHING, control box	1
6	115494	SCREW, mach, phillips, pan hd	5
11	116167	KNOB, potentiometer	1
12	117501	SCREW, mach, hex washer hd	4
19	115498	SCREW, mach, slot, hex, wash hd	1
30	287912	BOARD, filter, 110V Models	1
	287913	BOARD, filter, 230V Models	1
37	236352	POTENTIOMETER, adjust, pressure (includes 37a)	1
37a	112382	NUT, potentiometer	1
48	287907	BOX, control 100V Models	1
	287908	BOX, control 230V Models	1
49	287909	BOARD, control 100V models	1
	287910	BOARD, control 230V models	1
50	287789	COVER, control box	1
51▲	15G866		1

Ref No.	Part No.	Description	Qty
56		KIT, repair, cord, power	
56a	253368	110V UK	1
56b	253369	CEE 7/7	1
56c	253370	Euro Multi	1
58	195428	BOOT, toggle	1
105	287904	BOARD, control LCD	1
106	15G861	LABEL, smart control display	1
113	115522	SCREW, mch, pnh	2
118	195551	RETAINER, plug, adapter	1
119	242001	CORD SET, adapter, CEE 7/7	1
	287121	CORD SET, Italy, Denmark, Sweden	1
121▲	15G588	LABEL, digital tracking	1
127	120165	SCREW, mach, phillips, pan hd	1
128	120313	SCREW, pan hd	1
129	158674	O-RING, packing	1

# Wiring Diagram ST Max II



# Graco Standard Warranty

Graco warrants all equipment referenced in this document which is manufactured by Graco and bearing its name to be free from defects in material and workmanship on the date of sale to the original purchaser for use. With the exception of any special, extended, or limited warranty published by Graco, Graco will, for a period of twelve months from the date of sale, repair or replace any part of the equipment determined by Graco to be defective. This warranty applies only when the equipment is installed, operated and maintained in accordance with Graco's written recommendations.

This warranty does not cover, and Graco shall not be liable for general wear and tear, or any malfunction, damage or wear caused by faulty installation, misapplication, abrasion, corrosion, inadequate or improper maintenance, negligence, accident, tampering, or substitution of non-Graco component parts. Nor shall Graco be liable for malfunction, damage or wear caused by the incompatibility of Graco equipment with structures, accessories, equipment or materials not supplied by Graco, or the improper design, manufacture, installation, operation or maintenance of structures, accessories, equipment or materials not supplied by Graco.

This warranty is conditioned upon the prepaid return of the equipment claimed to be defective to an authorized Graco distributor for verification of the claimed defect. If the claimed defect is verified, Graco will repair or replace free of charge any defective parts. The equipment will be returned to the original purchaser transportation prepaid. If inspection of the equipment does not disclose any defect in material or workmanship, repairs will be made at a reasonable charge, which charges may include the costs of parts, labor, and transportation.

**THIS WARRANTY IS EXCLUSIVE, AND IS IN LIEU OF ANY OTHER WARRANTIES, EXPRESS OR IMPLIED, INCLUDING BUT NOT LIMITED TO WARRANTY OF MERCHANTABILITY OR WARRANTY OF FITNESS FOR A PARTICULAR PURPOSE.**

Graco's sole obligation and buyer's sole remedy for any breach of warranty shall be as set forth above. The buyer agrees that no other remedy (including, but not limited to, incidental or consequential damages for lost profits, lost sales, injury to person or property, or any other incidental or consequential loss) shall be available. Any action for breach of warranty must be brought within two (2) years of the date of sale.

**GRACO MAKES NO WARRANTY, AND DISCLAIMS ALL IMPLIED WARRANTIES OF MERCHANTABILITY AND FITNESS FOR A PARTICULAR PURPOSE, IN CONNECTION WITH ACCESSORIES, EQUIPMENT, MATERIALS OR COMPONENTS SOLD BUT NOT MANUFACTURED BY GRACO.** These items sold, but not manufactured by Graco (such as electric motors, switches, hose, etc.), are subject to the warranty, if any, of their manufacturer. Graco will provide purchaser with reasonable assistance in making any claim for breach of these warranties.

In no event will Graco be liable for indirect, incidental, special or consequential damages resulting from Graco supplying equipment hereunder, or the furnishing, performance, or use of any products or other goods sold hereto, whether due to a breach of contract, breach of warranty, the negligence of Graco, or otherwise.

## **FOR GRACO CANADA CUSTOMERS**

The Parties acknowledge that they have required that the present document, as well as all documents, notices and legal proceedings entered into, given or instituted pursuant hereto or relating directly or indirectly hereto, be drawn up in English. Les parties reconnaissent avoir convenu que la rédaction du présente document sera en Anglais, ainsi que tous documents, avis et procédures judiciaires exécutés, donnés ou intentés, à la suite de ou en rapport, directement ou indirectement, avec les procédures concernées.

# Graco Information

For the latest information about Graco products, visit [www.graco.com](http://www.graco.com).

**TO PLACE AN ORDER**, contact your Graco distributor or call 1-800-690-2894 to identify the nearest distributor.

*All written and visual data contained in this document reflects the latest product information available at the time of publication.  
Graco reserves the right to make changes at any time without notice.*

*For patent information, see [www.graco.com/patents](http://www.graco.com/patents).*

Original instructions. This manual contains English. MM 309706

**Graco Headquarters:** Minneapolis  
**International Offices:** Belgium, China, Japan, Korea

**GRACO INC. AND SUBSIDIARIES • P.O. BOX 1441 • MINNEAPOLIS MN 55440-1441 • USA**

**Copyright 2011, Graco Inc. All Graco manufacturing locations are registered to ISO 9001.**

[www.graco.com](http://www.graco.com)  
Revised March 2012