

# DynaStar® 35# Follower Plate

333029A

EN

For use with 35# HP and HF Model DynaStar Pumps.

## Part No.: 77X510



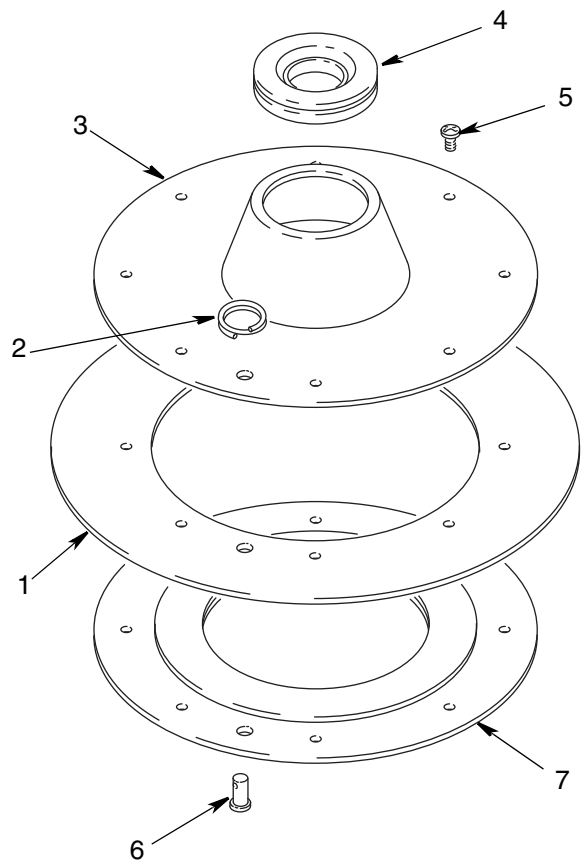
### Important Safety Instructions

Read all warnings and instructions in this manual and the DynaStar Pump Instruction Manual. Save all instructions.

## Parts

Ref. No.	Part No.	Description	Qty.
1	183241	WIPER	1
2	183245	SPRING, retaining	1
3	183242	PLATE, follower	1
4*	186104	GROMMET, follower, non-tube-in-tube models (factory installed)	1
	16V328	GROMMET, follower, tube-in-tube models (shipped loose)	1
5	103833	SCREW, machine; bnd-hd; 10-32 x 0.375 in. long	8
6	108714	PIN, clevis	1
7	220651	PLATE, wiper	1

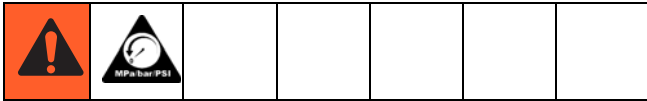
*\*For tube-in-tube installations only, the factory installed grommet (186104) must be removed from the follower plate and grommet (16V328), installed in it's place. Discard the unused grommet.*



# Follower Plate Installation

## Instructions

**NOTE:** Before the follower plate is installed, pack the cone with grease.



1. Relieve pressure using the Pressure Relief Procedure in your separate pump manual.
2. Remove pump.
3. Pack grease into follower plate cone (FIG. 1).

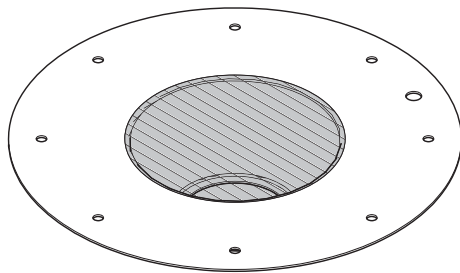


FIG. 1

4. Press follower plate, cone side up, into a pail filled with grease and firmly press on it to remove all air pockets.

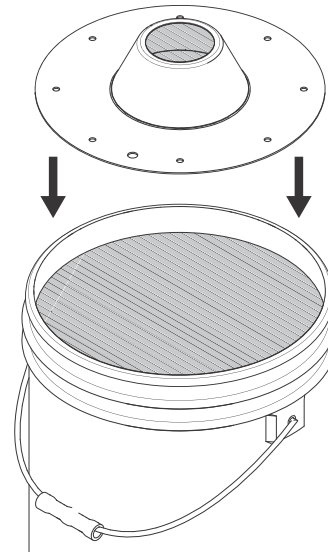


FIG. 2

5. Reinstall pump and drum cover (See Drum Cover Installation instructions included in the Drum Cover instruction manual).
6. Prime pump.

## Graco Information

For the latest information about Graco products, visit [www.graco.com](http://www.graco.com).

**TO PLACE AN ORDER**, contact your Graco distributor or call to identify the nearest distributor.

**Phone:** 612-623-6928 or **Toll Free:** 1-800-533-9655, **Fax:** 612-378-3590

*All written and visual data contained in this document reflects the latest product information available at the time of publication. Graco reserves the right to make changes at any time without notice.*

*For patent information, see [www.graco.com/patents](http://www.graco.com/patents).*

Original instructions. This manual contains English. MM 333029

**Graco Headquarters:** Minneapolis  
**International Offices:** Belgium, China, Japan, Korea

**GRACO INC. AND SUBSIDIARIES • P.O. BOX 1441 • MINNEAPOLIS MN 55440-1441 • USA**

**Copyright 2012, Graco Inc. All Graco manufacturing locations are registered to ISO 9001.**

[www.graco.com](http://www.graco.com)  
November 2013