

Hydra-Clean[®] Gun

308511J

For use in pressure washing applications with water and cleaning solutions only.

5000 psi (280 bar, 28.0 MPa) Maximum Working Pressure

Part No. 803350 Brass Body

Part No. 804589

Part No. 15T283

4500 psi (314 bar, 13.4 MPa) Maximum Working Pressure

Part No. 803351 Stainless Steel Body

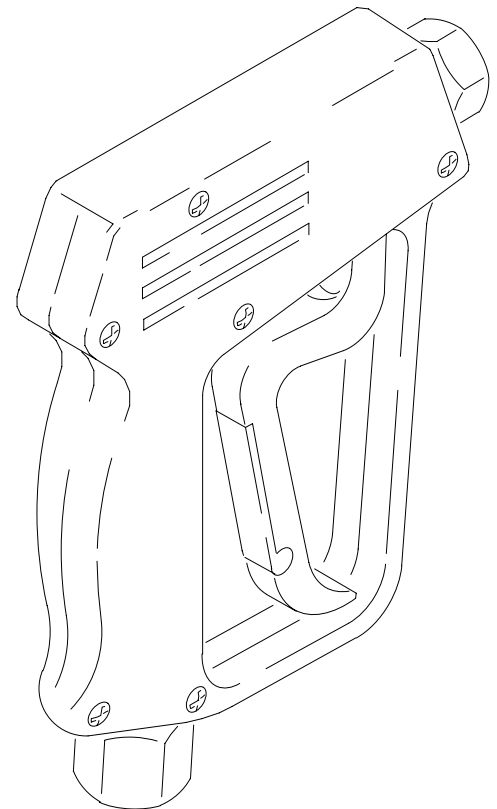
Part No. 15T282



Important Safety Instructions

Read all warnings and instructions in this manual.

Save these instructions.



Model 803351 Shown

Table of Contents

Warnings	2	Technical Data	9
Service	5	Warranty	10
Parts	6	Graco Information	10

Symbols

Warning Symbol



This symbol alerts you to the possibility of serious injury or death if you do not follow the instructions.

Caution Symbol



This symbol alerts you to the possibility of damage to or destruction of equipment if you do not follow the instructions.

! WARNING



INSTRUCTIONS

EQUIPMENT MISUSE HAZARD

Equipment misuse can cause the equipment to rupture or malfunction and result in serious injury.

- This equipment is for professional use only.
- Read all instruction manuals, tags, and labels before operating the equipment.
- Use the equipment only for its intended purpose. If you are not sure, call your Graco distributor.
- Do not alter or modify this equipment.
- Check equipment daily. Repair or replace worn or damaged parts immediately.
- Do not exceed the maximum working pressure stated on the equipment or in the **Technical Data** for your equipment. Do not exceed the maximum working pressure of the lowest rated component in your system.
- Use fluids and solvents which are compatible with the equipment wetted parts. Refer to the **Technical Data** section of all equipment manuals. Read the fluid and solvent manufacturer's warnings.
- Handle hoses carefully. Do not pull on hoses to move equipment.
- Route hoses away from traffic areas, sharp edges, moving parts, and hot surfaces. Do not expose Graco hoses to temperatures above 66°C (150°F) or below -40°C (-40°F).
- Wear hearing protection when operating this equipment.
- Do not move or lift pressurized equipment.
- Comply with all applicable local, state, and national fire, electrical, and safety regulations.

! WARNING



SKIN INJECTION HAZARD

Spray from the gun/valve, leaks or ruptured components can inject fluid into your body and cause extremely serious injury, including the need for amputation. Fluid splashed in the eyes or on the skin can also cause serious injury.

- Fluid injected into the skin might look like just a cut, but it is a serious injury. **Get immediate surgical treatment.**
- Do not point the gun at anyone or at any part of the body.
- Do not put your hand or fingers over the spray tip/valve nozzle.
- Do not stop or deflect leaks with your hand, body, glove or rag.
- Do not “blow back” fluid; this is not an air spray system.
- Always have the tip guard and the trigger guard on the gun/valve when spraying/dispensing.
- Be sure the gun trigger safety operates before spraying.
- Lock the gun trigger safety when you stop spraying.
- Follow the **Pressure Relief Procedure** on page 4 if the spray tip clogs and before cleaning, checking or servicing the equipment.
- Tighten all fluid connections before operating the equipment.
- Check the hoses, tubes, and couplings daily. Replace worn, damaged, or loose parts immediately. Permanently coupled hoses cannot be repaired; replace the entire hose.



FIRE AND EXPLOSION HAZARD

Improper grounding, poor ventilation, open flames or sparks can cause a hazardous condition and result in a fire or explosion and serious injury.

- If there is any static sparking or you feel an electric shock while using this equipment, **stop spraying/dispensing immediately.** Do not use the equipment until you identify and correct the problem.
- Provide fresh air ventilation to avoid the buildup of flammable fumes from solvents or the fluid being sprayed/dispensed.
- Keep the spray/dispense area free of debris, including solvent, rags, and gasoline.
- Before operating this equipment, electrically disconnect all equipment in the spray/dispense area.
- Before operating this equipment, extinguish all open flames or pilot lights in the spray/dispense area.
- Do not smoke in the spray/dispense area.
- Do not turn on or off any light switch in the spray/dispense area while spraying/dispensing or while operating if fumes are present.
- Do not operate a gasoline engine in the spray/dispense area.



TOXIC FLUID HAZARD

Hazardous fluid or toxic fumes can cause serious injury or death if splashed in the eyes or on the skin, inhaled, or swallowed.

- Know the specific hazards of the fluid you are using.
- Store hazardous fluid in an approved container. Dispose of hazardous fluid according to all local, state and national guidelines.
- Always wear protective eyewear, gloves, clothing and respirator as recommended by the fluid and solvent manufacturer.

Operation

Pressure Relief Procedure

WARNING



SKIN INJECTION HAZARD

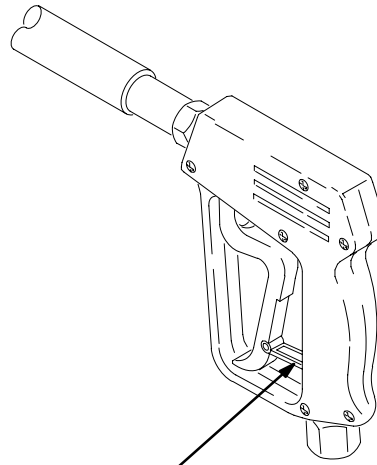
The system pressure must be manually relieved to prevent the system from starting or spraying accidentally. Fluid under high pressure can be injected through the skin and cause serious injury. To reduce the risk of an injury from injection, splashing fluid, or moving parts, follow the **Pressure Relief Procedure** whenever you:

- are instructed to relieve the pressure,
- stop spraying,
- check or service any of the system equipment,
- or install or clean the spray tip.

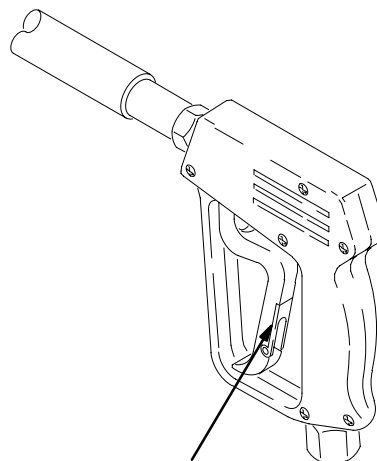
1. Engage the gun trigger safety latch.
2. Turn the gas engine or electric motor off.
3. On a gas engine, remove the ignition cable from the spark plug. On electric powered equipment, disconnect the power supply. On air powered equipment, disconnect the air supply.
4. Shut off the water supply.
5. Disengage the gun trigger safety latch and trigger the gun to relieve pressure. Then, engage the safety latch again.
6. If you are not going to use a gasoline powered pressure washer again before storing it (even overnight) or transporting it, close the fuel shutoff valve.

Trigger Safety Latch

Always engage the gun safety latch whenever you stop cleaning, even for a moment. The latch must be pulled fully up to make the gun inoperative. Failure to properly set the safety latch can result in accidental triggering of the gun. See Fig. 1.



TRIGGER SAFETY LATCH SHOWN ENGAGED



TRIGGER SAFETY LATCH SHOWN DISENGAGED

04612

Fig. 1

Service

WARNING

To reduce the risk of serious injury whenever you are instructed to relieve pressure, always follow the **Pressure Relief Procedure** on page 4.

NOTE: The number in parentheses in the text correspond to those on the Parts Drawings on pages 6 through 9.

Valve Replacement

Models 803350, 803351, 15T282, and 15T283

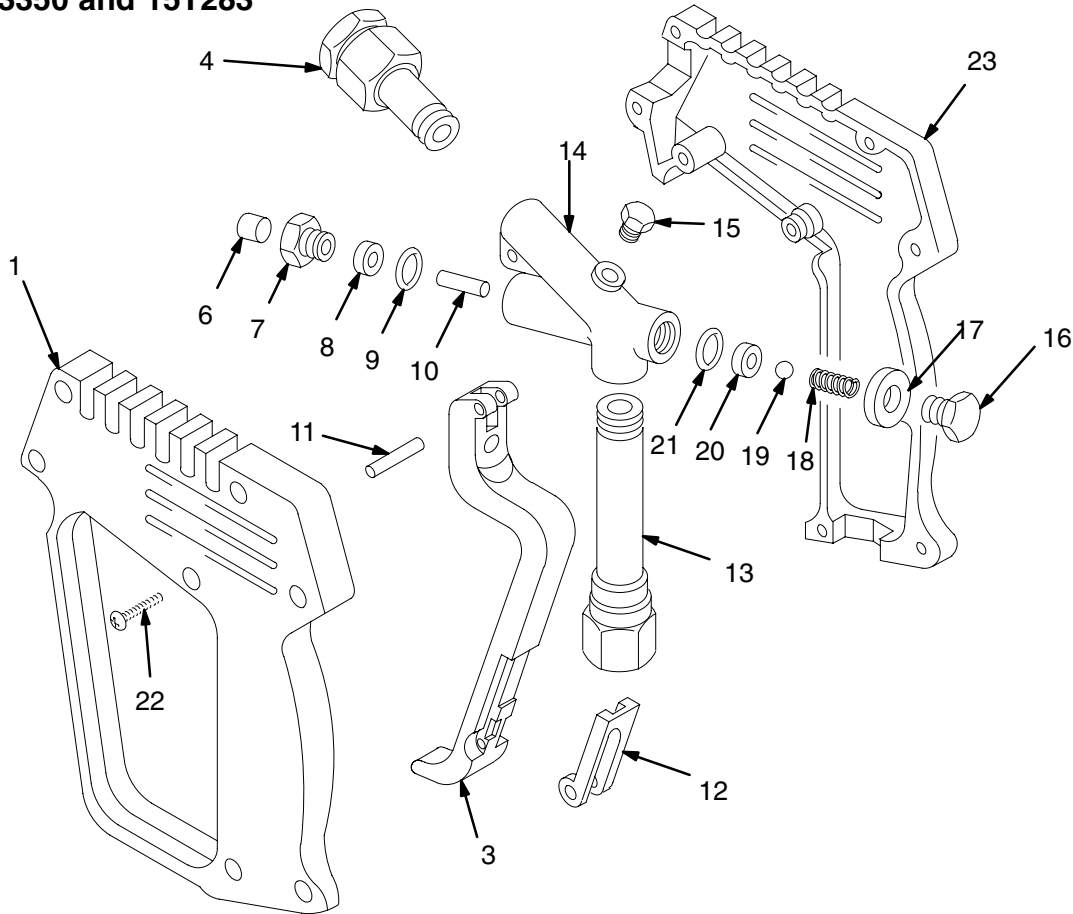
1. Remove the screws that hold the left hand sideplate (1) and the right hand sideplate (23) together. Separate the two sideplates. Remove the assembled parts from the inside of the gun.
2. Press the trigger pin out of the valve body (14) and remove the trigger (3).
3. Clamp the valve body in a vise.
4. Unscrew the plug (16), and the retaining nut (7) from the valve body (14).
5. Remove the washer (17), spring (18), ball (19), o-ring (21), seat (20), rod (10), backup ring (8), and o-ring (9) from the valve body.
6. To install the new valve:
 - a. Install the o-ring (21) on the seat (20). Grease the o-ring. Push the seat (and o-ring) into the valve body (14) from the back side. (The seat must be installed with the chamfered seat being put into the valve body facing the ball.)
 - b. Drop the ball (19) into the valve body (on top of the previously installed seat). Drop the spring (18) on top of the ball.
 - c. Install a new washer (17) on the plug (16). Screw the plug into the valve body and tighten securely.
 - d. Install an o-ring (9) into the valve body and backup ring (8) on the retaining nut (7). Grease the o-ring. Grease the outside of the rod (10) and install through the center of the retaining nut. The rod must be installed with the rounded end out toward the trigger.
 - e. Screw the actuator nut into the valve body and tighten securely.
7. Reinstall the trigger.
8. Reassemble the left hand sideplate and right hand sideplate with the seven screws.

Valve Body Replacement

1. Follow steps 1–5 under **Valve Replacement**.
2. Remove the outlet (4) and inlet (13) from the valve body (14). Remove the plug (15) from the valve body.
3. Install the plug (15) into the valve body using pipe thread sealant on the threads. Tighten the plug securely.
4. Install an outlet (4) and inlet (13) into the valve body using pipe thread sealant on the threads. Tighten both securely.
5. Follow steps 6–8 under **Valve Replacement**.

Parts

Models 803350 and 15T283



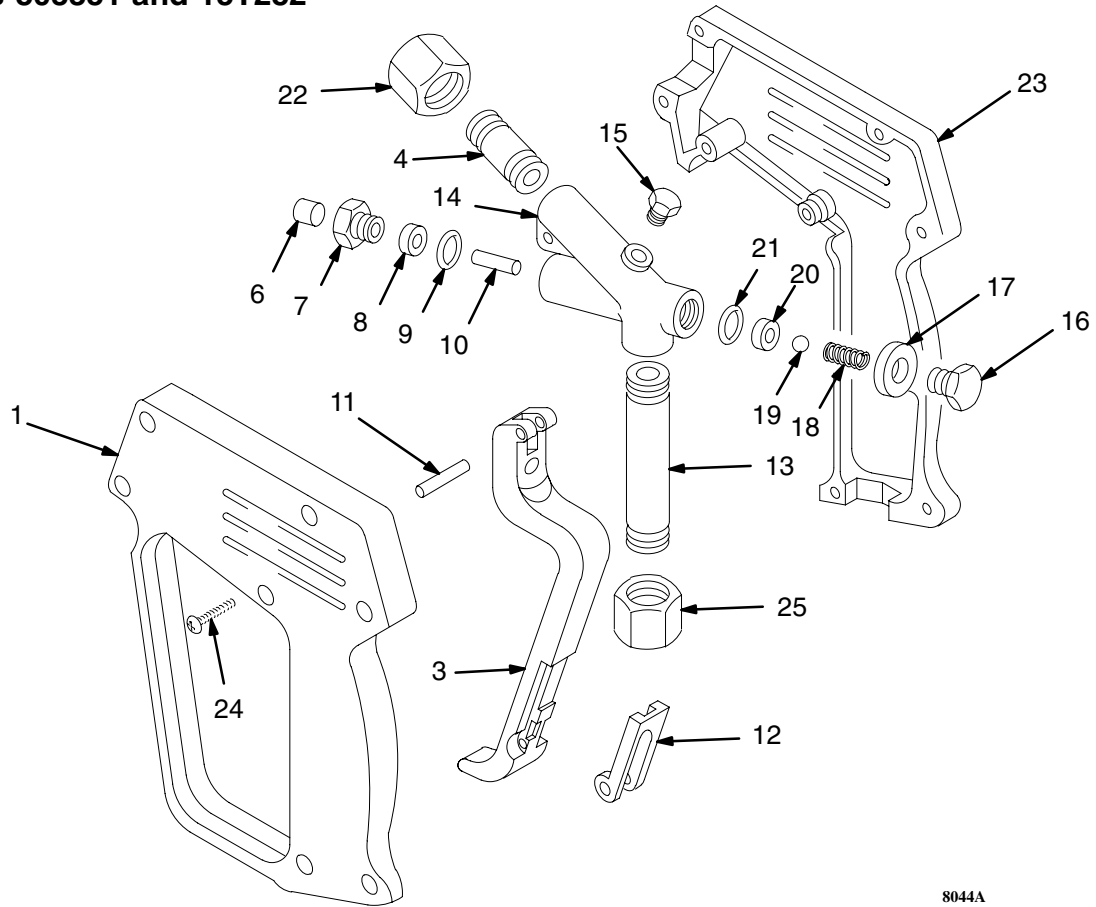
8042A

Ref. No.	Part No.	Description	Qty.	Ref. No.	Part No.	Description	Qty.
1	803355	SIDEPLATE, left	1	15	803364	PLUG	1
3	803357	TRIGGER	1	16	803365	PLUG	1
4	803358	TUBE, outlet	1	17*		WASHER	1
6	803359	STRIKER	1	18	803353	SPRING	1
7	803360	NUT, retaining, actuator	1	19*		BALL, SST	1
8*		RING, backup	1	20*		SEAT	1
9*		O-RING	1	21*		O-RING	1
10*		ROD	1	22		SCREW, m3.5 x 18	7
11	803354	PIN	1	23	803369	SIDEPLATE, right	1
12	803361	LATCH, trigger	1				
13	803362	TUBE, inlet	1				
14	803363	HOUSING	1				

* These parts are available in Repair Kit 803352.

Parts

Models 803351 and 15T282



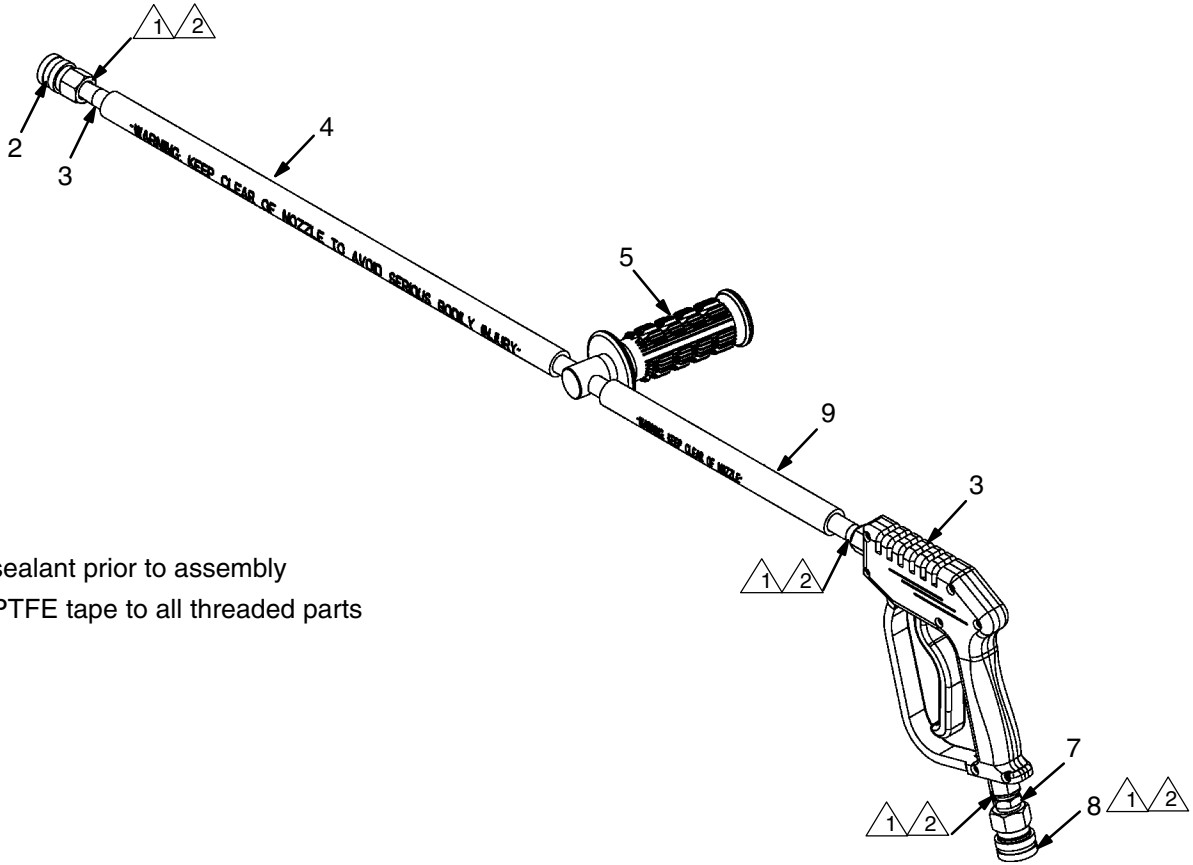
8044A

Ref. No.	Part No.	Description	Qty.	Ref. No.	Part No.	Description	Qty.
1	803384	SIDEPLATE, left	1	16	803382	PLUG	1
3	803357	TRIGGER	1	17*		WASHER	1
4	803379	TUBE, outlet	1	18	803353	SPRING	1
5	803354	PIN	1	19*		BALL, SST	1
6	803359	STRIKER	1	20*		SEAT	1
7	803374	NUT, retaining, actuator	1	21*		O-RING	1
8*		RING, backup	1	22	803372	FITTING, outlet	1
9*		O-RING	1	23	803369	SIDEPLATE, right	1
10*		ROD	1	24		SCREW, m3.5 x 18	7
12	803361	LATCH, trigger	1	25	803378	FITTING, inlet	1
13	803377	TUBE, inlet	1				
14	803380	HOUSING	1				
15	803381	PLUG	1				

* These parts are available in Repair Kit 803352.

Parts

Model 247879



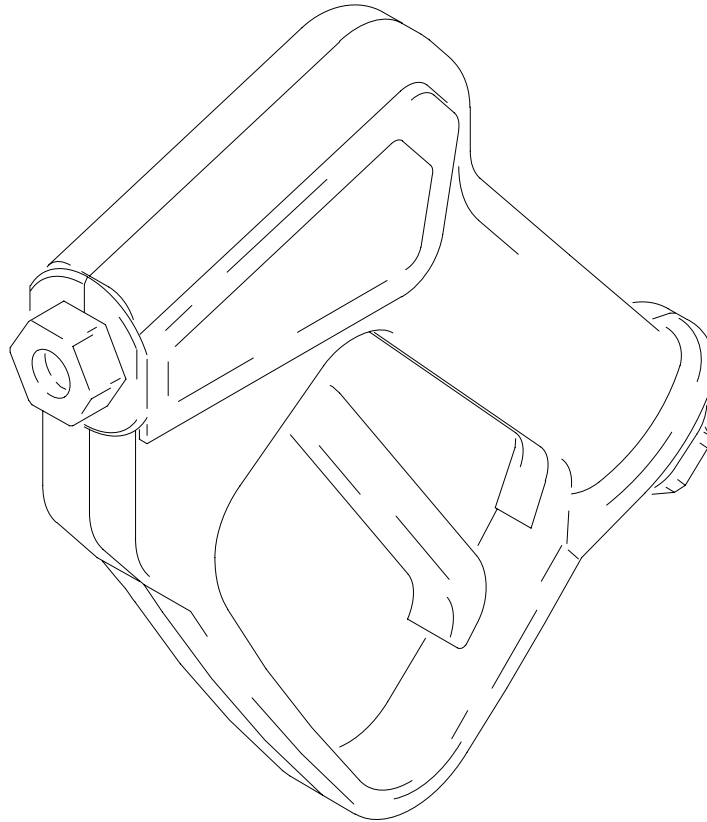
NOTES:

- △1 Apply sealant prior to assembly
- △2 Apply PTFE tape to all threaded parts

Ref. No.	Part No.	Description	Qty.	Ref. No.	Part No.	Description	Qty.
2*	15R579	COUPLER, 1/4-18 to 1/4 QD SST	1	7*	C20483	FITTING, nipple, hex	1
3	15T279	GUN, wand, SST, 32 in.	1	8*	15R397	FITTING, quick release, SST 3/8-18 NPT	1
4		SLEEVE, safety, 18 in.	1	9		SLEEVE, safety, 9 in.	1
5		HANDLE, wand	1	*		<i>These parts are available in Stainless Steel Connection Kit 247880.</i>	
6	15T283	GUN, spray	1				

Parts

Model 804589



9147A

Ref. No.	Part No.	Description	Qty.
*	804589	GUN, spray sold complete	1

* Repair kit 804591 is available (consists of ball, seat and seals)

Technical Data

	Models 803350 and 15T283	Model 247879	Models 803351 and 15T282	Model 804589
Weight	1.7 lb (0.77 kg)	4.35 lb (1.97 kg)	1.9 lb (0.86 kg)	1.3 lb (0.59 kg)
Dimensions	8.0 x 7.3 x 1.3 in. (203 x 185 x 33 mm)	42.5 x 9.3 x 2.5 in. (1080 x 236 x 64 mm)	8.9 x 5.8 x 1.3 in. (226 x 147 x 33 mm)	8.6 x 5.9 x 1.1 in. (218 x 150 x 28 mm)
Fluid Outlet	1/4 npt	1/4 QD	1/4 npt	1/4 npt
Fluid Inlet	3/8 npt	3/8 QD	3/8 npt	3/8 npt
Wetted Parts	Buna-N, PTFE, Brass, Stainless Steel	Buna-N, PTFE, Brass, Stainless Steel	Buna-N, PTFE, Stainless Steel	Buna-N, PTFE, Brass, Stainless Steel

Graco Standard Warranty

Graco warrants all equipment manufactured by Graco and bearing its name to be free from defects in material and workmanship on the date of sale to the original purchaser for use. With the exception of any special, extended, or limited warranty published by Graco, Graco will, for a period of twelve months from the date of sale, repair or replace any part of the equipment determined by Graco to be defective. This warranty applies only when the equipment is installed, operated and maintained in accordance with Graco's written recommendations.

This warranty does not cover, and Graco shall not be liable for general wear and tear, or any malfunction, damage or wear caused by faulty installation, misapplication, abrasion, corrosion, inadequate or improper maintenance, negligence, accident, tampering, or substitution of non-Graco component parts. Nor shall Graco be liable for malfunction, damage or wear caused by the incompatibility of Graco equipment with structures, accessories, equipment or materials not supplied by Graco, or the improper design, manufacture, installation, operation or maintenance of structures, accessories, equipment or materials not supplied by Graco.

This warranty is conditioned upon the prepaid return of the equipment claimed to be defective to an authorized Graco distributor for verification of the claimed defect. If the claimed defect is verified, Graco will repair or replace free of charge any defective parts. The equipment will be returned to the original purchaser transportation prepaid. If inspection of the equipment does not disclose any defect in material or workmanship, repairs will be made at a reasonable charge, which charges may include the costs of parts, labor, and transportation.

THIS WARRANTY IS EXCLUSIVE, AND IS IN LIEU OF ANY OTHER WARRANTIES, EXPRESS OR IMPLIED, INCLUDING BUT NOT LIMITED TO WARRANTY OF MERCHANTABILITY OR WARRANTY OF FITNESS FOR A PARTICULAR PURPOSE.

Graco's sole obligation and buyer's sole remedy for any breach of warranty shall be as set forth above. The buyer agrees that no other remedy (including, but not limited to, incidental or consequential damages for lost profits, lost sales, injury to person or property, or any other incidental or consequential loss) shall be available. Any action for breach of warranty must be brought within two (2) years of the date of sale.

Graco makes no warranty, and disclaims all implied warranties of merchantability and fitness for a particular purpose in connection with accessories, equipment, materials or components sold but not manufactured by Graco. These items sold, but not manufactured by Graco (such as electric motors, switches, hose, etc.), are subject to the warranty, if any, of their manufacturer. Graco will provide purchaser with reasonable assistance in making any claim for breach of these warranties.

In no event will Graco be liable for indirect, incidental, special or consequential damages resulting from Graco supplying equipment hereunder, or the furnishing, performance, or use of any products or other goods sold hereto, whether due to a breach of contract, breach of warranty, the negligence of Graco, or otherwise.

FOR GRACO CANADA CUSTOMERS

The parties acknowledge that they have required that the present document, as well as all documents, notices and legal proceedings entered into, given or instituted pursuant hereto or relating directly or indirectly hereto, be drawn up in English. Les parties reconnaissent avoir convenu que la rédaction du présente document sera en Anglais, ainsi que tous documents, avis et procédures judiciaires exécutés, donnés ou intentés à la suite de ou en rapport, directement ou indirectement, avec les procédures concernées.

Graco Information

For the latest information about Graco products, visit www.graco.com.

TO PLACE AN ORDER, contact your Graco distributor or call to identify the distributor closest to you:

Toll Free: 1-800-690-2894

*All written and visual data contained in this document reflects the latest product information available at the time of publication.
Graco reserves the right to make changes at any time without notice.*

This manual contains English. MM 308511

Graco Headquarters: Minneapolis
International Offices: Belgium, China, Japan, Korea

GRACO INC. P.O. BOX 1441 MINNEAPOLIS, MN 55440-1441

Copyright 1994, Graco Inc. is registered to ISO 9001

www.graco.com

Revised 07/2009