

GrindLazer™

3A5929A

EN

For removal of materials from flat horizontal concrete and asphalt surfaces. For professional use only.

Model 25M992 - Forward cut

GrindLazer HP DC89 G (270 cc / 9 hp)

Model 25M993 - Forward cut

GrindLazer HP DC1013 G (390 cc / 13 hp)

Model 25M994 - Reverse up cut (Must be used with LineDriver™)

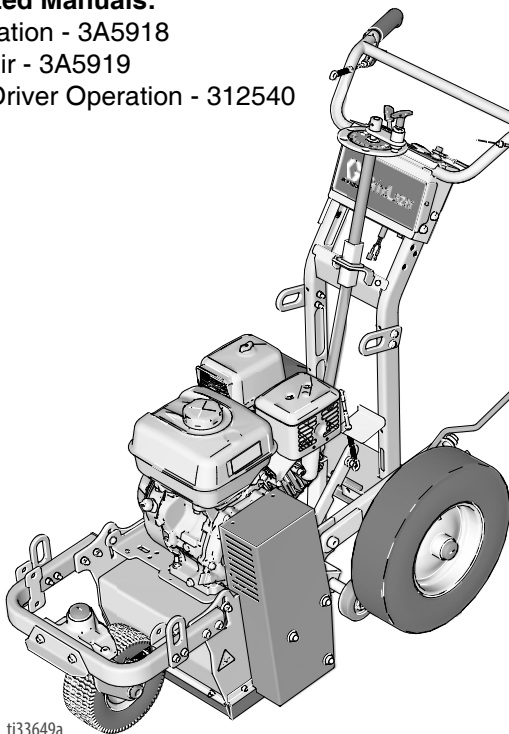
GrindLazer HP DC1021 G (627 cc / 21 hp Electric Start)

Related Manuals:

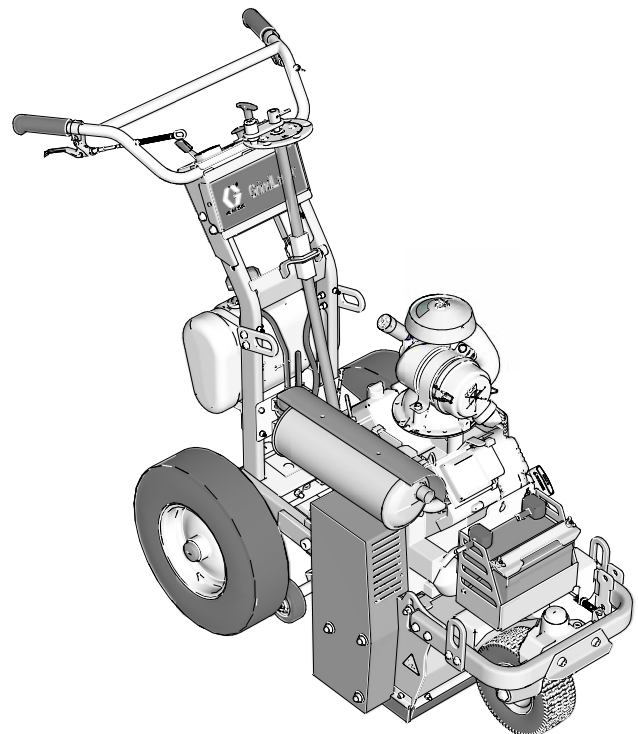
Operation - 3A5918

Repair - 3A5919

LineDriver Operation - 312540



GrindLazer HP DC89 G and HP DC1013G

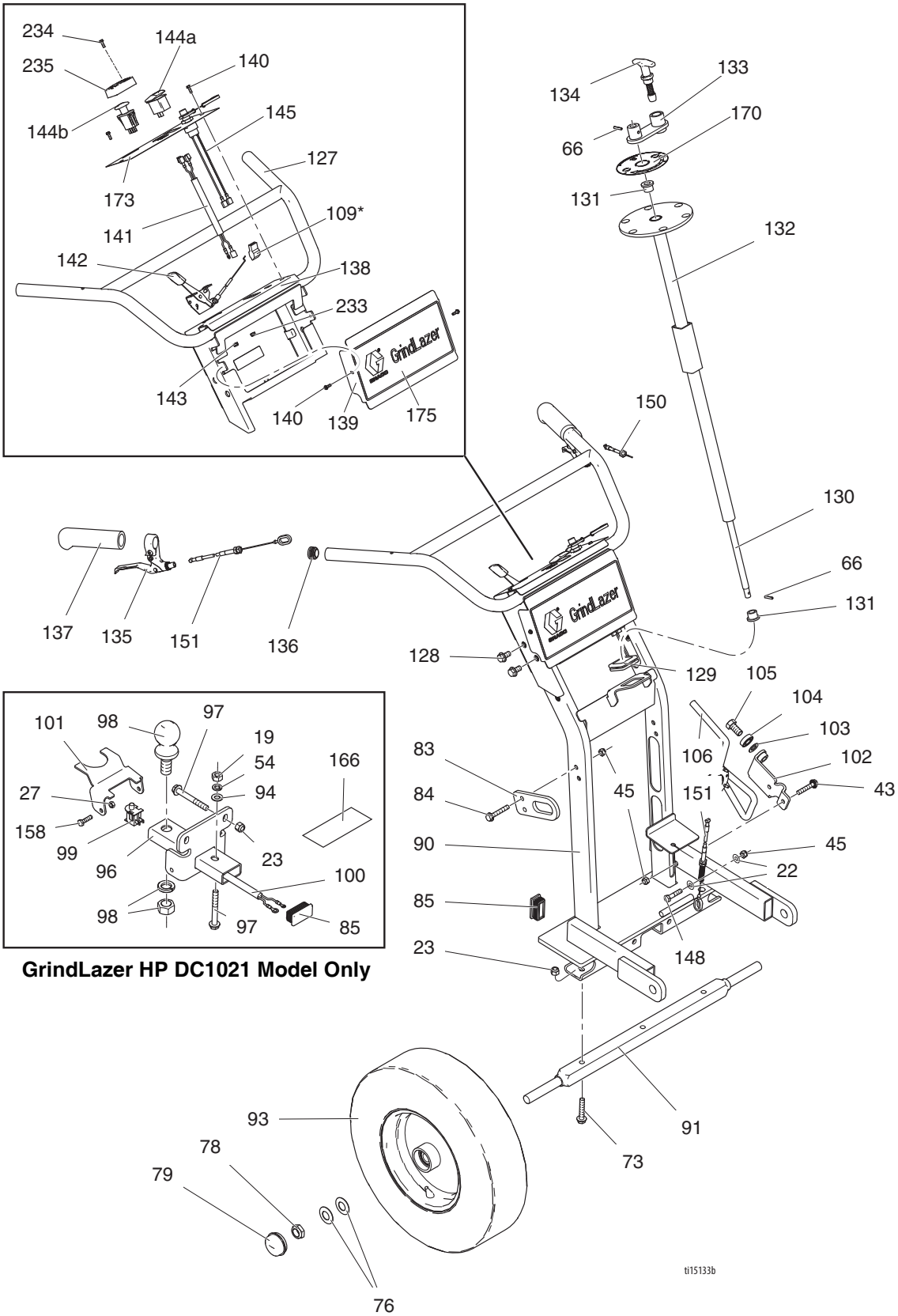


GrindLazer HP DC1021 G Electric Start

(Drums, Cutters, and LineDriver™ sold separately)



Parts



ti15133b

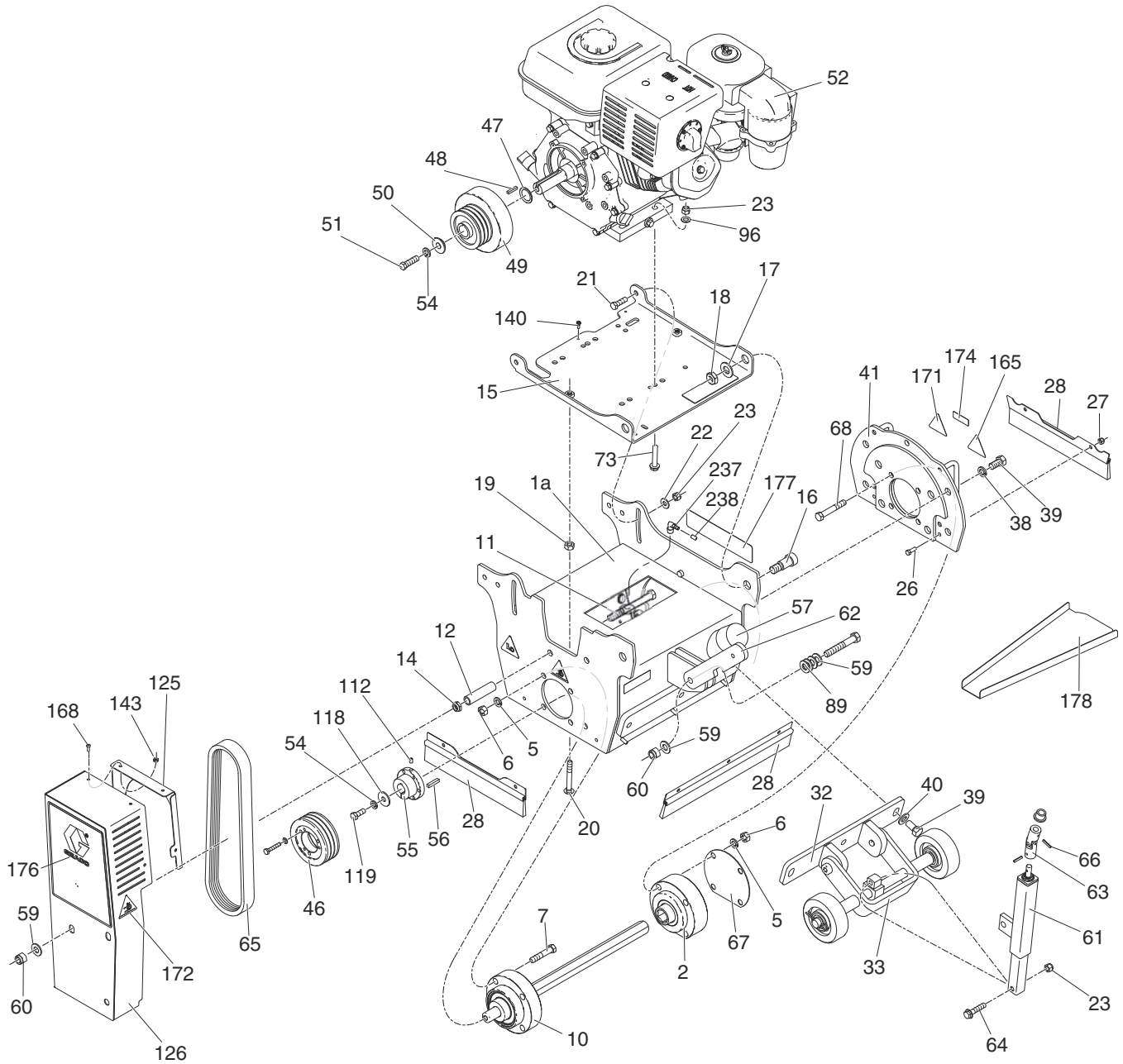
Parts List

Ref.	Part	Description	Qty	Ref.	Part	Description	Qty
19	100131	NUT, full hex	2	130	16C986	SHAFT, adjustment, cutter height	1
22	100023	WASHER, flat	5	131	115104	BEARING, flange	2
23	101566	NUT, lock	13	132	24D072	SHAFT, crank, adjustment	1
43	112960	SCREW, cap, flng HD	6	133	24C982	BRACKET, crankshaft	1
45	111040	NUT, lock, insert, nylock, 5/16	15	134	24D618	PIN, handle, scarifier	1
54	100133	WASHER, lock	1	135	194310	LEVER, actuator	2
66	123984	PIN, spring	3	136	120151	RETAINER, plug	2
73	114982	SCREW, cap, flng HD	4	137	114659	GRIP, handle	2
76	112825	SPRING, belleville	6	138	16C808	PLATE, control	1
78	112405	NUT, lock	3	139	16D440	COVER, control	1
79	114648	CAP, dust	3	140	117501	SCREW, mach, slot hex wash HD	5
83	16C781	PLATE, lift, scarifier	4	141	16C789	HARNESS, wire (270/390 only)	1
84	114653	SCREW, cap, flange head	6		16C788	HARNESS, wire (480/630 only)	1
85	115087	PLUG, tubing	6	142	24E296	CONTROL, throttle cable	1
90	24D135	FRAME, rear	1	143	109466	NUT, lock, hex	2
91	193405	AXLE	1	144a	114954	SWITCH, power (270/390 only)	1
93	111020	WHEEL, pneumatic	2	114b	123682	SWITCH, power (480/630 only)	1
94	100731	WASHER	1	145	16D097	SWITCH, safety, tether, terminated	1
96	24D544	HITCH, mount	1		124081	CORD, lanyard, switch safety	1
97	116935	SCREW, cap, flng HD	3	148	102547	SCREW, cap, hex HD	1
98	116913	BALL, trailer	1	150	123816	CABLE	1
99	116833	SWITCH, safety	1	151	16A717	CABLE with spring	1
100	16C790	HARNESS, wire	1	166▲	16D005	LABEL, 16 hp control (480/630 only)	1
101	16D497	ACTUATOR, switch, hitch	1	170	16D076	LABEL, scarifier cutter position	1
102	198891	BRACKET	1	173▲	16C395	LABEL, ISO hazards & prevent	1
103	195134	SPACER, ball, guide	1	175	16D391	LABEL, brand, grindlazer	1
104	198931	BEARING	1	233	C19862	NUT, lock, hex	2
105	113961	SCREW, cap, hex HD	1	234	124131	SCREW, machine, pan head	2
106	198930	ROD, brake	1	235	17W284	METER, tachometer/hour	1
109	114956	TERMINAL, wire, tap (270/390 only)	1				
127	24C911	BAR, handle	1				
128	112395	SCREW, cap, flng HD	4				
129	16C278	GROMMET, square	1				

▲ Replacement Danger and Warning labels, tags, and cards are available at no cost.

Parts

GrindLazer DC89 G / DC1013 G



ti25393b

Parts List

Ref.	Part	Description	Qty	Ref.	Part	Description	Qty
					123814	ENGINE, gasoline, 13 HP (DC1013 only)	1
1a	24D185	ENCLOSURE, 9 HP and 13 HP (DC89 / DC1013 only)	1	54	100133	WASHER, lock (DC1013 only)	1
2	24E291	BEARING, mount	1	55	100052	WASHER, lock (DC89 only)	1
5	100052	WASHER, lock	8	56	123799	BUSHING, QD, sheave, pulley	1
6	101213	NUT, full, hex	8	57	16D410	KEY, square	1
7	123770	SCREW, cap, hex HD	4	59	123811	CAP, plug, tube, red, 2 inch	1
10	24E290	KIT, bearing, shaft, drive	1	60	109570	WASHER, plain	9
11	123643	SCREW, cap, hex HD	3	61	801020	NUT, lock	4
12	16C409	SPACER, guard, belt	3	61	24D150	ACTUATOR, cutter height, assembly	1
14	100321	NUT	3	62	16C667	ROD, lock, transport	1
15	24D168	PLATE, mount, motor	1	63	123681	SWIVEL, universal, joint	1
16	123644	SCREW, shoulder, socket head	2	64	116780	SCREW, hex, hd, flanged	5
17	111841	WASHER, plain 5/8	2	65*	124994	BELT, 3VX355	1
18	119554	NUT, lock, nylon, thin pattern	2	66	123984	PIN, spring	3
19	100131	NUT, full hex	2	67	16D443	COVER, dust, bearing	2
20	124258	BOLT, carriage	1	68	123982	SCREW, cap, hex head	4
21	100004	SCREW, cap, hex HD	2	73	114982	SCREW, cap	8
22	100023	WASHER, flat	2	89	119547	NUT, hex, lock, nylon, thin	1
23	101566	NUT, lock	13	96	112914	WASHER	4
26	100022	SCREW, cap, hex HD	9	112	108851	WASHER, plain	2
27	102040	NUT, lock, hex	12	118	100133	WASHER, lock	2
28	24D584	KIT, brush, scarifier	2	119	116596	SCREW, cap, hex head	2
32	24D170	BRACKET, arm, pivot	1	126	24D075	COVER, belt	1
33	16C666	BRACKET, pivot, wheel, rear, painted	1	140	117501	SCREW, mach, slot hex wash HD	5
38	100018	WASHER, lock, spring	4	165▲	16D646	LABEL, hot surface	1
39	123664	SCREW, cap, hex head	7	171▲	16C393	LABEL, ISO cut foot icon	2
40	113962	WASHER, hardened, SAE	3	172▲	16C394	LABEL, ISO pinch hazard icon	2
41	24D173	COVER, cage, drum	1	174	16C396	LABEL, grease equipment 50 hours	2
46	123697	PULLEY, sheave, QD, 3V	1	176	17W756	LABEL, brand, Grindlazer DC1013	1
47	16E053	SPACER, clutch (DC89/DC1013 only)	1		17W755	LABEL, brand, Grindlazer DC89	1
48	801137	KEY, square	1	177	17W760	LABEL, brand, Grindlazer DC1013	1
49*	24H324	CLUTCH, centrifugal (DC89/DC1013 only)	1		17W759	LABEL, brand, Grindlazer DC89	1
50	16C708	SPACER, engine (DC1013 only)	1	178	15F354	FUNNEL, oil	1
	16D067	SPACER, engine (DC89 only)	1	237	17W935	FITTING, 1/4" NPTMx1/4" Barb	
51	123939	SCREW, cap, hex, head (DC1013 only)	1	238	128718	CAP, Vinyl, 1/4-5/16	
	123941	SCREW, cap, hex, head (DC89 only)	1				
52	123966	ENGINE, gasoline, 9 HP (DC89 only)	1				

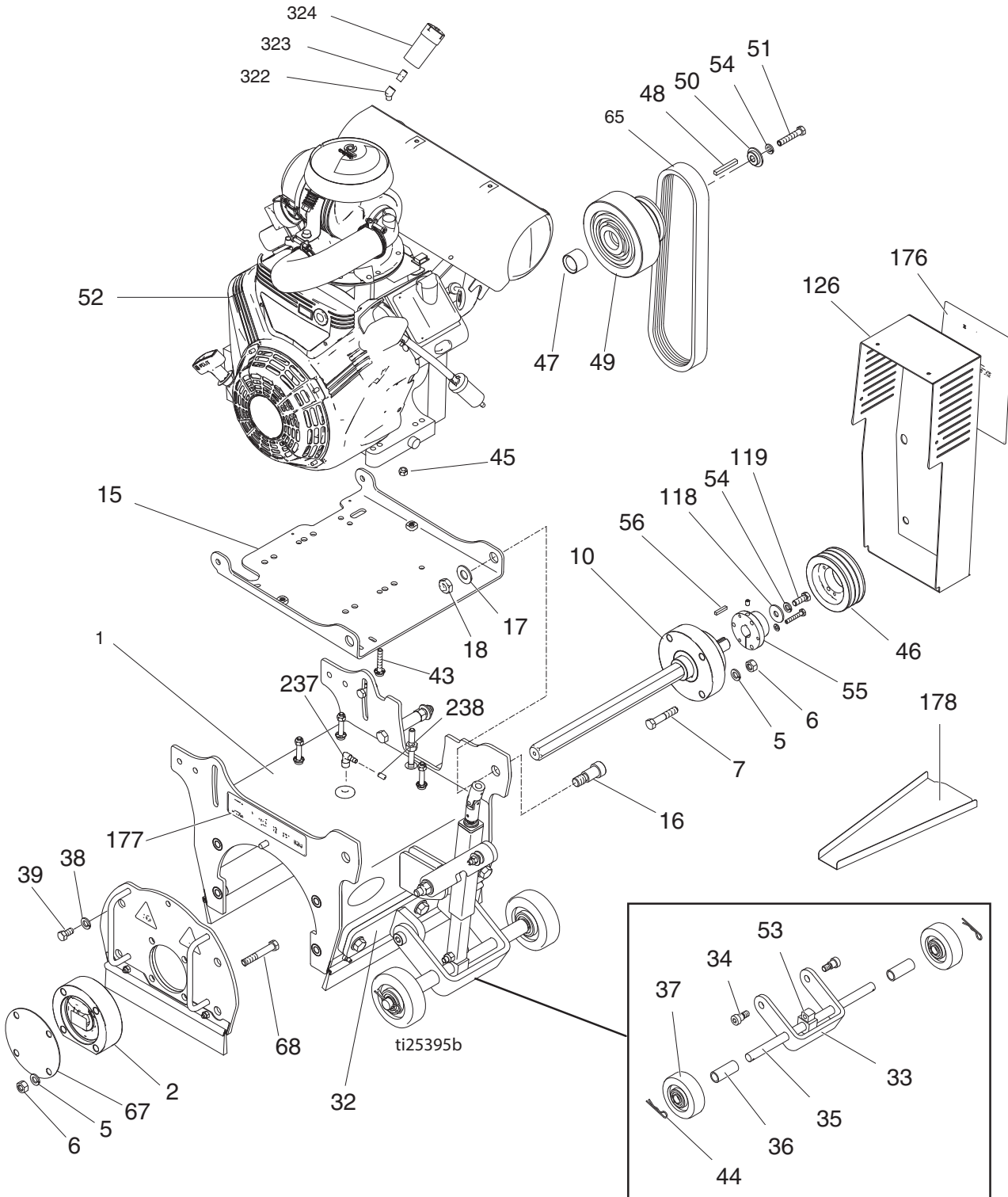
* KIT includes belt 65

▲ Replacement Danger and Warning labels, tags, and cards are available at no cost.

NOTE: Any part that does not call out a specific GrindLazer model is common to all three GrindLazer models.

Parts

GrindLazer DC1021



Parts List

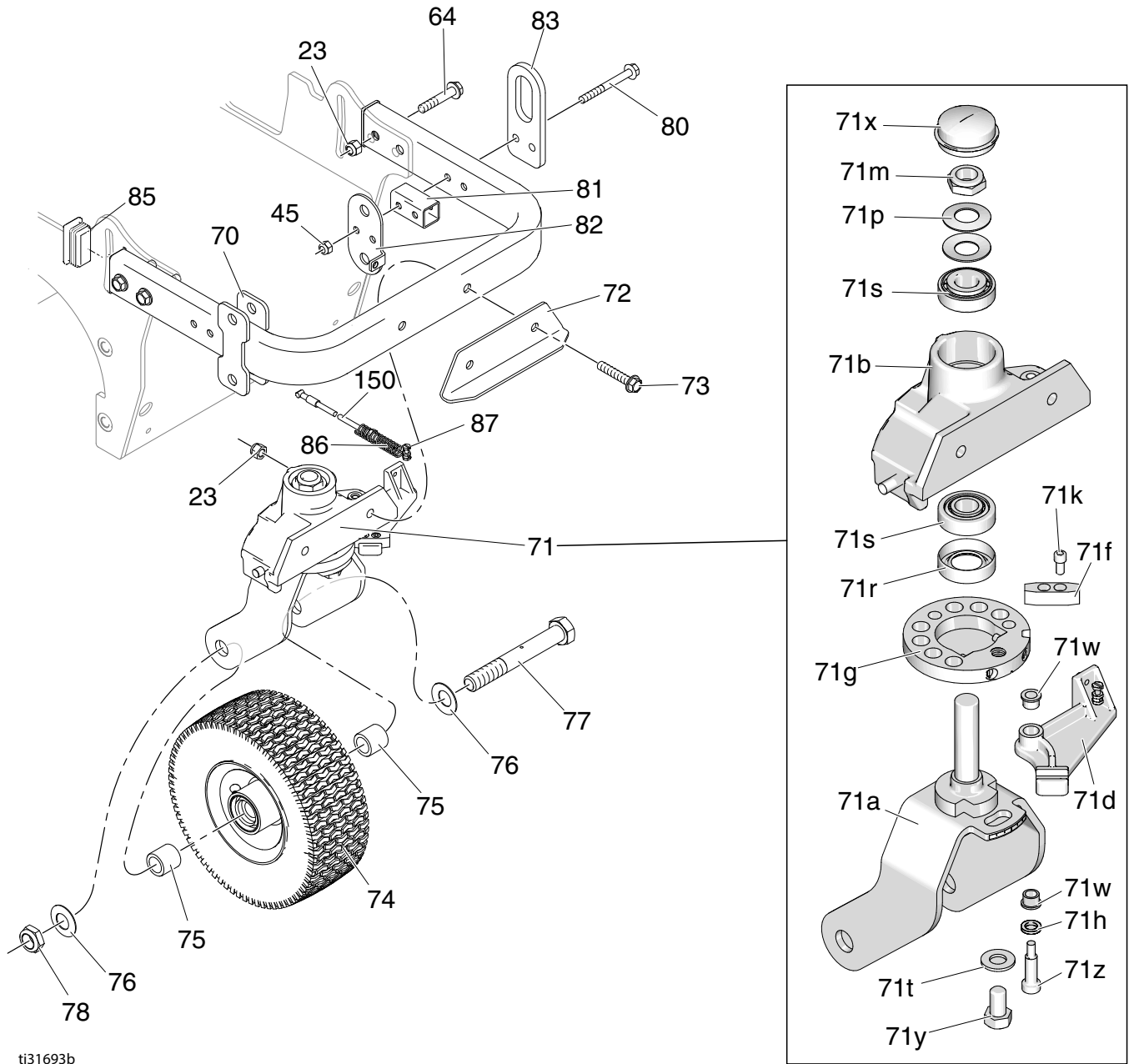
Ref.	Part	Description	Qty	Ref.	Part	Description	Qty
1b	24D186	ENCLOSURE, 21 HP	1	53	16C492	ADAPTER, shaft, height adjustment	1
2	24E291	BEARING, mount	1	54	100133	WASHER, lock (DC1021 only)	1
5	100052	WASHER, lock	8	55	123799	BUSHING, QD, sheave, pulley	1
6	101213	NUT, full, hex	8	56	16D410	KEY, square	1
7	123770	SCREW, cap, hex HD	4	65*	124994	BELT, 3VX355	1
10	24E290	KIT, bearing, shaft, drive	1	67	16D443	COVER, dust, bearing	2
15	24D168	PLATE, mount, motor	1	68	123982	SCREW, cap, hex head	4
16	123644	SCREW, shoulder, socket head	2	118	100133	WASHER, lock	2
17	111841	WASHER, plain 5/8	2	119	116596	SCREW, cap, hex head	2
18	119554	NUT, lock, nylon, thin pattern	2	126	24D075	COVER, belt	1
32	24D170	BRACKET, arm, pivot	1	176	17W757	LABEL, brand, Grindlazer DC1021	1
33	16C666	BRACKET, pivot, wheel	1	177	17W761	LABEL, brand, Grindlazer DC1021	1
34	123746	SCREW, shoulder, socket head	2	178	15F354	FUNNEL, oil	1
35	16C054	AXLE, pivot, drum, wheel	1	237	17W935	FITTING, 1/4" NPTM X 1/4" Barb	
36	16C055	SPACER, wheel, pivot	2	238	128718	CAP, Vinyl, 1/4-5/16	
37	123613	WHEEL	2	322	113630	ELBOW	1
38	100018	WASHER, lock, spring	4	323	125509	FITTING, nipple	1
39	123664	SCREW, cap, hex head	7	324	127989	INDICATOR, air filter	1
43	112960	SCREW, cap, flng HD	6				
44	123906	PIN, cotter, hair pin	2				
45	111040	NUT, lock, insert, nylock, 5/16	15				
46	123697	PULLEY, sheave, QD, 3V	1				
47	16P716	SPACER, clutch (DC1021 only)	1				
48	801137	KEY, square	1				
49*	24H323	CLUTCH, centrifugal (DC1021)	1				
50	16C708	SPACER, engine (DC1021)	1				
51	123940	SCREW, cap, hex head (DC1021)	1				
52	17W573	ENGINE, gasoline, 21HP (DC1021)	1				

* KIT includes belt 65

NOTE: See the GrindLazer DC89 G / DC1013 G section on pages 4 and 5 for DC1021 parts that are common with DC89 / DC1013.

Parts

GrindLazer DC89 / DC1013



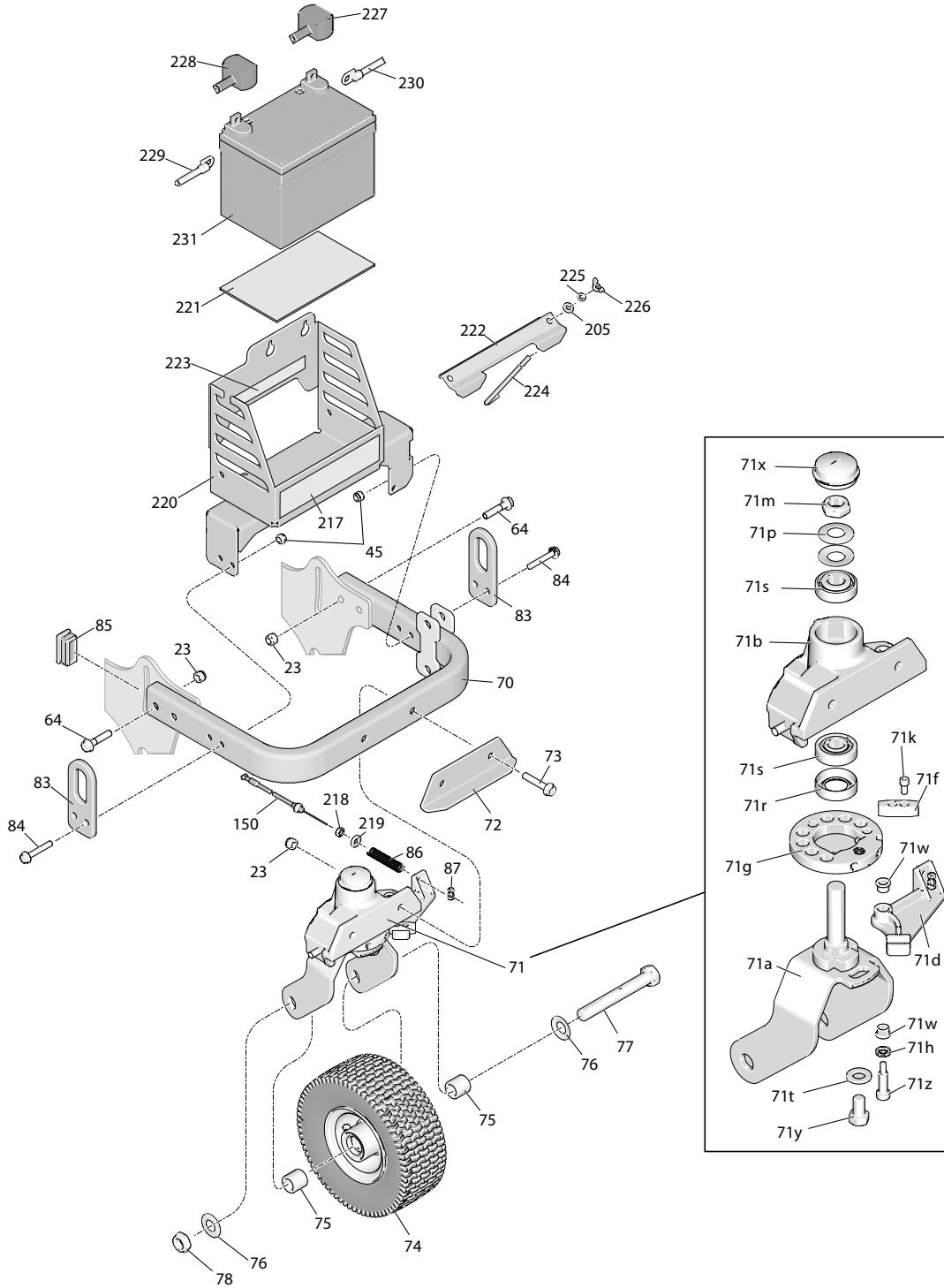
Parts List

Ref.	Part	Description	Qty	Ref.	Part	Description	Qty
23	101566	NUT, lock	6	71y	114681	SCREW	1
45	111040	NUT, lock, insert, nylock, 5/16	4	71z	120476	BOLT	1
64	116780	SCREW, hex, HD, flanged	4	72	240991	BRACKET, caster, front	1
70	24D184	FRAME, front	1	73	114982	SCREW, cap, flng HD	2
71	24H246	CASTER, LineLazer	1	74	114549	WHEEL, pneumatic	1
71a	17H485	SHAFT, fork	1	75	193658	SPACER, seal	2
71b*	15G952	BRACKET	1	76	112825	SPRING, belleville	2
71d	193528	ARM, detent	1	77	113471	SCREW, cap, hex HD	1
71f	193662	STOP, wedge	1	78	112405	NUT, lock	3
71g	17H486	DISK, adjuster	1	80	120229	SCREW, hex flange	4
71h	15J603	WASHER	1	81	16C111	SPACER, support, cable	1
71j	108483	SCREW, shoulder, sch	1	82	15F910	BRACKET, cable	1
71k	110754	SCREW, cap	2	83	16C781	PLATE, lift, scarifier	2
71m	112405	NUT, lock	4	85	115087	PLUG, tubing	2
71p	119563	SPRING, belleville	2	86	114682	SPRING, compression	1
71r	113484	SEAL	1	87	114802	STOP, wire	1
71s*	113485	BEARING	2	150	123816	CABLE	1
71t	113962	WASHER	1				
71w	114548	BEARING, bronze	2				
71x	114648	CAP, dust	3				

* Included in Bracket Repair Kit 240940.

Parts

GrindLazer DC1021



t33679a

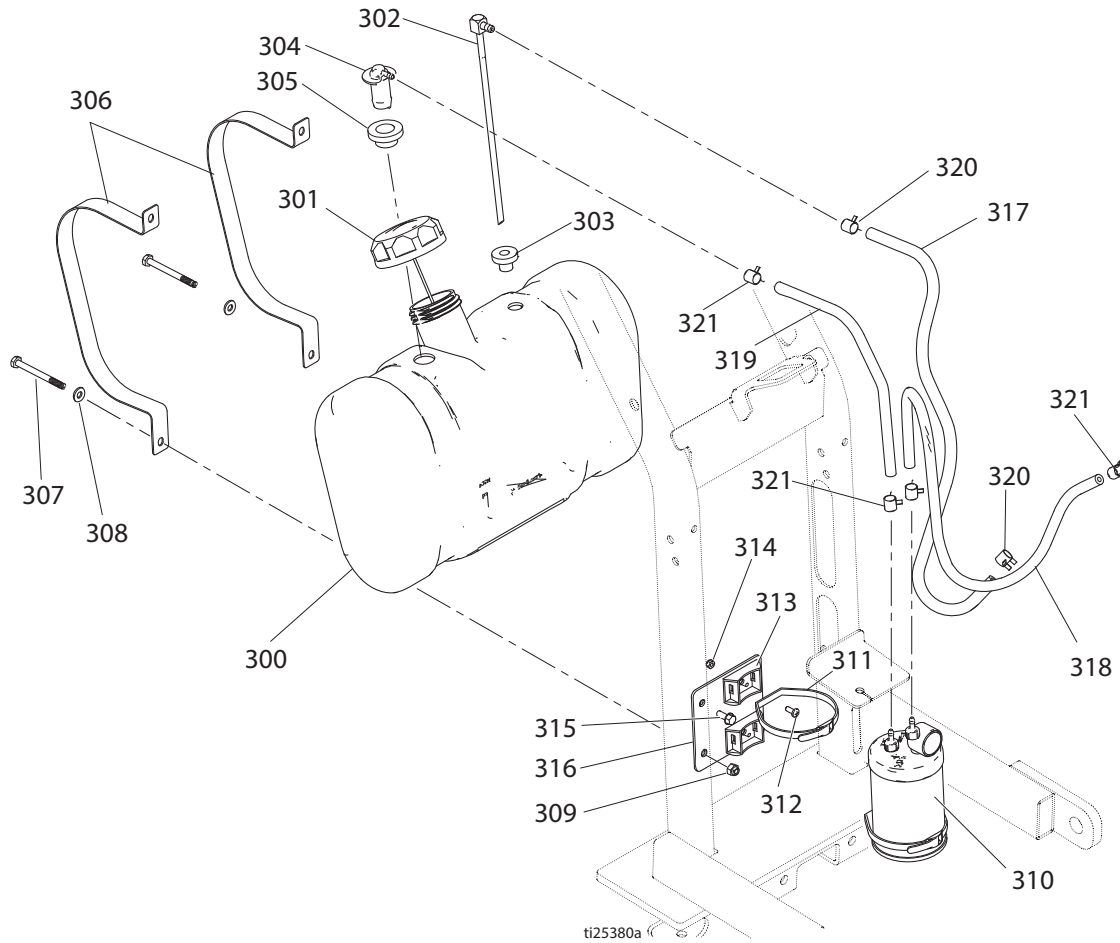
Parts List

Ref.	Part	Description	Qty	Ref.	Part	Description	Qty
23	101566	NUT, lock	6	78	112405	NUT, lock	3
45	111040	NUT, lock, insert, nylock, 5/16	4	83	16C781	PLATE, lift, scarifier	2
64	116780	SCREW, hex, HD, flanged	4	84	114653	SCREW, cap, flange head	4
70	24D184	FRAME, front	1	85	115087	PLUG, tubing	2
71	24H246	CASTER, LineLazer	1	86	114682	SPRING, compression	1
71a	17H485	SHAFT, fork	1	87	114802	STOP, wire	1
71b*	15G952	BRACKET	1	150	123816	CABLE	1
71d	193528	ARM, detent	1	217	17W802	LABEL, grindlazer, electric start	1
71f	193662	STOP, wedge	1	218	110005	NUT, jam, hex	1
71g	17H486	DISK, adjuster	1	219	100527	WASHER, plain	1
71h	15J603	WASHER	1	220	17W807	BOX, battery, grindlazer, painted	1
71j	108483	SCREW, shoulder, sch	1	221	801972	PAD, battery	1
71k	110754	SCREW, cap	2	222	16U697	BRACKET, mounting, battery, painted	1
71m	112405	NUT, lock	4	223	15F366	PAD, foam, 6 in.	1
71p	119563	SPRING, belleville	2	224	107068	HOOK, bolt	2
71r	113484	SEAL	1	225	100016	WASHER, lock	2
71s*	113485	BEARING	2	226	100011	NUT, wing	2
71t	113962	WASHER	1	227	801958	PROTECTOR, terminal, red	1
71w	114548	BEARING, bronze	2	228	801959	TERMINAL, protector, black	1
71x	114648	CAP, dust	3	229	113951	CABLE, electric, neg	1
71y	114681	SCREW	1	230	125073	CABLE, electric, battery, positive	1
71z	120476	BOLT	1	231	115753	BATTERY, 33ah, sealed	1
72	240991	BRACKET, caster, front	1				
73	114982	SCREW, cap, flng HD	2				
74	114549	WHEEL, pneumatic	1				
75	193658	SPACER, seal	2				
76	112825	SPRING, belleville	2				
77	113471	SCREW, cap, hex HD	1				

* Included in Bracket Repair Kit 240940.

Parts

GrindLazer DC1021 Model Only

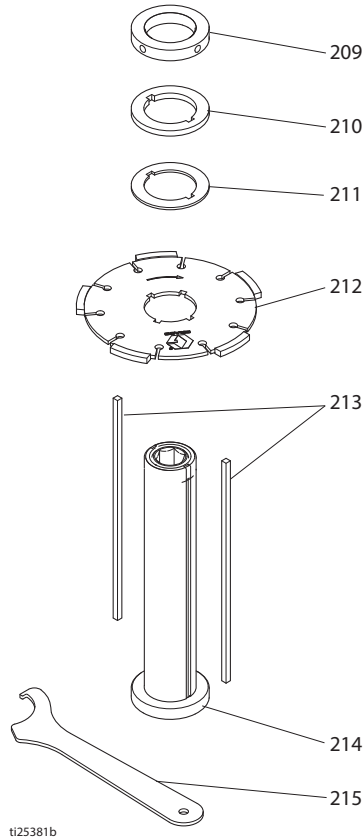


Parts List

Ref.	Part	Description	Qty	Ref.	Part	Description	Qty
300	17C978	KIT, fuel tank, 2 gallon	1	311	16G756	STRAP	2
301	17C989	CAP, fuel	1	312	116610	SCREW	2
302	17C988	PICK UP FUEL	1	313	16G758	BRACKET	2
303	16G754	GROMMET	1	314	115483	NUT	2
304	17D030	GROMMET	1	315	112774	SCREW	1
305	17D029	VALVE, fuel	1	316	17D019	BRACKET	1
306	17D021	STRAP, mounting	1	317	17C983	HOSE, 1/4" 19 in.	1
307	103547	SCREW	4	318	17C984	HOSE, 3/6" 21 in.	1
308	110755	WASHER	4	319	17C985	HOSE, 3/16" 14 in.	2
309	102040	NUT	4	320	16G757	CLAMP, hose 1/4	2
310	17C979	CART, carbon	1	321	16G162	CLAMP, hose 3/16	5

Drum and Cutter Parts

Diamond Drum Parts



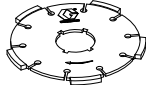
Flail-Type Drum Parts

Visit www.graco.com/drumassembly for instructions on how to assemble various drum configurations.

Diamond Drum Parts List

Ref.	Part	Description	Qty
209	16A259	CAP, end, threaded	◆
210	16A257	SPACER, 1/4 in.	◆
211	16A258	SPACER, 1/8 in.	◆
212	24E289	BLADE, diamond	◆
213	123252	SQUARE KEY	2
214	24D982	DRUM	1
215	16E065	WRENCH, spanner	1

◆ Quantities will vary. See chart below.

Diamond Blades		Applications: Specifically used to inlay and groove concrete and asphalt pavement						
Ref.	Part	Description	Cut Width	Blades	1/8 in. Blade Spacers	1/4 in. End Spacers	Square Key	
212	24E289	Replacement Diamond Blade	1/4 in. / 6.35 cm	1				
	24B965	Completely assembled drum for pavement grooving/inlay	5 in. / 12.75 cm	30	204	21	2	
	24D583	Completely assembled drum for pavement grooving/inlay	10 in. / 25.5 cm	42	132	2	2	

Graco Standard Warranty

Graco warrants all equipment referenced in this document which is manufactured by Graco and bearing its name to be free from defects in material and workmanship on the date of sale to the original purchaser for use. With the exception of any special, extended, or limited warranty published by Graco, Graco will, for a period of twelve months from the date of sale, repair or replace any part of the equipment determined by Graco to be defective. This warranty applies only when the equipment is installed, operated and maintained in accordance with Graco's written recommendations.

This warranty does not cover, and Graco shall not be liable for general wear and tear, or any malfunction, damage or wear caused by faulty installation, misapplication, abrasion, corrosion, inadequate or improper maintenance, negligence, accident, tampering, or substitution of non-Graco component parts. Nor shall Graco be liable for malfunction, damage or wear caused by the incompatibility of Graco equipment with structures, accessories, equipment or materials not supplied by Graco, or the improper design, manufacture, installation, operation or maintenance of structures, accessories, equipment or materials not supplied by Graco.

This warranty is conditioned upon the prepaid return of the equipment claimed to be defective to an authorized Graco distributor for verification of the claimed defect. If the claimed defect is verified, Graco will repair or replace free of charge any defective parts. The equipment will be returned to the original purchaser transportation prepaid. If inspection of the equipment does not disclose any defect in material or workmanship, repairs will be made at a reasonable charge, which charges may include the costs of parts, labor, and transportation.

THIS WARRANTY IS EXCLUSIVE, AND IS IN LIEU OF ANY OTHER WARRANTIES, EXPRESS OR IMPLIED, INCLUDING BUT NOT LIMITED TO WARRANTY OF MERCHANTABILITY OR WARRANTY OF FITNESS FOR A PARTICULAR PURPOSE.

Graco's sole obligation and buyer's sole remedy for any breach of warranty shall be as set forth above. The buyer agrees that no other remedy (including, but not limited to, incidental or consequential damages for lost profits, lost sales, injury to person or property, or any other incidental or consequential loss) shall be available. Any action for breach of warranty must be brought within two (2) years of the date of sale.

GRACO MAKES NO WARRANTY, AND DISCLAIMS ALL IMPLIED WARRANTIES OF MERCHANTABILITY AND FITNESS FOR A PARTICULAR PURPOSE, IN CONNECTION WITH ACCESSORIES, EQUIPMENT, MATERIALS OR COMPONENTS SOLD BUT NOT MANUFACTURED BY GRACO. These items sold, but not manufactured by Graco (such as electric motors, switches, hose, etc.), are subject to the warranty, if any, of their manufacturer. Graco will provide purchaser with reasonable assistance in making any claim for breach of these warranties.

In no event will Graco be liable for indirect, incidental, special or consequential damages resulting from Graco supplying equipment hereunder, or the furnishing, performance, or use of any products or other goods sold hereto, whether due to a breach of contract, breach of warranty, the negligence of Graco, or otherwise.

FOR GRACO CANADA CUSTOMERS

The Parties acknowledge that they have required that the present document, as well as all documents, notices and legal proceedings entered into, given or instituted pursuant hereto or relating directly or indirectly hereto, be drawn up in English. Les parties reconnaissent avoir convenu que la rédaction du présente document sera en Anglais, ainsi que tous documents, avis et procédures judiciaires exécutés, donnés ou intentés, à la suite de ou en rapport, directement ou indirectement, avec les procédures concernées.

Graco Information

For the latest information about Graco products, visit www.graco.com.

For patent information, see www.graco.com/patents.

TO PLACE AN ORDER, contact your Graco distributor or call 1-800-690-2894 to identify the nearest distributor.

*All written and visual data contained in this document reflects the latest product information available at the time of publication.
Graco reserves the right to make changes at any time without notice.*

For patent information, see www.graco.com/patents.

Original instructions. This manual contains English. MM 3A5929

Graco Headquarters: Minneapolis
International Offices: Belgium, China, Japan, Korea

GRACO INC. AND SUBSIDIARIES • P.O. BOX 1441 • MINNEAPOLIS MN 55440-1441 • USA

Copyright 2012, Graco Inc. All Graco manufacturing locations are registered to ISO 9001.

www.graco.com

Revision A, June 2018