

Air Manifold Kit

332735B

EN

For supplying air to feed pumps, agitator, and gun used with Reactor[®] 2 proportioning systems.

Kit 24U315

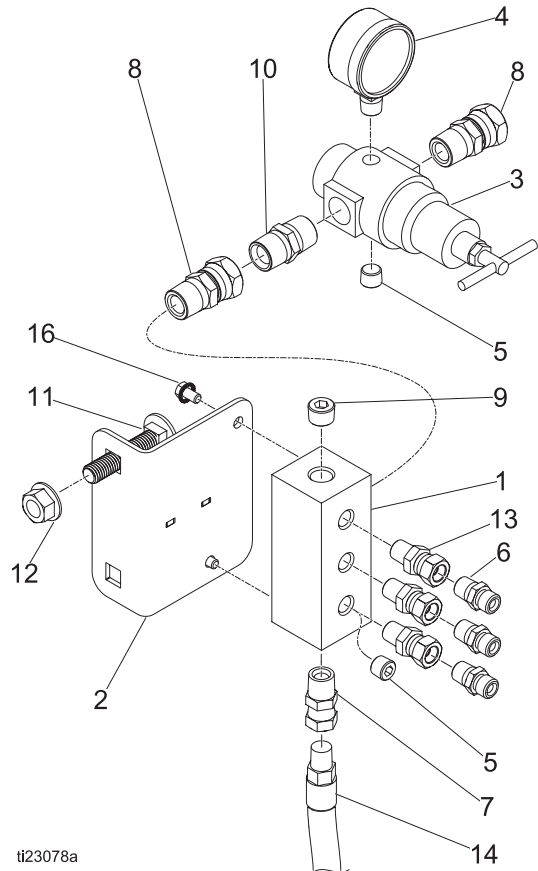


Important Safety Instructions

Read all warnings and instructions in your system manuals. Save all instructions.

Parts

Ref.	Part	Description	Qty
			.
1	16W953	MANIFOLD, air	1
2	16W935	BRACKET, manifold, air	1
3	104266	REGULATOR, air w psi 250	1
4	100960	GAUGE, press air	1
5	100721	PLUG, pipe	2
6	162453	FITTING, 1/4 npsm x 1/4 npt	3
7	110476	ADAPTER, union, straight swivel	1
8	156684	FITTING, union, adapter	2
9	101754	PLUG, pipe	1
10	158491	FITTING, nipple	1
11	127276	BOLT, carriage, 1/2-13 x 2.5 l	1
12	112731	NUT, hex, flanged	1
13	156823	FITTING, union, swivel	3
14	109124	HOSE, coupled, 48 in.	1
16	119865	SCREW, mach, hex serrated	2



ti23078a

Installation

1. Assemble parts shown on page 1.
2. Configure fittings based on left or right mounting configuration. Male and female fittings are supplied to fit male and female output air hoses (not supplied). Apply thread sealant to all non-swiveling pipe threads.

Note: Use plug (5) if agitator is not used.

3. Mount air manifold kit on left or right side of system.

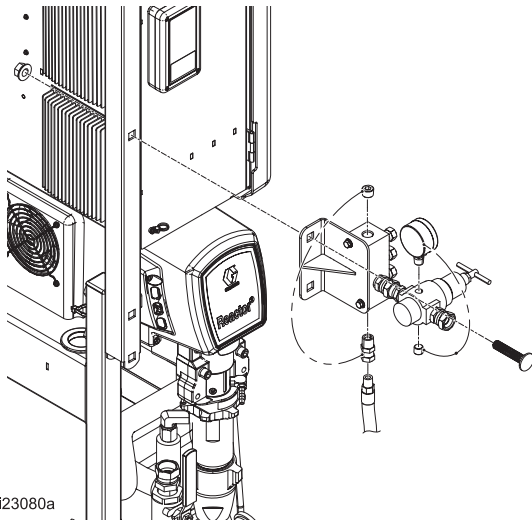


FIG. 1: Left Side

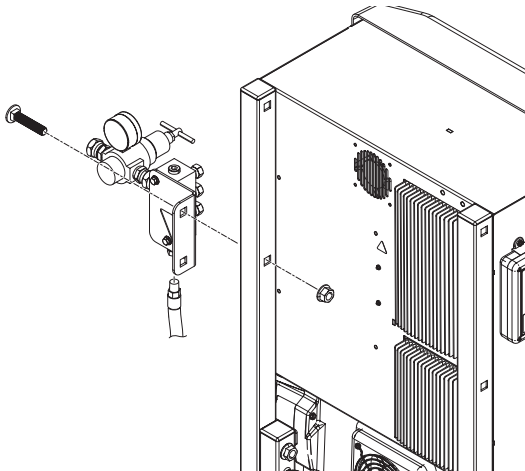
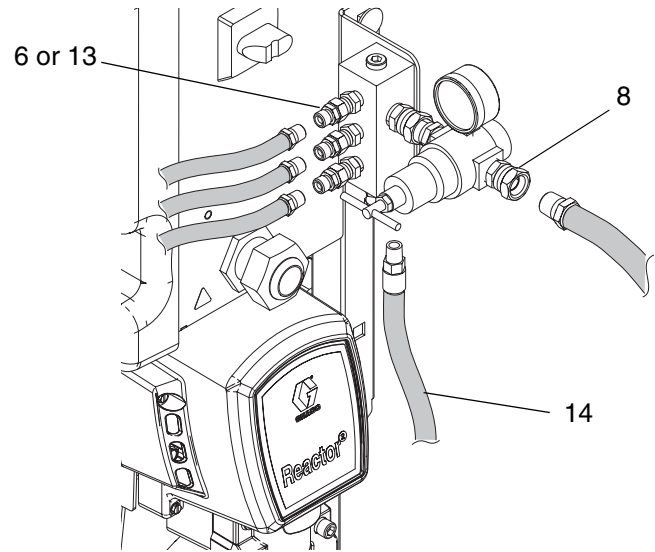


FIG. 2: Right Side

4. Connect feed pump and agitator air lines to manifold fittings (6 or 13).



ti23081a

FIG. 3: Air Connections

5. Connect hose (14) to gun air hose fitting on manifold and air hose in heated hose.
6. Connect main air supply (not supplied) to fitting (8).

Note: Use 1/2 in. minimum ID hose to avoid restricted air flow.

All written and visual data contained in this document reflects the latest product information available at the time of publication. Graco reserves the right to make changes at any time without notice.

For patent information, see www.graco.com/patents.

Original instructions. This manual contains English. MM 332735

Graco Headquarters: Minneapolis

International Offices: Belgium, China, Japan, Korea

GRACO INC. AND SUBSIDIARIES • P.O. BOX 1441 • MINNEAPOLIS MN 55440-1441 • USA

Copyright 2014, Graco Inc. All Graco manufacturing locations are registered to ISO 9001.

www.graco.com

Revision B, March 2014