

# Instructions

## AquaMax 2330E, 2335E Pressure Washer



GRACO

**3A1490A**

ENG, DEU, FRA, NLD, ITA, NOR,  
SWE, DNK, FIN, ESP, PRT, GRC,  
TUR, CZE, POL, HUN, ROU,  
RUS, EST, LVA, LTU, JPN

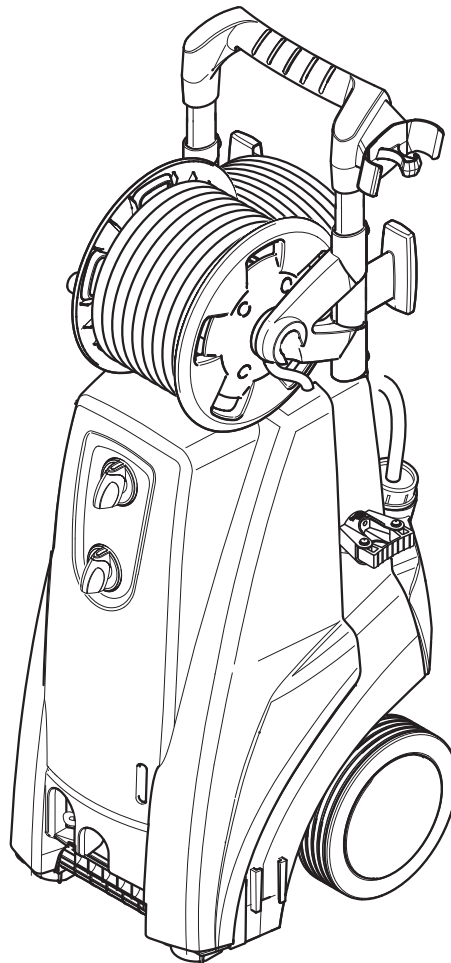
**-For high pressure water cleaning-**



### IMPORTANT SAFETY INSTRUCTIONS

Read all warnings and instructions in this manual.  
SAVE THESE INSTRUCTIONS.

Model	Number	Maximum Working Pressure			Voltage
		PSI	MPa	bar	
AquaMax 2330E	287428	2320	16	160	230V
AquaMax 2335E	287429	2320	16	160	400V



PROVEN QUALITY. LEADING TECHNOLOGY.

English.....	3
Deutsch .....	20
Français.....	37
Nederlands.....	54
Italiano.....	71
Norsk .....	88
Svenska.....	105
Dansk.....	122
Suomi.....	139
Español.....	156
Português.....	173
Ελληνικά.....	190
Türkçe.....	207
Čeština.....	224
Polski.....	241
Magyar.....	258
Română.....	275
Русский.....	292
Eesti.....	307
Latviski.....	324
Lietuviškai.....	341
日本.....	358



# Contents

<b>1</b>	<b>Important safety instructions</b> .....	<b>4</b>
	<i>Symbols used to mark instructions</i> .....	4
	<i>Warnings</i> .....	4
<b>2</b>	<b>Introduction</b> .....	<b>6</b>
	<i>Operating elements and accessories</i> .....	6
	<i>Instructions for use</i> .....	7
	<i>Purpose and intended use</i> .....	7
	<i>Further support</i> .....	7
	<i>Before use</i> .....	7
<b>3</b>	<b>Before starting the cleaner</b> .....	<b>8</b>
	<i>Assembling the cleaner</i> .....	8
	<i>Connecting the high pressure hose</i> .....	8
	<i>BA valve</i> .....	9
	<i>Installation guide</i> .....	9
	<i>Maintenance</i> .....	9
	<i>Connecting the water supply</i> .....	10
	<i>Electrical connection</i> .....	10
	<i>Extension lead</i> .....	10
<b>4</b>	<b>Control / Operation</b> .....	<b>11</b>
	<i>Connecting the spray lance to the spray gun</i> .....	11
	<i>Switching on the cleaner when it is connected to a water supply</i> .....	11
	<i>Switching on the cleaner when it is connected to open tanks (suction mode)</i> .....	11
	<i>Pressure regulation (Powerspeed Vario Plus)</i> .....	12
	<i>Pressure regulation with the FlexoPower Plus nozzle</i> .....	12
	<i>Using cleaning agents</i> .....	12
<b>5</b>	<b>Applications and methods</b> .....	<b>13</b>
	<i>Techniques</i> .....	13
	<i>Soaking</i> .....	13
	<i>Detergent and Foam</i> .....	13
	<i>Temperature</i> .....	13
	<i>Mechanical Effect</i> .....	13
	<i>High Water Flow or High Pressure</i> .....	13
<b>6</b>	<b>After using the cleaner</b> .....	<b>14</b>
	<i>Switching off the cleaner</i> .....	14
	<i>Rolling up the electrical cord and storing accessories</i> .....	14
	<i>Storing the cleaner</i> .....	14
	<i>Storing the cleaner (below 0°C)</i> .....	14
<b>7</b>	<b>Troubleshooting</b> .....	<b>15</b>
<b>8</b>	<b>Further information</b> .....	<b>16</b>
	<i>Transport</i> .....	16
	<i>Repair and maintenance</i> .....	16
	<i>Recycling the cleaner</i> .....	16
	<i>Guarantee</i> .....	16
	<i>EU Declaration of Conformity</i> .....	17
	<i>Specifications</i> .....	18
	<i>Graco Standard Warranty</i> .....	19

# 1 Important safety instructions

## Symbols used to mark instructions

### DANGER

Danger that leads directly to serious or irreversible injuries, or even death.

### WARNING

Danger that can lead to serious injuries or even death.

### CAUTION

Danger that can lead to minor injuries and damage.

## Warnings

### WARNING

- Do not use any unsafe work techniques.
- No changes to the mechanical, electrical or thermal safety devices must be made.
- This appliance is not to be used by children or persons with reduced physical, sensory or mental capabilities, or lack of experience and knowledge, unless they have been given supervision or instruction.
- This machine shall only be used with cleaning chemicals supplied or recommended by your dealer. The use of other cleaning chemicals may adversely affect the safety of the machine.
- Risk of explosion – Do not use the cleaner to spray with flammable liquids.



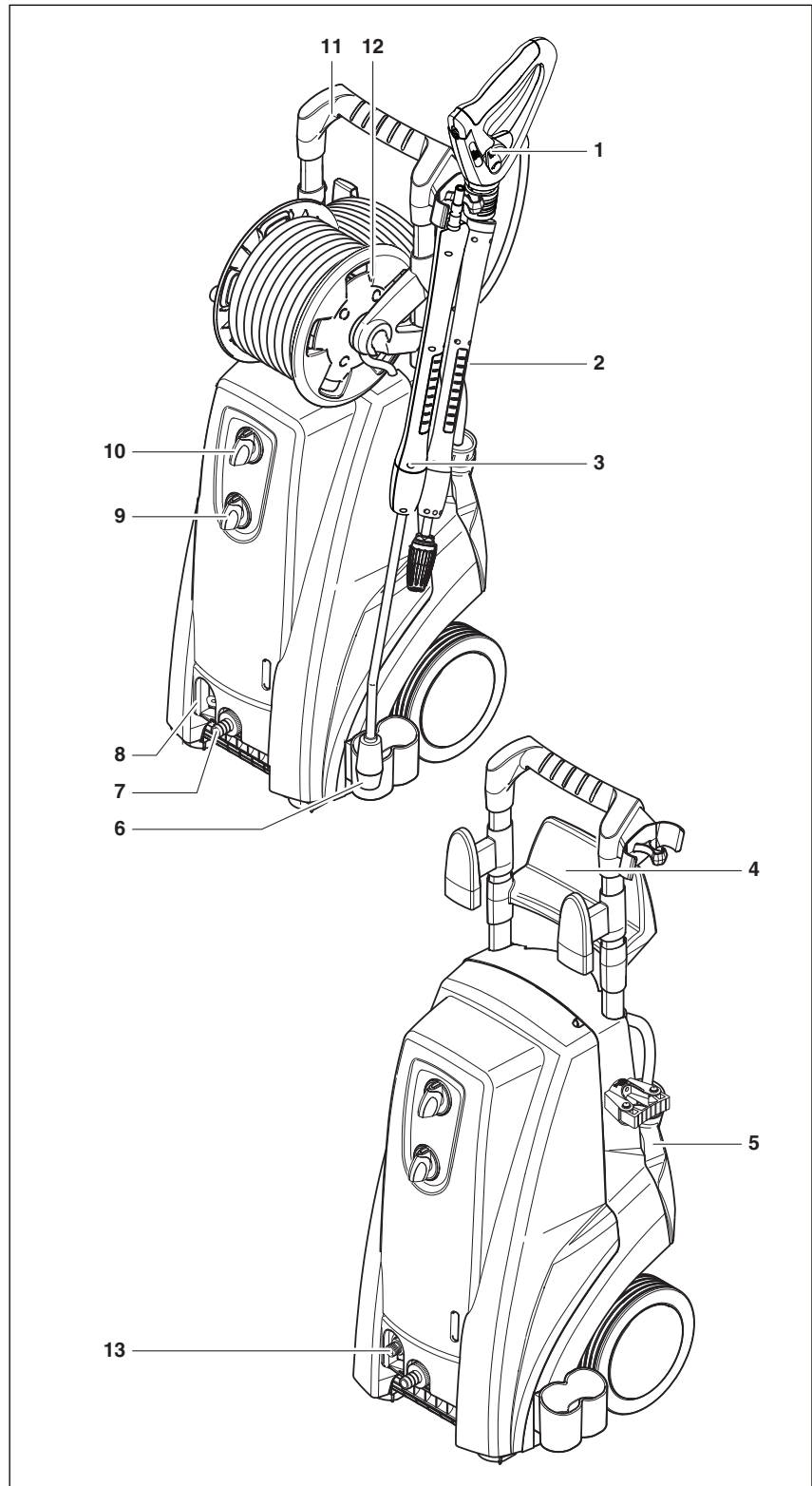
### CAUTION

- High pressure jets can be dangerous. Never direct the water jet at persons, pets, live electrical equipment or the machine itself.
- Never try to clean clothes or footwear on yourself or other persons.
- The operator and anyone in the immediate vicinity of the site of cleaning should take action to protect themselves from being struck by debris dislodged during operation.
- Wear goggles during operation.
- Do not cover the machine during operation.
- Never use the machine in an environment where there could be a danger of explosion. If any doubt arises, please contact the local authorities.
- It is not allowed to clean asbestos-containing surfaces with high pressure.
- This high pressure washer must not be used at temperatures below 0°C.
- Only use correct fuel as specified. Improper fuels can cause severe hazard.
- During operation of the cleaner, recoil forces are produced at the gunvalve and spray lance and, when the spray lance is held at an angle, a torque is also created. The gunvalve and spray lance must therefore be held firmly in both hands.
- Check that cleaning will not result in dangerous substances (e.g. asbestos, oil) being washed off the object to be cleaned and harming the environment.
- Do not clean delicate parts made of rubber, fabric, etc. with the 0° jet. Keep some distance between high pressure nozzle and surface in order to prevent the surface from damage.
- Never operate the cleaner without water. Even brief shortages of water result in severe damage to the pump seals.
- Do not use any unsafe work techniques.
- Do not tie the trigger handle open.

## 2 Introduction

### Operating elements and accessories

- |  |                                   |
|--|-----------------------------------|
| 1. Spray gun                                       | 8. Water supply to hose reel      |
| 2. Mains power lead                                | 9. Main switch                    |
| 3. Spray lance                                     | 10. Detergent metering knob       |
| 4. Cable hook for electrical lead                  | 11. Handle                        |
| 5. Detergent tank                                  | 12. Hose reel <sup>1)</sup>       |
| 6. Holder for spray lances                         | 13. High pressure hose connection |
| 7. Supply water connection with water inlet filter |                                   |



**Instructions for use**

Prior to using the appliance for the first time, be sure to read this document through and keep it ready to hand.

Besides the operating instructions and the binding accident prevention regulations valid in the country of use, observe recognised regulations for safety and proper use.

**Purpose and intended use**

This high-pressure cleaner has been designed for professional use. It can be used for cleaning agricultural and construction equipment, stables, vehicles, rusty surfaces, etc.

The cleaner has not been approved for cleaning surfaces which comes into contact with food.

Any other use is considered as improper use. The manufacturer accepts no liability for any damage resulting from such use. The risk for such use is borne solely by the user. Proper use also includes proper operation, servicing and repairs as specified by the manufacturer.

**Further support**

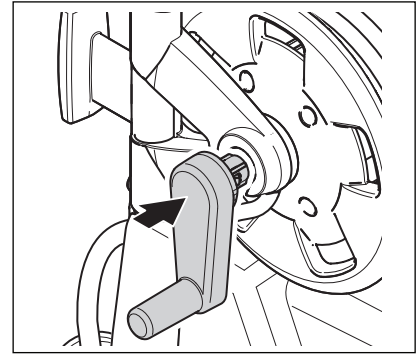
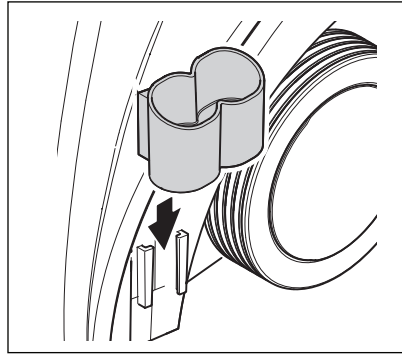
For further queries, please contact the GRACO service representative responsible for your country.

**Before use**

Before starting up your machine, please check it carefully for any defects. If you find any, do not start up your machine.

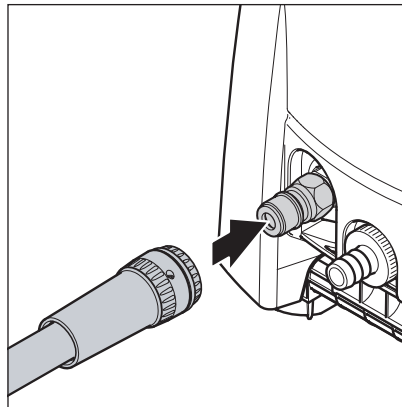
# 3 Before starting the cleaner

## Assembling the cleaner

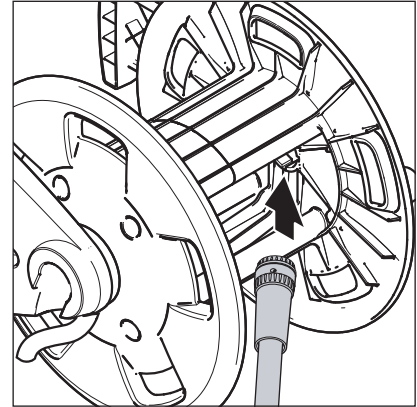


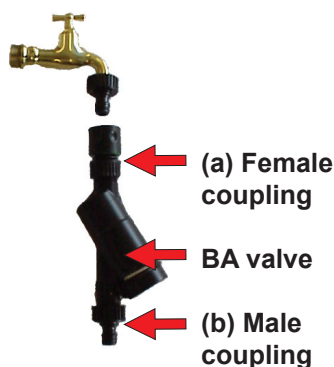
## Connecting the high pressure hose


Machines without high pressure hose reel.



Machines with high pressure hose reel.



**BA valve**

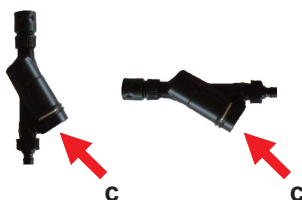
 This high pressure washer/cleaner is only allowed to be connected with the drinking water mains, when an appropriate backflow preventer has been installed, Type BA according to EN 1717.

The BA valve can be ordered under number:

- BA valve including GARDENA couplings: 106411177
- BA valve including NITO couplings: 106411178
- BA valve including GEKA couplings: 106411179
- BA valve without couplings: 106411184

The couplings can be ordered under number:

- 3/4" GARDENA (a): 32541
- 3/4" GARDENA (b): 1608629
- 3/4" NITO (a): 1602945
- 3/4" NITO (b): 1600659
- 1/2" NITO (b): 1604669
- 3/4" GEKA (a): 1718
- 3/4" GEKA (b): 1311

**Installation guide**

1. Mount a male coupling on the water tap.
2. Connect (a) on the BA valve to the water tap.
3. Mount a female coupling on the water inlet hose.
4. Connect (b) on the BA valve to the water inlet hose.
5. Connect the water inlet hose to the high pressure washer.
6. Turn on the water and start the machine.

**CAUTION**

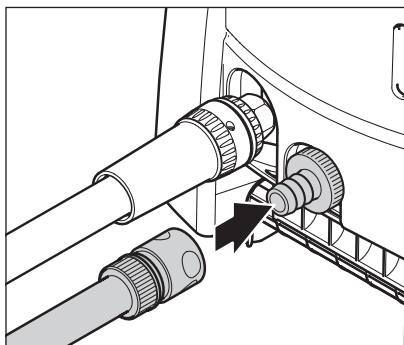
- The backflow preventer can be mounted either vertically or horizontally, and the drain opening (c) must be mounted pointing downwards.
- Water flowing from the drain opening (c) must be able to flow freely.
- If there is a risk of running sands in the inlet water (i.e. from your own well), an additional filter should be mounted between the water tap and backflow preventer.
- The length of the hose between the backflow preventer and the high pressure washer must be at least 12 metres (min diameter 3/4 inch) to absorb possible pressure peaks.
- As soon as water has flown through the BA valve, this water is not considered to be drinking water any more.
- Protect the backflow preventer to any exposure to frost.
- Keep the backflow preventer clean, and free of dirt.

**Maintenance**

At least once a year, check the function as follows:

1. After work, switch off the high pressure cleaner.
2. Close the water tap valve.
3. Release the pressure in water the supply hose by triggering the spray pistol.
4. Dismount the backflow preventer. Water has to come out of the drain opening (c) (max. 100ml) to ensure separation of the potable water.
5. If this is not the case, try cleaning the BA valve or contact your GRACO representative.

## Connecting the water supply



1. Rinse the water supply hose briefly in order to prevent sand and other dirt particles entering into the machine.
2. Connect water supply hose to the machine.
3. Open water tap.

### CAUTION

- In the case of poor water quality (sand, etc.), we recommend that a fine water filter is fitted in the water inlet.
- We recommend the use of a textile-reinforced water hose with a nominal diameter of min. 3/4" (19 mm).

## Electrical connection



Before connecting devices with voltage changeover<sup>1)</sup>: Check that the pre-selected voltage on the machine corresponds with the voltage of the electrical installation.

### CAUTION

- Only connect the machine to an installation with earth connection.
- The electric installation shall be made by a certified electrician.
- According to IEC 60364-1 it is strongly recommended that the electric supply to this machine should include a residual current device (GFCI).
- Do not damage the power cord (e.g. by driving over it, pulling or crushing it).
- Disconnect the power cord by grasping the plug only (do not pull or tug the power cord).

## Extension lead

As an extension lead, only use the version specified by the manufacturer or one of a higher quality.

When using an extension lead, check the minimum cross-sections of the cable:

Cable length	Cross section	
	< 16 A	< 25 A
up to 20 m	1.5 mm <sup>2</sup>	2.5 mm <sup>2</sup>
20 to 50 m	2.5 mm <sup>2</sup>	4.0 mm <sup>2</sup>

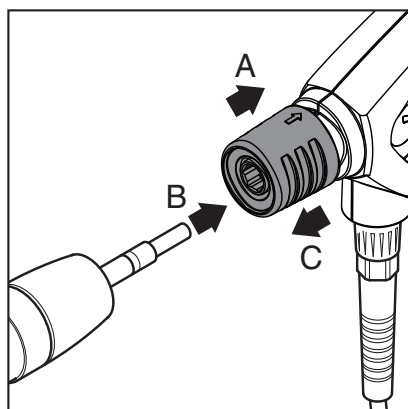
### CAUTION

- When using cable reels: Due to the risk of overheating and fire, always unwind the power supply cord fully.
- Cable connections should be kept dry and off the ground.



## 4 Control / Operation

Connecting the spray lance to the spray gun

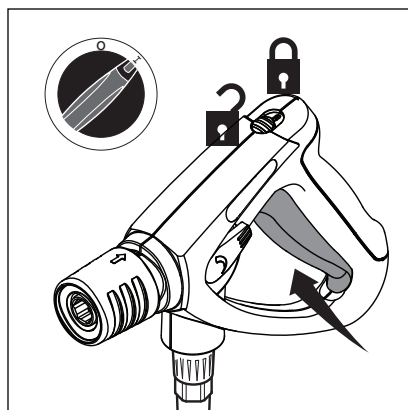


1. Pull the blue quick-release grip (A) of the spray gun backwards.
2. Insert the nipple of the spray lance (B) into the quick-release connection and release it (C).
3. Pull the spray lance (or other accessory) forwards to check that it is securely attached to the spray gun.

### CAUTION

Always remove any dirt from the nipple before connecting the spray lance to the spray gun.

Switching on the cleaner when it is connected to a water supply

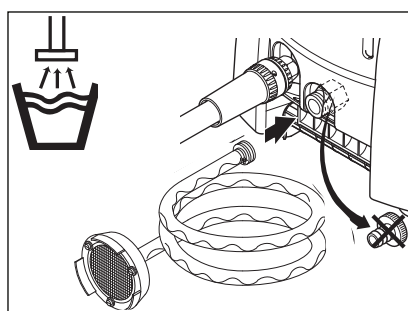


1. Main switch  
Turn the switch to position „I“.
2. Unlock the spray gun and operate it.
3. Lock the spray gun even during short pauses.

### CAUTION

Operate the spray gun several times at short intervals to vent the system.

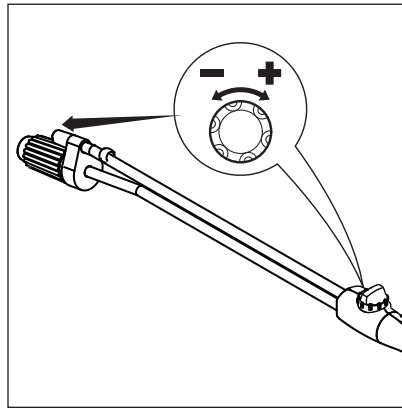
Switching on the cleaner when it is connected to open tanks (suction mode)



1. Before connecting the suction hose to the cleaner, fill the hose with water.
2. Main switch. Turn the switch to position „I“.
3. Unlock the spray gun and operate it.

Max. suction height (primed) = 1m.

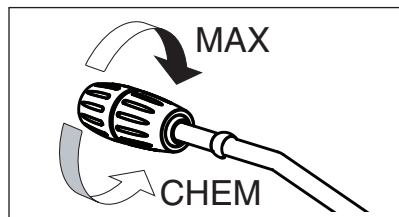
### Pressure regulation (Powerspeed Vario Plus)



Turn the twist grip on the spray unit:

- High pressure = clockwise (+)
- Low pressure = anticlockwise (-)

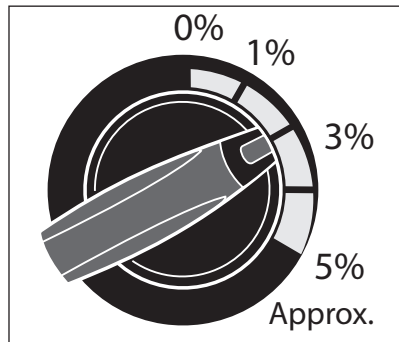
### Pressure regulation with the FlexoPower Plus nozzle



Twist cap of the FlexoPower Plus nozzle:

- High pressure = MAX.
- Low pressure = MIN.(CHEM)

### Using cleaning agents



via the injector installed as stand-ard only in low-pressure mode:

1. Dilute cleaning agent according to the manufacturer's instructions.
2. Set pressure regulation to low pressure.
3. The intaken volume of cleaning agent can be regulated by turning the metering valve.
4. Turn main switch to position „I“.
5. Operate the spray gun.

Cleaning agent can be drawn in

#### CAUTION

Never allow cleaning agent to dry on the surface to be cleaned. The surface may be damaged.

# 5 Applications and methods

## Techniques

Efficient high pressure cleaning is achieved by following a few guidelines, combined with your own personal experience of specific cleaning tasks. Accessories and detergents, when correctly chosen, can increase the efficiency of your pressure washer. Here is some basic information about cleaning.

## Soaking

Encrusted or thick layers of dirt can be loosened or softened up by a period of soaking. This is for example an ideal method within agriculture – for example, within pig sties. The ideal soaking method can be achieved via use of foam or simple alkaline detergent. Let the product lie on the dirty surfaces for around 30 minutes before pressure washing. The result will be a much quicker high pressure cleaning process.

## Detergent and Foam

Foam or detergent should be applied onto dry surfaces so that the chemical product is in direct contact with the dirt. Detergents are applied from bottom to top, for example on a car bodywork, in order to avoid “super clean” areas, where the detergent collects in higher concentration and streams downwards. Let the detergent work for several minutes before rinsing but never let it dry on the surface being cleaned.

## Temperature

Detergents are more effective at higher temperatures. Greases, oils and fats can be broken down more easily at higher temperatures also. Proteins can be cleaned at temperatures of around 60°C. Oils, traffic film around 70°C, and grease can be cleaned at 80°C - 90° C.

## Mechanical Effect

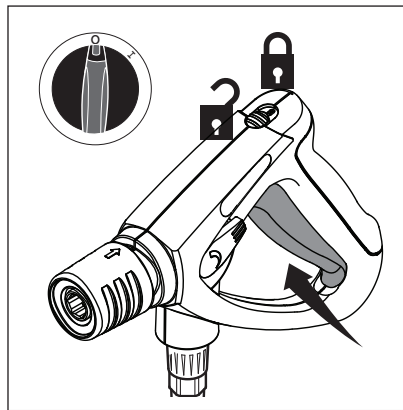
In order to break down tough layers of dirt, additional mechanical effect may be required. Special lances and rotary or wash brushes offer this supplementary effect that cuts through dirt.

## High Water Flow or High Pressure

High pressure is not always the best solution and high pressure may damage surfaces. The cleaning effect also depends upon water flow. Pressure levels of around 100 bar may be sufficient for vehicle cleaning (in association with hot water). Higher flow levels give the possibility to rinse and flush away large amounts of dirt easily.

## 6 After using the cleaner

### Switching off the cleaner



1. Turn the main switch to position „OFF“.
2. Close water tap.
3. Squeeze the spray gun handle until the cleaner is de-pressurised.
4. Lock the safety catch on the spray gun.

### Rolling up the electrical cord and storing accessories

1. Wind up the cord
2. Wind up the high pressure hose.
3. Place the spray lance into the spray lance storage.

#### CAUTION

Risk of tripping. To prevent accidents, always carefully roll up the electrical cord and hose.

### Storing the cleaner

Store the appliance in a dry place, protected from frost.

### Storing the cleaner (below 0°C)

If the high-pressure cleaner is stored in a room with temperatures around or below 0°C, anti-freeze should be drawn into the pump beforehand:

1. Remove the water inlet hose from the cleaner.
2. Remove the spray lance.
3. Switch on the cleaner with the main switch in position „I“ and activate trigger on the spray gun.
4. Connect a short suction hose to the water inlet of the cleaner and place the other end in a tank containing anti-freeze.
5. Switch on the cleaner with the main switch in position „I“.
6. Hold the spray gun over the tank containing anti-freeze and operate it to start suction.
7. During suction operate the spray gun two or three times.
8. Lift the suction hose from the tank containing anti-freeze and operate the spray gun to pump off the remaining antifreeze.
9. Switch off the cleaner.

#### CAUTION

- To avoid any risks, store the cleaner temporarily in a heated room before using it again.
- Never start-up a frozen machine.

# 7 Troubleshooting

Fault	Cause	Remedy
Pressure drop	<ul style="list-style-type: none"> <li>• Air in the system</li> <li>• High pressure nozzle blocked worn</li> <li>• Detergent tank empty</li> </ul>	<ul style="list-style-type: none"> <li>• Vent the system by operating the spray gun several times at short intervals. If necessary, operate the cleaner for a short time without the high-pressure hose connected.</li> <li>• Clean/replace the high pressure nozzle</li> <li>• Top up detergent tank or set detergent metering to "0"</li> </ul>
Pressure fluctuations	<ul style="list-style-type: none"> <li>• Pump draws in air (only possible in suction mode)</li> <li>• Lack of water</li> <li>• Water inlet hose is too long or its cross-section too small</li> <li>• Lack of water caused by blocked water filter</li> <li>• Lack of water because max. permissible suction height has not been heeded</li> </ul>	<ul style="list-style-type: none"> <li>• Check that the suction set is air-tight</li> <li>• Open water tap</li> <li>• Use specified water inlet hose</li> <li>• Clean the water filter in the water connection (never work without water filter)</li> <li>• See instructions</li> </ul>
The motor does not start when the cleaner is switched on	<ul style="list-style-type: none"> <li>• The plug is not inserted properly, i.e. there is no current</li> </ul>	<ul style="list-style-type: none"> <li>• Check the plug, lead and switch and if necessary have them replaced by a trained electrician</li> </ul>
When the cleaner is switched on the motor buzzes without starting	<ul style="list-style-type: none"> <li>• The mains fuse is switched off</li> <li>• The mains voltage is too low or there is a phase failure.</li> <li>• The pump is blocked or frozen</li> </ul>	<ul style="list-style-type: none"> <li>• Switch on the mains fuse</li> <li>• Have the electrical connection checked</li> <li>• Contact the GRACO customer service</li> </ul>
The motor switches off	<ul style="list-style-type: none"> <li>• Incorrect cross-section or length of the extension lead</li> <li>• The overload protection has been activated due to overheating or overloading of the motor</li> <li>• High-pressure nozzle is dirty</li> </ul>	<ul style="list-style-type: none"> <li>• Use lead with correct cross section or length</li> <li>• Check that the mains voltage and the cleaner voltage are the same. Switch off the cleaner and allow it to cool for at least 3 minutes</li> <li>• Change the high-pressure nozzle</li> </ul>
No detergents drawn in	<ul style="list-style-type: none"> <li>• Injector is dirty or suction hose is blocked</li> <li>• Detergent tank empty</li> <li>• The cap on the FlexoPowerJet nozzle is not set to low pressure</li> </ul>	<ul style="list-style-type: none"> <li>• Clean</li> <li>• Top up detergent tank</li> <li>• See chapter 4.</li> </ul>

## 8 Further information

### Transport

For safe transport in and on vehicles we recommend to prevent the equipment from sliding and tilting by fixing it with belts.

Transport (when tilted):

- Do not tilt the machine on the front with the water connections.
- Remove suction hose from the detergent tank and close tank filler with the cap provided with the machine.
- Before putting the cleaner into operation: pay attention to allow the pump oil to run back into the pump housing. Check oil level, top up if necessary.

For transport at temperatures around or below 0°C, anti-freeze should be drawn into the pump beforehand.

### Repair and maintenance

Always remove the electric plug from the socket before carrying out maintenance work on the machine.

### Recycling the cleaner

Make the old cleaner unusable.

1. Unplug the cleaner.
2. Cut the power cord.
3. Do not discard of electrical appliances with household waste.



As specified in European Directive 2002/96/EC on old electrical and electronic appliances, used electrical goods must be collected separately and recycled ecologically.

Contact your local authorities or dealer for further information.

### Guarantee

Our general conditions of business are applicable with regard to the guarantee.

Unauthorised modifications to the appliance, the use of incorrect accessories, spare parts and cleaning chemicals in addition to using the appliance in a way other than for the intended purpose exempt the manufacturer from any liability for the resulting damage.

## EU Declaration of Conformity



# EC-DECLARATION OF CONFORMITY

EG-VERKLARING VAN OVEREENSTEMMING, DÉCLARATION DE CONFORMITÉ CE, EG-KONFORMITÄTSEKTLÄRUNG, DICHIARAZIONE DI CONFORMITÀ CE, EF-OVERENSSTEMMELSESEKTLÆRING, ΕΚ-ΔΗΛΩΣΗ ΣΥΜΜΟΡΦΩΣΗΣ, DECLARAÇÃO DE CONFORMIDADE - CE, DECLARACIÓN DE CONFORMIDAD DE LA CE, EY-VAATIMUSTENMUKAISUUSVAKUUTUS, EG-DEKLARATION OM ÖVERENSSTÄMMELSE, ES PROHLÁŠENÍ O SHODĚ, EÜ VASTAVUSDEKLARATSIOON, EC MEGFEJELŐSÉGI NYILATKOZAT, EK ATBILSTĪBAS DEKLARĀCIJA, ES ATITIKTIES DEKLARACIJA, DEKLARACJA ZGODNOŚCI UE, DIKJARAZZJONI-KE TA' KONFORMITA', IZJAVA ES O SKLADNOSTI, ES - VYHLÁŠENIE O ZHODE, EO-ДЕКЛАРАЦИЯ ЗА СЪВМЕСТИМОСТ, DEIMHNIÚ COMHRÉIREACHTA CE, CE-DECLARAȚIE DE CONFORMITATE

## Model

AquaMax 2330E, 2335E

Modèle, Modell, Modello, Μοντέλο,  
Modelo, Malli, Mudel, Modelis, Mudell, Модел, Samhail

## Part

287428, 287429

Bestelnr., Type, Teil, Codice, Del, Μέρος, Peça,  
Referencia, Osa, Součást, Részegység, Daja, Dalis,  
Część, Taqsim, Čast, Част, Part, Parte

## Complies With The EC Directives:

Voldoet aan de EG-richtlijnen, Conforme aux directives CE, Entspricht den EG-Richtlinien, Conforme alle direttive CE, Overholder EF-direktiverne, Σύμφωνα με τις Οδηγίες της ΕΚ, Em conformidade com as Directivas CE, Cumple las directivas de la CE, Täyttää EY-direktiivien vaatimukset, Uppfyller EG-direktiven, Shoda se směrnicemi ES, Vastab EÜ direktiividele, Kielegítii az EK irányelvek követelményeit, Atbilst EK direktivām, Atitinka šias ES direktyvas, Zgodnošč z Dyrektywami UE, Konformi mad-Direttivi tal-KE, V skladu z direktivami ES, Je v súlade so smernicami ES, Съвместимост с Директиви на ЕО, Tá ag teacht le Treoracha an CE, Respectá directivele CE

2006/42/EC Machine Directive

2006/95/EC Low Voltage Directive

2004/108/EC EMC Directive

## Standards Used:

Gebruikte maatstaven, Normes respectées, Verwendete Normen, Norme applicate, Anvendte standarder, Πρότυπα που χρησιμοποιήθηκαν, Normas utilizadas, Normas aplicadas, Sovellettavat standardit, Tillämpade standarder, Použité normy, Rakendatud standardid, Alkalmazott szabványok, Izmantotie standarti, Taikyti standartai, Użyte normy, Standards Uzati, Uporabljeni standardi, Použité normy, Използвани стандарти, Caidheáin arna n-úsáid, Standarde utilizate

EN 12100, EN 60335-2-79, EN 55014-1, EN 55014-2, EN 61000-3-2, DIN EN 60335-2-79

## Notified Body for Directive

Aangemelde instantie voor richtlijn, Organisme notifié pour la directive, Benannte Stelle für diese Richtlinie, Ente certificatore della direttiva, Bemyndiget organ for direktiv, Διακοινωμένο όργανο Οδηγίας, Organismo notificado relativamente à directiva, Organismo notificado de la directiva, Direktiivien mukaisesti ilmoitettu tarkastuslaitos, Anmält organ för direktivet, Úředně oznámený orgán pro směrnici, Teavitatud asutus (direktiivi järgi), Az irányelvvvel kapcsolatban értesített testület, Pilnvarotā iestāde saskaņā ar direktīvu, Apie direktīvu Informuota institūcija, Ciało powiadomione dla Dyrektywy, Korp avzat bid-Direttiva, Priglašeni organ za direktivo, Notifikovaný orgán pre smernicu, Нотифициран орган за Директива, Comhlacht ar tugadh fógra dó, Organism notificat în conformitate cu directiva

--	--	--	--

## Approved By:

Goedgekeurd door, Approuvé par, Genehmigt von, Approvato da, Godkendt af, Έγκριση από, Aprobado por, Aprobado por, Hyväksynyt, Intygas av, Schwäilit, Kinnitanud, Jóváhagyta, Apstiprināts, Patvirtino, Zatwierdzone przez, Approvat minn, Odobril, Schválené, Одобрено от, Faofa ag, Aprobat de

Hans van Cranenbroek

Manufacturing, Engineering and Warehousing Manager

10 JANUARY 2011

### Manufactured By:

GRACO INC.  
88 - 11<sup>th</sup> Avenue N.E.  
Minneapolis, MN 55413  
USA


















### Authorized Representative:

GRACO N.V.  
Slakweidestraat 31  
3630 Maasmechelen  
BELGIUM

199382

A

## Specifications

		AquaMax 2330E	AquaMax 2335E
	V/Ph/Hz	230/1/50	400/3/50
	A	16	10
	kW	3.3	4.2
<b>I</b>	A	15	7.6
		IP X5	IP X5
	bar/MPa	160/16	160/16
	bar/MPa	200/20	200/20
	l/h	560	700
	l/h	620	760
<b>Cleaning Impact</b>	kg/Force	3.0	3.6
		0350	0475
	°C	50	50
	bar / MPa	10/1	10/1
	mm	450 x 380 x 1040	450 x 380 x 1040
	kg	40.4	40.4
 <b>EN 60704-1</b>	dB(A)	74.6	75
 <b>L<sub>WA</sub></b>	dB(A)	87.9	90
<b>Vibration ISO 5349</b>	m/s <sup>2</sup>	< 2.5	< 2.5
<b>Recoil forces</b>	N	28	35
	l	0.225	0.225
 <b>TYPE</b>	Agip Rotra 80W-90		



## Graco Standard Warranty

Graco warrants all equipment referenced in this document which is manufactured by Graco and bearing its name to be free from defects in material and workmanship on the date of sale to the original purchaser for use. With the exception of any special, extended, or limited warranty published by Graco, Graco will, for a period of twelve months from the date of sale, repair or replace any part of the equipment determined by Graco to be defective. This warranty applies only when the equipment is installed, operated and maintained in accordance with Graco's written recommendations.

This warranty does not cover, and Graco shall not be liable for general wear and tear, or any malfunction, damage or wear caused by faulty installation, misapplication, abrasion, corrosion, inadequate or improper maintenance, negligence, accident, tampering, or substitution of non-Graco component parts. Nor shall Graco be liable for malfunction, damage or wear caused by the incompatibility of Graco equipment with structures, accessories, equipment or materials not supplied by Graco, or the improper design, manufacture, installation, operation or maintenance of structures, accessories, equipment or materials not supplied by Graco.

This warranty is conditioned upon the prepaid return of the equipment claimed to be defective to an authorized Graco distributor for verification of the claimed defect. If the claimed defect is verified, Graco will repair or replace free of charge any defective parts. The equipment will be returned to the original purchaser transportation prepaid. If inspection of the equipment does not disclose any defect in material or workmanship, repairs will be made at a reasonable charge, which charges may include the costs of parts, labor, and transportation.

THIS WARRANTY IS EXCLUSIVE, AND IS IN LIEU OF ANY OTHER WARRANTIES, EXPRESS OR IMPLIED, INCLUDING BUT NOT LIMITED TO WARRANTY OF MERCHANTABILITY OR WARRANTY OF FITNESS FOR A PARTICULAR PURPOSE.

Graco's sole obligation and buyer's sole remedy for any breach of warranty shall be as set forth above. The buyer agrees that no other remedy (including, but not limited to, incidental or consequential damages for lost profits, lost sales, injury to person or property, or any other incidental or consequential loss) shall be available. Any action for breach of warranty must be brought within two (2) years of the date of sale.

GRACO MAKES NO WARRANTY, AND DISCLAIMS ALL IMPLIED WARRANTIES OF MERCHANTABILITY AND FITNESS FOR A PARTICULAR PURPOSE, IN CONNECTION WITH ACCESSORIES, EQUIPMENT, MATERIALS OR COMPONENTS SOLD BUT NOT MANUFACTURED BY GRACO.

These items sold, but not manufactured by Graco (such as electric motors, switches, hose, etc.), are subject to the warranty, if any, of their manufacturer. Graco will provide purchaser with reasonable assistance in making any claim for breach of these warranties.

In no event will Graco be liable for indirect, incidental, special or consequential damages resulting from Graco supplying equipment hereunder, or the furnishing, performance, or use of any products or other goods sold hereto, whether due to a breach of contract, breach of warranty, the negligence of Graco, or otherwise.

**Graco reserves the right to make changes at any time without notice.**

**Original instructions. This manual contains English. MM 3A1490**

**Graco Headquarters: Minneapolis**

**International Offices: Belgium, China, Japan, Korea**

**GRACO INC. P.O. BOX 1441 MINNEAPOLIS, MN 55440-1441**

**[www.graco.com](http://www.graco.com)**

# Inhalt

<b>1</b>	<b>Wichtige Sicherheitshinweise.....</b>	<b>21</b>
	<i>Kennzeichnung der Sicherheitshinweise .....</i>	21
	<i>Warnungen .....</i>	21
<b>2</b>	<b>Beschreibung .....</b>	<b>23</b>
	<i>Bedienelemente.....</i>	23
	<i>Betriebsanleitung .....</i>	24
	<i>Verwendungszweck des Gerätes .....</i>	24
	<i>Weitere Unterstützung .....</i>	24
	<i>Vor Inbetriebnahme .....</i>	24
<b>3</b>	<b>Vor der Inbetriebnahme .....</b>	<b>25</b>
	<i>Gerät zusammenbauen .....</i>	25
	<i>Hochdruckschlauch anschließen .....</i>	25
	<i>Wartung .....</i>	26
	<i>Wasserschlauch anschließen .....</i>	27
	<i>Elektrischer Anschluss.....</i>	27
	<i>Verlängerungsleitung.....</i>	27
<b>4</b>	<b>Bedienung / Betrieb .....</b>	<b>28</b>
	<i>Sprührohr an Spritzpistole anschließen.....</i>	28
	<i>Gerät einschalten bei Anschluss an eine Wasserleitung .....</i>	28
	<i>Gerät einschalten bei Anschluss an offene Behälter (Saugbetrieb) .....</i>	28
	<i>Druckregulierung mit der Powerspeed Vario Plus Lanze .....</i>	29
	<i>Druckregulierung an der FlexoPower Plus Düse.....</i>	29
	<i>Verwendung von Reinigungsmitteln .....</i>	29
<b>5</b>	<b>Anwendungsgebiete und Arbeitsmethoden .....</b>	<b>30</b>
	<i>Arbeitstechniken .....</i>	30
	<i>Einweichen .....</i>	30
	<i>Reinigungsmittel und Schaum aufbringen .....</i>	30
	<i>Temperatur.....</i>	30
	<i>Mechanische Einwirkung.....</i>	30
	<i>Große Wasserleistung und hoher Druck .....</i>	30
<b>6</b>	<b>Nach der Arbeit.....</b>	<b>31</b>
	<i>Gerät ausschalten.....</i>	31
	<i>Aufrollen von Anschlussleitung und Hochdruckschlauch und Verstauen von Zubehör.....</i>	31
	<i>Lagerung.....</i>	31
	<i>Aufbewahrung (frostsichere Lagerung) .....</i>	31
<b>7</b>	<b>Behebung von Störungen .....</b>	<b>32</b>
<b>8</b>	<b>Sonstiges .....</b>	<b>33</b>
	<i>Transport.....</i>	33
	<i>Reparatur und Wartung .....</i>	33
	<i>Gerät der Wiederverwertung zuführen .....</i>	33
	<i>Garantie.....</i>	33
	<i>EG-Konformitätserklärung .....</i>	34
	<i>Technische Daten .....</i>	35
	<i>Graco-Standardgarantie .....</i>	36

# 1 Wichtige Sicherheitshinweise

## Kennzeichnung der Sicherheitshinweise

### GEFAHR

Gefahr, die unmittelbar zu schweren und irreversiblen Verletzungen oder zum Tod führt.

### WARNUNG

Gefahr, die zu schweren Verletzungen oder zum Tod führen kann.

### VORSICHT

Gefahr, die zu leichten Verletzungen oder Sachschäden führen kann.

## Warnungen

### WARNUNG

- Jede sicherheitsbedenkliche Arbeitsweise unterlassen.
- Es dürfen keine Veränderungen an den mechanischen, elektrischen oder thermischen Sicherheitseinrichtungen vorgenommen werden.
- Dieses Gerät dürfen Kinder oder Personen mit verringerten physischen, sensorischen oder mentalen Fähigkeiten oder mit fehlenden Erfahrungen erst benutzen, wenn sie zuvor eingewiesen worden sind.
- Für diese Maschine dürfen nur Reinigungsmittel verwendet werden, die von GRACO empfohlen werden oder mit dieser Maschine geliefert wurden. Die Verwendung anderer Reinigungsmittel kann die Sicherheit bei der Verwendung der Maschine beeinträchtigen.
- Explosionsgefahr – Den Reiniger nicht zum Versprühen entflammbarer Flüssigkeiten verwenden.



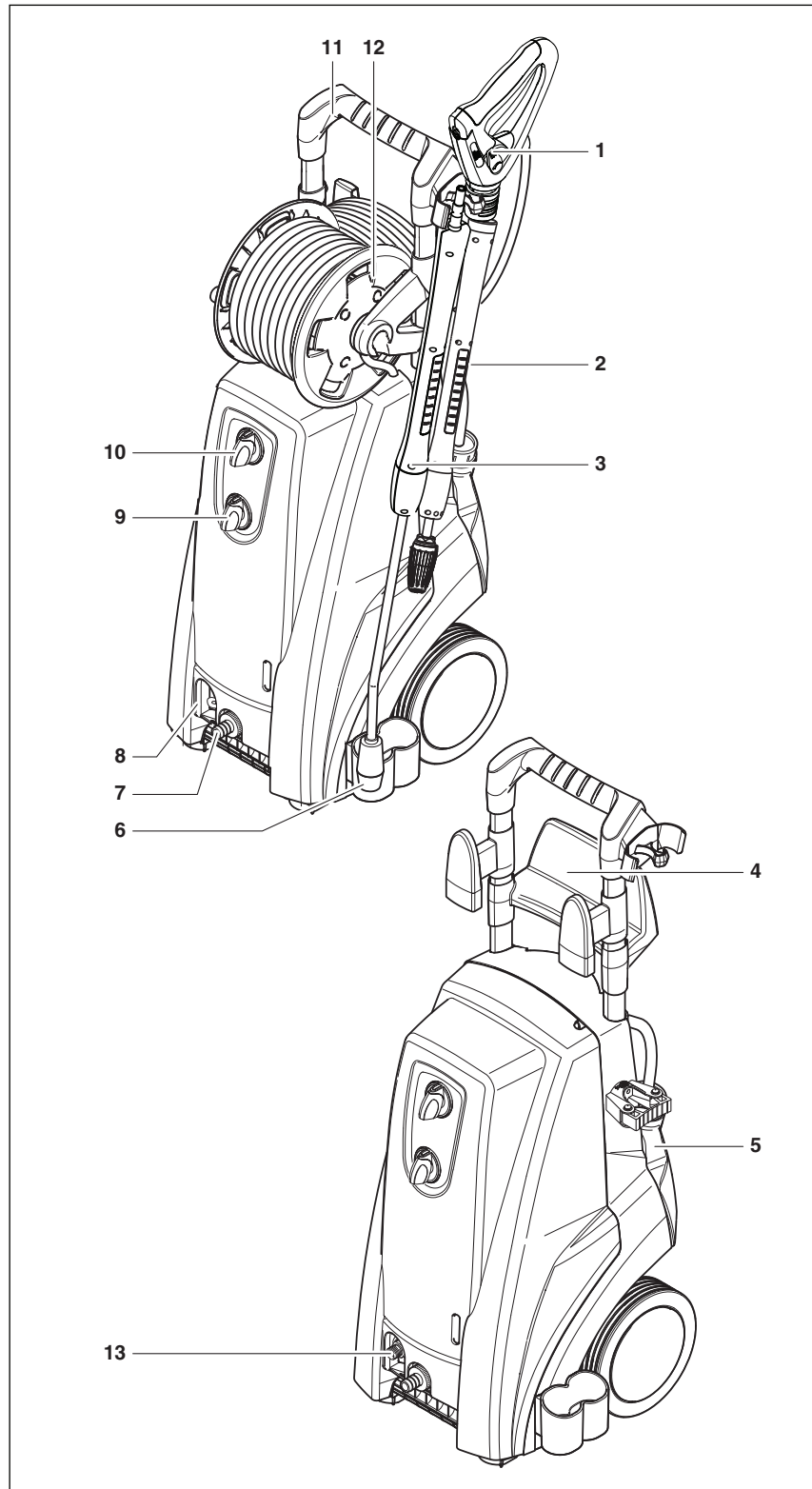
## VORSICHT

- Hochdruckreiniger können gefährlich sein. Richten Sie den Wasserstrahl niemals auf Personen, Haustiere, unter Spannung stehende Elektrogeräte oder auf die Maschine selbst.
- Versuchen Sie niemals, Kleidungsstücke oder Schuhe zu reinigen, die gerade von Ihnen oder von anderen Personen getragen werden.
- Allen Benutzern und Personen, die sich in unmittelbarer Nähe des Reinigungsplatzes befinden, wird empfohlen, sich während der Reinigungsarbeit vor aufspringenden Partikeln zu schützen.
- Tragen Sie bei der Arbeit mit dem Gerät eine Schutzbrille.
- Decken Sie die Maschine nicht zu, solange sie eingeschaltet ist.
- Verwenden Sie das Gerät niemals in einer explosionsgefährdeten Umgebung. Erkundigen Sie sich im Zweifelsfall bei den lokalen Behörden.
- Die Hochdruckreinigung asbesthaltiger Materialien ist verboten.
- Dieser Hochdruckreiniger darf bei Temperaturen von unter 0°C nicht verwendet werden.
- Nur den angegebenen Brennstoff verwenden. Falscher Brennstoff stellt eine erhebliche Gefahr dar.
- Beim Betrieb des Gerätes treten an der Spritzeinrichtung Rückstoßkräfte auf, bei abgewinkeltem Sprührohr zusätzlich ein Drehmoment, daher Spritzeinrichtung fest in beiden Händen halten.
- Das zu reinigende Objekt ist zu prüfen, ob beim Reinigen von diesem gefährliche Stoffe gelöst und an die Umwelt abgegeben werden, z.B. Asbest, Öl.
- Empfindliche Teile aus Gummi, Stoff o.ä. nicht mit dem Rundstrahl reinigen. Beim Reinigen auf genügend Abstand zwischen Hochdruckdüse und Oberfläche achten um eine Beschädigung der zu reinigenden Oberfläche zu vermeiden.
- Gerät nie ohne Wasser in Betrieb nehmen. Auch kurzzeitiger Wassermangel führt zu schwerer Beschädigung der Pumpenmanschetten.
- Jede sicherheitsbedenkliche Arbeitsweise ist zu unterlassen.
- Den Auslöser nicht festbinden.

## 2 Beschreibung

### Bedienelemente

- |   |  |
|---|--|
| 1. Spritzpistole                            | 8. Wasseranschluss für Schlauchtrommel |
| 2. Elektrische Anschlussleitung             | 9. Hauptschalter                       |
| 3. Sprührohr                                | 10. Reinigungsmittel-Dosierung         |
| 4. Halterung für Netzanschlussleitung       | 11. Schubbügel                         |
| 5. Reinigungsmittel-Tank                    | 12. Schlauchtrommel <sup>1)</sup>      |
| 6. Sprührohr-Ablage                         | 13. Hochdruckschlauch-Anschluss        |
| 7. Wasseranschluss und Wassereinflussfilter |  |



## **Betriebsanleitung**



Bevor Sie das Gerät in Betrieb nehmen, lesen Sie unbedingt die Betriebsanleitung durch und bewahren Sie diese griffbereit auf.

Das Betreiben des Gerätes unterliegt den geltenden nationalen Bestimmungen. Neben der Betriebsanleitung und den im Verwenderland geltenden verbindlichen Regelungen zur Unfallverhütung sind auch die anerkannten fachtechnischen Regeln für sicherheits- und fachgerechtes Arbeiten zu beachten.

## **Verwendungszweck des Gerätes**

Dieser Hochdruckreiniger wurde für eine professionelle Verwendung entworfen. Er kann zum Reinigen von landwirtschaftlichen Maschinen, Konstruktionsmaschinen, Ställen, Fahrzeugen, rostigen Flächen und Ähnlichem verwendet werden.

Das Gerät ist nicht für die Reinigung von Flächen, die mit Lebensmitteln in Kontakt kommen, zugelassen.

Jede darüber hinausgehende Verwendung gilt als nicht bestimmungsgemäß. Für hieraus resultierende Schäden haftet der Hersteller nicht. Zur bestimmungsgemäßen Verwendung gehört auch die Einhaltung der vom Hersteller vorgeschriebenen Betriebs-, Wartungs- und Instandhaltungsbedingungen.

## **Weitere Unterstützung**

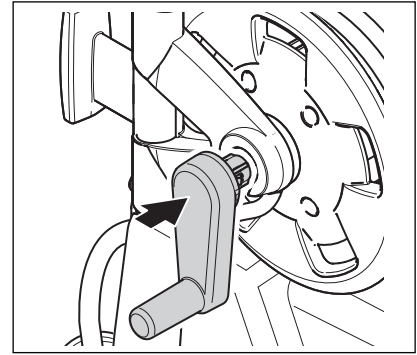
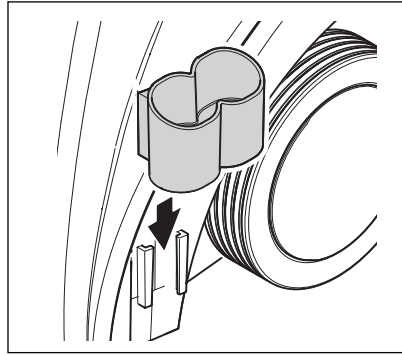
Für weitere Fragen wenden Sie sich an den für Ihr Land zuständigen GRACO-Service.

## **Vor Inbetriebnahme**

Vor der ersten Inbetriebnahme sollten Sie das Gerät sorgfältig auf eventuelle Mängel oder Schäden überprüfen. Falls Sie solche feststellen, nehmen Sie das Gerät nicht in Betrieb und kontaktieren Sie Ihren GRACO Händler.

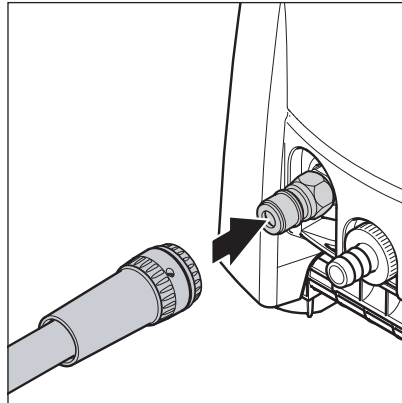
# 3 Vor der Inbetriebnahme

## Gerät zusammenbauen

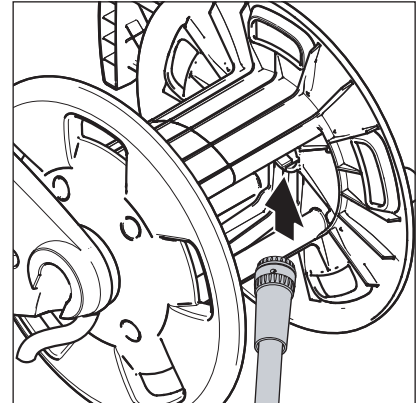


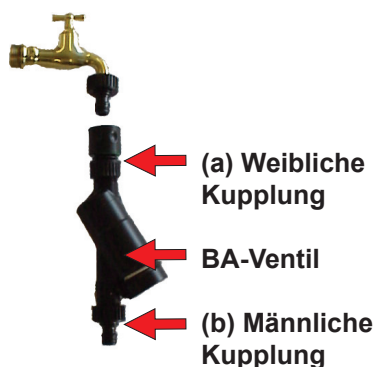
## Hochdruckschlauch anschließen

Geräte ohne Schlauchtrommel.



Geräte mit Schlauchtrommel



**BA-Ventil**

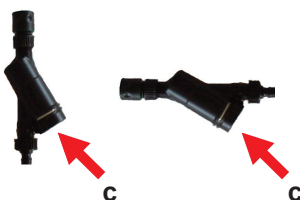
Dieser Hochdruckreiniger darf nur an einen Trinkwasseranschluss angeschlossen werden, wenn eine entsprechende Rückstausicherung des Typs BA gemäß EN 1717 installiert ist.

Das BA-Ventil kann unter folgender Nummer bestellt werden:

- BA-Ventil mit GARDENA Kupplung: 106411177
- BA-Ventil mit NITO Kupplung: 106411178
- BA-Ventil mit GEKA Kupplung: 106411179
- BA-Ventil ohne Kupplung: 106411184

Die Kupplungen können unter folgender Nummer bestellt werden:

- 3/4" GARDENA (a): 32541
- 3/4" GARDENA (b): 1608629
- 3/4" NITO (a): 1602945
- 3/4" NITO (b): 1600659
- 1/2" NITO (b): 1604669
- 3/4" GEKA (a): 1718
- 3/4" GEKA (b): 1311

**Montageanleitung**

1. Das männliche Kupplungsstück am Wasserhahn anbringen.
2. (a) am BA-Ventil zum Wasserhahn anschließen.
3. Das weibliche Kupplungsstück am Wasserzulaufschlauch anbringen.
4. (B) am BA-Ventil zum Wasserzulaufschlauch anschließen.
5. Den Wasserzulaufschlauch an den Hochdruckreiniger anschließen.
6. Wasserhahn öffnen und das Gerät starten.

**VORSICHT**

- Der Rückflussverhinderer kann entweder vertikal oder horizontal montiert werden. Die Abflussöffnung (c) muss nach unten gerichtet montiert werden.
- Das Wasser muss aus der Abflussöffnung ungehindert abfließen können.
- Wenn Gefahr von Sandablagerung durch das verwendete Wasser (z. B. bei Wasser aus dem eigenen Brunnen), muss ein zusätzlicher Filter zwischen Wasserquelle und Rückflussverhinderer montiert werden.
- Die Länge des Schlauchs zwischen der Rückstausicherung und dem Hochdruckreiniger muss mindestens 6 Meter betragen (und einen Durchmesser von mindestens 3/4" haben), um mögliche Druckspitzen auszugleichen.
- Sobald das Wasser das Dosierventil durchflossen hat, ist es kein Trinkwasser mehr.
- Den Rückflussverhinderer vor Frost schützen.
- Den Rückflussverhinderer sauber und schmutzfrei halten.

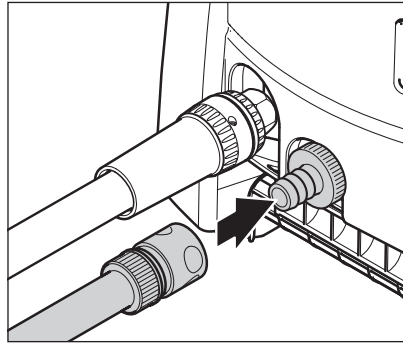
**Wartung**

Mindestens einmal pro Jahr folgende Funktionen prüfen:

1. Den Hochdruckreiniger nach dem Betrieb ausschalten.
2. Den Wasserhahn schließen.
3. Den Wasserdruck im Zulaufschlauch durch Betätigen der Sprühpistole ablassen.
4. Den Rückflussverhinderer ausbauen. Aus der Ablassöffnung (c) muss Wasser austreten (max. 100 ml), um die Trennung des Trinkwassers zu gewährleisten.
5. Ist dies nicht der Fall, das BA-Ventil reinigen oder an Ihren GRACO Ansprechpartner wenden.



## Wasserschlauch anschließen



1. Den Wasserschlauch vor dem Anschluss an das Gerät kurz mit Wasser spülen, damit Sand und andere Schmutzteilchen nicht in das Gerät gelangen können.
2. Wasserschlauch am Wasseranschluss anschließen.
3. Wasserhahn öffnen.

### VORSICHT

- Bei schlechter Wasserqualität (Schwemmsand etc.) ein Wasserfeinfilter im Wasserzulauf zu montieren.
- Zum Anschluss des Gerätes einen gewebeverstärkten Wasserschlauch mit einer Nennweite von mindestens 3/4" (19 mm) verwenden.

## Elektrischer Anschluss



Bei Geräten mit Spannungsumschaltung<sup>1)</sup> (siehe Abbildung) unbedingt darauf achten, dass die korrekte Netzspannung am Gerät eingestellt ist, bevor der Netzstecker in die Steckdose gesteckt wird.

### VORSICHT

- Schließen Sie das Gerät ausschließlich an eine geerdete Stromquelle an.
- Die Stromquelle muss von einem konzessionierten Elektriker installiert worden sein.
- Es wird ausdrücklich empfohlen, das Gerät an eine Stromversorgung mit einem Fehlerstrom-Schutzschalter (GFCI) anzuschließen.
- Netzanschlussleitung nicht beschädigen (z. B. durch Überfahren, Zerren, Quetschen).
- Netzanschlussleitung nur direkt am Stecker ausziehen (nicht durch Ziehen, Zerren an der Anschlussleitung).

## Verlängerungsleitung

Als Verlängerungsleitung nur die vom Hersteller angegebene oder eine höherwertige Ausführung verwenden.

Auf Mindestquerschnitt der Leitung achten:

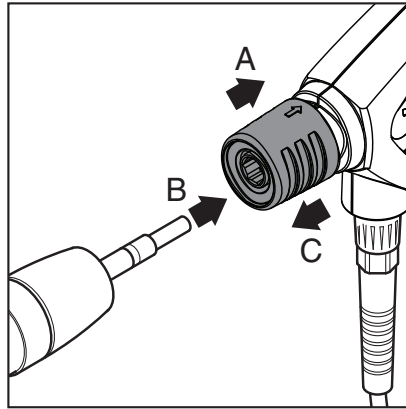
Kabellänge	Querschnitt	
	< 16 A	< 25 A
bis 20 m	1.5 mm <sup>2</sup>	2.5 mm <sup>2</sup>
20 bis 50 m	2.5 mm <sup>2</sup>	4.0 mm <sup>2</sup>

### VORSICHT

- Bei Verwendung von Kabeltrommeln: Wegen Überhitzungs- und Brandgefahr Anschlussleitung immer ganz abwickeln.
- Kabelverbindungen sollten trocken sein und dürfen nicht mit dem Boden in Berührung kommen.

## 4 Bedienung / Betrieb

### Sprührohr an Spritzpistole anschließen

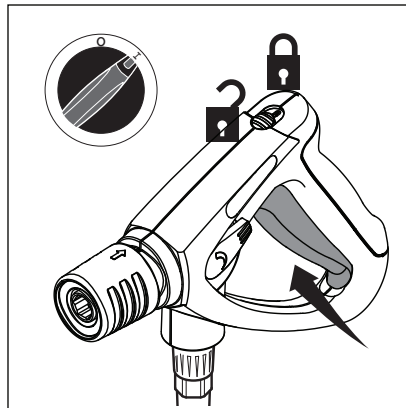


1. Den blauen Schnellkupplungsgriff (A) der Spritzpistole nach hinten ziehen.
2. Den Nippel des Sprührohrs (B) in die Schnellkupplung stecken und diese loslassen.
3. Das Sprührohr (oder den Aufsatz) nach vorne ziehen um sicherzustellen, dass es fest mit der Spritzpistole verbunden ist.

#### VORSICHT

Den Nippel immer von eventuellen Schmutzteilchen säubern, bevor das Sprührohr mit der Spritzpistole verbunden wird.

### Gerät einschalten bei Anschluss an eine Wasserleitung

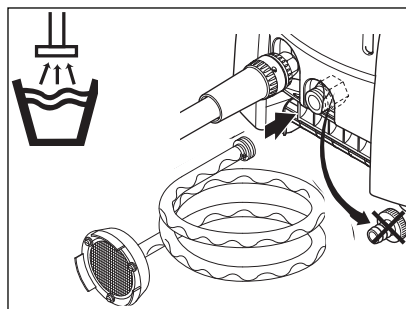


1. Hauptschalter in Stellung "I" bringen.
2. Spritzpistole entriegeln und betätigen.
3. Sicherungsriegel auch bei kurzzeitigen Arbeitsunterbrechungen einlegen.

#### VORSICHT

Zum Entlüften des Systems in kurzen Zeitabständen die Spritzpistole mehrmals betätigen.

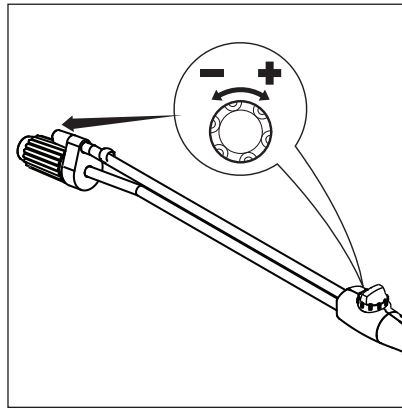
### Gerät einschalten bei Anschluss an offene Behälter (Saugbetrieb)



1. GRACO-Saugset vor dem Anschluss an das Gerät mit Wasser füllen.
2. Hauptschalter in Stellung "I" bringen.
3. Spritzpistole entriegeln und betätigen.

Max. Ansaughöhe(Befüllt) = 1m.

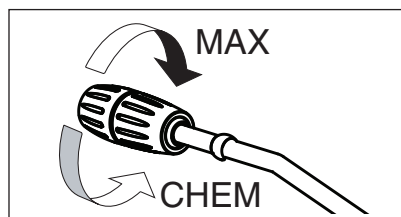
### Druckregulierung mit der Powerspeed Vario Plus Lanze



Drehknopf an der Spritzeinrichtung drehen:

- Hochdruck = im Uhrzeigersinn (+)
- Niederdruck = gegen den Uhrzeigersinn (-)

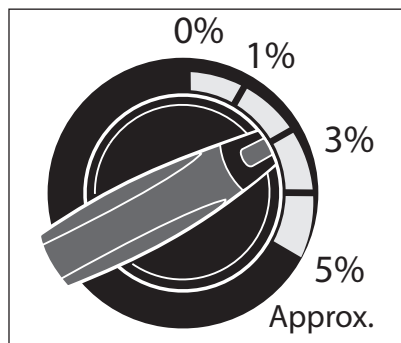
### Druckregulierung an der FlexoPower Plus Düse



Hülse der FlexoPower Plus-Düse drehen:

- Hochdruck = MAX.
- Niederdruck = MIN.(CHEM)

### Verwendung von Reinigungsmitteln



serienmäßig eingebauten Injektor angesaugt werden:

1. Reinigungsmittel nach Vorschrift des Herstellers vorverdünnen.
2. Druckregler auf niedrigen Druck einstellen.
3. Gewünschte Reinigungsmittelmenge durch Drehen am Dosierventil einstellen.
4. Hauptschalter in Stellung "I" bringen.
5. Spritzpistole betätigen.

Nur im Niederdruckbetrieb können Reinigungsmittel über den

#### VORSICHT

Reinigungsmittel dürfen nicht antrocknen. Die zu reinigende Oberfläche könnte sonst beschädigt werden.

# 5 Anwendungsgebiete und Arbeitsmethoden

## **Arbeitstechniken**

Wirkungsvolle Hochdruckreinigung wird erreicht durch Beachtung einiger weniger Richtlinien, kombiniert mit Ihren eigenen Erfahrungen in speziellen Bereichen. Zubehör und Reinigungsmittel können, wenn sie korrekt eingesetzt werden, die Reinigungswirkung verstärken. Hier finden sie einige grundsätzliche Hinweise.

## **Einweichen**

Verkrustete und dicke Schichten von Schmutz können gelöst oder aufgeweicht werden, wenn diese eine zeitlang eingeweicht werden. Eine ideale Methode insbesondere in der Landwirtschaft – zum Beispiel in Schweineställen. Die beste Wirkung wird erreicht durch Einsatz von Schaum- und alkalischen Reinigern. Oberfläche mit Reinigungsmittellösung einsprühen und 30 Minuten einwirken lassen. Danach kann wesentlich schneller mit dem Hochdruckstrahl gereinigt werden.

## **Reinigungsmittel und Schaum aufbringen**

Reinigungsmittel und Schaum sollten auf die trockene Oberfläche aufgesprüht werden damit das Reinigungsmittel ohne weitere Verdünnung mit dem Schmutz in Kontakt kommt. An senkrechten Flächen von unten nach oben arbeiten, um Schlieren zu vermeiden, wenn die Reinigungsmittellösung abläuft. Einige Minuten einwirken lassen bevor mit dem Hochdruckstrahl gereinigt wird. Reinigungsmittel nicht antrocknen lassen.

## **Temperatur**

Die Reinigungswirkung wird bei höheren Temperaturen verstärkt. Insbesondere Fette und Öle können leichter und schneller gelöst werden. Proteine können bei Temperaturen um 60°C am besten gelöst werden, Öle und Fette bei 70°C bis 90°C.

## **Mechanische Einwirkung**

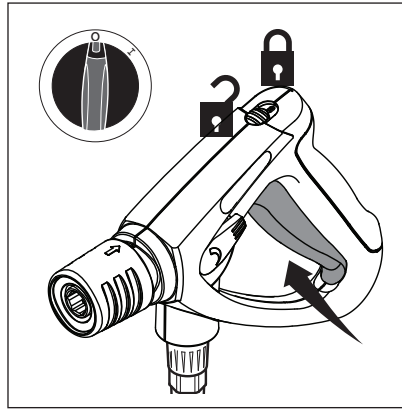
Um starke Schmutzschichten aufzulösen, wird zusätzliche mechanische Einwirkung notwendig. Spezielle Sprührohre und (rotierende) Waschbürsten bieten den besten Effekt um die Schmutzschicht zu lösen.

## **Große Wasserleistung und hoher Druck**

Hoher Druck ist nicht immer die beste Lösung und zu hoher Druck kann Oberflächen beschädigen. Die Reinigungswirkung hängt ebenso von der Wasserleistung ab. Ein Druck von 100 bar ist für die Fahrzeugreinigung ausreichend (in Verbindung mit warmem Wasser). Größere Wasserleistung ermöglicht das Spülen und den Transport des gelösten Schmutzes.

## 6 Nach der Arbeit

### Gerät ausschalten



1. Hauptschalter ausschalten, Schalter auf Stellung "OFF".
2. Wasserhahn schließen.
3. Spritzpistole betätigen, bis das Gerät drucklos ist.
4. Sicherungsriegel an der Spritzpistole einlegen.

### Aufrollen von Anschlussleitung und Hochdruckschlauch und Verstauen von Zubehör

1. Anschlussleitung aufrollen.
2. Hochdruckschlauch aufrollen.
3. Sprührohr und Zubehör in die Halterungen einlegen.

#### VORSICHT

Stolpergefahr. Zur Vermeidung von Unfällen stets das Stromkabel und den Schlauch aufrollen.

### Lagerung

Gerät trocken und frostgeschützt lagern.

### Aufbewahrung (frostsichere Lagerung)

Wird der Hochdruckreiniger in einem Raum abgestellt, in dem Temperaturen um oder unter 0°C auftreten, muß vorher Frostschutzmittel durch die Pumpe angesaugt werden:

1. Wasserzulaufschlauch vom Gerät trennen.
2. Sprührohr abnehmen.
3. Gerät einschalten, Schalterstellung "I" und Spritzpistole betätigen.
4. Einen kurzen Wasserschlauch an den Wasserzulauf des Reinigers anschließen und das andere Schlauchende in einen Behälter mit Frostschutzmittel legen.
5. Gerät einschalten, Schalterstellung "I".
6. Spritzpistole über den Behälter mit Frostschutzmittel halten und betätigen um den Ansaugvorgang zu starten.
7. Während des Ansaugvorgangs Spritzpistole 2 bis 3 mal betätigen.
8. Ansaugschlauch aus dem Behälter mit dem Frostschutzmittel heben und Spritzpistole betätigen, um das restliche Frostschutzmittel abzupumpen.
9. Gerät ausschalten.

#### VORSICHT

- Um jedes Risiko zu vermeiden, ist das Gerät vor der Wiedernbetriebnahme möglichst in einem beheizten Raum zwischenzulagern.
- Schalten sie ein eingefrorenes gerät niemals ein.

# 7 Behebung von Störungen

Störung	Ursache	Behebung
Druckabfall	<ul style="list-style-type: none"> <li>• Luft im System</li> <li>• HD-Düse verstopft/abgenutzt</li> <li>• Reinigungsmitteltank leer</li> </ul>	<ul style="list-style-type: none"> <li>• System entlüften, dazu Spritzpistole in kurzen Zeitabständen mehrmals betätigen, evtl. Maschine ohne angeschlossenen Hochdruckschlauch kurzzeitig in Betrieb nehmen.</li> <li>• HD-Düse reinigen/wechseln</li> <li>• Reinigungsmitteltank auffüllen oder Dosierventil in Stellung "0" bringen</li> </ul>
Druckschwankungen	<ul style="list-style-type: none"> <li>• Pumpe saugt Luft an (nur im Saugbetrieb möglich)</li> <li>• Wassermangel</li> <li>• Wasserzulaufschlauch zu lang bzw. zu geringer Querschnitt</li> <li>• Wassermangel durch verstopften Wasserfilter</li> <li>• Wassermangel durch Nichtbeachten der max. zulässigen Ansaughöhe</li> </ul>	<ul style="list-style-type: none"> <li>• Luftdichtigkeit des Saugsets überprüfen</li> <li>• Wasserhahn öffnen</li> <li>• Vorgeschriebenen Wasserzulaufschlauch verwenden</li> <li>• Wasserfilter im Wasseranschluss reinigen (nie ohne Wasserfilter arbeiten!)</li> <li>• Siehe Inbetriebnahme</li> </ul>
Beim Einschalten läuft der Motor nicht an	<ul style="list-style-type: none"> <li>• Stecker ist nicht richtig eingesteckt, Stromunterbrechung</li> </ul>	<ul style="list-style-type: none"> <li>• Stecker, Leitung und Schalter überprüfen und ggf. durch eine Elektrofachkraft austauschen lassen</li> </ul>
Motor brummt beim Einschalten, ohne anzulaufen	<ul style="list-style-type: none"> <li>• Netzsicherung ist abgeschaltet</li> <li>• Netzspannung ist zu niedrig, oder Phasenausfall</li> <li>• Pumpe ist blockiert oder eingefroren</li> <li>• Falscher Querschnitt oder Länge des Verlängerungskabels</li> </ul>	<ul style="list-style-type: none"> <li>• Netzsicherung einschalten</li> <li>• Elektrischen Anschluss überprüfen lassen</li> <li>• GRACO-Kundendienst verständigen</li> <li>• Richtigen Kabelquerschnitt bzw Länge verwenden.</li> </ul>
Motor schaltet aus	<ul style="list-style-type: none"> <li>• Überlastschutz hat ausgelöst wegen Überhitzung oder Überlastung des Motors</li> </ul>	<ul style="list-style-type: none"> <li>• Übereinstimmung von Versorgungsspannung und Gerätespannung überprüfen lassen. Ausschalten und mindestens 3 Minuten abkühlen lassen</li> </ul>
Reinigungsmittel bleiben aus	<ul style="list-style-type: none"> <li>• Hochdruckdüse verschmutzt</li> <li>• Injektor verschmutzt oder Saugschlauch verstopft</li> <li>• Reinigungsmittelbehälter leer</li> <li>• Drehknopf an Sprührohr oder FlexoPowerJet-Düse nicht auf Niederdruck eingestellt</li> </ul>	<ul style="list-style-type: none"> <li>• Hochdruckdüse wechseln</li> <li>• Reinigen</li> <li>• Reinigungsmittelbehälter auffüllen</li> <li>• Einstellung siehe Kapitel 4.</li> </ul>

## 8 Sonstiges

### Transport

Zum sicheren Transport in und auf Fahrzeugen empfehlen wir, das Gerät rutsch- und kippstabil mit Bändern zu fixieren.

Transport in liegender Position:

- Das Gerät nicht auf die Seite mit den Anschlüssen kippen oder legen.
- Saugschlauch aus dem Reinigungsmitteltank nehmen und den Tank mit dem mitgelieferten Deckel verschließen.
- Bevor das Gerät eingeschaltet wird: darauf achten, dass das Öl aus dem Ölauffangbehälter in das Pumpengehäuse zurückgeflossen ist. Ölstand kontrollieren, bei Bedarf Öl nachfüllen.

Wenn Gerät und Zubehör bei Temperaturen um oder unter 0°C transportiert werden, empfehlen wir die Verwendung von Frostschutzmittel.

### Reparatur und Wartung

Immer den Stecker aus der Dose ziehen bevor Sie Wartungsarbeiten an der Maschine durchführen.

### Gerät der Wiederverwertung zuführen

Das ausgediente Gerät sofort unbrauchbar machen.

1. Netzstecker ziehen
2. Anschlussleitung durchtrennen.
3. Werfen Sie Elektrogeräte nicht in den Hausmüll.



Gemäß Europäischer Richtlinie 2002/96/EG über Elektro- und Elektronik-Altgeräte müssen verbrauchte Elektrogeräte getrennt gesammelt und einer umweltgerechten Wiederverwertung zugeführt werden. Bei Fragen wenden Sie sich bitte an Ihre Gemeindeverwaltung oder Ihren nächsten Händler.

### Garantie

Für Garantie und Gewährleistung gelten unsere allgemeinen Geschäftsbedingungen.

Eigenmächtige Veränderungen am Gerät, der Einsatz falscher Zubehörteile und Reinigungsmittel sowie nicht bestimmungsgemäßer Gebrauch schließen eine Haftung des Herstellers für daraus resultierende Schäden aus.

## EG-Konformitätserklärung



# EC-DECLARATION OF CONFORMITY

EG-VERKLARING VAN OVEREENSTEMMING, DÉCLARATION DE CONFORMITÉ CE, EG-KONFORMITÄTSEKTLÄRUNG, DICHIARAZIONE DI CONFORMITÀ CE, EF-OVERENSSTEMMELSESERKLÆRING, ΕΚΔΗΛΩΣΗ ΣΥΜΜΟΡΦΩΣΗΣ, DECLARAÇÃO DE CONFORMIDADE - CE, DECLARACIÓN DE CONFORMIDAD DE LA CE, EY-VAATIMUSTENMUKAISUUSVAKUUTUS, EG-DEKLARATION OM ÖVERENSSTÄMMELSE, ES PROHLÁŠENÍ O SHODĚ, EÜ VASTAVUSDEKLARATSIOON, EC MEGFEJELŐSÉGI NYILATKOZAT, EK ATBILSTĪBAS DEKLARĀCIJA, ES ATITIKTIES DEKLARĀCIJA, DEKLARACJA ZGODNOŚCI UE, DIKJARAZZJONI-KE TA' KONFORMITA', IZJAVA ES O SKLADNOSTI, ES - VYHLÁŠENIE O ZHODE, EO-ДЕКЛАРАЦИЯ ЗА СЪВМЕСТИМОСТ, DEIMHNIÚ COMHRÉIREACHTA CE, CE-DECLARAȚIE DE CONFORMITATE

## Model

AquaMax 2330E, 2335E

Modèle, Modell, Modello, Μοντέλο,  
Modelo, Malli, Mudel, Modelis, Mudell, Модел, Samhail

## Part

287428, 287429

Bestelnr., Type, Teil, Codice, Del, Μέρος, Peça,  
Referencia, Osa, Součást, Részegység, Daja, Dalis,  
Część, Taqsimā, Čast, Част, Páirt, Parte

## Complies With The EC Directives:

Voldoet aan de EG-richtlijnen, Conforme aux directives CE, Entspricht den EG-Richtlinien, Conforme alle direttive CE, Overholder EF-direktiverne, Σύμφωνα με τις Οδηγίες της ΕΚ, Em conformidade com as Directivas CE, Cumple las directivas de la CE, Täyttää EY-direktiivien vaatimukset, Uppfyller EG-direktiven, Shoda se směrnicemi ES, Vastab EÜ direktiividele, Kielegíti az EK irányelvek követelményeit, Atbilst EK direktīvam, Atitinka sias ES direktyvas, Zgodność z Dyrektywami UE, Konformi mad-Direttivi tal-KE, V skladu z direktivami ES, Je v súlade so smernicami ES, Съвместимост с Директиви на ЕО, Tá ag teacht le Treoracha an CE, Respectá directivele CE

2006/42/EC Machine Directive

2006/95/EC Low Voltage Directive

2004/108/EC EMC Directive

## Standards Used:

Gebruikte maatstaven, Normes respectées, Verwendete Normen, Norme applicate, Anvendte standarder, Πρότυπα που χρησιμοποιήθηκαν, Normas utilizadas, Normas aplicadas, Sovellettavat standardit, Tillämpade standarder, Použité normy, Rakendatud standardid, Alkalmazott szabványok, Izmantotie standarti, Taikyti standartai, Užyte normy, Standards Uzati, Uporabljeni standardi, Použité normy, Използвани стандарти, Cíghdeáin arna n-úsáid, Standarde utilizate

EN 12100, EN 60335-2-79, EN 55014-1, EN 55014-2, EN 61000-3-2, DIN EN 60335-2-79

## Notified Body for Directive

Aangemelde instantie voor richtlijn, Organisme notifié pour la directive, Benannte Stelle für diese Richtlinie, Ente certificatore della direttiva, Bemyndiget organ for direktiv, Διακωλυμένο όργανο Οδηγίας, Organismo notificado relativamente à directiva, Organismo notificado de la directiva, Direktiivin mukaisesti ilmoitettu tarkastuslaitos, Anmält organ för direktivet, Úředně oznámený orgán pro směrnici, Teavitatud asutus (direktiivi järgi), Az irányelvvvel kapcsolatban értesített testület, Pilnvarotā iestāde saskaņā ar direktīvu, Apie direktīvu Informuota institūcija, Ciało powiadomione dla Dyrektywy, Korp avzat bid-Direttiva, Priglašeni organ za direktivo, Notifikovaný orgán pre smernicu, Нотифициран орган за Директива, Comhlacht ar tugadh fógra dó, Organism notificat în conformitate cu directiva

--	--	--	--

## Approved By:

Goedgekeurd door, Approuvé par, Genehmigt von, Approvato da, Godkendt af, Έγκριση από, Aprobado por, Aprobado por, Hyväksynyt, Intygas av, Schwáilil, Kinnitanud, Jóváhagyta, Apstiprināts, Patvirtino, Zatwierdzone przez, Approvat minn, Odobril, Schválené, Одобрено от, Фаофа аг, Aprobat de

Hans van Cranenbroek

Manufacturing, Engineering and Warehousing Manager

10 JANUARY 2011

### Manufactured By:

GRACO INC.  
88 - 11<sup>th</sup> Avenue N.E.  
Minneapolis, MN 55413  
USA

### Authorized Representative:
















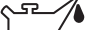

GRACO N.V.  
Slakweidestraat 31  
3630 Maasmechelen  
BELGIUM

199382

A



## Technische Daten

		AquaMax 2330E	AquaMax 2335E
	V/Ph/Hz	230/1/50	400/3/50
	A	16	10
	kW	3.3	4.2
<b>I</b>	A	15	7.6
		IP X5	IP X5
	bar/MPa	160/16	160/16
	bar/MPa	200/20	200/20
	l/h	560	700
	l/h	620	760
<b>Cleaning Impact</b>	kg/Force	3.0	3.6
		0350	0475
	°C	50	50
	bar / MPa	10/1	10/1
	mm	450 x 380 x 1040	450 x 380 x 1040
	kg	40.4	40.4
 <b>EN 60704-1</b>	dB(A)	74.6	75
 <b>L<sub>WA</sub></b>	dB(A)	87.9	90
<b>Vibration ISO 5349</b>	m/s <sup>2</sup>	< 2.5	< 2.5
<b>Recoil forces</b>	N	28	35
	l	0.225	0.225
 <b>TYPE</b>	Agip Rotra 80W-90		

## Graco-Standardgarantie

Graco garantiert, dass alle in diesem Dokument erwähnten Geräte, die von Graco hergestellt worden sind und den Namen Graco tragen, zum Zeitpunkt des Verkaufs an den Erstkäufer frei von Material- und Verarbeitungsschäden sind. Mit Ausnahme einer speziellen, erweiterten oder eingeschränkten Garantie, die von Graco bekannt gegeben wurde, garantiert Graco für eine Dauer von zwölf Monaten ab Kaufdatum die Reparatur oder den Austausch jedes Teiles, das von Graco als defekt anerkannt wird. Diese Garantie gilt nur dann, wenn das Gerät in Übereinstimmung mit den schriftlichen Graco-Empfehlungen installiert, betrieben und gewartet wurde.

Diese Garantie erstreckt sich nicht auf allgemeinen Verschleiß, Fehlfunktionen, Beschädigungen oder Verschleiß aufgrund fehlerhafter Installation, falscher Anwendung, Abrieb, Korrosion, inadäquater oder falscher Wartung, Vernachlässigung, Unfall, Durchführung unerlaubter Veränderungen oder Einbau von Teilen, die keine Original-Graco-Teile sind, und Graco kann für derartige Fehlfunktionen, Beschädigungen oder Verschleiß nicht haftbar gemacht werden. Ebenso wenig kann Graco für Fehlfunktionen, Beschädigungen oder Verschleiß aufgrund einer Unverträglichkeit von Graco-Geräten mit Strukturen, Zubehörteilen, Geräten oder Materialien anderer Hersteller oder durch falsche Bauweise, Herstellung, Installation, Betrieb oder Wartung von Strukturen, Zubehörteilen, Geräten oder Materialien anderer Hersteller haftbar gemacht werden.

Diese Garantie gilt unter der Bedingung, dass das Gerät, für welches die Garantieleistungen beansprucht werden, kostenfrei an einen autorisierten Graco-Vertragshändler geschickt wird, um den behaupteten Schaden bestätigen zu lassen. Wird der behauptete Schaden bestätigt, so wird jeder schadhafte Teil von Graco kostenlos repariert oder ausgetauscht. Das Gerät wird kostenfrei an den Originalkäufer zurückgeschickt. Sollte sich bei der Überprüfung des Gerätes kein Material- oder Herstellungsfehler nachweisen lassen, so werden die Reparaturen zu einem angemessenen Preis durchgeführt, der die Kosten für Ersatzteile, Arbeit und Transport umfasst.

DIESE GARANTIE HAT AUSSCHLIESSENDE GÜLTIGKEIT UND GILT ANSTELLE VON JEDLICHEN ANDEREN GARANTIEN, SEIEN SIE AUSDRÜCKLICH ODER IMPLIZIT, UND ZWAR EINSCHLIESSLICH, JEDOCH NICHT AUSSCHLIESSLICH, DER GARANTIE, DASS DIE WAREN VON DURCHSCHNITTLICHER QUALITÄT UND FÜR DEN NORMALEN GEBRAUCH SOWIE FÜR EINEN BESTIMMTEN ZWECK GEEIGNET SIND.

Gracos einzige Verpflichtung sowie das einzige Rechtsmittel des Käufers bei Nichteinhaltung der Garantieplichten ergeben sich aus dem oben dargelegten. Der Käufer anerkennt, dass kein anderes Rechtsmittel (einschließlich, jedoch nicht ausschließlich Schadenersatzforderungen für Gewinnverluste, nicht zustande gekommene Verkaufsabschlüsse, Personen- oder Sachschäden oder andere Folgeschäden) zulässig ist. Jede Nichteinhaltung der Garantieplichten ist innerhalb von zwei (2) Jahren ab Kaufdatum vorzubringen.

GRACO ERSTRECKT SEINE GARANTIE NICHT AUF ZUBEHÖRTEILE, GERÄTE, MATERIALIEN ODER KOMPONENTEN, DIE VON GRACO VERKAUFT, ABER NICHT VON GRACO HERGESTELLT WERDEN, UND GEWÄHRT DARAUF KEINE WIE IMMER IMPLIZIERTE GARANTIE BEZÜGLICH DER MARKFÄHIGKEIT UND EIGNUNG FÜR EINEN BESTIMMTEN ZWECK. Diese von Graco verkauften, aber nicht von Graco hergestellten Teile (wie zum Beispiel Elektromotoren, Schalter, Schläuche usw.) unterliegen den Garantieleistungen der jeweiligen Hersteller. Graco unterstützt die Käufer bei der Geltendmachung eventueller Garantieansprüche nach Maßgabe.

Auf keinen Fall kann Graco für indirekte, beiläufig entstandene, spezielle oder Folgeschäden haftbar gemacht werden, die sich aus der Lieferung von Geräten durch Graco unter diesen Bestimmungen ergeben, oder der Lieferung, Leistung oder Verwendung irgendwelcher Produkte oder anderer Güter, die unter diesen Bestimmungen verkauft werden, sei es aufgrund eines Vertragsbruches, eines Garantiebruches, einer Fahrlässigkeit von Graco oder sonstigem.

**Graco reserves the right to make changes at any time without notice.**  
**Übersetzung der Originalanleitung. This manual contains German. MM 3A1490**  
**Graco Headquarters: Minneapolis**  
**International Offices: Belgium, China, Japan, Korea**  
**GRACO INC. P.O. BOX 1441 MINNEAPOLIS, MN 55440-1441**  
**www.graco.com**

# Sommaire

<b>1</b>	<b>Consignes de sécurité importantes .....</b>	<b>38</b>
	<i>Symbols used to mark instructions .....</i>	38
	<i>Avertissement .....</i>	38
<b>2</b>	<b>Description .....</b>	<b>40</b>
	<i>Éléments de commande .....</i>	40
	<i>Mode d'emploi .....</i>	41
	<i>Affectation .....</i>	41
	<i>Autre soutien .....</i>	41
	<i>Avant l'emploi .....</i>	41
<b>3</b>	<b>Avant la mise en service.....</b>	<b>42</b>
	<i>Installation.....</i>	42
	<i>Raccordement du flexible haute pression.....</i>	42
	<i>Valve BA.....</i>	43
	<i>Maintenance .....</i>	43
	<i>Raccordement du flexible à eau .....</i>	44
	<i>Raccordement électrique.....</i>	44
	<i>Câble de rallonge.....</i>	44
<b>4</b>	<b>Commande / Service .....</b>	<b>45</b>
	<i>Raccordement du pistolet à la lance.....</i>	45
	<i>Mise en marche de l'appareil raccordé à une conduite d'eau .....</i>	45
	<i>Mise en marche de l'appareil raccordé à un réservoir ouvert (aspiration).....</i>	45
	<i>Réglage de la pression avec la lance Powerspeed Vario Plus.....</i>	46
	<i>Réglage de la pression sur la buse FlexoPower Plus .....</i>	46
	<i>Emploi de détergents.....</i>	46
<b>5</b>	<b>Domaines d'utilisation et méthodes de travail.....</b>	<b>47</b>
	<i>Indications générales.....</i>	47
	<i>Détremper.....</i>	47
	<i>Appliquer détergent et mousse.....</i>	47
	<i>Température.....</i>	47
	<i>Action mécanique .....</i>	47
	<i>Grand débit d'eau et haute pression.....</i>	47
<b>6</b>	<b>Après le travail .....</b>	<b>48</b>
	<i>Arrêt de l'appareil.....</i>	48
	<i>Enroulement du cordon et du flexible haute pression, rangement des accessoires.....</i>	48
	<i>Entreposage .....</i>	48
	<i>Conservation de la machine (entreposage à l'abri du gel) .....</i>	48
<b>7</b>	<b>Suppression de dérangements.....</b>	<b>49</b>
<b>8</b>	<b>Divers .....</b>	<b>50</b>
	<i>Transport.....</i>	50
	<i>Réparation et maintenance.....</i>	50
	<i>Affectation de la machine au recyclage .....</i>	50
	<i>Garantie .....</i>	50
	<i>Déclaration de conformité CE.....</i>	51
	<i>Caractéristiques techniques .....</i>	52
	<i>Garantie standard de Graco .....</i>	53

# 1 Consignes de sécurité importantes

## Symbols used to mark instructions

### DANGER

Danger susceptible d'entraîner directement des blessures graves et irréversibles ou la mort.

### AVERTISSEMENT

Danger susceptible d'entraîner des blessures graves ou la mort.

### ATTENTION

Danger susceptible d'entraîner des blessures légères ou des dommages matériels.

## Avertissement

### AVERTISSEMENT

- S'abstenir de toute méthode de travail douteuse quant à la sécurité.
- Aucune modification d'ordre mécanique, électrique ou thermique ne peut être apportée.
- Cet appareil ne doit pas être utilisé par des enfants ou des personnes dont les capacités physiques, sensorielles ou mentales sont altérées. De même, les personnes n'ayant pas les connaissances et l'expérience requises ne sont autorisées à se servir de cet appareil que sous la supervision ou après avoir reçu les instructions requises par des personnes dûment habilitées.
- La machine doit être utilisée exclusivement avec les produits de nettoyage fournis ou recommandés par GRACO. L'utilisation de tout autre produit peut avoir un effet négatif sur la sécurité de la machine.
- Risque d'explosion – ne pas utiliser le nettoyeur pour vaporiser des liquides inflammables.



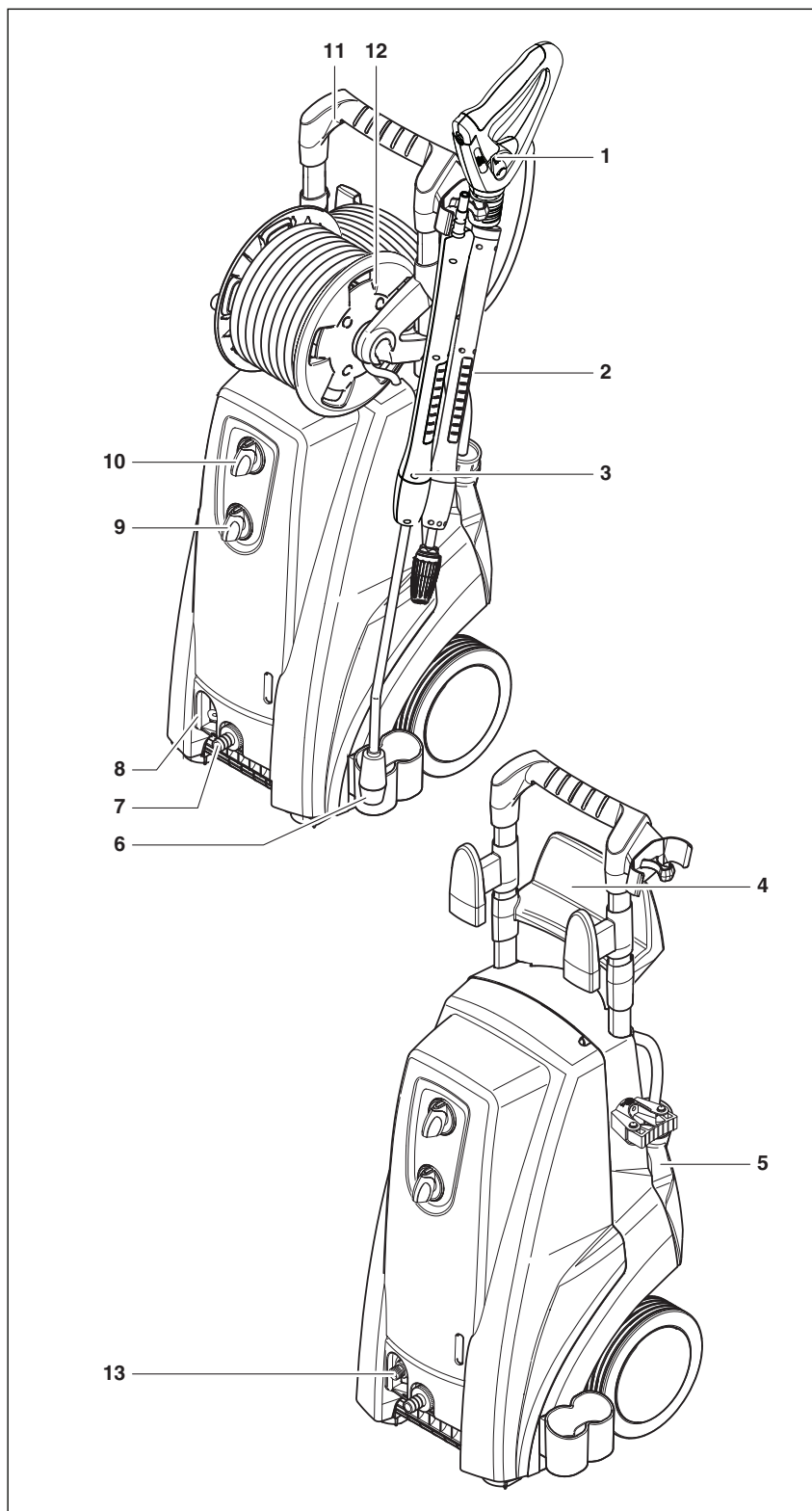
### ATTENTION

- Des jets à haute pression peuvent être dangereux. Ne dirigez jamais le jet d'eau vers des personnes, des animaux domestiques, de l'équipement électrique sous tension ou la machine elle-même.
- N'essayez jamais de nettoyer des vêtements ou chaussures sur vous ou d'autres personnes à l'aide du jet
- L'opérateur ainsi que toute personne se trouvant juste à côté de l'endroit à nettoyer doivent prendre des mesures afin d'éviter d'être heurtés par des déchets détachés sous l'effet du nettoyage. Le port de lunettes de protection est fortement recommandé pendant l'utilisation
- Ne couvrez pas la machine pendant son utilisation.
- N'utilisez jamais la machine dans un environnement comportant un risque d'explosion. Dans le doute, renseignez-vous auprès des autorités locales.
- Il est interdit de nettoyer des surfaces contenant de l'amiante à la haute pression.
- N'utilisez jamais la laveuse à haute pression à des températures inférieures à 0°C.
- Utiliser uniquement le carburant spécifié. Les carburants incorrects peuvent provoquer des dégâts sévères.
- Lors de la mise en route de la machine, des à-coups peuvent se produire au niveau de la lance de projection, en particulier pour les lances coudées. Il est donc recommandé de tenir la lance à 2 mains.
- Lors du nettoyage de l'objet, vérifier si des matières dangereuses ne se détachent pas de celui-ci et ne parviennent pas dans l'environnement - p. ex. amiante, huile.
- Ne nettoyez pas des pièces fragiles en caoutchouc, en tissu et autres avec le jet rond. Lors du nettoyage, veillez à une distance suffisante entre la buse haute pression et la surface à nettoyer afin d'éviter d'endommager celle-ci.
- Ne jamais mettre la machine en marche sans eau. Un manque d'eau, même de courte durée, entraîne un grave endommagement des manchettes de pompe.
- Toute méthode de travail présentant des risques au niveau de la sécurité doit être écartée.
- Ne pas bloquer la poignée à gâchette dans la position ouverte.

## 2 Description

### Éléments de commande

- |   |   |
|---|---|
| 1. Pistolet                                   | 8. Alimentation en eau du dévi-<br>doir tuyau |
| 2. Cordon                                     | 9. Commutateur principal                      |
| 3. Lance                                      | 10. Dosage de détergent                       |
| 4. Fixation pour le cordon                    | 11. Guidon                                    |
| 5. Réservoir de détergent                     | 12. Tambour du flexible <sup>1)</sup>         |
| 6. Support pour la lance                      | 13. Raccord du flexible haute<br>pression     |
| 7. Prise d'eau et filtre<br>d'admission d'eau |   |



**Mode d'emploi**

Avant de mettre l'appareil en service, lisez absolument ce document et conservez-le à portée de la main.

Le fonctionnement de l'appareil est soumis aux dispositions nationales en vigueur.

Outre la notice d'utilisation et les règlements obligatoires de prévention des accidents en vigueur dans le pays d'utilisation, il convient d'observer les règles techniques reconnues pour des travaux effectués en toute sécurité et selon les règles de l'art.

**Affectation**

Ce nettoyeur haute pression a été conçu pour un usage professionnel. Il peut servir à nettoyer des équipements agricoles ou les équipements de travaux publics, des étables, des véhicules, des surfaces rouillées, etc.

Ce nettoyeur n'a pas été homologué pour nettoyer des surfaces qui entrent en contact avec des produits alimentaires.

Toute utilisation allant au-delà est considérée comme non conforme à la destination. Le fabricant décline toute responsabilité pour les dommages qui en résulteraient. L'utilisation conforme à la destination implique aussi le respect des conditions de service, de maintenance et d'entretien prescrites par le fabricant. Endommagement de revêtements de sol fragiles.

**Autre soutien**

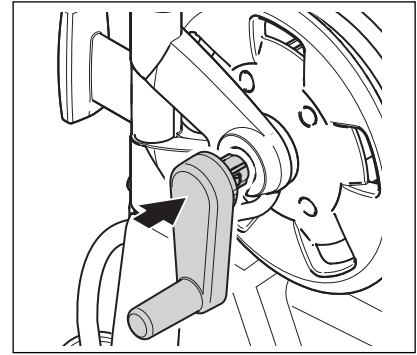
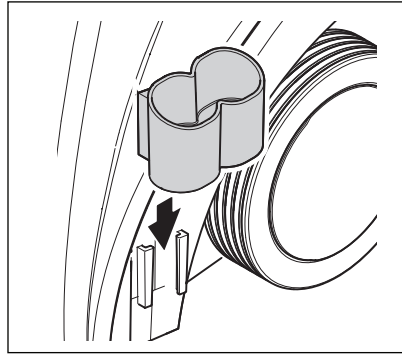
Pour d'autres questions, veuillez vous adresser au service après-vente de GRACO compétent pour votre pays.

**Avant l'emploi**

Avant de démarrer votre machine, veuillez vérifier soigneusement l'absence de défauts.

# 3 Avant la mise en service

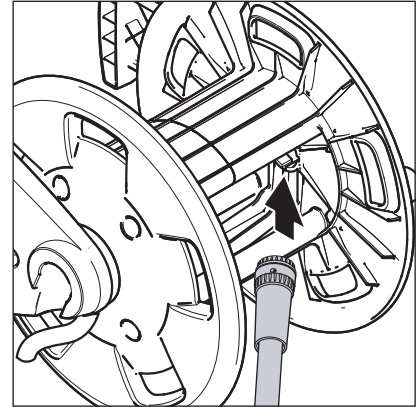
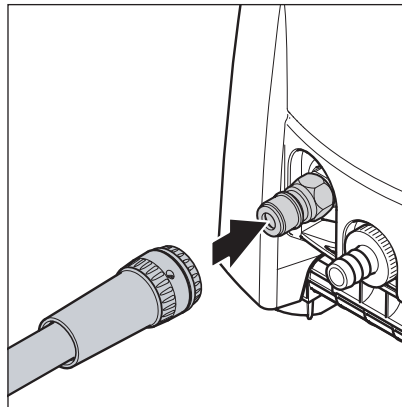
## Installation



## Raccordement du flexible haute pression

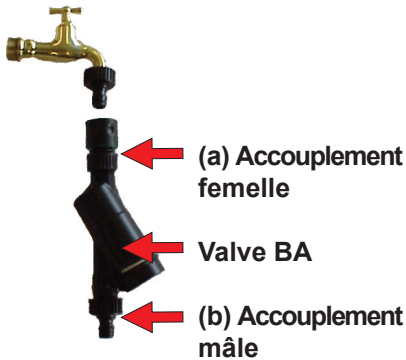
Appareils sans tambour de flexible.


Appareils avec tambour de flexible.





## Valve BA



 Il vous est uniquement permis de raccorder ce laveur/ nettoyeur haute pression aux prises principales d'eau potable si un dispositif anti-refoulement approprié a été installé, de type BA selon EN 1717.

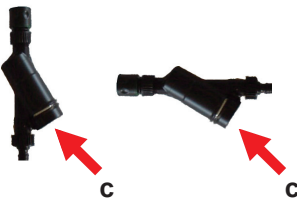
La valve BA peut être commandée sous le numéro :

- Valve BA, y compris les accouplements GARDENA : 106411177
- Valve BA, y compris les accouplements NITO : 106411178
- Valve BA, y compris les accouplements GEKA : 106411179
- Valve BA sans accouplements : 106411184

Les valves peuvent être commandées sous le numéro :

- 3/4" GARDENA (a): 32541
- 3/4" GARDENA (b): 1608629
- 3/4" NITO (a): 1602945
- 3/4" NITO (b): 1600659
- 1/2" NITO (b): 1604669
- 3/4" GEKA (a): 1718
- 3/4" GEKA (b): 1311

## Consignes d'installation



1. Montez un accouplement mâle sur le robinet d'eau.
2. Raccordez (a) à la valve BA sur le robinet d'eau.
3. Montez un accouplement femelle sur le flexible.
4. Raccordez (b) à la valve BA sur le flexible.
5. Raccordez le flexible au laveur haute pression.
6. Ouvrez l'eau et mettez la machine en marche.

### ATTENTION

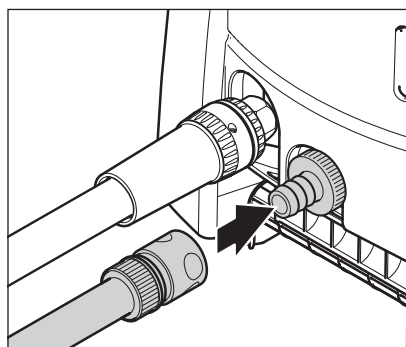
- Le dispositif anti-refoulement peut être monté soit verticalement, soit horizontalement, et l'ouverture de vidange (c) doit être montée de manière à pointer vers le bas.
- L'eau qui s'écoule de l'ouverture de vidange (c) doit pouvoir couler librement.
- S'il y a un risque d'écoulement de sable dans l'eau d'alimentation (par ex. de votre propre puits), il convient de monter un filtre supplémentaire entre le robinet d'eau et le dispositif anti-refoulement.
- La longueur du tuyau entre le dispositif anti-refoulement et le laveur haute pression doit être d'au moins 12 mètres (diamètre minimum :  $\frac{3}{4}$  de pouce) pour absorber les éventuelles crêtes de pression.
- Dès que l'eau s'est écoulé par la valve BA, elle n'est plus considérée comme étant de l'eau potable.
- Protégez le dispositif anti-refoulement contre toute exposition au gel.
- Gardez le dispositif anti-refoulement bien propre et exempt de saletés.

## Maintenance

Vérifiez son fonctionnement au moins une fois par an, en procédant comme suit :

1. Après le travail, désactivez le nettoyeur à haute pression.
2. Fermez la vanne du robinet d'eau.
3. Evacuez la pression dans le flexible d'alimentation en déclenchant le pistolet de pulvérisation.
4. Démontez le dispositif anti-refoulement. L'eau doit sortir de l'ouverture d'écoulement (c) (maximum 100 ml) pour garantir la séparation entre l'eau potable et l'eau contenue dans le flexible.
5. Si tel n'est pas le cas, essayez de nettoyer la valve BA ou contactez votre représentant GRACO.

### Raccordement du flexible à eau



1. Avant de raccorder le flexible à l'appareil, rincez-le rapidement à l'eau afin que du sable et d'autres particules de saleté ne puissent pas pénétrer dans l'appareil.
2. Raccordez le flexible à la prise d'eau au moyen du raccord rapide.
3. Ouvrez le robinet d'eau.

#### ATTENTION

- En cas de mauvaise qualité de l'eau (sable alluvionnaire etc.), montez un filtre à eau fin dans l'arrivée d'eau.
- Pour raccorder l'appareil, utilisez un flexible à eau doublé d'un renfort ayant un diamètre nominal minimum de 3/4" (19 mm).

### Raccordement électrique



Pour les appareils à commutation de tension<sup>1)</sup>, veillez absolument à ce que l'appareil soit réglé sur la tension secteur correcte avant de brancher sa fiche secteur dans la prise de courant. Sinon, les composants électriques de l'appareil pourraient être détruits.

#### ATTENTION

- Connectez toujours la machine à une installation disposant d'une mise à la terre.
- L'installation électrique doit être effectuée par un électricien qualifié.
- Il est fortement recommandé que l'alimentation électrique de cette machine possède d'un disjoncteur de fuite à la terre (GFCI)
- Ne pas endommager le câble d'alimentation électrique (p. ex. en l'écrasant, en le tirant ou en le serrant).
- Les câbles de rallonge inappropriés peuvent être dangereux. Déroulez toujours complètement les tambours de câble pour éviter un risque d'incendie dû au suréchauffement.

### Câble de rallonge

Utilisez comme câble de rallonge uniquement le modèle indiqué par le fabricant ou un modèle supérieur.

Veillez à ce que le câble ait la section minimale requise :

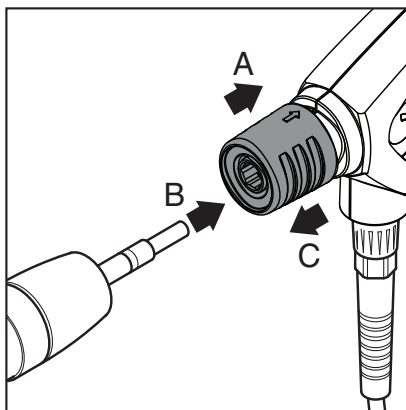
Longueur du câble m	Section	
	< 16 A	< 25 A
jusqu'à 20 m	1.5 mm <sup>2</sup>	2.5 mm <sup>2</sup>
20 à 50 m	2.5 mm <sup>2</sup>	4.0 mm <sup>2</sup>

#### ATTENTION

- En cas d'emploi de tambours à câbles : Pour cause de risque de surchauffe et d'incendie, dérouler toujours entièrement le cordon secteur.
- Veillez à ce que les raccords de câble soient secs et non pas posés à ras le sol.

## 4 Commande / Service

### Raccordement du pistolet à la lance

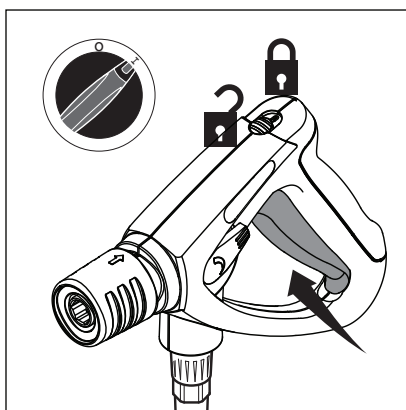


1. Tirez vers l'arrière la poignée à déclenchement rapide bleue (A) du pistolet pulvérisateur.
2. Insérez le manchon fileté de la lance de pulvérisation (B) dans le raccord rapide, puis relâchez-le.
3. Tirez la lance de pulvérisation (ou tout autre accessoire) vers l'avant pour vérifier qu'elle est fixée en toute sécurité sur le pistolet pulvérisateur.

#### ATTENTION

Avant d'assembler la lance et le pistolet, nettoyez le nipple pour éliminer les éventuelles particules de saleté.

### Mise en marche de l'appareil raccordé à une conduite d'eau

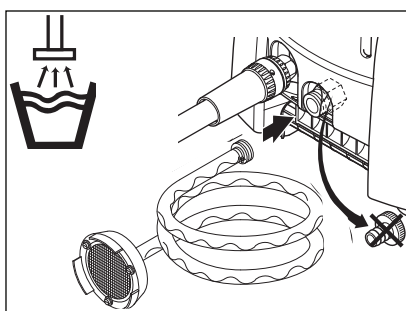


1. Mettez le commutateur principal dans la position « I ».
2. Déverrouillez le pistolet et actionnez-le.
3. Mettez le cran de sûreté même lors de courtes interruptions du travail.

#### ATTENTION

Pour purger l'air du système, actionnez plusieurs fois le pistolet à de courts intervalles.

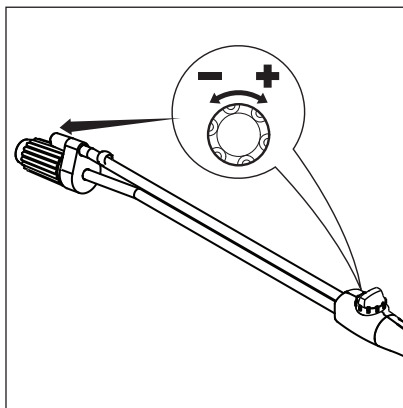
### Mise en marche de l'appareil raccordé à un réservoir ouvert (aspiration)



1. Remplissez le kit d'aspiration GRACO avec de l'eau avant de le raccorder à l'appareil.
2. Mettez le commutateur principal dans la position « I ».
3. Déverrouillez le pistolet et actionnez-le.

Hauteur d'aspiration max.  
(Primé) = 1 m

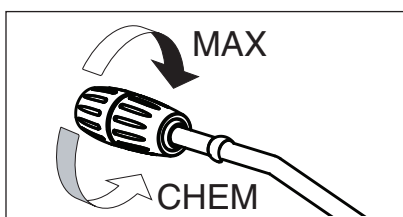
### Réglage de la pression avec la lance Powerspeed Vario Plus



Tournez le bouton tournant sur le dispositif de pulvérisation :

- haute pression = dans le sens horaire (+)
- basse pression = dans le sens antihoraire (-)

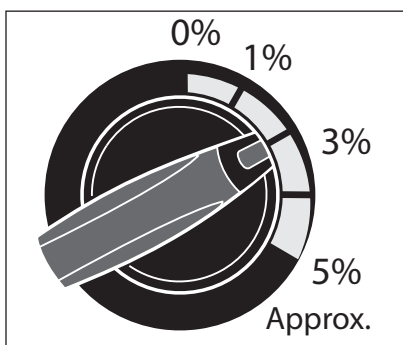
### Réglage de la pression sur la buse FlexoPower Plus



Tournez la douille de la buse FlexoPower Plus:

- haute pression = MAX.
- basse pression = MIN. (CHEM)

### Emploi de détergents



série que dans le mode à basse pression :

1. Diluez préalablement le détergent selon la prescription du fabricant.
2. Réglez la régulation de pression sur « basse pression ».
3. Réglez le débit de détergent souhaité en tournant la vanne de dosage.
4. Mettez le commutateur principal dans la position « I ».
5. Actionnez le pistolet.

Les détergents ne peuvent être aspirés avec l'injecteur intégré en

#### ATTENTION

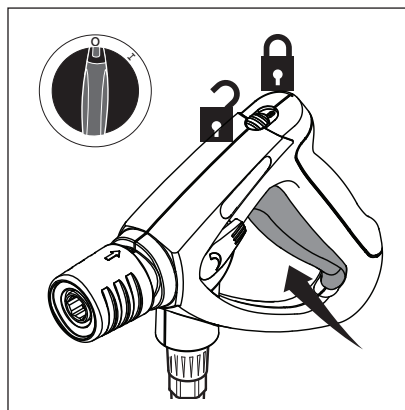
Les détergents ne doivent pas sécher, sinon la surface à nettoyer pourrait être endommagée !

# 5 Domaines d'utilisation et méthodes de travail

<b>Indications générales</b>	Vous obtiendrez un nettoyage à haute pression efficace en observant quelques directives et en vous basant sur vos expériences personnelles dans des domaines spéciaux. Accessoires et détergents peuvent, s'ils sont employés correctement, renforcer l'effet du nettoyage. Vous trouverez ici quelques indications fondamentales.
<b>Détremper</b>	Les couches de saleté épaisses et incrustées peuvent être détachées ou amollies après avoir trempé un certain temps. Une méthode idéale, en particulier dans l'agriculture – par exemple dans les porcheries. L'emploi de détergents moussants et alcalins optimise l'effet. Vaporisez la solution de détergent sur la surface et laissez agir 30 minutes. Vous pouvez ensuite nettoyer beaucoup plus vite avec le jet haute pression.
<b>Appliquer détergent et mousse</b>	Les détergents et la mousse devraient être pulvérisés sur la surface sèche afin que le produit non dilué soit en contact avec la saleté. Sur les surfaces verticales, travaillez de bas en haut pour éviter les traînées lorsque la solution de détergent ruisselle. Laissez agir quelques minutes avant de nettoyer avec le jet haute pression. Ne laissez pas sécher les détergents.
<b>Température</b>	Des températures relativement élevées renforcent l'effet du nettoyage. Graisses et huiles, notamment, peuvent se dissoudre plus vite et plus facilement. Les protéines se dissolvent le mieux à des températures autour de 60°C, les huiles et les graisses entre 70°C et 90°C.
<b>Action mécanique</b>	La dissolution de couches de saleté épaisses nécessite en plus une action mécanique. Des lances spéciales et des brosses de lavage (rotatives) produisent le meilleur effet pour détacher la couche de saleté.
<b>Grand débit d'eau et haute pression</b>	La haute pression n'est pas toujours la meilleure solution et une pression trop forte peut endommager les surfaces. L'effet du nettoyage dépend également du débit d'eau. Une pression de 100 bars est suffisante pour nettoyer des véhicules (avec de l'eau chaude). Un débit d'eau plus important permet de rincer et d'entraîner la saleté détachée.

## 6 Après le travail

### Arrêt de l'appareil



1. Coupez le commutateur principal en le tournant sur la position « OFF ».
2. Fermez le robinet d'eau.
3. Actionnez le pistolet jusqu'à ce que l'appareil soit sans pression.
4. Mettez le cran de sûreté sur le pistolet.

### Enroulement du cordon et du flexible haute pression, rangement des accessoires

1. Enroulez le cordon.
2. Enroulez le flexible haute pression.
3. Accrochez la lance et les accessoires dans leurs fixations.

#### ATTENTION

Risque de dérapage. Pour prévenir tout accident, il faut toujours soigneusement enrouler le câble d'alimentation et le flexible.

### Entreposage

Entreposez l'appareil au sec et à l'abri du gel.

### Conservation de la machine (entreposage à l'abri du gel)

Si le nettoyeur haute pression est entreposé dans un local où les températures sont égales ou inférieures à 0°C, il faut auparavant aspirer de l'antigel avec la pompe :

1. Déconnectez le flexible d'arrivée d'eau de l'appareil.
2. Retirez la lance.
3. Mettez l'appareil en marche, position « I » du commutateur.
4. Raccordez un flexible d'aspiration court au flexible du nettoyeur, et placez l'autre extrémité dans un réservoir contenant de l'antigel.
5. Mettez l'appareil en marche, position « I » du commutateur.
6. Tenez le pistolet au-dessus du réservoir d'antigel et actionnez-le pour amorcer l'aspiration.
7. Actionnez le pistolet 2 à 3 fois pendant l'aspiration.
8. Soulevez le flexible d'aspiration hors du réservoir d'antigel et actionnez le pistolet pour pomper le reste d'antigel.
9. Arrêtez l'appareil.

#### ATTENTION

- Pour éviter tout risque, entreposez temporairement l'appareil dans un local si possible chauffé avant de le remettre en service.
- Ne démarrez jamais une machine gelee.

# 7 Suppression de dérangements

Dérangement	Cause	Suppression
Chute de pression	<ul style="list-style-type: none"> <li>Air dans le système</li> <li>Buse HP obstruée/usée</li> <li>Réservoir de détergent vide</li> </ul>	<ul style="list-style-type: none"> <li>Purger l'air du système en actionnant plusieurs fois le pistolet à de brefs intervalles, mettre éventuellement la machine en marche un court instant, sans que le tuyau haute pression soit raccordé</li> <li>Nettoyer/remplacer la buse HP</li> <li>Remplir le réservoir de détergent ou mettre la vanne de dosage dans la position « 0 »</li> </ul>
Fluctuations de pression	<ul style="list-style-type: none"> <li>La pompe aspire de l'air (possible seulement en mode d'aspiration)</li> <li>Manque d'eau</li> <li>flexible d'arrivée d'eau trop long ou de section trop petite</li> <li>Manque d'eau dû au colmatage du filtre à eau</li> <li>Manque d'eau dû à l'inobservation de la hauteur d'aspiration max. permise</li> </ul>	<ul style="list-style-type: none"> <li>Contrôler l'étanchéité à l'air du groupe d'aspiration</li> <li>Ouvrir le robinet d'eau</li> <li>Utiliser le flexible d'arrivée d'eau prescrit</li> <li>Nettoyer le filtre à eau dans la prise d'eau (ne jamais travailler sans filtre !)</li> <li>Voir notice d'utilisation</li> </ul>
Le moteur ne démarre pas lors de la mise en marche	<ul style="list-style-type: none"> <li>Fiche pas branchée correctement, coupure du courant</li> </ul>	<ul style="list-style-type: none"> <li>Contrôler la fiche, le cordon et le commutateur, les faire éventuellement remplacer par un électricien</li> </ul>
Le moteur ronfle sans démarrer lors de la mise en marche	<ul style="list-style-type: none"> <li>Le fusible de secteur a déclenché</li> <li>Tension du réseau trop faible, ou défaillance de phase</li> <li>Pompe bloquée ou gelée</li> <li>Câble de rallonge trop long ou de section trop petite</li> </ul>	<ul style="list-style-type: none"> <li>Réenclencher le fusible de secteur</li> <li>Faire contrôler le raccordement électrique</li> <li>S'adresser au service après-vente GRACO</li> <li>Utiliser un câble ayant la bonne longueur et la bonne section</li> </ul>
Le moteur s'arrête	<ul style="list-style-type: none"> <li>La protection contre la surcharge a réagi à cause d'un échauffement ou d'une surcharge du moteur</li> </ul>	<ul style="list-style-type: none"> <li>Faire vérifier que la tension d'alimentation correspond à celle de l'appareil. Arrêter l'appareil et le laisser refroidir au moins 3 minutes</li> </ul>
Les détergents n'arrivent	<ul style="list-style-type: none"> <li>Buse haute pression encrassée</li> <li>Injecteur encrassé ou flexible d'aspiration bouché</li> <li>Réservoir à détergent vide</li> <li>Bouton tournant sur la lance pas réglé sur la basse pression</li> </ul>	<ul style="list-style-type: none"> <li>Remplacer la buse haute pression</li> <li>Le nettoyer</li> <li>Remplir le réservoir à détergent</li> <li>Tourner le bouton tournant situé sur la lance dans le sens antihoraire, jusqu'à la butée</li> </ul>

# 8 Divers

## Transport

Pour le transport sûr dans et sur des véhicules, nous recommandons de fixer l'appareil avec des sangles pour qu'il ne glisse pas et ne verse pas.

Transport en position horizontale :

- ne basculez pas ou ne posez pas l'appareil sur le côté où se trouvent les connexions.
- extrayez le flexible d'aspiration hors du réservoir de détergent et fermez le réservoir avec le couvercle fourni.
- avant de mettre l'appareil en marche, veillez à ce que l'huile soit revenue du collecteur dans le carter de pompe. Contrôlez le niveau d'huile, rajoutez de l'huile au besoin.

Si l'appareil et ses accessoires sont transportés à des températures voisines de ou inférieures à 0°C, nous recommandons d'employer un antigel comme il est décrit dans le chapitre 5.

## Réparation et maintenance

Débranchez le câble d'alimentation de la prise avant toute maintenance sur la machine.

## Affectation de la machine au recyclage

Rendez immédiatement inutilisable l'appareil qui ne sert plus.

1. Débranchez la fiche secteur.
2. Sectionnez le cordon.
3. Ne jetez pas les appareils électriques dans les ordures ménagères.



D'après la directive européenne 2002/96/CE sur les déchets d'équipements électriques et électroniques usés, les appareils électriques doivent faire l'objet d'une collecte sélective et d'un recyclage écologique.

Pour toutes questions, veuillez vous adresser à l'administration de votre commune ou au revendeur le plus proche.

## Garantie

La garantie et les prestations couvertes sont régies par nos Conditions générales de vente.

Sous réserve de modifications impliquées par des innovations techniques.



## Déclaration de conformité CE



# EC-DECLARATION OF CONFORMITY

EG-VERKLARING VAN OVEREENSTEMMING, DÉCLARATION DE CONFORMITÉ CE, EG-KONFORMITÄTSEKTLÄRUNG, DICHIARAZIONE DI CONFORMITÀ CE, EF-OVERENSSTEMMELSESEKTLÆRING, ΕΚ-ΔΗΛΩΣΗ ΣΥΜΜΟΡΦΩΣΗΣ, DECLARAÇÃO DE CONFORMIDADE - CE, DECLARACIÓN DE CONFORMIDAD DE LA CE, EY-VAATIMUSTENMUKAISUUSVAKUUTUS, EG-DEKLARATION OM ÖVERENSSTÄMMELSE, ES PROHLÁŠENÍ O SHODĚ, EÜ VASTAVUSDEKLARATSIOON, EC MEGFEJELŐSÉGI NYILATKOZAT, EK ATBILSTĪBAS DEKLARĀCIJA, ES ATITIKTIES DEKLARACIJA, DEKLARACJA ZGODNOŚCI UE, DIKJARAZZJONI-KE TA' KONFORMITA', IZJAVA ES O SKLADNOSTI, ES - VYHLÁŠENIE O ZHODE, EO-ДЕКЛАРАЦИЯ ЗА СЪВМЕСТИМОСТ, DEIMHNIÚ COMHRÉIREACHTA CE, CE-DECLARAȚIE DE CONFORMITATE

## Model

Modèle, Modell, Modello, Μοντέλο,  
Modelo, Malli, Mudel, Modelis, Mudell, Модел, Samhail

AquaMax 2330E, 2335E

## Part

Bestelnr., Type, Teil, Codice, Del, Μέρος, Peça,  
Referencia, Osa, Součást, Részegység, Daja, Dalis,  
Część, Taqsimā, Čast, Част, Part, Parte

287428, 287429

## Complies With The EC Directives:

Volddet aan de EG-richtlijnen, Conforme aux directives CE, Entspricht den EG-Richtlinien, Conforme alle direttive CE, Overholder EF-direktiverne, Σύμφωνα με τις Οδηγίες της ΕΚ, Em conformidade com as Directivas CE, Cumple las directivas de la CE, Täyttää EY-direktiivien vaatimukset, Uppfyller EG-direktiven, Shoda se směrnicemi ES, Vastab EÜ direktiividele, Kielegítii az EK irányelvek követelményeit, Atbilst EK direktīvām, Atitinka šias ES direktyvas, Zgodność z Dyrektywami UE, Konformi mad-Direttivi tal-KE, V skladu z direktivami ES, Je v súlade so smernicami ES, Съвместимост с Директиви на ЕО, Tá ag teacht le Treoracha an CE, Respectá directivele CE

2006/42/EC Machine Directive

2006/95/EC Low Voltage Directive

2004/108/EC EMC Directive

## Standards Used:

Gebruikte maatstaven, Normes respectées, Verwendete Normen, Norme applicate, Anvendte standarder, Πρότυπα που χρησιμοποιήθηκαν, Normas utilizadas, Normas aplicadas, Sovelletavat standardit, Tillämpade standarder, Použité normy, Rakendatud standardid, Alkalmazott szabványok, Izmantotie standarti, Taikyti standartai, Uzyte normy, Standards Uzati, Uporabljeni standardi, Použité normy, Използвани стандарти, Caidheáin arna n-úsáid, Standarde utilizate

EN 12100, EN 60335-2-79, EN 55014-1, EN 55014-2, EN 61000-3-2, DIN EN 60335-2-79

## Notified Body for Directive

Aangemelde instantie voor richtlijn, Organisme notifié pour la directive, Benannte Stelle für diese Richtlinie, Ente certificatore della direttiva, Bemyndiget organ for direktiv, Διακοινωμένο όργανο Οδηγίας, Organismo notificado relativamente à directiva, Organismo notificado de la directiva, Direktiivien mukaisesti ilmoitettu tarkastuslaitos, Anmält organ för direktivet, Úředně oznámený orgán pro směrnici, Teavitatud asutus (direktiivi järgi), Az irányelvvvel kapcsolatban értesített testület, Pilnvarotā iestāde saskaņā ar direktīvu, Apie direktīvu Informuota institūcija, Ciało powiadomione dla Dyrektywy, Korp avzat bid-Direttiva, Priglašeni organ za direktivo, Notifikovaný orgán pre smernicu, Нотифициран орган за Директива, Comhlacht ar tugadh fógra dó, Organism notificat în conformitate cu directiva

--	--	--	--

## Approved By:

Goedgekeurd door, Approuvé par, Genehmigt von, Approvato da, Godkendt af, Έγκριση από, Aprobado por, Aprobado por, Hyväksynyt, Intygas av, Schwäilit, Kinnitanud, Jóváhagyta, Apstiprināts, Patvirtino, Zatwierdzone przez, Approvat minn, Odobril, Schválené, Одобрено от, Faofa ag, Aprobat de

**Hans van Cranenbroek**

**Manufacturing, Engineering and Warehousing Manager**

10 JANUARY 2011

### Manufactured By:

**GRACO INC.**  
88 - 11<sup>th</sup> Avenue N.E.  
Minneapolis, MN 55413  
USA
















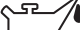

### Authorized Representative:

**GRACO N.V.**  
Slakweidestraat 31  
3630 Maasmechelen  
BELGIUM

**199382**

**A**

## Caractéristiques techniques

		AquaMax 2330E	AquaMax 2335E
	V/Ph/Hz	230/1/50	400/3/50
	A	16	10
	kW	3.3	4.2
<b>I</b>	A	15	7.6
		IP X5	IP X5
	bar/MPa	160/16	160/16
	bar/MPa	200/20	200/20
	l/h	560	700
	l/h	620	760
<b>Cleaning Impact</b>	kg/Force	3.0	3.6
		0350	0475
	°C	50	50
	bar / MPa	10/1	10/1
	mm	450 x 380 x 1040	450 x 380 x 1040
	kg	40.4	40.4
 <b>EN 60704-1</b>	dB(A)	74.6	75
 <b>L<sub>WA</sub></b>	dB(A)	87.9	90
<b>Vibration ISO 5349</b>	m/s <sup>2</sup>	< 2.5	< 2.5
<b>Recoil forces</b>	N	28	35
	l	0.225	0.225
 <b>TYPE</b>	Agip Rotra 80W-90		

## Garantie standard de Graco

Graco garantit que tout le matériel mentionné dans le présent document et fabriqué par Graco et portant son nom est exempt de défaut matériel et de fabrication à la date de la vente à l'acheteur et utilisateur initial. Sauf garantie spéciale, élargie ou limitée, publiée par Graco, Graco réparera ou remplacera, pendant une période de douze mois à compter de la date de la vente, toute pièce de l'équipement jugée défectueuse par Graco.

Cette garantie s'applique uniquement si le matériel est installé, utilisé et entretenu conformément aux recommandations écrites de Graco. Cette garantie ne couvre pas, et Graco ne sera pas tenue responsable d'une détérioration générale, ou tout autre dysfonctionnement, dommage ou usure suite à une installation défectueuse, mauvaise application, abrasion, corrosion, maintenance inadéquate ou incorrecte, négligence, accident, manipulation ou substitution de pièces de composants ne portant pas la marque Graco. Graco ne saurait être tenue responsable en cas de dysfonctionnement, dommage ou usure dus à l'incompatibilité du matériel de Graco avec des structures, accessoires, équipements ou matériaux non fournis par Graco ou encore dus à un défaut de conception, de fabrication, d'installation, de fonctionnement ou d'entretien de structures, d'accessoires, d'équipements ou de matériaux non fournis par Graco.

Cette garantie s'applique à condition que le matériel objet de la réclamation soit retourné en port payé à un distributeur Graco agréé pour vérification de la défectuosité signalée. Si le défaut est reconnu, Graco réparera ou remplacera gratuitement toutes les pièces défectueuses. Le matériel sera retourné à l'acheteur d'origine en port payé. Si l'inspection du matériel ne révèle aucun défaut matériel ou de fabrication, les réparations seront effectuées à un coût raisonnable pouvant inclure le coût des pièces, de la main-d'oeuvre et du transport.

CETTE GARANTIE EST UNE GARANTIE EXCLUSIVE QUI REMPLACE TOUTE AUTRE GARANTIE, EX-PRESSE OU IMPLICITE, COMPRENANT, MAIS SANS S'Y LIMITER, UNE GARANTIE MARCHANDE OU UNE GARANTIE DE FINALITÉ PARTICULIÈRE.

La seule obligation de Graco et la seule voie de recours de l'acheteur pour toute violation de la garantie seront tels que définis ci-dessus. L'acheteur convient qu'aucun autre recours (pour, la liste n'ayant aucun caractère exhaustif, dommages indirects ou consécutifs que manque à gagner, perte de marché, dommages corporels ou matériels ou tout autre dommage indirect ou consécutif) ne sera possible. Toute action pour violation de la garantie doit être intentée dans les deux (2) ans à compter de la date de vente.

GRACO NE DONNE AUCUNE GARANTIE ET DÉCLINE TOUTES GARANTIES IMPLIQUÉES DE COMER-CIABILITÉ OU D'APTITUDE POUR UN USAGE PARTICULIER, EN LIAISON AVEC DES ACCESSOIRES, DES EQUIPEMENT, DES MATERIAUX OU DES COMPOSANTS VENDUS MAIS NON FABRIQUES PAR GRACO. Ces articles vendus, mais non fabriqués par Graco (tels que les moteurs électriques, commu-tateurs, flexibles, etc.) sont couverts par la garantie, s'il en existe une, de leur fabricant. Graco fournira à l'acheteur une assistance raisonnable pour toute réclamation faisant appel à ces garanties.

En aucun cas, Graco ne sera tenue responsable des dommages indirects, fortuits, spéciaux ou consécutifs résultant de la fourniture par Graco des équipements ci-dessus ou de la fourniture, de la performance ou de l'utilisation de tout produit ou autres biens vendus dans les présentes, qu'il soit dû à une violation de contrat ou violation de garantie, à la négligence de Graco, ou autrement.

**Graco reserves the right to make changes at any time without notice.**  
**Traduction du mode d'emploi d'origine. This manual contains French. MM 3A1490**  
**Graco Headquarters: Minneapolis**  
**International Offices: Belgium, China, Japan, Korea**  
**GRACO INC. P.O. BOX 1441 MINNEAPOLIS, MN 55440-1441**  
**www.graco.com**

# Inhoudsopgave

<b>1</b>	<b>Belangrijke veiligheidsinstructies .....</b>	<b>55</b>
	<i>Markering van aanwijzingen .....</i>	55
	<i>Waarschuwingen .....</i>	55
<b>2</b>	<b>Beschrijving .....</b>	<b>57</b>
	<i>Bedieningselementen .....</i>	57
	<i>Gebruiksaanwijzing .....</i>	58
	<i>Gebruiksdoeleinde .....</i>	58
	<i>Verdere ondersteuning .....</i>	58
	<i>Vóór gebruik .....</i>	58
<b>3</b>	<b>Vóór de inbedrijfstelling .....</b>	<b>59</b>
	<i>Opstelling .....</i>	59
	<i>Hogedrukslang aansluiten .....</i>	59
	<i>BA ventiel .....</i>	60
	<i>Montagehandleiding .....</i>	60
	<i>Onderhoud .....</i>	60
	<i>Waterslang aansluiten .....</i>	61
	<i>Elektrische aansluiting .....</i>	61
	<i>Verlengleidingen .....</i>	61
<b>4</b>	<b>Bediening / Bedrijf .....</b>	<b>62</b>
	<i>Spuittans op spuitpistool aansluiten .....</i>	62
	<i>Toestel inschakelen bij aansluiting op een waterleiding .....</i>	62
	<i>Toestel inschakelen bij aansluiting op een open reservoir (zuigbedrijf) .....</i>	62
	<i>Drukregeling met de Powerspeed Vario Plus-lans .....</i>	63
	<i>Drukregeling aan de FlexoPower Plus-sproeier .....</i>	63
	<i>Gebruik van reinigingsmiddelen .....</i>	63
<b>5</b>	<b>Toepassingsgebieden en arbeidsmethoden .....</b>	<b>64</b>
	<i>Algemene aanmerkingen .....</i>	64
	<i>Inweken .....</i>	64
	<i>Reinigingsmiddel en schuim aanbrengen .....</i>	64
	<i>Temperatuur .....</i>	64
	<i>Mechanische inwerking .....</i>	64
	<i>Grote watercapaciteit en hoge druk .....</i>	64
<b>6</b>	<b>Na de arbeid .....</b>	<b>65</b>
	<i>Toestel uitschakelen .....</i>	65
	<i>Oprollen van het netsnoer alsook de hogedrukslang en verstouwen van toebehoren .....</i>	65
	<i>Opslag .....</i>	65
	<i>Bewaring van de machine (vorstbestendige bewaring) .....</i>	65
<b>7</b>	<b>Eliminatie van storingen .....</b>	<b>66</b>
<b>8</b>	<b>Varia .....</b>	<b>67</b>
	<i>Transport .....</i>	67
	<i>Reparatie en onderhoud .....</i>	67
	<i>Machine voor recycling beschikbaar maken .....</i>	67
	<i>Garantie .....</i>	67
	<i>EG-Verklaring van overeenstemming .....</i>	68
	<i>Technische gegevens .....</i>	69
	<i>Standaardgarantie van Graco .....</i>	70

# 1 Belangrijke veiligheidsinstructies

## Markering van aanwijzingen

### GEVAAR

Gevaar dat onmiddellijk tot zware en irreversibele verwondingen of tot de dood leidt.

### WAARSCHUWING

Gevaar dat tot zware verwondingen of tot de dood kan leiden.

### VOORZICHTIG

Gevaar dat tot lichte verwondingen of materiële schade kan leiden.

## Waarschuwingen

### WAARSCHUWING

- Iedere werkwijze die een gevaar zou kunnen opleveren voor de veiligheid is verboden.
- De stofzuiger mag niet worden gebruikt, wanneer het elektrisch snoer of de stekker is beschadigd. Controleer het snoer en de stekker regelmatig op schade. Eventuele schade dient u te laten herstellen door GRACO.
- Pak het snoer of de stekker niet beet met natte of vochtige handen.
- Dit apparaat mag alleen gebruikt worden met schoonmaakmiddelen die zijn aanbevolen door GRACO. Andere schoonmaakmiddelen kunnen een negatieve invloed hebben op de veiligheid van het apparaat.
- Explosiegevaar – Gebruik de reiniger niet om ontvlambare vloeistoffen mee te spuiten.



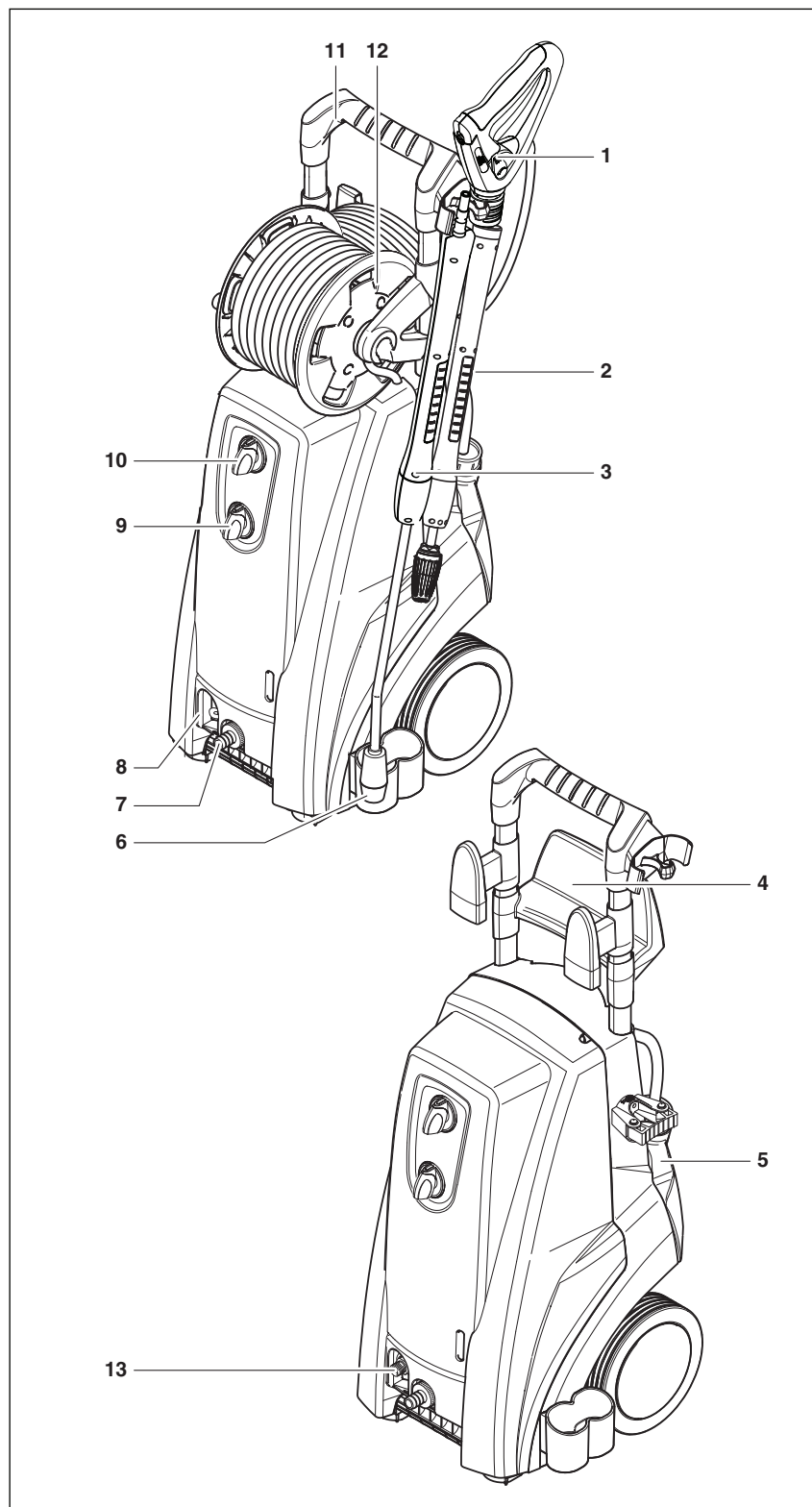
### VOORZICHTIG

- Hogedrukspuiten kunnen gevaarlijk zijn. Richt de waterspuit nooit op personen, huisdieren, onder stroom staande apparatuur of het apparaat zelf.
- Probeer nooit kleding of schoeisel op u zelf of andere personen te reinigen.
- De gebruiker en iedereen in de onmiddellijke nabijheid van de reinigingsplaats moeten zichzelf beschermen tegen rondvliegende deeltjes die tijdens het gebruik kunnen losraken. Draag tijdens het gebruik een veiligheidsbril.
- Dek het apparaat tijdens het gebruik niet af.
- Gebruik het apparaat nooit in een omgeving met ontploffingsgevaar. Neem bij twijfel contact op met de plaatselijke autoriteiten.
- Het is niet toegestaan asbesthoudende oppervlakken onder hoge druk te reinigen.
- Het is niet toegestaan asbesthoudende oppervlakken onder hoge druk te reinigen.
- Gebruik alleen de brandstof die gespecificeerd is. Het gebruik van incorrecte brandstof kan leiden tot ernstige gevaren.
- Tijdens het bedrijf van de machine treden aan de spuitinrichting terugslagkrachten op.
- Indien de spuitlans schuin staat, treedt er bovendien een draaimoment op. Houdt u daarom de spuitinrichting met beide handen vast.
- Controleer of van het te reinigen object gevaarlijke stoffen zoals b.v. asbest en olie kunnen losraken en het milieu kunnen vervuilen.
- Gevoelige delen van rubber, stof en dergelijke niet met de puntstraal reinigen. Bij het reinigen op voldoende afstand tussen de hogedruksproeier en het oppervlak letten om een beschadiging van het te reinigen oppervlak te vermijden.
- Neem de machine nooit zonder water in gebruik. Zelfs een kortstondig gebrek aan water kan tot ernstige beschadigingen van de pompmanchetten leiden.
- Elke werkwijze die gevaarlijk kan zijn voor de veiligheid dient te worden nagelaten.
- Laat de spuitkop niet open staan door deze vast te binden.

## 2 Beschrijving

### Bedieningselementen

- |  |                                    |
|--|------------------------------------|
| 1. Spuitpistool                          | 8. Watertoevoer naar slangenhaspel |
| 2. Elektrisch netsnoer                   | 9. Hoofdschakelaar                 |
| 3. Spuitlans                             | 10. Reinigingsmiddeldosering       |
| 4. Houder voor netsnoer                  | 11. Duwbeugel                      |
| 5. Reinigingsmiddeltank                  | 12. Slanghaspel <sup>1)</sup>      |
| 6. Spuitlansoplegdeel                    | 13. Hogedrukslangaansluiting       |
| 7. Wateraansluiting en waterinlaatfilter |                                    |



<sup>1)</sup> Speciaal toebehoren voor de verschillende uitvoeringen  
Vertaling van de originele gebruiksaanwijzing

## Gebruiksaanwijzing



Vooraleer u het toestel in bedrijf stelt, moet u in elk geval dit document doorlezen en het binnen handbereik bewaren.

Voor het bedienen van de machine gelden de ter plaatse van toepassing zijnde nationale bepalingen.

Behalve de gebruiksaanwijzing voor het bedrijf en de in het land van gebruik geldende bindende regels t.a.v. het voorkomen van ongevallen dienen ook de algemeen erkende vaktechnische regels m.b.t. het veilig en vakkundig werken in acht te worden genomen.

## Gebruiksdoeleinde

De hogedrukreiniger is ontworpen voor professionele doeleinden. De machine kan gebruikt worden voor het reinigen van landbouw- en bouwapparatuur, stallen, voertuigen, roestige oppervlakken enz.

De reiniger is niet goedgekeurd voor het reinigen van oppervlakken die in aanraking komen met levensmiddelen.

Ieder verdergaand gebruik geldt als nietreglementair. Voor schade als gevolg van niet-reglementair gebruik is de fabrikant niet aansprakelijk. Tot het reglementaire gebruik behoort ook dat de door de fabrikant voorgeschreven bedrijfs-, onderhouds- en reparatievoorwaarden worden nageleefd.

## Verdere ondersteuning

Voor verdere vragen wendt u zich tot de voor uw land bevoegde GRACO-service.

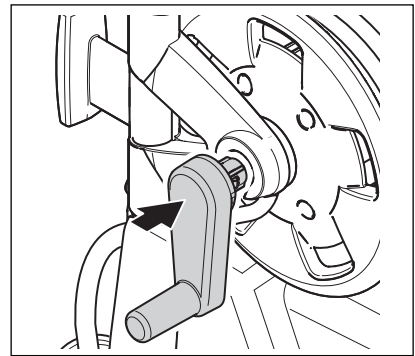
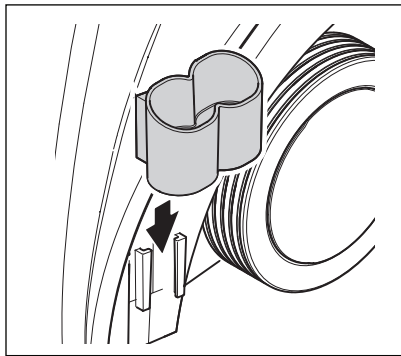
## Vóór gebruik

Controleer het apparaat op defecten voordat u het in gebruik neemt.



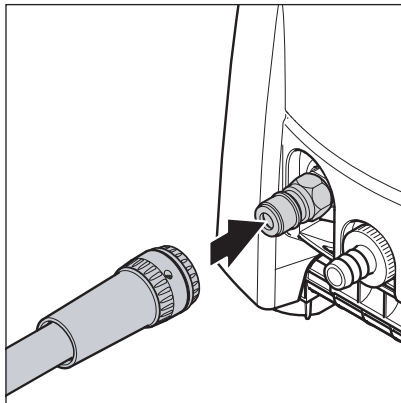
# 3 Vóór de inbedrijfstelling

## Opstelling

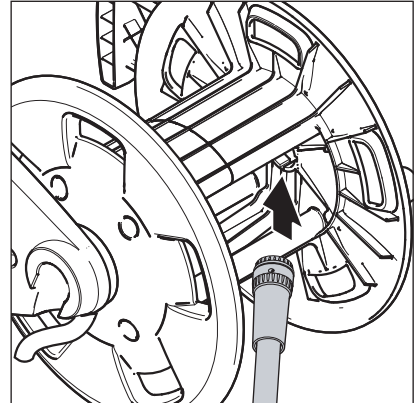


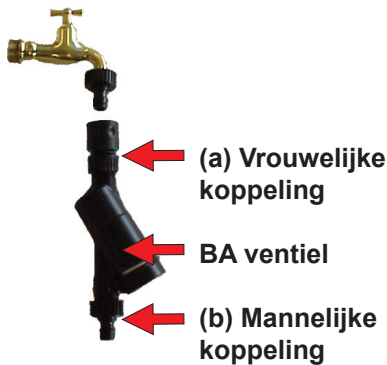
## Hogedrukslang aansluiten

Toestellen zonder slanghaspel.



Toestellen met slanghaspel.



**BA ventiel**

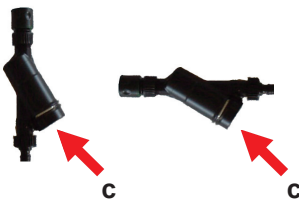
Deze hogedrukreiniger mag alleen aangesloten worden op het drinkwaternet als een geschikte terugstroombeveiliging is geïnstalleerd, van type BA volgens EN 1717.

Het BA ventiel kan worden besteld onder nummer:

- BA ventiel inclusief GARDENA-koppelingen: 106411177
- BA ventiel inclusief NITO-koppelingen: 106411178
- BA ventiel inclusief GEKA-koppelingen: 106411179
- BA ventiel zonder koppelingen: 106411184

De koppelingen kunnen worden besteld onder nummer:

- 3/4" GARDENA (a): 32541
- 3/4" GARDENA (b): 1608629
- 3/4" NITO (a): 1602945
- 3/4" NITO (b): 1600659
- 1/2" NITO (b): 1604669
- 3/4" GEKA (a): 1718
- 3/4" GEKA (b): 1311

**Montagehandleiding**

1. Monteer een mannelijke koppeling op de kraan:
2. Sluit (a) aan op het BA ventiel naar de kraan.
3. Monteer een vrouwelijke koppeling op de watertoevoerslang.
4. Sluit (b) aan op het BA ventiel naar de watertoevoerslang.
5. Sluit de watertoevoerslang aan op de hogedrukreiniger.
6. Draai de kraan open en start de machine.

**VOORZICHTIG**

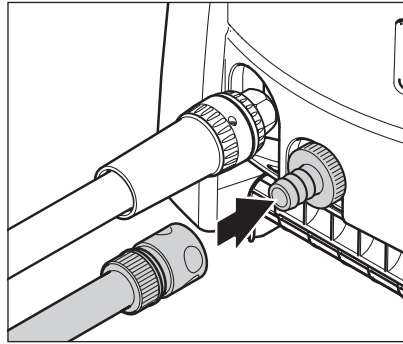
- De terugstroombeveiliging kan verticaal of horizontaal worden gemonteerd en de aftapopening (c) moet naar beneden gericht gemonteerd worden.
- Water dat uit de aftapopening (c) stroomt, moet ongehinderd kunnen stromen.
- Indien er kans is op zand in het inlaatwater (bijv. uit uw eigen waterbron), dient er een aanvullend filter te worden geplaatst tussen de kraan en de terugstroombeveiliging.
- De lengte van de slang tussen de terugstroombeveiliging en de hogedrukreiniger moet minimaal 12 meter zijn (min. doorsnee 3/4 inch) om de mogelijke drukpieken te kunnen absorberen.
- Zodra het water door het BA-ventiel is gestroomd, is het niet langer geschikt als drinkwater.
- Bescherm de terugstroombeveiliging tegen vorst.
- Hou de terugstroombeveiliging schoon en vrij van modder.

**Onderhoud**

De werking minstens een keer per jaar controleren:

1. Na de werkzaamheden de hogedrukreiniger uit zetten.
2. De tapkraan sluiten.
3. De druk in de waterslang verminderen door het spuitpistool te openen.
4. De terugstroombeveiliging demonteren. Het water moet uit de aftapopening (c) komen (max. 100 ml) om scheiding van het drinkwater te verzekeren.
5. Als dit niet het geval is, probeer dan het BA ventiel te reinigen of neem contact op met uw GRACO vertegenwoordiger.

## Waterslang aansluiten



1. De waterslang vóór de aansluiting op het toestel kort met water spoelen opdat zand en andere vuilpartikelen niet in het toestel kunnen geraken.
2. De waterslang met de snelkoppeling op de wateraansluiting aansluiten.
3. De waterkraan openen.

### VOORZICHTIG

- Bij slechte waterkwaliteit (spoelzand enz.) bevelen wij aan dat een waterfijnfilter in de watertoevoer wordt gemonteerd.
- Voor het aansluiten van het toestel een met weefsel versterkte waterslang met een nominale breedte van tenminste 3/4" (19 mm) gebruiken.

## Elektrische aansluiting



Bij toestellen met spanningsomschakeling<sup>1)</sup> in elk geval erop letten dat de correcte netspanning aan het toestel ingesteld is vooraleer de netstekker in het stopcontact wordt gestoken. Anders kunnen de elektrische componenten van het toestel vernietigd worden.

### VOORZICHTIG

- Respecteer de volgende punten wanneer u de hogedrukreiniger op het lichtnet aansluit:
- De elektrische installatie moet door een erkend elektricien worden uitgevoerd.
- Volgens IEC-60364-1 is het ten zeerste aan te raden dat de elektriciteitstoevoer naar deze machine beschikt over een extra stroomapparatuur (GFCI)
- Elke werkwijze die gevaarlijk kan zijn voor de veiligheid dient te worden nagelaten.
- Laat de spuitkop niet open staan door deze vast te binden.

## Verlengleidingen

Als verlengsnoer alleen de door de producent aangegeven of een hoogwaardigere uitvoering gebruiken.

Bij gebruik van een verlengsnoer op de minimumdiameter van het snoer letten:

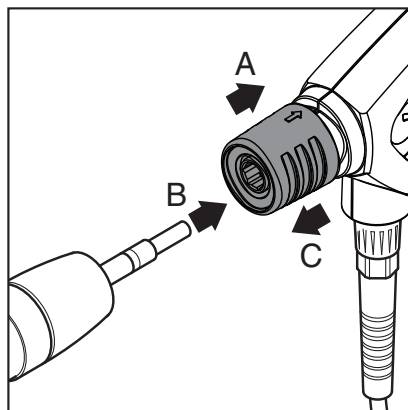
Kabellengte	Diameter	
	< 16 A	< 25 A
Tot 20 m	1.5 mm <sup>2</sup>	2.5 mm <sup>2</sup>
20 tot 50 m	2.5 mm <sup>2</sup>	4.0 mm <sup>2</sup>

### VOORZICHTIG

- Bij gebruik van kabeltrommels: Wegens oververhittings- en brandgevaar de aansluitingsleiding steeds helemaal afwikkelen.
- Snoeraansluitingen moeten droog zijn en mogen zic.

## 4 Bediening / Bedrijf

### Spuitlans op spuitpistool aansluiten

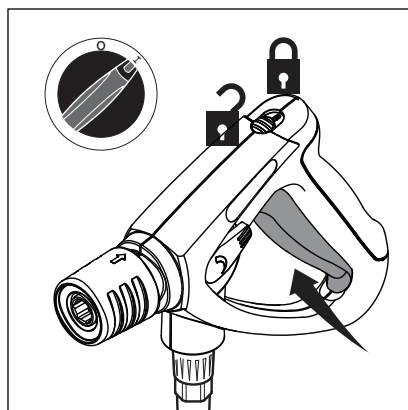


1. Trek de blauwe snelkoppeling (A) van het spuitpistool naar achteren.
2. Duw de nippel van de spuitlans (B) in de snelkoppeling en laat deze los.
3. Trek de spuitlans (of een ander hulpstuk) naar voren om te controleren of deze stevig vastzit op het spuitpistool.

#### VOORZICHTIG

Steeds vuil van de nippel verwijderen vooraleer de spuitlans met het spuitpistool wordt verbonden.

### Toestel inschakelen bij aansluiting op een waterleiding

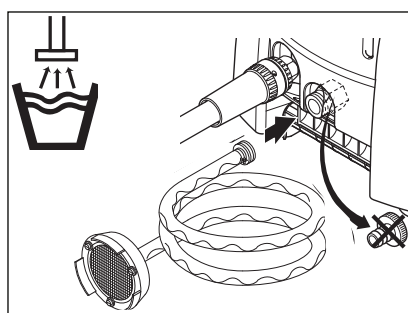


1. De hoofdschakelaar in de stand "I" brengen.
2. De spuitpistool ontgrendelen en activeren.
3. De veiligheidsgrendel ook bij korte arbeidsonderbrekingen aanbrengen.

#### VOORZICHTIG

Voor het ontluchten van het systeem in korte intervallen de spuitpistool meermaals activeren.

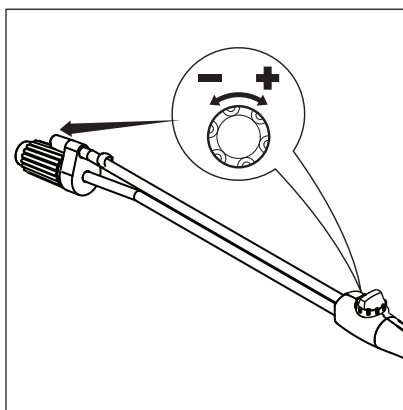
### Toestel inschakelen bij aansluiting op een open reservoir (zuigbedrijf)



1. De GRACO-zuigset vóór de aansluiting op het toestel met water vullen.
2. De hoofdschakelaar in de stand "I" brengen.
3. De spuitpistool ontgrendelen en activeren.

Max. aanzuighoogte (gevoed) = 1 m.

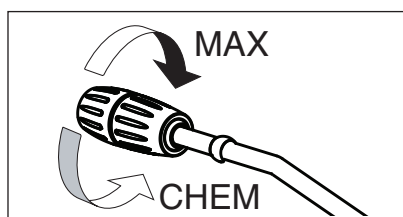
### Drukregeling met de Powerspeed Vario Plus-lans



Draaiknop aan de spuitinrichting draaien:

- hoge druk = in de richting van de wijzers van de klok (+)
- lage druk = tegen de richting van de wijzers van de klok (-)

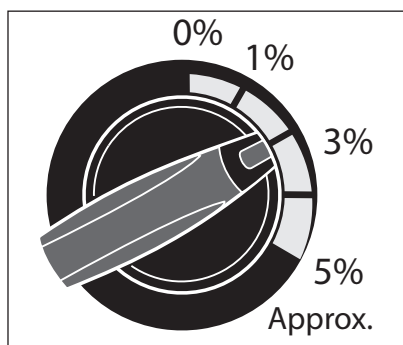
### Drukregeling aan de FlexoPower Plus-sproeier



De huls van de **FlexoPower Plus**-sproeier draaien:

- hoge druk = MAX.
- lage druk = MIN.(CHEM)

### Gebruik van reinigingsmiddelen



aangezogen via de injector, die tot de standaarduitrusting behoort:

1. Het reinigingsmiddel volgens de voorschriften van de producent voorverdunnen.
2. Stel de drukregeling in op lage druk.
3. De gewenste reinigingsmiddelhoeveelheid instellen door aan de doseerklep te draaien.
4. De hoofdschakelaar in de stand "I" brengen.
5. De spuitpistool activeren.

Slechts bij lage-druk-bedrijf kunnen reinigingsmiddelen worden

#### VOORZICHTIG

Reinigingsmiddelen mogen niet opdrogen. Het te reinigen oppervlak zou anders beschadigd kunnen worden.

# 5 Toepassingsgebieden en arbeidsmethoden

## Algemene aanmerkingen

Een efficiënte hogedrukreiniging wordt bereikt door het naleven van enkele richtlijnen gecombineerd met uw eigen ervaringen op speciale gebieden. Toebehoren en reinigingsmiddelen kunnen het reinigingseffect versterken als ze correct worden gebruikt. Hierna volgen enkele principiële instructies.

## Inweken

Verkorste en dikke lagen vuil kunnen worden losgemaakt of losgeweekt als deze een tijdje worden ingeweekt. Een ideale methode vooral in de landbouwsector – b.v. in varkensstallen. Het beste effect wordt bereikt door het gebruik van schuimreinigers en alkalische reinigers. Het oppervlak met de reinigingsmiddel-oplossing insproeien en 30 minuten laten inwerken. Daarna kan er wezenlijk sneller met de hogedrukstraal worden gereinigd.

## Reinigingsmiddel en schuim aanbrengen

Reinigingsmiddel en schuim dienen op het droge oppervlak te worden gespoten opdat het reinigingsmiddel zonder verdere verdunning met het schuim in contact komt. Aan verticale vlakken van beneden naar boven te werk gaan om slierten te vermijden als de reinigingsmiddeloplossing uitloopt. Enkele minuten laten inwerken alvorens met de hogedrukstraal wordt gereinigd. Reinigingsmiddel niet laten opdrogen.

## Temperatuur

Het reinigingseffect wordt bij hogere temperaturen versterkt. Vooral vetten en oliën kunnen gemakkelijker en sneller worden losgemaakt. Proteïnes kunnen bij temperaturen van 60°C het best worden losgemaakt, oliën en vetten bij 70°C tot 90°C.

## Mechanische inwerking

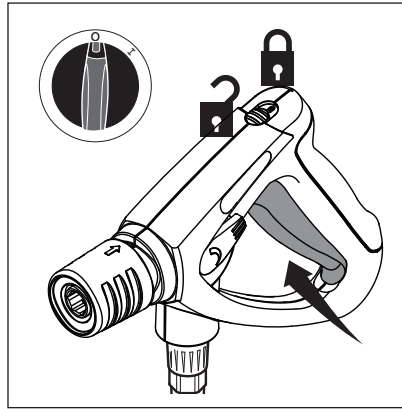
Om sterke lagen vuil los te maken wordt bovendien een mechanische inwerking noodzakelijk. Speciale spuitlansen en (roterende) wasborsels bieden het beste effect om de laag vuil los te maken.

## Grote watercapaciteit en hoge druk

Grote watercapaciteit en hoge druk Hoge druk is niet altijd de beste oplossing en te hoge druk kan oppervlakken beschadigen. Het reinigingseffect hangt eveneens van de watercapaciteit af. Een druk van 100 bar is voor de voertuigreiniging voldoende (gecombineerd met warm water). Door een grotere watercapaciteit is het mogelijk het losgemaakte vuil af te spoelen en weg te transporteren.

## 6 Na de arbeid

### Toestel uitschakelen



1. De hoofdschakelaar uitschakelen, de schakelaar in de positie "OFF".
2. De waterkraan sluiten.
3. De spuitpistool activeren tot het toestel drukloos is.
4. De veiligheidsgrendel aan de spuitpistool inleggen.

### Oprollen van het netsnoer alsook de hogedrukslang en verstouwen van toebehoren

1. Het netsnoer oprollen.
2. De hogedrukslang oprollen .
3. De spuitlans en het toebehoren in de houders leggen.

#### VOORZICHTIG

Kantelgevaar. Om ongelukken te voorkomen dienen de stroomkabel en de slang altijd zorgvuldig opgerold te worden.

### Opslag

Toestel droog en vorstbestendig opslaan.

### Bewaring van de machine (vorstbestendige bewaring)

Wordt de hogedrukreiniger in een ruimte bewaard, waarin temperaturen van rond 0°C of minder optreden, moet van te voren antivriesmiddel door de pomp worden aangezogen:

1. Watertoevoerslang van het toestel losmaken.
2. Spuitlans verwijderen.
3. Toestel inschakelen, schakelstand "I".
4. Sluit een korte zuigslang aan op de watertoevoer van de reiniger en plaats het andere uiteinde in een tank met antivries.
5. Toestel inschakelen, schakelstand "I".
6. Spuitpistool boven het reservoir met antivriesmiddel houden en activeren om het aanzuigsproces te starten.
7. Tijdens het aanzuigproces spuitpistool 2 tot 3 keer activeren.
8. Aanzuigslang uit het reservoir met het antivriesmiddel heffen en spuitpistool activeren om het resterende antivriesmiddel af te pompen.
9. Toestel uitschakelen.

#### VOORZICHTIG

- Om elk risico te vermijden moet het toestel vóór de herinbedrijfstelling indien mogelijk in een verwarmde ruimte tijdelijk worden opgeslagen.
- Probeer nooit een bevroren apparaat te starten.

## 7 Eliminatie van storingen

Storing	Oorzaak	Eliminatie
Drukdaling	<ul style="list-style-type: none"> <li>Lucht in het systeem</li> <li>HD-sproeier verstopt/versleten</li> <li>Reinigingsmiddeltank leeg</li> </ul>	<ul style="list-style-type: none"> <li>Systeem ontluichten, daartoe spuitpistool in korte intervallen meermaals activeren, evtl. machine zonder aangesloten hogedrukslang kort in bedrijf stellen.</li> <li>HD-sproeier reinigen/vervangen</li> <li>Reinigingsmiddeltank opvullen of doseerklep in stand „0“ brengen.</li> </ul>
Drukschommelingen	<ul style="list-style-type: none"> <li>Pomp zuigt lucht aan (alleen maar mogelijk in de zuigmodus)</li> <li>Watergebrek</li> <li>Watertoevoerslang te lang resp. te geringe doorsnede</li> <li>Watergebrek door verstopte waterfilter</li> <li>Watergebrek door het niet naleven van de max. toegelaten aanzuighoogte</li> </ul>	<ul style="list-style-type: none"> <li>Luchtdichtheid van het zuigset controleren</li> <li>Waterkraan openen</li> <li>Voorgescreven watertoevoerslang gebruiken</li> <li>Waterfilter in de wateraansluiting reinigen (nooit zonder waterfilter werken!)</li> <li>Zie inbedrijfstelling</li> </ul>
Bij het inschakelen start de motor niet	<ul style="list-style-type: none"> <li>Stekker is niet correct ingestoken, stroomonderbreking</li> </ul>	<ul style="list-style-type: none"> <li>Stekker, leiding en schakelaar controleren en eventueel door een elektromonteur laten vervangen</li> </ul>
Motor bromt bij het inschakelen zonder te starten	<ul style="list-style-type: none"> <li>Netzekering is uitgeschakeld</li> <li>Netspanning is te laag of fase-uitval</li> <li>Pomp is geblokkeerd of vastgevroren</li> <li>Verkeerde doorsnede of lengte van het verlengsnoer</li> </ul>	<ul style="list-style-type: none"> <li>Netzekering inschakelen</li> <li>Elektrische aansluiting laten controleren</li> <li>Ito-klantenservice contacteren</li> </ul>
Motor wordt uitgeschakeld	<ul style="list-style-type: none"> <li>Overbelastingsbeveiliging geactiveerd wegens oververhitting of overbelasting van de motor</li> </ul>	<ul style="list-style-type: none"> <li>Juiste kabeldoorsnede resp. -lengte gebruiken.</li> <li>Laten controleren of voedende spanning en toetselspanning overeenkomen. Uitschakelen en tenminste 3 minuten laten afkoelen.</li> </ul>
Reinigingsmiddelen blijven uit	<ul style="list-style-type: none"> <li>Hogedruksproeier vuil</li> <li>Injector vuil of zuigslang verstopt</li> <li>Reinigingsmiddelreservoir leeg</li> <li>Draaiknop aan de spuitlans niet op lage druk ingesteld</li> </ul>	<ul style="list-style-type: none"> <li>Hogedruksproeier vervangen</li> <li>Reinigen</li> <li>Reinigingsmiddelreservoir opvullen</li> <li>Draaiknop aan de spuitlans tegen de richting van de wijzers van de klok tot op de aanslag draaien.</li> </ul>



## 8 Varia

### Transport

Voor het veilig transport in en op voertuigen bevelen wij aan dat het toestel met banden goed wordt bevestigd om te verhinderen dat het kipt of slipt.

Transport in liggende positie:

- Het toestel niet op de zijde met de aansluitingen kippen of leggen.
- De zuigslang uit de reiningsmiddeltank nemen en de tank met het meegeleverde deksel sluiten.
- Vóór het inschakelen van het toestel erop letten dat de olie uit de olietank in het pomphuis teruggevloeid is. De oliestand controleren en indien nodig olie bijvullen.

Als het toestel en het toebehoren bij temperaturen van rond of onder 0°C worden getransporteerd, bevelen wij het gebruik aan van antivriesmiddelen overeenkomstig hoofdstuk 5.

### Reparatie en onderhoud

Verwijder altijd de stekker uit het stopcontact voordat u onderhoud aan het apparaat vericht.

### Machine voor recycling beschikbaar maken

Het uitgediende toestel on-middellijk onbruikbaar maken.

1. De netstekker uittrekken.
2. De aansluitkabel doorknippen.
3. Gooi elektrische toestellen nooit in het huisvuil.



Overeenkomstig de Europese Richtlijn 2002/96/EG inzake Elektrische en Elektronische Uitgediende Toestellen moeten uitgediende elektrische toestellen separaat verzameld en voor recycling ter beschikking gesteld worden.

### Garantie

Voor garantie en vrijwaring gelden onze algemene handelsvoorwaarden.

Veranderingen in het kader van technische vernieuwingen voorbehouden.

## EG-Verklaring van overeenstemming



# EC-DECLARATION OF CONFORMITY

EG-VERKLARING VAN OVEREENSTEMMING, DÉCLARATION DE CONFORMITÉ CE, EG-KONFORMITÄTSEKTLÄRUNG, DICHIARAZIONE DI CONFORMITÀ CE, EF-OVERENSSTEMMELSESERKLÆRING, ΕΚ-ΔΗΛΩΣΗ ΣΥΜΜΟΡΦΩΣΗΣ, DECLARAÇÃO DE CONFORMIDADE - CE, DECLARACIÓN DE CONFORMIDAD DE LA CE, EY-VAATIMUSTENMUKAISUUSVAKUUTUS, EG-DEKLARATION OM ÖVERENSSTÄMMELSE, ES PROHLÁŠENÍ O SHODĚ, EŪ VASTAVUSDEKLARATSIOON, EC MEGFEIELŐSÉGI NYILATKOZAT, EK ATBILSTĪBAS DEKLARĀCIJA, ES ATĪTIKTĪES DEKLARĀCIJA, DEKLARACJA ZGODNOŚCI UE, DIKJARAZZJONI-KE TA' KONFORMITA', IZJAVA ES O SKLADNOSTI, ES - VYHLÁŠENIE O ZHODE, ΕΟ-ΔΕΚΛΑΡΑCΙΑ ΖΑ CŪΒΜΕCΤΙΜΟCΤ, DEIMHNIŪ COMHREIREACHTA CE, CE-DECLARAȚIE DE CONFORMITATE

## Model

Modèle, Modell, Modello, Μοντέλο, Modelo, Malli, Mudel, Modelis, Mudell, Модел, Samhail

AquaMax 2330E, 2335E

## Part

Bestelnr., Type, Teil, Codice, Del, Μέρος, Peça, Referencia, Osa, Součást, Részegység, Daja, Dalis, Część, Taqsim, Čast', Част', Páirt, Parte

287428, 287429

## Complies With The EC Directives:

Voldoet aan de EG-richtlijnen, Conforme aux directives CE, Entspricht den EG-Richtlinien, Conforme alle direttive CE, Overholder EF-direktiverne, Σύμφωνα με τις Οδηγίες της ΕΚ, Em conformidade com as Directivas CE, Cumple las directivas de la CE, Täyttää EY-direktiivien vaatimukset, Uppfyller EG-direktiven, Shoda se směrnicemi ES, Vastab EŪ direktiividele, Kielégíti az EK irányelvek követelményeit, Atbilst EK direktīvām, Atitinka šias ES direktyvas, Zgodność z Dyrektywami UE, Konformi mad-Direttivi tal-KE, V skladu z direktivami ES, Je v súlade so smernicami ES, Съвместимост с Директиви на ΕΟ, Tá ag teacht le Treoracha an CE, Respectă directivele CE

2006/42/EC Machine Directive

2006/95/EC Low Voltage Directive

2004/108/EC EMC Directive

## Standards Used:

Gebruikte maatstaven, Normes respectées, Verwendete Normen, Norme applicate, Anvendte standarder, Πρότυπα που χρησιμοποιήθηκαν, Normas utilizadas, Normas aplicadas, Sovellettavat standardit, Tillämpade standarder, Použité normy, Rakendatud standardid, Alkalmazott szabványok, Izmantotie standarti, Taikyti standartai, Użyte normy, Standards Uzati, Uporabljeni standardi, Použité normy, Използвани стандарти, Caighdeán arna n-úsáid, Standarde utilizate

EN 12100, EN 60335-2-79, EN 55014-1, EN 55014-2, EN 61000-3-2, DIN EN 60335-2-79

## Notified Body for Directive

Aangemelde instantie voor richtlijn, Organisme notifié pour la directive, Benannte Stelle für diese Richtlinie, Ente certificatore della direttiva, Bemyndiget organ for direktiv, Διακοινυμένο όργανο Οδηγίας, Organismo notificado relativamente à directiva, Organismo notificado de la directiva, Direktiivin mukaisesti ilmoitettu tarkastuslaitos, Anmält organ för direktivet, Úředně oznámený orgán pro směrnici, Teavitatud asutus (direktiivi järgi), Az irányelvvél kapcsolatban értesített testület, Pilnvarotā iestāde saskaņā ar direktīvu, Apie direktīvu Informuota institūcija, Ciało powiadomione dla Dyrektywy, Korp avzat bid-Direttiva, Priglašeni organ za direktivo, Notifikovaný orgán pre smernicu, Нотифициран орган за Директива, Comhlacht ar tugadh fógra dó, Organism notificat în conformitate cu directiva

--	--	--	--

## Approved By:

Goedgekeurd door, Approuvé par, Genehmigt von, Approvato da, Godkendt af, Έγκριση από, Aprovado por, Aprobado por, Hyväksynyt, Intygav av, Schwäilit, Kinnitanud, Jóváhagyta, Apstiprināts, Patvirtino, Zatwierdzone przez, Approvat minn, Dobril, Schválené, Одобрено от, Faofa ag, Aprobat de

Hans van Cranenbroek

Manufacturing, Engineering and Warehousing Manager

10 JANUARY 2011


















Manufactured By:  
GRACO INC.  
88 - 11<sup>th</sup> Avenue N.E.  
Minneapolis, MN 55413  
USA

Authorized Representative:  
GRACO N.V.  
Slakweidestraat 31  
3630 Maasmechelen  
BELGIUM

199382

A

## Technische gegevens

		AquaMax 2330E	AquaMax 2335E
	V/Ph/Hz	230/1/50	400/3/50
	A	16	10
	kW	3.3	4.2
<b>I</b>	A	15	7.6
		IP X5	IP X5
	bar/MPa	160/16	160/16
	bar/MPa	200/20	200/20
	l/h	560	700
	l/h	620	760
<b>Cleaning Impact</b>	kg/Force	3.0	3.6
		0350	0475
	°C	50	50
	bar / MPa	10/1	10/1
	mm	450 x 380 x 1040	450 x 380 x 1040
	kg	40.4	40.4
 <b>EN 60704-1</b>	dB(A)	74.6	75
 <b>L<sub>WA</sub></b>	dB(A)	87.9	90
<b>Vibration ISO 5349</b>	m/s <sup>2</sup>	< 2.5	< 2.5
<b>Recoil forces</b>	N	28	35
	l	0.225	0.225
 <b>TYPE</b>	Agip Rotra 80W-90		

## Standaardgarantie van Graco

Graco garandeert dat alle in dit document genoemde en door Graco vervaardigde apparatuur waarop de naam Graco vermeld staat, op de datum van verkoop voor gebruik door de oorspronkelijke koper vrij is van materiaal- en fabricagefouten. Met uitzondering van speciale, uitgebreide, of beperkte garantie zoals gepubliceerd door Graco, zal Graco, gedurende een periode van twaalf maanden na verkoopdatum, elk onderdeel van de apparatuur dat naar het oordeel van Graco gebreken vertoont, herstellen of vervangen. Deze garantie is alleen van toepassing op voorwaarde dat de apparatuur conform de schriftelijke aanbevelingen van Graco geïnstalleerd, bediend en onderhouden werd.

Normale slijtage en veroudering, of slecht functioneren, beschadiging of slijtage veroorzaakt door onjuiste installatie, verkeerde toepassing, slijpend materiaal, corrosie, onvoldoende of onjuist uitgevoerd onderhoud, nalatigheid, ongeval, eigenmachtige wijzigingen aan de apparatuur, of het vervangen van Graco-onderdelen door onderdelen van andere herkomst, vallen niet onder de garantie en Graco is daarvoor niet aansprakelijk. Graco is ook niet aansprakelijk voor slecht functioneren, beschadiging of slijtage veroorzaakt door de onverenigbaarheid van

Graco-apparatuur met constructies, toebehoren, apparatuur of materialen die niet door Graco geleverd zijn, en ook niet voor fouten in het ontwerp, bij de fabricage of het onderhoud van constructies, toebehoren, apparatuur of materialen die niet door Graco geleverd zijn. Deze garantie wordt verleend onder de voorwaarde dat de apparatuur waarvan de koper stelt dat die een defect vertoont, gefrankeerd wordt verzonden naar een erkende Graco dealer opdat de aanwezigheid van het beweerde defect kan worden geverifieerd. Indien het beweerde defect inderdaad wordt vastgesteld, zal Graco de defecte onderdelen kosteloos herstellen of vervangen. De apparatuur zal gefrankeerd worden teruggezonden naar de oorspronkelijke koper. Indien bij de inspectie geen materiaal- of fabricagefouten worden geconstateerd, dan zullen de herstellingen worden uitgevoerd tegen een redelijke vergoeding, in welke vergoeding de kosten van onderdelen, arbeid en vervoer begrepen kunnen zijn.

DEZE GARANTIE IS EXCLUSIEF, EN TREEDT IN DE PLAATS VAN ENIGE ANDERE GARANTIE, UITDRUKKELIJK OF IMPLICIET, DAARONDER MEDEBEGREPEN MAAR NIET BEPERKT TOT GARANTIES BETREFFENDE VERKOOPBAARHEID OF GESCHIKTHEID VOOR EEN BEPAALDE TOEPASSING.

De enige verplichting van Graco en het enige verhaal van de klant bij schending van de garantie is zoals hierboven bepaald is. De koper gaat ermee akkoord dat geen andere verhaalsmogelijkheid (daarin medebegrepen, maar niet beperkt tot vergoeding van incidentele schade of van vervolgschade door winstderving, gemiste verkoopopbrengsten, letsel aan personen of materiële schade, of welke andere incidentele verliezen of vervolgv verliezen dan ook) aanwezig is. Elke klacht wegens inbreuk op de garantie moet binnen twee (2) jaar na aankoopdatum kenbaar worden gemaakt.

GRACO GEEFT GEEN GARANTIE EN WIJST ELKE IMPLICIETE GARANTIE AF BETREFFENDE VERKOOPBAARHEID OF GESCHIKTHEID VOOR EEN BEPAALDE TOEPASSING, MET BETREKKING TOT TOEBEHOREN, APPARATUUR, MATERIALEN OF COMPONENTEN DIE GRACO GELEVERD, MAAR NIET VERVAARDIGD HEEFT. Deze items, die verkocht, maar niet vervaardigd worden door Graco (zoals elektrische motoren, schakelaren, slangen, etc.) zijn, indien van toepassing, onderhevig aan de garantie van de fabrikant. Graco zal aan de koper redelijke ondersteuning verlenen bij het aanspraak maken op die garantie.

Graco is in geen geval aansprakelijk voor indirecte, incidentele of speciale schade of gevolgschade die het gevolg is van het feit dat Graco zulke apparatuur heeft geleverd, of van de uitrusting, de werking, of het gebruik van producten of andere goederen op deze wijze verkocht, ongeacht of die ontstaat door inbreuk op een contract, inbreuk op garantie, nalatigheid van Graco, of anderszins.

**Graco reserves the right to make changes at any time without notice.**

**Vertaling van de originele gebruiksaanwijzing. This manual contains Dutch. MM 3A1490**

**Graco Headquarters:** Minneapolis

**International Offices:** Belgium, China, Japan, Korea

**GRACO INC. P.O. BOX 1441 MINNEAPOLIS, MN 55440-1441**

**[www.graco.com](http://www.graco.com)**

# Indice

<b>1</b>	<b>Avvertenze importanti per la sicurezza.....</b>	<b>72</b>
	<i>Raffigurazioni di indicazione .....</i>	<i>72</i>
	<i>Avvertenze.....</i>	<i>72</i>
<b>2</b>	<b>Descrizione .....</b>	<b>74</b>
	<i>Elementi di comando .....</i>	<i>74</i>
	<i>Istruzioni per l'uso.....</i>	<i>75</i>
	<i>Impiego finalizzato .....</i>	<i>75</i>
	<i>Ulteriore supporto .....</i>	<i>75</i>
	<i>Prima dell'uso .....</i>	<i>75</i>
<b>3</b>	<b>Prima della messa in funzione .....</b>	<b>76</b>
	<i>Installazione.....</i>	<i>76</i>
	<i>Collegare il tubo di alta pressione.....</i>	<i>76</i>
	<i>Valvola BA .....</i>	<i>77</i>
	<i>Guida di installazione.....</i>	<i>77</i>
	<i>Manutenzione .....</i>	<i>77</i>
	<i>Collegare il tubo dell'acqua.....</i>	<i>78</i>
	<i>Attacco elettrico .....</i>	<i>78</i>
	<i>Fili di prolunga .....</i>	<i>78</i>
<b>4</b>	<b>Comandi/Funzionamento .....</b>	<b>79</b>
	<i>Attaccare la canna da spruzzo alla pistola .....</i>	<i>79</i>
	<i>Accensione dell'apparecchio con attacco ad una condotta dell'acqua.....</i>	<i>79</i>
	<i>Accensione dell'apparecchio con attacco su contenitore aperto (funzionamento di aspirazione).....</i>	<i>79</i>
	<i>Regolazione della pressione con la lancia Powerspeed Vario Plus .....</i>	<i>80</i>
	<i>Regolazione della pressione sull'ugello del FlexoPower Plus .....</i>	<i>80</i>
	<i>Impiego di prodotti detergenti .....</i>	<i>80</i>
<b>5</b>	<b>Settori di impiego e metodi di lavoro .....</b>	<b>81</b>
	<i>Indicazioni generali .....</i>	<i>81</i>
	<i>Ammollo.....</i>	<i>81</i>
	<i>Applicare detergente e schiuma .....</i>	<i>81</i>
	<i>Temperatura.....</i>	<i>81</i>
	<i>Azione meccanica.....</i>	<i>81</i>
	<i>Maggiore volume d'acqua e maggiore pressione .....</i>	<i>81</i>
<b>6</b>	<b>Dopo il lavoro .....</b>	<b>82</b>
	<i>Spegnere l'apparecchio .....</i>	<i>82</i>
	<i>Riavvolgere il filo di collegamento e il tubo ad alta pressione e sistemare gli accessori ...</i>	<i>82</i>
	<i>Immagazzinamento .....</i>	<i>82</i>
	<i>Conservazione dell'apparecchio (tenuta a magazzino al sicuro dal gelo).....</i>	<i>82</i>
<b>7</b>	<b>Eliminazione di disfunzioni .....</b>	<b>83</b>
<b>8</b>	<b>Altre indicazioni .....</b>	<b>84</b>
	<i>Trasporto.....</i>	<i>84</i>
	<i>Riparazione e manutenzione .....</i>	<i>84</i>
	<i>Riciclaggio dell'apparecchio .....</i>	<i>84</i>
	<i>Garanzia .....</i>	<i>84</i>
	<i>Dichiarazione di conformità CE .....</i>	<i>85</i>
	<i>Dati tecnici .....</i>	<i>86</i>
	<i>Garanzia standard Graco .....</i>	<i>87</i>

# 1 Avvertenze importanti per la sicurezza

## Raffigurazioni di indicazione

### PERICOLO

Pericolo imminente che potrebbe causare ferite gravi irreversibili, anche mortali.

### AVVISO

Pericolo che potrebbe causare ferite gravi, anche mortali.

### PRUDENZA

Pericolo che potrebbe causare ferite leggeri o danni materiali.

## Avvertenze

### AVVISO

- È da tralasciarsi ogni modo di lavoro di dubbia sicurezza tecnica.
- Non si devono modificare i dispositivi meccanici, elettrici o termici di sicurezza.
- Questo apparecchio non è previsto per l'utilizzo da parte di bambini o di persone con ridotte capacità fisiche, sensoriali o mentali, oppure senza l'esperienza o le conoscenze necessarie, a meno che non siano sottoposte a un'adeguata supervisione o non siano state opportunamente istruite.
- Questa macchina deve essere utilizzata solo con prodotti chimici per la pulizia forniti o consigliati da GRACO. L'uso di prodotti chimici per la pulizia diversi da quelli consigliati potrebbe influire negativamente sulla sicurezza della macchina.
- Rischio di esplosione: non utilizzare la macchina pulitrice per nebulizzare liquidi infiammabili.



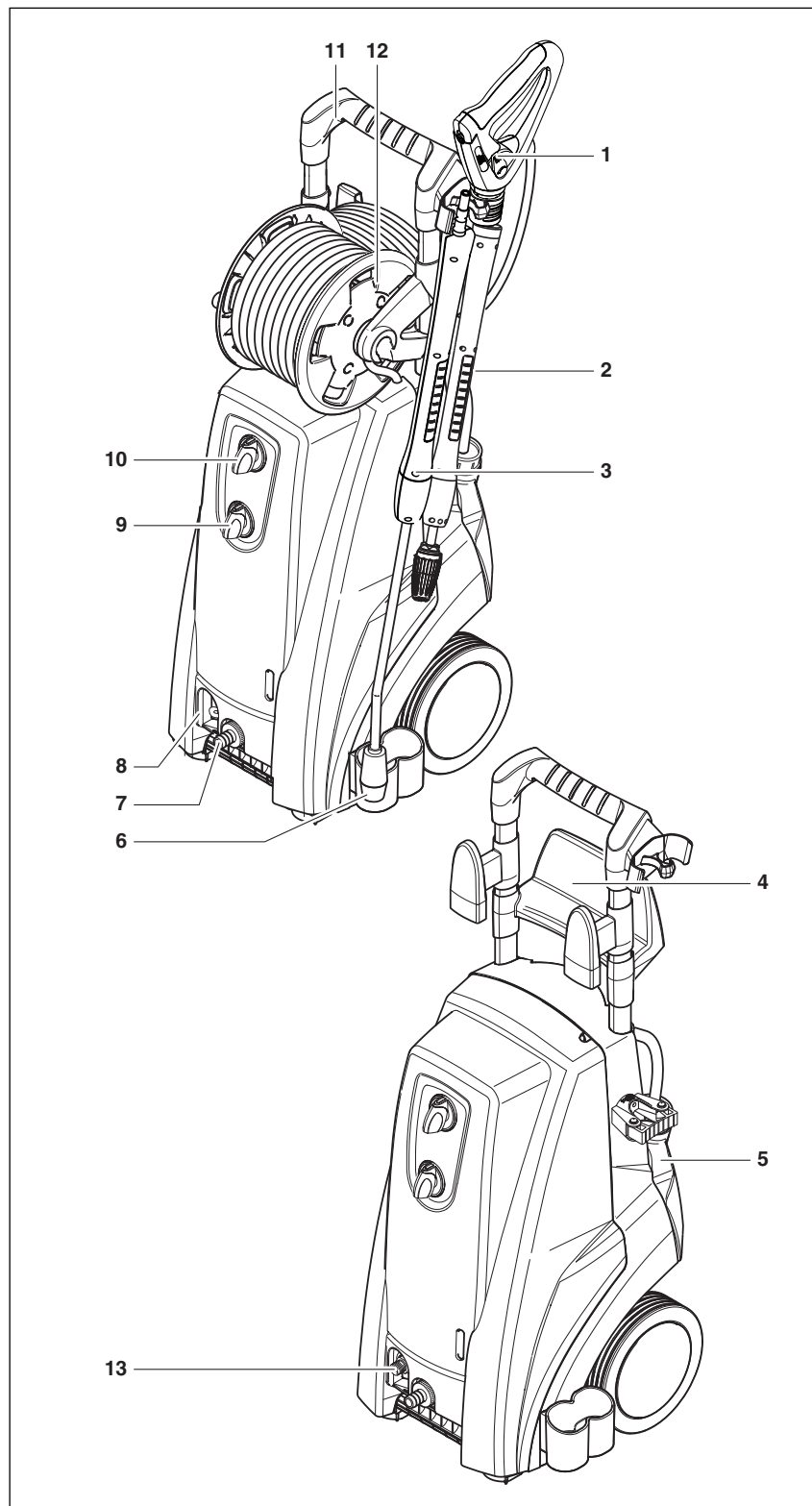
## PRUDENZA

- I getti ad alta pressione possono essere pericolosi. Non rivolgere mai il getto d'acqua verso persone, animali, apparecchi elettrici in funzione o verso la macchina stessa
- Non cercare di pulire gli indumenti o le scarpe dell'operatore o di altre persone.
- È necessario che l'operatore e chiunque si trovi nelle immediate vicinanze del luogo di pulizia si protegga da eventuali detriti che possono staccarsi durante il funzionamento. Indossare occhiali di protezione durante il funzionamento.
- Non coprire la macchina durante il funzionamento.
- Non utilizzare la macchina in un luogo a rischio di esplosioni. Per qualsiasi chiarimento, contattare gli uffici competenti locali.
- È vietato pulire con un getto ad alta pressione superfici contenenti amianto.
- Non è possibile utilizzare l'idropulitrice ad una temperatura inferiore a 0°C.
- Utilizzare soltanto combustibili adeguati, come specificato. L'utilizzo di combustibili non idonei potrebbe generare gravi rischi.
- Nell'impiego dell'apparecchio si verificano sul dispositivo di spruzzo reazioni di getto, inoltre, a canna di spruzzo angolata, anche un momento torcente supplementare, pertanto tenere saldo con entrambe le mani il dispositivo di spruzzo.
- L'oggetto da pulirsi va esaminato se, nel lavaggio, non vengano disciolte da queste sostanze pericolose che vadano ad inquinare l'ambiente, per es. amianto, olio.
- Non lavare con il getto tondo parti delicate in gomma, stoffa o simili. Nel lavaggio mantenere un distacco sufficiente tra ugello di alta pressione e la superficie, onde evitare un danneggiamento della superficie da lavarsi.
- Never operate the cleaner without water. Even brief shortages of water result in severe damage to the pump seals.
- E' da tralasciarsi ogni modo di lavoro di dubbia sicurezza.
- Non tenere aperta la manopola a scatto.

## 2 Descrizione

### Elementi di comando

- |   |   |
|---|---|
| 1. Pistola da spruzzo                             | qua sull'entrata                              |
| 2. Filo di collegamento elettrico                 | 8. Alimentazione dell'acqua per l'avvolgitubo |
| 3. Canna da spruzzo                               | 9. Interruttore principale                    |
| 4. Supporto per il filo di collegamento alla rete | 10. Dosaggio prodotto detergente              |
| 5. Serbatoio prodotto detergente                  | 11. Manubrio di spinta                        |
| 6. Supporto per canna da spruzzo                  | 12. Tamburo del filo <sup>1)</sup>            |
| 7. Attacco dell'acqua e filtro acqua              | 13. Attacco per tubo ad alta pressione        |





**Istruzioni per l'uso**

Prima di mettere in funzione la macchina, leggere con attenzione il documento, conservandolo quindi sempre a portata di mano.

L'azionamento della macchina soggiace alle determinazioni nazionali in vigore. Oltre alle istruzioni sull'uso e alle regolamentazioni vincolanti in vigore nel Paese d'impiego per la prevenzione di infortuni, sono da osservarsi anche le riconosciute regole tecniche del ramo per un lavoro sicuro e appropriato.

**Impiego finalizzato**

Questa idropulitrice è stata progettata per l'uso professionale. Può essere utilizzata per la pulizia di apparecchiature utilizzate nel settore edile e agricolo, stalle, veicoli, superfici arrugginite ecc.

L'idropulitrice non è adatta alla pulizia di superfici a contatto con alimenti.

Ogni impiego da ciò esulante è considerato come non finalizzato. Per quei danni che da esso derivino il costruttore non si assume responsabilità alcuna. Come impiego finalizzato si intende anche il mantenimento delle condizioni di funzionamento determinate dal costruttore quali manutenzione e riparazione.

**Ulteriore supporto**

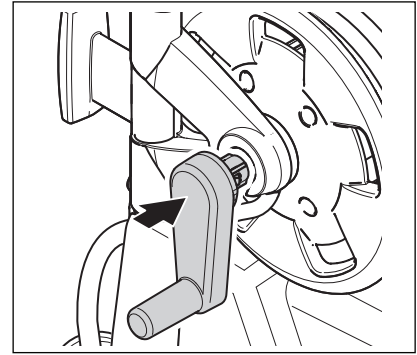
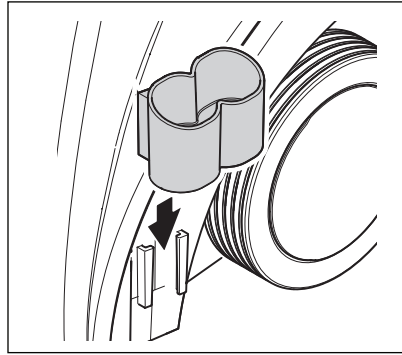
Per ulteriori domande o chiarimenti, è a Vostra disposizione il servizio di assistenza GRACO del Vostro paese.

**Prima dell'uso**

Prima di avviare la macchina verifi care attentamente che non vi siano difetti.

# 3 Prima della messa in funzione

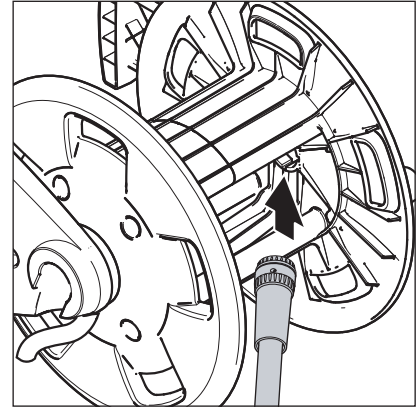
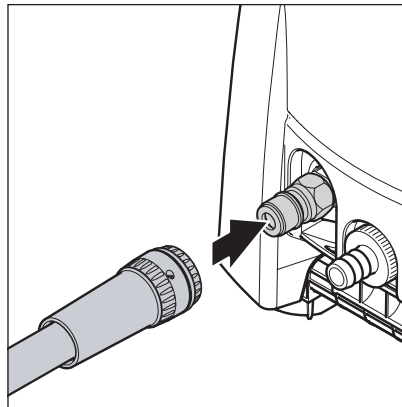
## Installazione



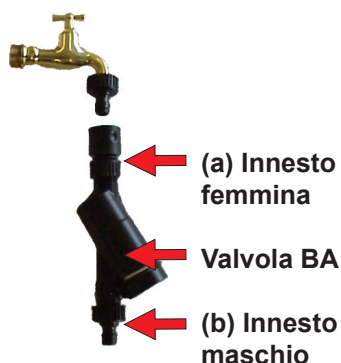
## Collegare il tubo di alta pressione


Apparecchi senza tamburo del tubo.

Apparecchi con tamburo del tubo.



## Valvola BA



 È consentito collegare questa idropulitrice solo con la rete di alimentazione dell'acqua potabile, qualora sia stato installato un dispositivo antiriflusso adeguato, di tipo BA in base alla normativa EN 1717.

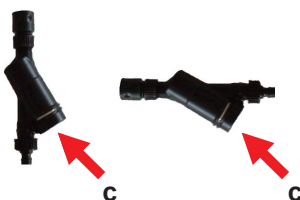
È possibile ordinare la valvola BA con il numero:

- Valvola BA con innesti GARDENA: 106411177
- Valvola BA con innesti NITO: 106411178
- Valvola BA con innesti GEKA: 106411179
- Valvola BA senza innesti: 106411184

È possibile ordinare gli innesti con il numero:

- 3/4" GARDENA (a): 32541
- 3/4" GARDENA (b): 1608629
- 3/4" NITO (a): 1602945
- 3/4" NITO (b): 1600659
- 1/2" NITO (b): 1604669
- 3/4" GEKA (a): 1718
- 3/4" GEKA (b): 1311

## Guida di installazione



1. Montare un innesto maschio sul rubinetto dell'acqua.
2. Collegare (a) sulla valvola BA al rubinetto dell'acqua.
3. Montare un innesto femmina sul tubo flessibile di ingresso dell'acqua.
4. Collegare (b) sulla valvola BA al tubo flessibile di ingresso dell'acqua.
5. Collegare il tubo flessibile di ingresso dell'acqua all'idropulitrice.
6. Aprire l'acqua e avviare la macchina.

## PRUDENZA

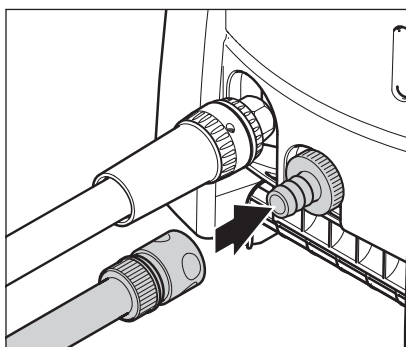
- Il dispositivo antiriflusso può essere montato in verticale o in orizzontale, e l'apertura di scolo (c) deve essere montata rivolta verso il basso.
- Il flusso dell'acqua dall'apertura di scolo (c) deve scorrere liberamente.
- Se esiste il rischio che l'acqua sia contaminata con granelli di sabbia (cioè acqua proveniente da un pozzo), è necessario montare un filtro supplementare tra il rubinetto dell'acqua e il dispositivo antiriflusso.
- Per assorbire eventuali picchi di pressione, la lunghezza del tubo tra il dispositivo antiriflusso e l'idropulitrice deve essere di almeno 12 metri (3/4" di diametro min).
- Non appena l'acqua è passata attraverso la valvola BA non può essere più considerata come acqua potabile.
- Proteggere il dispositivo antiriflusso da eventuali esposizioni al gelo.
- Tenere il dispositivo antiriflusso pulito ed eliminare ogni forma di sporco.

## Manutenzione

Una volta all'anno, controllare la funzione nella seguente maniera:

1. Dopo il funzionamento, spegnere l'idropulitrice.
2. Chiudere la valvola del rubinetto.
3. Scaricare la pressione dell'acqua nel tubo flessibile di alimentazione, attivando la lancia.
4. Smontare il dispositivo antiriflusso. L'acqua deve fuoriuscire dall'apertura di scolo (c) (max. 100 ml) per assicurarsi che vi sia una separazione dell'acqua potabile.
5. In caso contrario, pulire la valvola BA o contattare il rivenditore autorizzato di zona GRACO.

## Collegare il tubo dell'acqua



1. Prima di attaccare il tubo dell'acqua all'apparecchio, risciacquarlo brevemente con acqua, affinché sabbia o altre particelle di sporco non penetrino nell'apparecchio.
2. Collegare il tubo dell'acqua mediante il giunto rapido all'attacco dell'acqua.
3. Aprire il rubinetto dell'acqua.

### PRUDENZA

- Con cattiva qualità (sabbia etc.) consigliamo di montare un filtro fine sull'alimentazione dell'acqua.
- Si consiglia pure l'impiego di un tubo dell'acqua dal tessuto rinforzato con un diametro nominale di minimo  $\frac{3}{4}$ " (19 mm).

## Attacco elettrico



Negli apparecchi con commutazione di tensione<sup>1)</sup> fare immancabilmente attenzione, che sia impostata sull'apparecchio la corretta tensione di rete, prima di inserire la spina di rete nella presa di corrente. Altrimenti ne possono venir distrutti i componenti elettrici dell'apparecchio.

### PRUDENZA

- Collegare la macchina solo con una rete elettrica provvista di messa a terra.
- La rete di alimentazione deve essere realizzata da un elettricista qualificato.
- In conformità alla normativa IEC- 60364-1, è necessario che l'alimentazione della macchina preveda un dispositivo di corrente residua (GFCI)
- Non danneggiare il filo di collegamento alla rete (per es. passandovi sopra con veicoli, strappandolo, schiacciandolo).
- Staccare il conduttore di collegamento solo direttamente per la spina (non tirandolo, strappandolo).

## Fili di prolunga

Utilizzare come prolunga esclusivamente i materiali indicati esplicitamente dal produttore o modelli qualitativamente superiori.

Nell'impiego di un conduttore di prolunga osservarne la sezione minima dello stesso:

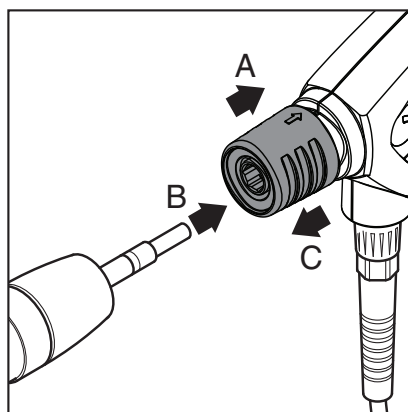
Lunghezza del filo	Sezione	
	< 16 A	< 25 A
fino 20 m	1.5 mm <sup>2</sup>	2.5 mm <sup>2</sup>
da 20 a 50 m	2.5 mm <sup>2</sup>	4.0 mm <sup>2</sup>

### PRUDENZA

- Nell'impiego di tamburi per il filo: A causa del pericolo di surriscaldamento e d'incendio svolgere sempre completamente il filo di collegamento.
- Le connessioni dei cavi devono rimanere asciutte e lontane da terra.

## 4 Comandi/Funzionamento

### Attaccare la canna da spruzzo alla pistola

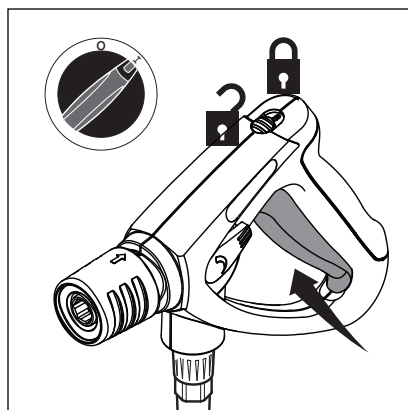


1. Tirare all'indietro la manopola blu a rapido rilascio (A) della pistola a spruzzo.
2. Inserire il rubinetto della lancia (B) nel collegamento a rapido rilascio e rilasciarlo.
3. Tirare in avanti la lancia (o un altro accessorio) per verificare che sia collegata in modo saldo alla pistola a spruzzo.

#### PRUDENZA

Ripulire sempre il beccuccio da eventuali particelle di sporco, prima di collegarlo con la pistola da spruzzo.

### Accensione dell'apparecchio con attacco ad una condotta dell'acqua

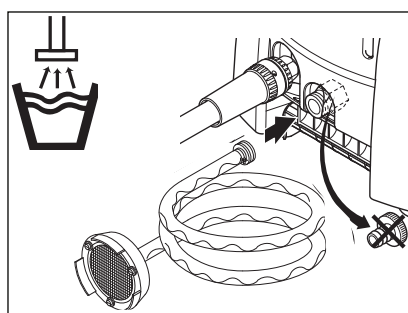


1. Mettere l'interruttore principale sulla posizione "I".
2. Sbloccare la pistola da spruzzo ed azionarla.
3. Inserire anche durante brevi interruzioni del lavoro la sicura di blocco.

#### PRUDENZA

Per far sfiatare il sistema azionare più volte la pistola da spruzzo a brevi intervalli.

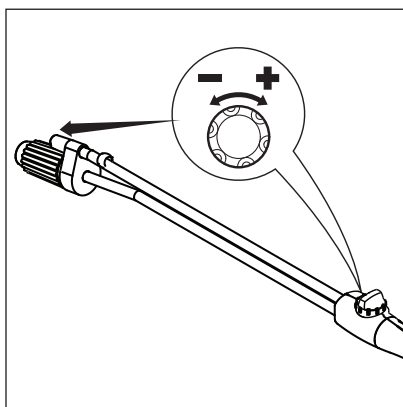
### Accensione dell'apparecchio con attacco su contenitore aperto (funzionamento di aspirazione)



1. Prima di attaccare il set di aspirazione GRACO all'apparecchio, riempirlo di acqua.
2. Mettere l'interruttore principale sulla posizione "I".
3. Sbloccare la pistola da spruzzo ed azionarla.

Altezza di aspirazione max.(Adescata) = 1 m.

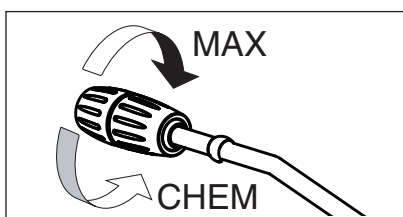
### Regolazione della pressione con la lancia Powerspeed Vario Plus



Girare la manopola sul dispositivo di spruzzo.

- alta pressione = in senso orario (+)
- bassa pressione = in senso antiorario (-)

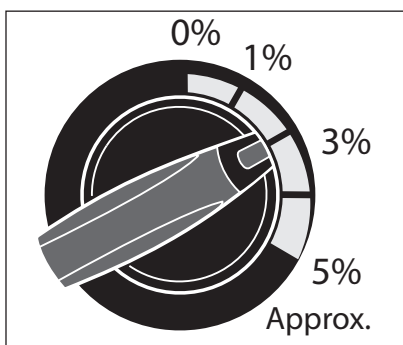
### Regolazione della pressione sull'ugello del FlexoPower Plus



Girare la boccola dell'ugello del FlexoPower Plus:

- Alta pressione = MAX.
- Bassa pressione = MIN (CHEM)

### Impiego di prodotti detergenti



l'iniettore in dotazione di serie:

1. Prediluire il prodotto detergente secondo le prescrizioni del produttore.
2. Impostare la regolazione della pressione sulla bassa pressione.
3. Regolare la quantità di detergente desiderata girando la valvola di dosaggio.
4. Mettere l'interruttore principale sulla posizione "I".
5. Azionare la pistola da spruzzo.

Solo con funzionamento a bassa pressione possono venir aspirati i prodotti detergenti tramite

#### PRUDENZA

I prodotti detergenti non devono asciugarsi. Altrimenti potrebbero venir danneggiate le superfici da lavarsi.

# 5 Settori di impiego e metodi di lavoro

## Indicazioni generali

Si otterrà una lavaggio a grande azione osservando alcune poche direttive, combinate con le vs. proprie esperienze in determinati settori. Sia gli accessori che i prodotti detergenti, se impiegati correttamente, aumentano l'azione di lavaggio. Qui sono esposte alcune indicazioni basilari.

## Ammollo

Strati di sporco spessi e rinsecchiti possono venir disciolti o rammolliti, se essi vengono messi all'ammollo per un determinato periodo. Un metodo ideale, specialmente nell'agricoltura – per esempio nei porcili. Si otterrà la migliore azione mediante l'impiego di detergenti schiumosi e alcalini. Spruzzare le superfici con soluzione di detergente e lasciar agire per 30 minuti. Poi si potrà lavare con il getto ad alta pressione molto più velocemente.

## Applicare detergente e schiuma

Il detergente e la schiuma dovrebbero venir spruzzati sulla superficie asciutta, affinché il prodotto detergente entri a contatto con lo sporco senza una un'ulteriore diluizione. Sulle superfici verticali procedere dal basso verso l'alto per evitare striature, quando la soluzione di detergente scorre giù. Lasciar agire per alcuni minuti, prima di lavare con il getto ad alta pressione. Non lasciar asciugare il prodotto detergente.

## Temperatura

Temperatura: l'azione del detergente viene rafforzata dalle alte temperature. In particolare grassi e oli possono venir disciolti con maggior facilità e rapidità. Con temperature sui 60° C possono venir disciolte meglio le proteine, mentre gli oli e i grassi dai 70° ai 90° C.

## Azione meccanica

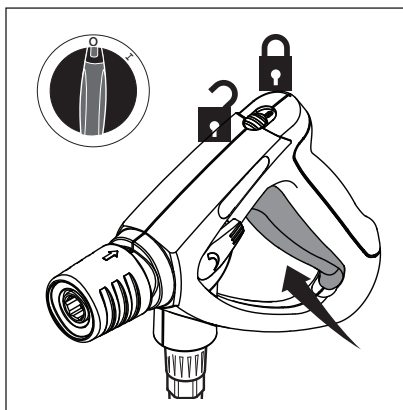
Per dissogliere forti strati di sporco è necessaria un'azione meccanica supplementare. Speciali canne da getto e spazzole per lavaggio (rotanti) offrono il migliore effetto per disciogliere lo strato di sporco.

## Maggiore volume d'acqua e maggiore pressione

La pressione alta non è sempre la soluzione migliore ed una pressione troppo alta può danneggiare le superfici. L'azione lavante dipende altrettanto del volume di acqua. Una pressione di 100 bar è sufficiente per il lavaggio di veicoli (assieme ad acqua calda). Un maggior volume d'acqua acconsente il risciacquo e lo scorrer via dello sporco disciolto.

## 6 Dopo il lavoro

### Spegnere l'apparecchio



1. Spegnere l'interruttore principale, interruttore su posizione "OFF".
2. Chiudere il rubinetto dell'acqua.
3. Azionare la pistola da spruzzo, fino a che non vi sia più pressione nell'apparecchio.
4. Inserire la sicura di blocco della pistola da spruzzo.

### Riavvolgere il filo di collegamento e il tubo ad alta pressione e sistemare gli accessori

1. Riavvolgere il filo di collegamento.
2. Riavvolgere il tubo ad alta pressione.
3. Adagiare la canna da spruzzo con gli accessori sul supporto apposito.

#### PRUDENZA

Rischio di inciampare. Per evitare incidenti, avvolgere sempre con cura il cavo elettrico e il tubo flessibile.

### Immagazzinamento

Immagazzinare la macchina in locali asciutti e al riparo dal gelo.

### Conservazione dell'apparecchio (tenuta a magazzino al sicuro dal gelo)

Se l'apparecchio ad alta pressione viene messo in deposito in un locale, nel quale subentrino temperature sullo 0°C o al di sotto, si dovrà prima aspirare con la pompa dell'antigelo.

1. Staccare dall'apparecchio il tubo di alimentazione dell'acqua.
2. Staccare la canna da spruzzo.
3. Accendere l'apparecchio, posizione dell'interruttore su "I".
4. Collegare un tubo flessibile corto di aspirazione all'ingresso dell'acqua sull'idropulitrice e collocare l'altra estremità in un serbatoio contenente liquido antigelo.
5. Accendere l'apparecchio, interruttore sulla posizione "I".
6. Tenere la pistola da spruzzo sul contenitore dell'antigelo e azionarla, onde avviare il procedimento di aspirazione.
7. Durante il procedimento di aspirazione azionare da 2 a 3 volte la pistola da spruzzo.
8. Sollevare il tubo di aspirazione dal contenitore dell'antigelo e azionare la pistola da spruzzo, onde pompar via il resto dell'antigelo.
9. Spegnere l'apparecchio.

#### PRUDENZA

- Per evitare un qualsiasi rischio, prima della rimessa in funzione, depositare temporaneamente l'apparecchio possibilmente in un ambiente riscaldato.
- Non avviare la macchina se è congelata.



# 7 Eliminazione di disfunzioni

Disfunzione	Causa	Eliminazione
Caduta di pressione	<ul style="list-style-type: none"> <li>Aria nel sistema</li> <li>Ugello AP intasato/consumato</li> <li>Serbatoio del prodotto detergente vuoto.</li> </ul>	<ul style="list-style-type: none"> <li>Sfiatare il sistema, a ciò azionare più volte la pistola da spruzzo a brevi distanze di tempo, event. mettere brevemente in funzione l'apparecchio senza attaccarvi il tubo ad alta pressione.</li> <li>Ripulire/sostituire l'ugello AP</li> <li>Riempire il serbatoio del prodotto detergente oppure mettere sulla posizione "0" la valvola di dosaggio.</li> </ul>
Oscillazioni di pressione	<ul style="list-style-type: none"> <li>La pompa aspira aria (possibile solo con funzionamento di aspirazione)</li> <li>Carenza d'acqua</li> <li>Il tubo dell'alimentazione dell'acqua è troppo lungo o la sezione troppo esigua</li> <li>Carenza d'acqua a causa di filtro intasato</li> <li>Carenza d'acqua per mancata osservanza dell'altezza di aspirazione max.</li> </ul>	<ul style="list-style-type: none"> <li>Controllare la tenuta del kit di aspirazione</li> <li>Aprire il rubinetto dell'acqua</li> <li>Impiegare una lunghezza del tubo di alimentazione dell'acqua come prescritto</li> <li>Ripulire il filtro dell'acqua sull'entrata della stessa (mai lavorare senza filtro dell'acqua)</li> <li>Vedi messa in funzione</li> </ul>
All'accensione il motore non gira	<ul style="list-style-type: none"> <li>La spina non è inserita bene, interruzione di corrente</li> <li>Sono saltate le valvole di sicurezza di rete</li> </ul>	<ul style="list-style-type: none"> <li>Controllare la spina, conduttore e interruttore e, qualora necessario, farli sostituire da un elettricista</li> <li>Azionare la valvola di sicurezza di rete</li> </ul>
All'accensione il motore fa rumore senza girare	<ul style="list-style-type: none"> <li>La tensione di rete è troppo bassa o vi è caduta di fase</li> <li>La pompa è bloccata o congelata</li> <li>Sezione o lunghezza sbagliata del cavo di prolunga</li> </ul>	<ul style="list-style-type: none"> <li>Far controllare l'attacco elettrico</li> <li>Chiamare il servizio di assistenza GRACO</li> <li>Impiegare un giusta sezione o giusta lunghezza del cavo</li> </ul>
Il motore si spegne	<ul style="list-style-type: none"> <li>L'apparecchio non è stato usato da più di 5 minuti sulla posizione "I" dell'interruttore</li> </ul>	<ul style="list-style-type: none"> <li>Far controllare la concordanza tra tensione di alimentazione e tensione dell'apparecchio. Spegner e lasciar raffreddare per un minimo di 3 minuti</li> </ul>
Prodotti deterenti non arrivano	<ul style="list-style-type: none"> <li>L'ugello ad alta pressione è sporco</li> <li>O è sporco l'iniettore o è intasato il tubo di aspirazione</li> <li>È vuoto il serbatoio del prodotto detergente</li> <li>Non è regolata su bassa pressione la manopola sulla canna da spruzzo</li> </ul>	<ul style="list-style-type: none"> <li>Sostituire l'ugello di alta pressione</li> <li>Ripulire</li> <li>Riempire il serbatoio del prodotto detergente</li> <li>Girare la manopola sulla canna da spruzzo in senso antiorario fino a finecorsa</li> </ul>

## 8 Altre indicazioni

### Trasporto

Per il trasporto sicuro su veicoli consigliamo di fissare l'apparecchio contro slittamenti e ribaltamenti mediante nastri adatti.

Trasporto in posizione adagiata:

- Non ribaltare o adagiare l'apparecchio sul lato degli attacchi.
- Togliere il tubo di aspirazione dal serbatoio del prodotto detergente, chiudendo indi il serbatoio con il coperchio in dotazione.
- Prima dell'accensione dell'apparecchio: far attenzione che l'olio sia rifluito dal recipiente di raccolta della scatola della pompa. Controllare il livello dell'olio, alla necessità aggiungerne.

Quando si debba trasportare sia l'apparecchio che gli accessori con temperature sugli 0°C o al disotto, consigliamo l'uso di antigelo come descritto al capitolo 5.

### Riparazione e manutenzione

Rimuovere sempre la spina dalla presa prima di eseguire operazioni di manutenzione della macchina.

### Riciclaggio dell'apparecchio

Rendere subito inservibile la macchina messa fuori uso.

1. Togliere la spina di rete
2. Tagliare il filo di collegamento.
3. No buttare gli apparecchi elettrici fuori uso nei rifiuti casalinghi.



Secondo la direttiva europea 2002/96/EG inerente gli apparecchi elettrici ed elettronici fuori uso, essi dovranno venir raccolti separatamente e riciclati in un modo in armonia ecologica.

### Garanzia

Per la garanzia e le prestazioni valgono le nostre condizioni generali di consegna. Con riserva di modifiche in seguito ad innovazioni tecniche.

## Dichiarazione di conformità CE



# EC-DECLARATION OF CONFORMITY

EG-VERKLARING VAN OVEREENSTEMMING, DÉCLARATION DE CONFORMITÉ CE, EG-KONFORMITÄTSEKTLÄRUNG, DICHIARAZIONE DI CONFORMITÀ CE, EF-OVERENSSTEMMELSESEKTLÆRING, ΕΚ-ΔΗΛΩΣΗ ΣΥΜΜΟΡΦΩΣΗΣ, DECLARAÇÃO DE CONFORMIDADE - CE, DECLARACIÓN DE CONFORMIDAD DE LA CE, EY-VAATIMUSTENMUKAISUUSVAKUUTUS, EG-DEKLARATION OM ÖVERENSSTÄMMELSE, ES PROHLÁŠENÍ O SHODĚ, EÜ VASTAVUSDEKLARATSIOON, EC MEGFEJELŐSÉGI NYILATKOZAT, EK ATBILSTĪBAS DEKLARĀCIJA, ES ATITIKTIES DEKLARACIJA, DEKLARACJA ZGODNOŚCI UE, DIKJARAZZJONI-KE TA' KONFORMITA', IZJAVA ES O SKLADNOSTI, ES - VYHLÁŠENIE O ZHODE, ΕΟ-ΔΕΚΛΑΡΑЦИЯ ЗА СЪВМЕСТИМОСТ, DEIMHNIÚ COMHRÉIREACHTA CE, CE-DECLARAȚIE DE CONFORMITATE

## Model

Modèle, Modell, Modello, Μοντέλο,  
Modelo, Malli, Mudel, Modelis, Mudell, Модел, Samhail

AquaMax 2330E, 2335E

## Part

Bestelnr., Type, Teil, Codice, Del, Μέρος, Peça,  
Referencia, Osa, Součást, Részegység, Daja, Dalis,  
Część, Taqsimā, Část, Част, Part, Parte

287428, 287429

## Complies With The EC Directives:

Voldoet aan de EG-richtlijnen, Conforme aux directives CE, Entspricht den EG-Richtlinien, Conforme alle direttive CE, Overholder EF-direktiverne, Σύμφωνα με τις Οδηγίες της ΕΚ, Em conformidade com as Directivas CE, Cumple las directivas de la CE, Täyttää EY-direktiivien vaatimukset, Uppfyller EG-direktiven, Shoda se směrnicemi ES, Vastab EÜ direktiividele, Kielegítí az EK irányelvek követelményeit, Atbilst EK direktívām, Atitinka šias ES direktyvas, Zgodność z Dyrektywami UE, Konformi mad-Direttivi tal-KE, V skladu z direktivami ES, Je v súlade so smernicami ES, Съвместимост с Директиви на ЕО, Tá ag teacht le Treoracha an CE, Respectă directivele CE

2006/42/EC Machine Directive

2006/95/EC Low Voltage Directive

2004/108/EC EMC Directive

## Standards Used:

Gebruikte maatstaven, Normes respectées, Verwendete Normen, Norme applicate, Anvendte standarder, Πρότυπα που χρησιμοποιήθηκαν, Normas utilizadas, Normas aplicadas, Sovellettavat standardit, Tillämpade standarder, Použité normy, Rakendatud standardid, Alkalmazott szabványok, Izmantotie standarti, Taikyti standartai, Užyte normy, Standards Uzati, Uporabljeni standardi, Použité normy, Използвани стандарти, Cíahdeáin arna n-úsáid, Standarde utilizate

EN 12100, EN 60335-2-79, EN 55014-1, EN 55014-2, EN 61000-3-2, DIN EN 60335-2-79

## Notified Body for Directive

Aangemelde instantie voor richtlijn, Organisme notifié pour la directive, Benannte Stelle für diese Richtlinie, Ente certificatore della direttiva, Bemyndiget organ for direktiv, Διακοινωμένο όργανο Οδηγίας, Organismo notificado relativamente à directiva, Organismo notificado de la directiva, Direktiivien mukaisesti ilmoitettu tarkastuslaitos, Anmält organ för direktivet, Úředně oznámený orgán pro směrnici, Teavitatud asutus (direktiivi järgi), Az irányelvvvel kapcsolatban értesített testület, Pilnvarotā iestāde saskaņā ar direktīvu, Apie direktīvu Informuota institūcija, Ciało powiadomione dla Dyrektywy, Korp avzat bid-Direttiva, Priglašeni organ za direktivo, Notifikovaný orgán pre smernicu, Нотифициран орган за Директива, Comhlacht ar tugadh fógra dó, Organism notificat în conformitate cu directiva

--	--	--	--

## Approved By:

Goedgekeurd door, Approuvé par, Genehmigt von, Approvato da, Godkendt af, Έγκριση από, Aprobado por, Aprobado por, Hyväksynyt, Intygas av, Schwäilit, Kinnitanud, Jóváhagyta, Apstiprināts, Patvirtino, Zatwierdzone przez, Approvat minn, Odobril, Schválené, Одобрено от, Faofa ag, Aprobat de

**Hans van Cranenbroek**

**Manufacturing, Engineering and Warehousing Manager**

10 JANUARY 2011

Manufactured By:

**GRACO INC.**  
88 - 11<sup>th</sup> Avenue N.E.  
Minneapolis, MN 55413  
USA










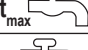
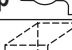






Authorized Representative:

**GRACO N.V.**  
Slakweidestraat 31  
3630 Maasmechelen  
BELGIUM

**199382**

**A**

## Dati tecnici

		AquaMax 2330E	AquaMax 2335E
	V/Ph/Hz	230/1/50	400/3/50
	A	16	10
	kW	3.3	4.2
<b>I</b>	A	15	7.6
		IP X5	IP X5
	bar/MPa	160/16	160/16
	bar/MPa	200/20	200/20
	l/h	560	700
	l/h	620	760
<b>Cleaning Impact</b>	kg/Force	3.0	3.6
		0350	0475
	°C	50	50
	bar / MPa	10/1	10/1
	mm	450 x 380 x 1040	450 x 380 x 1040
	kg	40.4	40.4
 <b>EN 60704-1</b>	dB(A)	74.6	75
 <b>L<sub>WA</sub></b>	dB(A)	87.9	90
<b>Vibration ISO 5349</b>	m/s <sup>2</sup>	< 2.5	< 2.5
<b>Recoil forces</b>	N	28	35
	l	0.225	0.225
		Agip Rotra 80W-90	

## Garanzia standard Graco

La Graco garantisce tutta l'apparecchiatura descritta in questo documento che è fabbricata dalla Graco e che è marchiata con suo nome come esente da difetti del materiale e di mano d'opera alla data della vendita per l'acquirente originale che lo usa. Con l'eccezione di eventuali garanzie speciali, estese o limitate pubblicate dalla Graco, la Graco, per un periodo di dodici mesi dalla data di acquisto, riparerà o sostituirà qualsiasi parte dell'attrezzatura che la Graco stessa riconoscerà come difettosa. Questa garanzia si applica solo alle attrezzature che vengono installate, utilizzate e di cui viene eseguita la manutenzione seguendo le raccomandazioni scritte della Graco.

Questa garanzia non copre, e la Graco non sarà responsabile di, usura e danni generici o di guasti, danni o usura causati da installazioni non corrette, cattivo uso, errata applicazione, corrosione, manutenzione inadeguata o non corretta, negligenza, incidenti, manomissioni o sostituzioni con componenti non Graco. La Graco non sarà neanche responsabile di eventuali malfunzionamenti, danni o usura causati dall'incompatibilità delle attrezzature Graco con strutture, accessori, attrezzature o materiali non forniti dalla Graco o da progettazioni, manifatture, installazioni, funzionamenti o manutenzioni errati di strutture, accessori, attrezzature o materiali non forniti dalla Graco.

Questa garanzia è valida solo se l'attrezzatura difettosa viene restituita ad un distributore Graco in porto franco per la verifica del difetto dichiarato. Se il difetto dichiarato viene verificato, la Graco riparerà o sostituirà senza alcun addebito tutte le parti difettose. L'attrezzatura verrà restituita all'acquirente originale che ha prepagato la spedizione. Se l'attrezzatura ispezionata non riporta difetti nei materiali o nella manodopera, le riparazioni verranno effettuate ad un costo ragionevole che può includere il costo dei pezzi di ricambio, della manodopera e del trasporto.

**QUESTA GARANZIA È ESCLUSIVA E SOSTITUISCE TUTTE LE ALTRE GARANZIE, ESPLICITE O IMPLICITE INCLUSE MA NON LIMITATE A EVENTUALI GARANZIE DI COMMERCIALIZZABILITÀ O ADATTABILITÀ A SCOPI PARTICOLARI.**

L'unico obbligo della Graco ed il solo rimedio a disposizione dell'acquirente per eventuali violazioni della garanzia sono quelli indicati in precedenza. L'acquirente accetta che nessun altro rimedio (incluso ma non limitato a danni incidentali o consequenziali per perdite di profitto, di vendite, lesioni alle persone o danni alle proprietà o qualsiasi altra perdita incidentale o consequenziale) sarà messo a sua disposizione. Qualsiasi azione legale per violazione della garanzia dovrà essere intrapresa entro due (2) anni dalla data di vendita.

**LA GRACO NON RILASCIA ALCUNA GARANZIA E NON RICONOSCE NESSUNA GARANZIA IMPLICITA DI COMMERCIALIZZABILITÀ ED ADATTABILITÀ A SCOPI PARTICOLARI RELATIVAMENTE AD ACCESSORI, ATTREZZATURE, MATERIALI O COMPONENTI VENDUTI MA NON PRODOTTI DALLA GRACO.** Questi articoli venduti, ma non prodotti dalla Graco (come i motori elettrici, gli interruttori, i tubi ecc.) sono coperti dalla garanzia, se esiste, dei relativi produttori. La Graco fornirà all'acquirente un'assistenza ragionevole in caso di reclami per violazione di queste garanzie.

La Graco non è in alcun caso responsabile di danni indiretti, accidentali, speciali o conseguenti alla fornitura da parte della Graco dell'apparecchiatura di seguito riportata o per la fornitura, il funzionamento o l'utilizzo di qualsiasi altro prodotto o altro articolo venduto, a causa di violazione del contratto, della garanzia, per negligenza della Graco o altro.

**Graco reserves the right to make changes at any time without notice.**

**Traduzione del manuale di istruzioni originale. This manual contains Italian. MM 3A1490**

**Graco Headquarters: Minneapolis**

**International Offices: Belgium, China, Japan, Korea**

**GRACO INC. P.O. BOX 1441 MINNEAPOLIS, MN 55440-1441**

**www.graco.com**

# Innhold

<b>1</b>	<b>Viktige sikkerhetsinstrukser .....</b>	<b>89</b>
	<i>Kjennetegning av informasjon .....</i>	89
	<i>Advarsler.....</i>	89
<b>2</b>	<b>Beskrivelse .....</b>	<b>91</b>
	<i>Betjeningsselementer.....</i>	91
	<i>Bruksanvisning .....</i>	92
	<i>Bruksområde .....</i>	92
	<i>Ytterligere støtte .....</i>	92
	<i>Før bruk .....</i>	92
<b>3</b>	<b>Før idriftsettelse .....</b>	<b>93</b>
	<i>Oppstilling .....</i>	93
	<i>Tilkobling av høytrykksslange.....</i>	93
	<i>Tilbakeslagsventil .....</i>	94
	<i>Installasjonsveiledning.....</i>	94
	<i>Vedlikehold .....</i>	94
	<i>Tilkobling av vannslange .....</i>	95
	<i>Elektrisk tilkobling .....</i>	95
	<i>Skjøteledninger.....</i>	95
<b>4</b>	<b>Betjening / drift.....</b>	<b>96</b>
	<i>Tilkobling av sprøyterøret til sprøytepistolen .....</i>	96
	<i>Innkobling av maskinen ved tilkobling til vannledning .....</i>	96
	<i>Innkobling av maskinen ved tilkobling til åpne beholdere (sugedrift).....</i>	96
	<i>Trykkregulering med Powerspeed Vario Plus-lanse .....</i>	97
	<i>Trykkregulering påFlexoPower Plus-dysen .....</i>	97
	<i>Bruk av rengjøringsmidler.....</i>	97
<b>5</b>	<b>Bruksområder og arbeidsmetoder .....</b>	<b>98</b>
	<i>Generelle informasjoner .....</i>	98
	<i>Oppmykning.....</i>	98
	<i>Påføring av rengjøringsmiddel og skum .....</i>	98
	<i>Temperatur.....</i>	98
	<i>Mekaniske virkemidler .....</i>	98
	<i>God vanneffekt og høyt trykk.....</i>	98
<b>6</b>	<b>Etter arbeidet .....</b>	<b>99</b>
	<i>Utkobling av maskinen.....</i>	99
	<i>Opprulling av tilkoblingsledning og høytrykksslange, oppbevaring av tilbehør.....</i>	99
	<i>Oppbevaring .....</i>	99
	<i>Oppbevaring av maskinen (frostsikker lagring) .....</i>	99
<b>7</b>	<b>Utbedring av feil .....</b>	<b>100</b>
<b>8</b>	<b>Annet .....</b>	<b>101</b>
	<i>Transport.....</i>	101
	<i>Reparasjon og vedlikehold .....</i>	101
	<i>Resirkulering av maskinen.....</i>	101
	<i>Garanti .....</i>	101
	<i>EF-konformitetserklæring .....</i>	102
	<i>Tekniske data.....</i>	103
	<i>Graco standardgaranti.....</i>	104

# 1 Viktige sikkerhetsinstruksjoner

## Kjennetegning av informasjon

### FARE

Fare som umiddelbart fører til alvorlige og irreversible eller livstruende personskader.

### ADVARSEL

Fare som kan føre til alvorlige eller livstruende personskader.

### FORSIKTIG

Fare som kan føre til lettere personskader eller materielle skader.

## Advarsler

### ADVARSEL

- Enhver arbeidsmåte hvor sikkerheten ikke er garantert, må unngås.
- Det må ikke foretas forandringer på støvsugerens mekaniske, elektriske eller kjølemessige utforming.
- Dette apparatet skal ikke brukes av barn eller personer med reduserte fysiske, sensoriske eller mentale evner, eller mangel på erfaring og kunnskap, med mindre de er under tilsyn eller har fått den nødvendige instruksjon.
- Denne maskinen skal kun brukes med rengjøringskjemikalier som er levert eller anbefalt av GRACO. Bruk av andre rengjøringskjemikalier kan påvirke maskinens sikkerhet i negativ retning.
- Eksplosjonsfare – Ikke bruk vaskeren til å sprøyte med brennbare væsker.



### FORSIKTIG

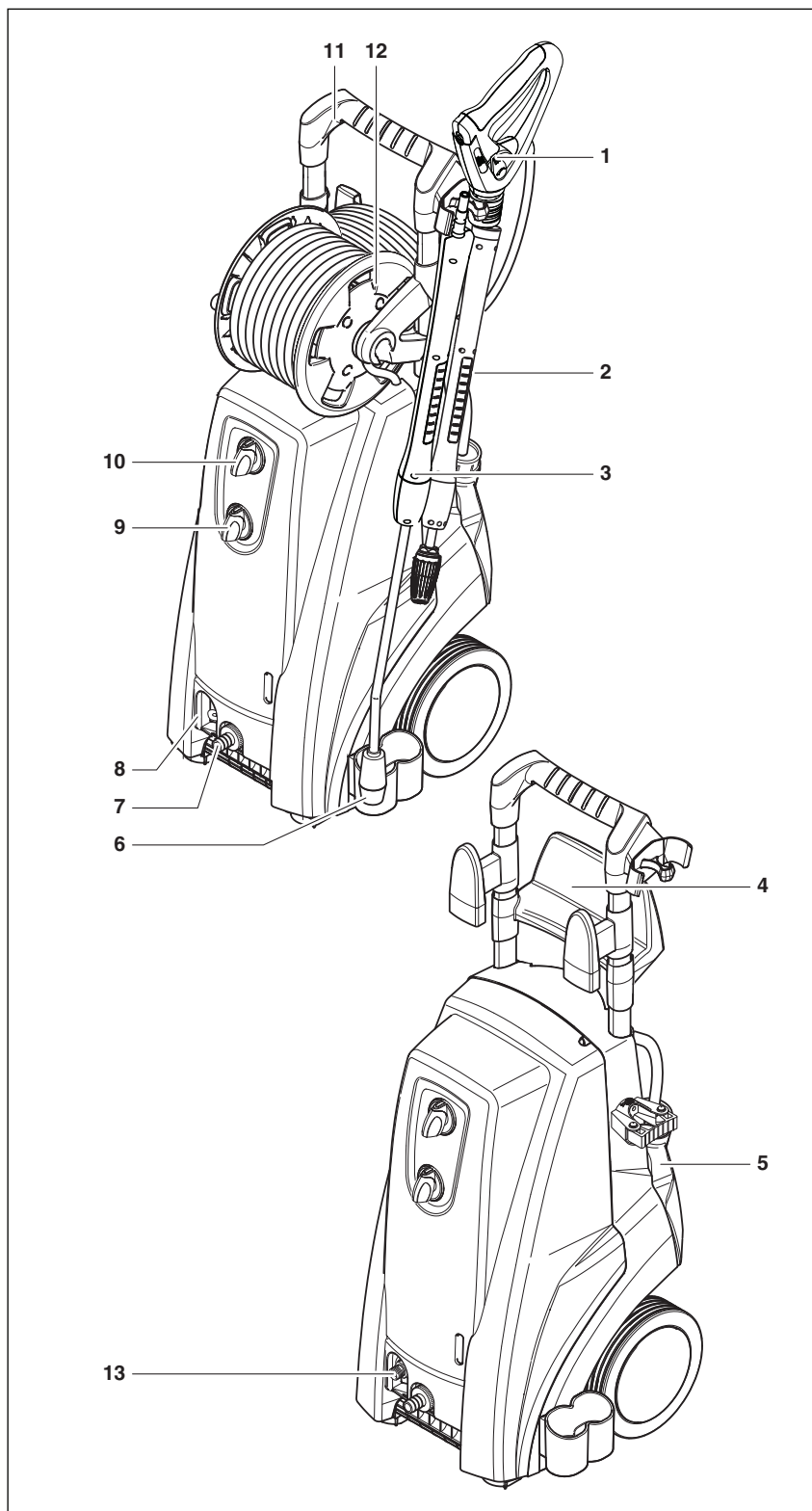
- Høytrykksstråler kan være farlige. Rett aldri strålen mot personer, dyr, strømførende elektrisk utstyr eller selve maskinen.
- Forsøk aldri å rengjøre klær eller fottøy som du eller andre har på.
- Brukeren og alle som oppholder seg i umiddelbar nærhet av rengjøringsstedet må beskytte seg mot å bli truffet av oppvirvlede partikler når høytrykksvaskeren er i bruk. Bruk vernebriller under arbeidet.
- Maskinen må ikke tildekkes under bruk.
- Bruk ikke maskinen i områder med eksplosjonsfare. Kontakt lokale myndigheter hvis du er i tvil.
- Høytrykkspyling av fl ater som inneholder asbest er forbudt.
- Denne høytrykksvaskeren må ikke brukes når temperaturen synker under 0 °C.
- Bruk bare korrekt drivstoff som angitt. Feil drivstoff kan forårsake alvorlig fare.
- Ved drift av maskinen oppstår det tilbakeslagskrefter i sprøyteinnretningen og ved vinklet dusjerør også et dreiemoment. Av denne grunn må sprøyteinnretningen holdes godt fast med begge hender.
- Gjenstanden som skal rengjøres skal kontrolleres med hensyn til om det ved rengjøring kan frigis farlige stoffer fra den som slippes ut i miljøet, f.eks. asbest, olje.
- Benytt ikke rundstrålen til rengjøring av ømfintlige deler av gummi, stoff e.l. For å unngå skader, påse at avstanden mellom høytrykksdysen og overflaten som skal rengjøres er tilstrekkelig. Never operate the cleaner without water. Even brief shortages of water result in severe damage to the pump seals.
- Enhver arbeidsmåte hvor sikkerheten ikke er garantert, må unngås.
- Ikke bind opp pistolgrephåndtaket.



## 2 Beskrivelse

### Betjeningslementer

- |                                     |                                      |
|-------------------------------------|--------------------------------------|
| 1. Sprøytepistol                    | 8. Vanntilførsel til slangetrommelen |
| 2. Elektrisk tilkoblingsledning     | 9. Hovedbryter                       |
| 3. Sprøyterør                       | 10. Dosering av rengjøringsmiddel    |
| 4. Holder for nettkoblingsledning   | 11. Trillebøyle                      |
| 5. Beholder for rengjøringsmiddel   | 12. Slangetrommel <sup>1)</sup>      |
| 6. Holder for sprøyterør            | 13. Tilkobling for høytrykkslange    |
| 7. Vanntilkobling og vannløpsfilter |                                      |



**Bruksanvisning**

Les igjennom dokumentet før du tar maskinen i bruk og oppbevar det slik at det er lett tilgjengelig til enhver tid.

Drift av maskinen skal skje i samsvar med gjeldende nasjonale bestemmelser. Ved siden av driftsinstruksen og vedkommende brukerlands gjeldende bindende forskrifter for forebygging av ulykker, skal også de anerkjente fagtekniske regler for sikkerhetsmessig og faglig riktig arbeidsutførelse følges.

**Bruksområde**

Denne høytrykksvaskeren er designet for profesjonell bruk. Den kan brukes til rengjøring av landbruks- og anleggsutstyr, staller, kjøretøy, rustne flater osv.

Høytrykksvaskeren er ikke godkjent for rengjøring av overflater som kommer i kontakt med næringsmidler.

Enhver anvendelse utover dette er å anse som ikke korrekt. Produsenten bærer intet ansvar for skader som oppstår grunnet slik anvendelse. Korrekt anvendelse omfatter også overholdelse av drifts-, vedlikeholds- og reparasjonsbetingelsene som er foreskrevet av produsenten.

**Ytterligere støtte**

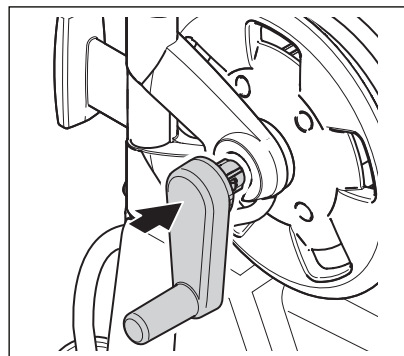
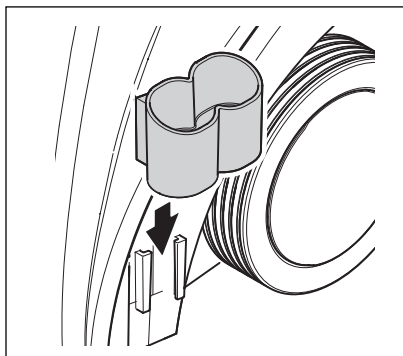
Hvis du har flere spørsmål, kan du ta kontakt med GRACO-serviceavdelingen som er ansvarlig i ditt land.

**Før bruk**

Før bruk skal høytrykksvaskeren undersøkes nøye for å konstatere eventuelle mangler eller skader. Hvis det finnes mangler eller skader, må høytrykksvaskeren ikke tas i bruk.

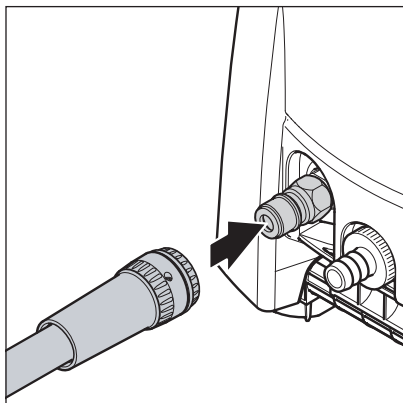
# 3 Før idriftsettelse

## Oppstilling

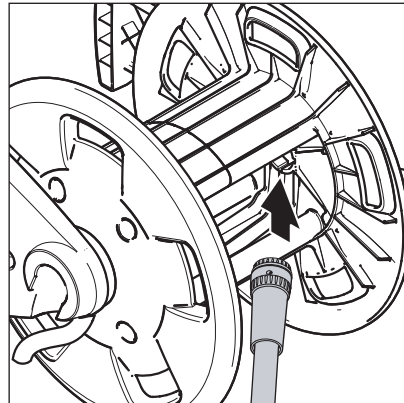


## Tilkobling av høytrykkslange

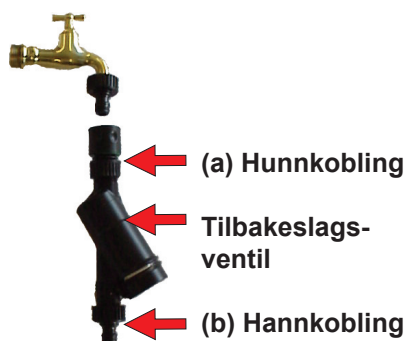
Maskiner uten slangetrommel.



Maskiner med slangetrommel.



## Tilbakeslagsventil



Denne høytrykksvaskeren er kun godkjent for tilkobling til drikkevannskran når det er installert en egnet tilbakeslagsventil, type BA ifølge EN 1717.

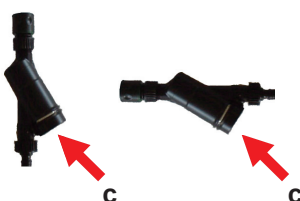
Tilbakeslagsventilen har følgende bestillingsnumre:

- Tilbakeslagsventil med GARDENA-koblinger: 106411177
- Tilbakeslagsventil med NITO-koblinger: 106411178
- Tilbakeslagsventil med GEKA-koblinger: 106411179
- Tilbakeslagsventil uten koblinger: 106411184

Koblingene har følgende bestillingsnumre:

- 3/4" GARDENA (a): 32541
- 3/4" GARDENA (b): 1608629
- 3/4" NITO (a): 1602945
- 3/4" NITO (b): 1600659
- 1/2" NITO (b): 1604669
- 3/4" GEKA (a): 1718
- 3/4" GEKA (b): 1311

## Installasjonsveiledning



1. Monter en hannkobling på vannkranen.
2. Koble (a) på tilbakeslagsventilen til vannkranen.
3. Monter en hunnkobling på vanninntaksslangen.
4. Koble (b) på tilbakeslagsventilen til vanninntaksslangen.
5. Koble vanninntaksslangen til høytrykkspyleren.
6. Slå på vannet og start maskinen.

### FORSIKTIG

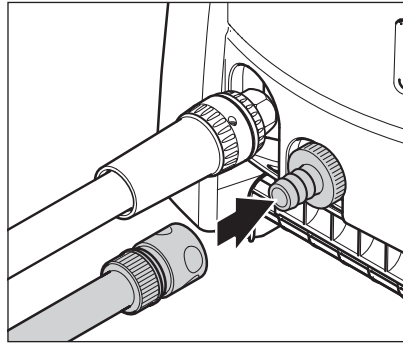
- Tilbakeslagsventilen kan monteres vertikalt eller horisontalt, og avløpsåpningen (c) må peke ned.
- Vann som renner fra avløpsåpningen (c) må kunne renne fritt.
- Hvis det er fare for at det kommer sand i tilførselsvannet (dvs. fra din egen brønn), skal det monteres et ekstra filter mellom vannkranen og tilbakeslagsventilen.
- For å dempe eventuelle trykktopper må slangen mellom tilbakeslagsventilen og høytrykksvaskeren være minst 6 meter lang (min. diameter 3/4 tommer).
- Når vannet har strømmet gjennom tilbakeslagsventilen er det ikke lenger å betrakte som drikkevann.
- Beskytt tilbakeslagsventilen mot frost.
- Hold tilbakeslagsventilen ren og fri for smuss.

## Vedlikehold

Kontroller alle funksjoner minst én gang i året, slik:

1. Slå av høytrykksspyleren etter bruk.
2. Lukk ventilen til vannkranen.
3. Frigjør trykket i tilførselsslangen ved å trykke på spylepistolen.
4. Demonter tilbakeslagsventilen. Det må komme vann ut av avløpsåpningen (c) (maks. 1 dl) for å sikre at drikkevannet blir skilt ut.
5. Hvis så ikke skjer, må du forsøke å rengjøre tilbakeslagsventilen eller kontakte din GRACO-forhandler.

## Tilkobling av vannslange



1. Skyll vannslangen med vann like før den kobles til maskinen for å unngå at sand eller andre smusspartikler trenger inn i maskinen.
2. Koble vannslangen med hurtigkobling til vanntilkoblingen.
3. Åpne vannkranen.

### FORSIKTIG

- Monter et vannfilter i vanntilførselen dersom vannkvaliteten er dårlig (sand e.l.).
- For tilkobling av maskinen, benytt en tekstilforsterket vannslange med en nominell vidde på minst  $\frac{3}{4}$ " (19 mm).

## Elektrisk tilkobling



Ved maskiner med spenningsomkobling<sup>1)</sup> må man alltid påse at korrekt nettspenning er innstilt på maskinen før støpselet stikkes i stikkontakten. Ellers kan maskinens elektriske komponenter bli ødelagt.

### FORSIKTIG

- Høytrykksvaskeren må bare kobles til et elektrisk anlegg med jordforbindelse.
- Den elektriske installasjonen må utføres av en autorisert elektriker.
- I henhold til IEC-60364-1 anbefales det sterkt at elektrisitetsforsyningen til maskinen bør være utstyrt med jordfeilbryter (GFCI)
- Pass på at tilkoplingsledningen ikke skades (f.eks. ved å bli kjørt over, klemt sammen, strukket).
- Tilkopplingsledningen må kun trekkes ut direkte ved hjelp av støpselet (ikke ved å dra og slite i ledningen).

## Skjøteledninger

Bruk bare en forlengelseskabel som anbefales av produsenten eller en kabel i enda høyere kvalitet.

Ved bruk av forlengelsesledning er det viktig at ledningens minimumstverrsnitt overholdes:

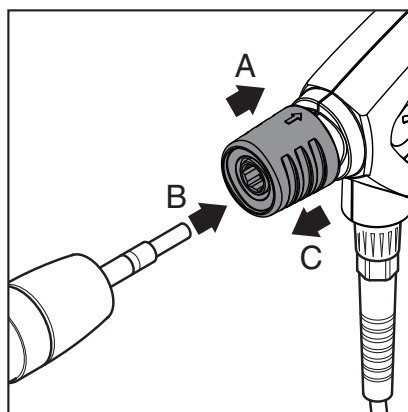
Kabellengde	Tverrsnitt	
	< 16 A	< 25 A
opp til 20 m	1.5 mm <sup>2</sup>	2.5 mm <sup>2</sup>
20 til 50 m	2.5 mm <sup>2</sup>	4.0 mm <sup>2</sup>

### FORSIKTIG

- Ved bruk av kabeltromler: På grunn av faren for over-oppheting og brann må tilkopplingsledningen alltid vikles helt av.
- Ledningsskjøter og kontakter må holdes tørre og opp fra bakken.

## 4 Betjening / drift

### Tilkobling av sprøyterøret til sprøytepipstolen

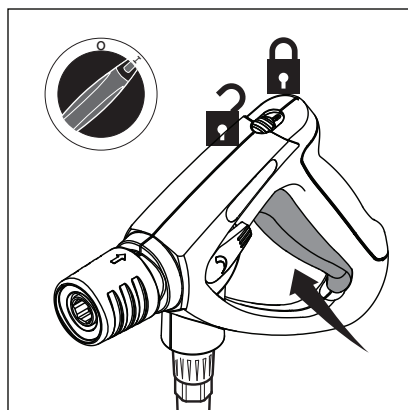


1. Trekk den blå hurtigkoblingen (A) på sprøytepipstolen bakover.
2. Stikk nippelen på lansen (B) inn i hurtigkoblingen og slipp denne frem.
3. Trekk lansen (eller annet utstyr) forover for å sjekke at den er godt festet til sprøytepipstolen.

#### FORSIKTIG

Rengjør alltid nippelen for eventuelle smusspartikler før sprøyterøret forbindes med sprøytepipstolen.

### Innkobling av maskinen ved tilkobling til vannledning

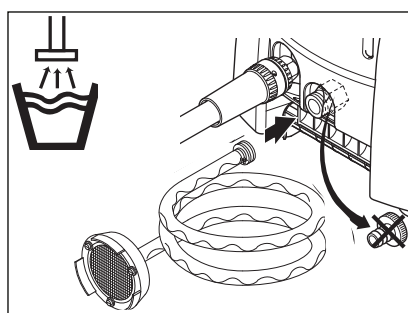


1. Sett hovedbryteren i stilling "I".
2. Lås opp og aktiver sprøytepipstolen.
3. Aktiver sikringsbolten også ved kortere arbeidspauser.

#### FORSIKTIG

For å lufte systemet, aktiver sprøytepipstolen gjentatte ganger med korte mellomrom.

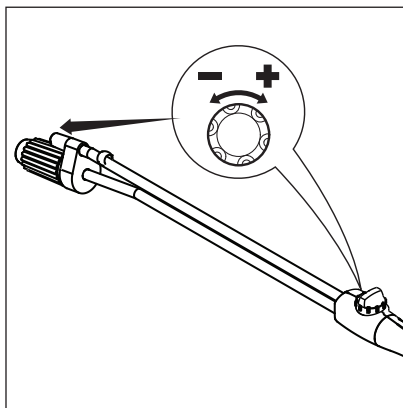
### Innkobling av maskinen ved tilkobling til åpne beholdere (sugedrift)



1. Fyll GRACO-sugesettet med vann før tilkobling til maskinen.
2. Sett hovedbryteren i stilling "I".
3. Lås opp og aktiver sprøytepipstolen.

Maks. innsugningshøyde (klargjort) = 1 m.

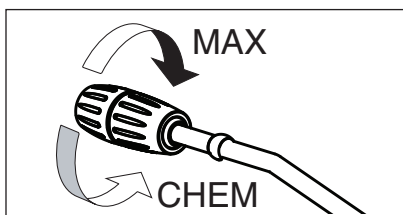
### Trykkregulering med Powerspeed Vario Plus-lanse



Drei dreieknappen på sprøyteinretningen:

- Høytrykk = med urviseren (+)
- Lavtrykk = mot urviseren (-)

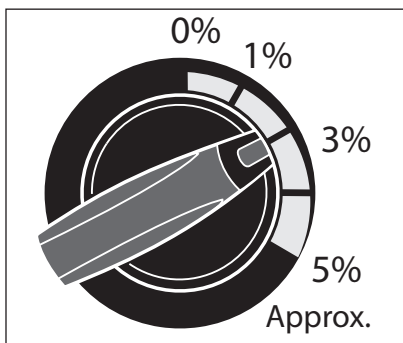
### Trykkregulering på FlexoPower Plus-dysen



Drei hylsen på FlexoPower Plus-dysen:

- Høytrykk = MAKS.
- Lavtrykk = MIN. (CHEM)

### Bruk av rengjøringsmidler



injektoren, som er montert som standard:

1. Fortynn rengjøringsmiddelet i henhold til produsentens anvisninger.
2. Still trykkregulatoren på lavt trykk.
3. Still inn ønsket mengde rengjøringsmiddel ved å dreie på doseringsventilen.
4. Sett hovedbryteren i stilling "I".
5. Aktiver sprøytepipstolen.

Kun i lavtrykksdrift kan rengjøringsmidler suges inn via

#### **FORSIKTIG**

Rengjøringsmidler må aldri få tørke. Dette kan føre til skader på overflaten som rengjøres.

# 5 Bruksområder og arbeidsmetoder

## Generelle informasjoner

Effektiv høytrykksrengjøring kan man oppnå ved å følge noen få instruksjoner, kombinert med Deres egne erfaringer på det spesielle bruksområdet. Tilbehør og rengjøringsmidler kan bedre rengjøringseffekten, forutsatt at de brukes på riktig måte. Her finner De noen grunnleggende informasjoner.

## Oppmykning

Harde eller tykke lag med smuss kan løsnes eller mykes opp hvis rengjøringsløsningen får virke i en tid. Dette er en ideell metode, spesielt innen landbruket - f.eks. for rengjøring i grisefjøs. Den beste virkningen oppnås ved bruk av skumrengjøringsmidler og alkaliske rengjøringsmidler. Sprøyt inn flaten med rengjøringsmiddel-løsning og la den virke i 30 minutter. Deretter går rengjøringen av flaten med høytrykksstrålen betydelig raskere.

## Påføring av rengjøringsmiddel og skum

Rengjøringsmiddel og skum skal sprøytes på den tørre flaten, slik at rengjørings-middelet kommer i direkte kontakt med smusset, uten ytterligere fortykning. På vertikale flater skal det jobbes nedenfra og oppover, slik at det ikke dannes striper når rengjøringsmiddel-løsningen renner nedover. La rengjørings-middelet virke i noen minutter før flaten rengjøres ved hjelp av høytrykksstrålen. Ikke la rengjøringsmiddelet tørke på flaten.

## Temperatur

Rengjøringsvirkningen blir bedre ved høyere temperaturer. Spesielt fett og olje er enklere og raskere å fjerne hvis temperaturen er høy. Proteiner er enklest å fjerne ved en temperatur på rundt 60°C, olje og fett ved en temperatur på 70 til 90°C.

## Mekaniske virkemidler

For å løse opp tykke smusslag er det i tillegg nødvendig med mekaniske virkemidler. Spesielle sprøyterør og (roterende) vaskebørster gir den beste effekten ved fjerning av smusslag.

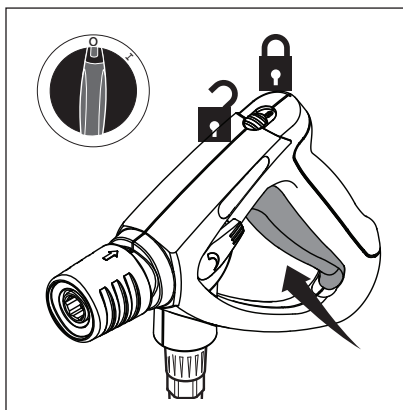
## God vanneffekt og høyt trykk

Høyt trykk er ikke alltid den beste løsningen og for høyt trykk kan til og med skade overflatene som skal rengjøres. Rengjøringsvirkningen er i like stor grad avhengig av vanneffekten. Et trykk på 100 bar (i kombinasjon med varmt vann) er tilstrekkelig ved rengjøring av kjøretøyer. En høyere vanneffekt gjør det mulig å spyle løs og bevege løsnet smuss.



## 6 Etter arbeidet

### Utkobling av maskinen



1. Slå av hovedbryteren, bryteren i stilling "OFF".
2. Steng vannkranen.
3. Aktiver sprøytepipstolen til maskinen er trykløs.
4. Aktiver sikringsbolten på sprøytepipstolen.

### Opprulling av tilkoblingsledning og høytrykkslange, oppbevaring av tilbehør

1. Rull opp tilkoblingsledningen.
2. Rull opp høytrykkslangen.
3. Heng sprøyterøret og tilbehøret på holderne.

#### FORSIKTIG

Snubelfare. Rull alltid opp strømleningen og slangen omhyggelig for å unngå ulykker.

### Oppbevaring

Oppbevar maskinen tørt og frostfritt.

### Oppbevaring av maskinen (frostsikker lagring)

Hvis høytrykksvaskeren settes i et rom hvor det er en temperatur på rundt eller under 0°C, må først frostvæske suges opp gjennom pumpen:

1. Koble vanninnløpsslangen fra apparatet.
2. Ta av sprøyterøret.
3. Slå på apparatet, bryterstilling "I".
4. Koble en sugeslange til spylereens vanninntak og plasser den andre enden av slangen i en beholder med frostvæske.
5. Slå på apparatet, bryterstilling "I".
6. Hold sprøytepipstolen over beholderen med frostvæske og aktiver pipstolen for å starte innsugingen.
7. Aktiver sprøytepipstolen 2 til 3 ganger mens innsugingen pågår.
8. Løft innsugingsslangen ut av beholderen med frostvæske og aktiver sprøytepipstolen for å pumpe ut resten av frostvæsken.
9. Slå av apparatet.

#### FORSIKTIG

- For å unngå enhver risiko skal apparatet om mulig mellomlagres i et oppvarmet rom før det settes i drift igjen.
- Start aldri opp en frossen maskin.

## 7 Utbedring av feil

Feil	Årsak	Utbedring
Trykkfall	<ul style="list-style-type: none"> <li>• Luft i systemet</li> <li>• Høytrykksdyse tilstoppet/slitt</li> <li>• Beholder for rengjøringsmiddel tom</li> </ul>	<ul style="list-style-type: none"> <li>• Avluft systemt ved å aktivere sprøytepipstolen flere ganger med korte mellomrom, sett ev. maskinen i drift i kort tid uten tilkoplett høytrykks-slange</li> <li>• Rengjør/skift ut høytrykksdysen</li> <li>• Fyll beholderen for rengjøringsmiddel eller sett doseringsventilen i stilling "0"</li> </ul>
Trykkvariasjoner	<ul style="list-style-type: none"> <li>• Pumpe suger inn luft (kun mulig ved sugedrift)</li> <li>• Vannmangel</li> <li>• Vanninnløpsslange for lang hhv. for lite tverrsnitt</li> <li>• Vannmangel grunnet tilstoppet vannfilter</li> <li>• Vannmangel grunnet ignorering av max. tillatt innsugingshøyde</li> </ul>	<ul style="list-style-type: none"> <li>• Kontroller sugesettets lufttetthet</li> <li>• Åpne vannkranen</li> <li>• Bruk foreskrevet vanninnløpsslange</li> <li>• Rengjør vannfilteret i vanntilkoplingen (bruk aldri maskinen uten vannfilter!)</li> <li>• Se Idriftsettelse</li> </ul>
Motoren starter ikke ved innkopling	<ul style="list-style-type: none"> <li>• Støpsel ikke satt i riktig, strømbrudd</li> </ul>	<ul style="list-style-type: none"> <li>• Kontroller støpsel, ledning og bryter og la om nødvendig en elektriker skifte ut delen</li> </ul>
Motoren brummer ved innkopling uten å starte	<ul style="list-style-type: none"> <li>• Nettsikring utkoplett</li> <li>• Nettspenning for lav eller fasevikt</li> <li>• Pumpe blokkert eller frossen</li> </ul>	<ul style="list-style-type: none"> <li>• Slå på nettsikringen</li> <li>• La en fagmann kontrollere den elektriske tilkoplingen</li> <li>• Ta kontakt med GRACO-kundeservice</li> </ul>
Motoren kopler ut	<ul style="list-style-type: none"> <li>• Feil tverrsnitt eller lengde på forlengeskabelen</li> <li>• Overlastvern utløst grunnet overoppheting eller overbelastning av motoren</li> </ul>	<ul style="list-style-type: none"> <li>• Bruk riktig kabeltverrsnitt hhv. lengde</li> <li>• La en fagmann kontrollere overensstemmelse mellom forsyningsspenning og apparatsspenning. Utkopling og avkjøling i minst 3 minutter</li> </ul>
Rengjøringsmiddel mangler	<ul style="list-style-type: none"> <li>• Høytrykksdyse skitten</li> <li>• Injektor skitten eller sugeslange tilstoppet</li> <li>• Rengjøringsmiddelbeholder tom</li> <li>• Dreieknapp på sprøyterøret ikke innstilt til lavtrykk</li> </ul>	<ul style="list-style-type: none"> <li>• Skift ut høytrykksdysen</li> <li>• Rengjør</li> <li>• Fyll opp</li> <li>• Drei dreieknappen på sprøyterøret mot urviseren til anslag</li> </ul>

## 8 Annet

### Transport

For sikker transport i og på kjøretøy anbefaler vi å feste maskinen med bånd på en skli- og veltesikker måte.

Transport med liggende maskin:

- Tipp eller legg ikke maskinen på den siden der tilkoblingene befinner seg.
- Ta sugeslangen ut av beholderen for rengjøringsmiddel og steng beholderen med dekselet som følger med.
- Før maskinen kobles til: Påse at oljen fra oppfangingsbeholderen har rent tilbake til pumpehuset. Kontroller oljenivået og etterfyll om nødvendig.

Ved transport av maskinen eller tilbehør ved temperaturer rundt eller under 0°C, anbefaler vi å bruke frostvæske som beskrevet i kapittel 5.

### Reparasjon og vedlikehold

Trekk alltid støpselet ut av stikkontakten før det blir utført vedlikehold på høytrykksvaskeren.

### Resirkulering av maskinen

En utrangert maskin skal omgående gjøres ubrukelig.

1. Kople fra nettstøpselet
2. Klipp over tilkopplingsledningen.
3. Elektrisk utstyr skal ikke kastes som husholdningsavfall.



I henhold til det europeiske direktivet 2002/96/EC om utrangerte elektriske og elektroniske apparater må brukte elektriske apparater utsorteres og resirkuleres på miljøvennlig måte.

### Garanti

For garantien gjelder våre generelle forretningsvilkår.

Rett til endringer grunnet tekniske fremskritt forbeholdes.

## EF-konformitetserklæring



# EC-DECLARATION OF CONFORMITY

EG-VERKLARING VAN OVEREENSTEMMING, DÉCLARATION DE CONFORMITÉ CE, EG-KONFORMITÄTSEKTLÄRUNG, DICHIARAZIONE DI CONFORMITÀ CE, EF-OVERENSSTEMMELSESERKLÆRING, ΕΚ-ΔΗΛΩΣΗ ΣΥΜΜΟΡΦΩΣΗΣ, DECLARAÇÃO DE CONFORMIDADE - CE, DECLARACIÓN DE CONFORMIDAD DE LA CE, EY-VAATIMUSTENMUKAISUUSVAKUUTUS, EG-DEKLARATION OM ÖVERENSSTÄMMELSE, ES PROHLÁŠENÍ O SHODĚ, EŪ VASTAVUSDEKLARATSIOON, EC MEGFEJELŐSÉGI NYILATKOZAT, EK ATBILSTĪBAS DEKLARĀCIJA, ES ATĪTĪKĪES DEKLARĀCIJA, DEKLARACJA ZGODNOŚCI UE, DIKJARAZZJONI-KE TA' KONFORMITA', IZJAVA ES O SKLADNOSTI, ES - VYHLÁŠENIE O ZHODE, EO-ДЕКЛАРАЦИЯ ЗА СЪВМЕСТИМОСТ, DEIMHNIŪ COMHRÉIREACHTA CE, CE-DECLARAȚIE DE CONFORMITATE

## Model

Modèle, Modell, Modello, Μοντέλο,  
Modelo, Malli, Mudel, Modelis, Mudell, Модел, Samhail

AquaMax 2330E, 2335E

## Part

Bestelnr., Type, Teil, Codice, Del, Μέρος, Peça,  
Referencia, Osa, Součást, Részegység, Daja, Dalis,  
Część, Taqsim, Čast', Част', Páirt, Parte

287428, 287429

## Complies With The EC Directives:

Voldeet aan de EG-richtlijnen, Conforme aux directives CE, Entspricht den EG-Richtlinien, Conforme alle direttive CE, Overholder EF-direktiverne, Σύμφωνα με τις Οδηγίες της ΕΚ, Em conformidade com as Directivas CE, Cumple las directivas de la CE, Täyttää EY-direktiivien vaatimukset, Uppfyller EG-direktiven, Shoda se směrnicemi ES, Vastab EŪ direktiividele, Kielégíti az EK irányelvek követelményeit, Atbilst EK direktīvām, Atitinka šias ES direktyvas, Zgodność z Dyrektywami UE, Konformi mad-Direttivi tal-KE, V skladu z direktivami ES, Je v súlade so smernicami ES, Съвместимост с Директиви на ЕО, Tá ag teacht le Treoracha an CE, Respectă directivele CE

2006/42/EC Machine Directive

2006/95/EC Low Voltage Directive

2004/108/EC EMC Directive

## Standards Used:

Gebruikte maatstaven, Normes respectées, Verwendete Normen, Norme applicate, Anvendte standarder, Πρότυπα που χρησιμοποιήθηκαν, Normas utilizadas, Normas aplicadas, Sovellettavat standardit, Tillämpade standarder, Použité normy, Rakendatud standardid, Alkalmazott szabványok, Izmantotie standarti, Taikyti standartai, Użyte normy, Standards Uzati, Uporabljeni standardi, Použité normy, Използвани стандарти, Caighdeán arna n-úsáid, Standarde utilizate

EN 12100, EN 60335-2-79, EN 55014-1, EN 55014-2, EN 61000-3-2, DIN EN 60335-2-79

## Notified Body for Directive

Aangemelde instantie voor richtlijn, Organisme notifié pour la directive, Benannte Stelle für diese Richtlinie, Ente certificatore della direttiva, Bemyndiget organ for direktiv, Διακοινωμένο όργανο Οδηγίας, Organismo notificado relativamente à directiva, Organismo notificado de la directiva, Direktiivin mukaisesti ilmoitettu tarkastuslaitos, Anmält organ för direktivet, Úředně oznámený orgán pro směrnici, Teavitatud asutus (direktiivi järgi), Az irányelvvél kapcsolatban értesített testület, Pilnvarotā iestāde saskaņā ar direktīvu, Apie direktīvu Informuota institūcija, Ciało powiadomione dla Dyrektywy, Korp avzat bid-Direttiva, Priglašeni organ za direktivo, Notifikovaný orgán pre smernicu, Нотифициран орган за Директива, Comhlacht ar tugadh fógra dó, Organism notificat în conformitate cu directiva

--	--	--	--

## Approved By:

Goedgekeurd door, Approuvé par, Genehmigt von, Approvato da, Godkendt af, Έγκριση από, Aprovado por, Aprobado por, Hyväksynyt, Intygas av, Schwäilit, Kinnitanud, Jóváhagyta, Apstiprināts, Patvirtino, Zatwierdzone przez, Approvat minn, Odobril, Schválené, Одобрено от, Faofa ag, Aprobat de

Hans van Cranenbroek

Manufacturing, Engineering and Warehousing Manager

10 JANUARY 2011


















Manufactured By:  
GRACO INC.  
88 - 11<sup>th</sup> Avenue N.E.  
Minneapolis, MN 55413  
USA

Authorized Representative:  
GRACO N.V.  
Slakweidestraat 31  
3630 Maasmechelen  
BELGIUM

199382

A

## Tekniske data

		AquaMax 2330E	AquaMax 2335E
	V/Ph/Hz	230/1/50	400/3/50
	A	16	10
	kW	3.3	4.2
<b>I</b>	A	15	7.6
		IP X5	IP X5
	bar/MPa	160/16	160/16
	bar/MPa	200/20	200/20
	l/h	560	700
	l/h	620	760
<b>Cleaning Impact</b>	kg/Force	3.0	3.6
		0350	0475
	°C	50	50
	bar / MPa	10/1	10/1
	mm	450 x 380 x 1040	450 x 380 x 1040
	kg	40.4	40.4
 <b>EN 60704-1</b>	dB(A)	74.6	75
 <b>L<sub>WA</sub></b>	dB(A)	87.9	90
<b>Vibration ISO 5349</b>	m/s <sup>2</sup>	< 2.5	< 2.5
<b>Recoil forces</b>	N	28	35
	l	0.225	0.225
 <b>TYPE</b>	Agip Rotra 80W-90		

## Graco standardgaranti

Graco garanterer for alt utstyr som det henvises til i dette dokumentet som er produsert av Graco og bærer dets navn for å være fri for defekter på materiale og utførelse på den salgsdatoen den opprinnelige kjøperen kjøpte utstyret for bruk. Med unntak av enhver spesiell, utvidet eller begrenset garanti som utgis av Graco, vil Graco, for en periode på tolv måneder fra salgsdatoen, reparere eller erstatte enhver del av utstyret som Graco avgjør å være defekt. Denne garantien gjelder kun når utstyret er installert, drevet og vedlikeholdt i samsvar med Gracos skriftlige anbefalinger.

Denne garantien dekker ikke, og Graco skal ikke holdes ansvarlig for generell slitasje, eller feil, skader eller slitasje som forårsakes av feilaktig installering, feil bruk, avsliting, korrosjon, utilstrekkelig eller feilaktig vedlikehold, uaktsomhet, ulykker, sabotasje, eller erstatning av komponenter som ikke lages av Graco. Graco skal heller ikke holdes ansvarlig for feil, skader eller slitasje som forårsakes av inkompatibilitet av Graco utstyr med strukturer, tilbehør, utstyr eller materialer som ikke er levert av Graco, eller feilaktig utforming, produksjon, installering, drift eller vedlikehold av strukturer, tilbehør, utstyr eller materialer som ikke er levert av Graco.

Denne garantien forutsetter forhåndsbetalt retur av det utstyret som hevdes å være defekt til en autorisert Graco-distributør for verifisering av den hevdede feilen. Hvis den hevdede defekten er bekreftet, vil Graco reparere eller erstatte eventuelle defekte deler kostnadsfritt. Utstyret vil bli returnert til opprinnelig kjøper når transporten er forhåndsbetalt. Hvis inspeksjon av utstyret ikke avslører noen feil i materiale eller utførelse, vil reparasjonene gjøres til en rimelig kostnad, og slike kostnader kan omfatte kostnader til deler, arbeid og transport.

DENNE GARANTIEN ER EKSKLUSIV, OG ER ISTEDET FOR ALLE ANDRE GARANTIER, UTTRYKT ELLER UNDERFORSTÅTT, INKLUDERT, MEN IKKE BEGRENSET TIL, GARANTI FOR SALGBARHET ELLER GARANTI FOR EGNETHET FOR ET BESTEMT FORMÅL.

Gracos eneste forpliktelse og kjøpers eneste kompensasjon for brudd på garantien skal være som angitt ovenfor. Kjøperen samtykker i at ingen andre midler (inkludert, men ikke begrenset til, tilfeldige eller følgeskader for tapt fortjeneste, tapt omsetning, skade på person eller eiendom, eller andre følgeskader eller tilfeldige tap) skal være tilgjengelig. Enhver sak for brudd på garantien må fremsettes innen to (2) år etter salgsdatoen.

GRACO GIR INGEN GARANTI, OG FRASKRIVER SEG ALLE UNDERFORSTÅTTE GARANTIER OM SALGBARHET OG EGNETHET FOR ET BESTEMT FORMÅL, I FORBINDELSE MED TILBEHØR, UTSTYR, MATERIALER ELLER KOMPONENTER SOLGT, MEN IKKE PRODUSERT AV GRACO. Disse varene som er solgt, men ikke produsert av Graco (for eksempel elektriske motorer, brytere, slanger osv.), er underlagt garantien, om noen, av varenes produsent. Graco vil gi kjøperen rimelig assistanse med å gjøre ethvert krav for brudd på disse garantiene.

I ingen tilfeller skal Graco være ansvarlig for indirekte, tilfeldige, spesielle eller følgeskader som skyldes Gracos leveranse av utstyr, herunder eller utstyret, ytelsen eller bruk av produkter eller andre varer som selges under dette, enten som følge av kontraktsbrudd, brudd på garanti, uaktsomhet av Graco, eller på annen måte.

**Graco reserves the right to make changes at any time without notice.**

**Oversettelse av den opprinnelige instruksjonshåndboken. This manual contains Norwegian.**

**MM 3A1490**

**Graco Headquarters: Minneapolis**

**International Offices: Belgium, China, Japan, Korea**

**GRACO INC. P.O. BOX 1441 MINNEAPOLIS, MN 55440-1441**

**www.graco.com**

# Innehåll

<b>1</b>	<b>Viktiga säkerhetsanvisningar.....</b>	<b>106</b>
	<i>Utmärkningar i bruksanvisningen .....</i>	<i>106</i>
	<i>Varningar .....</i>	<i>106</i>
<b>2</b>	<b>Beskrivning.....</b>	<b>108</b>
	<i>Manöverorgan.....</i>	<i>108</i>
	<i>Bruksanvisning .....</i>	<i>109</i>
	<i>Användningsområden.....</i>	<i>109</i>
	<i>Ytterligare stöd.....</i>	<i>109</i>
	<i>Innan du börjar använda högtrycksvätten .....</i>	<i>109</i>
<b>3</b>	<b>Before starting the cleaner.....</b>	<b>110</b>
	<i>Uppställning.....</i>	<i>110</i>
	<i>Anslutning av högtrycksslang .....</i>	<i>110</i>
	<i>BA-ventil .....</i>	<i>111</i>
	<i>Installationsguide .....</i>	<i>111</i>
	<i>Underhåll .....</i>	<i>111</i>
	<i>Anslutning av vattenslang.....</i>	<i>112</i>
	<i>Elektrisk anslutning.....</i>	<i>112</i>
	<i>Skarvsladdar.....</i>	<i>112</i>
<b>4</b>	<b>Manövrering/drift.....</b>	<b>113</b>
	<i>Ansluta sprutröret till sprutpistolen.....</i>	<i>113</i>
	<i>Inkoppling av maskinen efter anslutning till en vattenledning.....</i>	<i>113</i>
	<i>Inkoppling av maskinen efter anslutning till en öppen behållare (vattensugning).....</i>	<i>113</i>
	<i>Tryckreglering med Powerspeed Vario Plus-lans .....</i>	<i>114</i>
	<i>Tryckreglering vid FlexoPower Plus-munstycke .....</i>	<i>114</i>
	<i>Användning av rengöringsmedel .....</i>	<i>114</i>
<b>5</b>	<b>Användningsområden och arbetsmetoder.....</b>	<b>115</b>
	<i>Allmänt.....</i>	<i>115</i>
	<i>Blöta upp.....</i>	<i>115</i>
	<i>Spruta på rengöringsmedel och skum.....</i>	<i>115</i>
	<i>Temperatur.....</i>	<i>115</i>
	<i>Mekanisk verkan.....</i>	<i>115</i>
	<i>Stor mängd vatten och högt tryck.....</i>	<i>115</i>
<b>6</b>	<b>Efter arbetet .....</b>	<b>116</b>
	<i>Avstängning av maskinen.....</i>	<i>116</i>
	<i>Upprullning av anslutningskabel och undanstuvning av tillbehör .....</i>	<i>116</i>
	<i>Lagring.....</i>	<i>116</i>
	<i>Förvaring av maskinen (frostsäker lagring) .....</i>	<i>116</i>
<b>7</b>	<b>Avhjälpande av störningar .....</b>	<b>117</b>
<b>8</b>	<b>Övrigt.....</b>	<b>118</b>
	<i>Transport.....</i>	<i>118</i>
	<i>Reparation och underhåll.....</i>	<i>118</i>
	<i>Lämna in maskinen för återvinning.....</i>	<i>118</i>
	<i>Garanti.....</i>	<i>118</i>
	<i>EG-försäkran om överensstämmelse .....</i>	<i>119</i>
	<i>Tekniska data.....</i>	<i>120</i>
	<i>Graco standardgaranti.....</i>	<i>121</i>

# 1 Viktiga säkerhetsanvisningar

## Utmärkningar i bruksanvisningen

### FARA

Fara som omedelbart leder till svåra och obotliga personskador eller dödsfall.

### VARNING

Fara som kan leda till svåra personskador eller dödsfall.

### SE UPP

Fara som kan leda till lätta personskador eller materiell skada.

## Varningar

### WARNING

- Alla arbetssätt som medför en säkerhetsrisk skall undvikas.
- Mekaniska eller elektriska säkerhetsanordningarna får inte ändras.
- Denna dammsugare får inte användas av barn eller personer med reducerad fysisk eller mental förmåga, eller brist på erfarenhet och kunskap, såvida de inte instrueras eller övervakas.
- Denna maskin skall endast användas ihop med rengöringskemikalier som tillhandahålls eller rekommenderas av GRACO. Användning av andra rengöringskemikalier kan försämra maskinens säkerhet.
- Risk för explosion – Använd inte högtryckstvätten för att spruta lättantändliga vätskor.





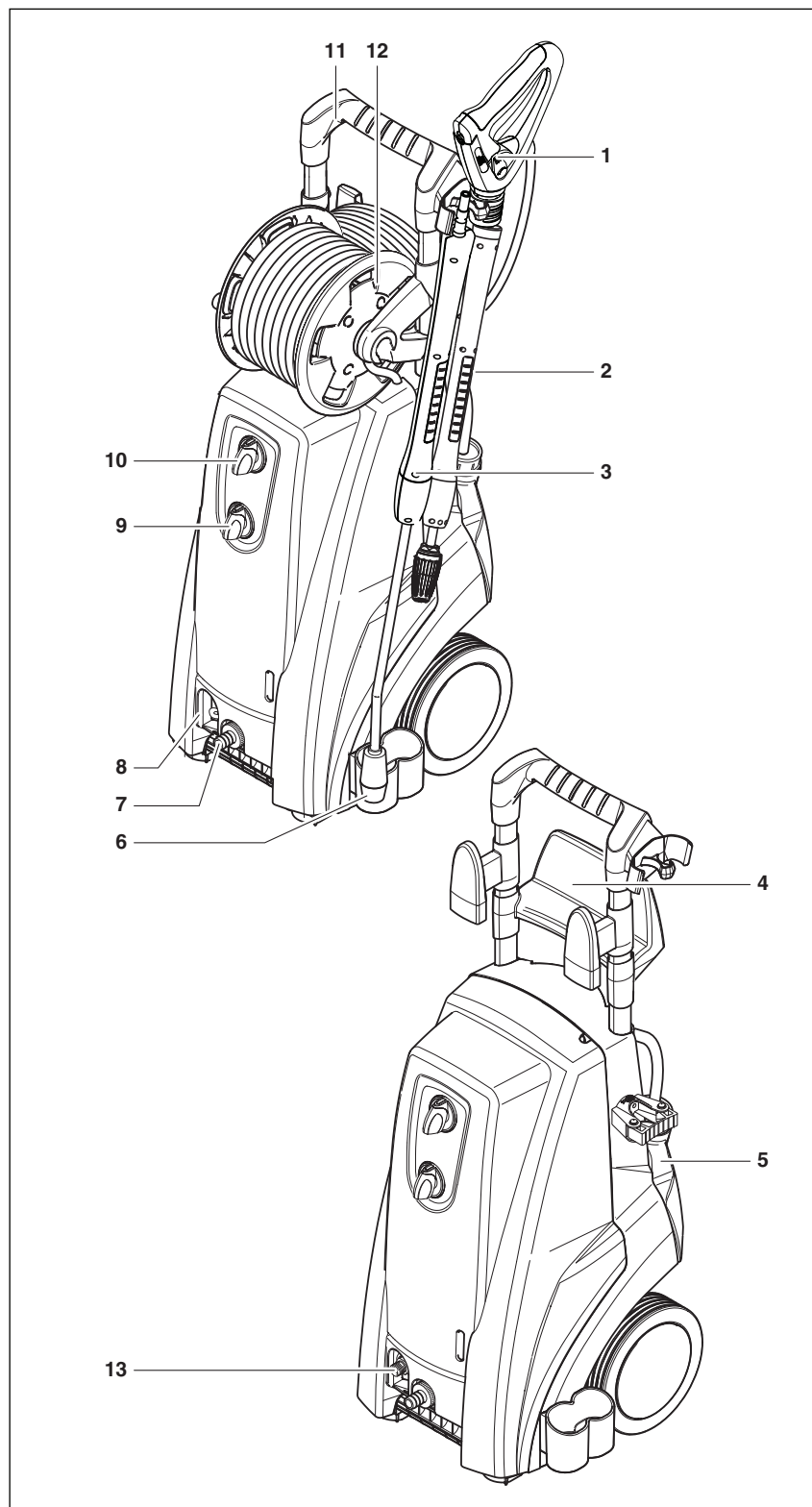
### CAUTION

- Högtrycksstrålar kan vara farliga. Rikta aldrig vattenstrålen mot personer, husdjur, elutrustning eller mot själva maskinen.
- Försök aldrig rengöra kläder eller fotbeklädnader på dig själv eller andra personer.
- Operatören och andra i omedelbar närhet av rengöringsplatsen bör vidta åtgärder för att inte träffas av skräp som lossnar under arbetet. Bär glasögon under arbetets gång.
- Täck inte över maskinen medan den är i drift.
- Använd aldrig maskinen i omgivningar där det finns risk för explosion. Kontakta de lokala myndigheterna vid tveksamheter.
- Det är inte tillåtet att rengöra ytor som innehåller asbest med högt tryck.
- Denna högtryckstvätt skall inte användas vid temperaturer under 0 °C.
- Använd endast korrekt bränsle som specificerat. Felaktiga bränslen kan orsaka allvarliga risker.
- Under maskinens drift uppstår rekylkrafter, och vid vinklat sprutningsrör dessutom ett vridmoment. Håll därför fast sprutanordningen ordentligt med båda händerna.
- Kontrollera det föremål som skall rengöras med avseende på farliga ämnen som eventuellt kan lösas upp och spridas i miljön som t ex asbest och olja.
- Känsliga detaljer av gummi, textilier och liknande ska inte rengöras med punktstrålen. Vid rengöringen ska ett tillräckligt avstånd finnas mellan högtrycksdysa och yta, för att förhindra att skador uppstår på den yta som ska rengöras.
- Ta aldrig maskinen i drift utan vatten. Även en kort tids vattenbrist leder till svåra skador på pumpmanschetterna.
- All slags arbete som innebär säkerhetsrisker skall undvikas.
- Lås inte avtryckaren i öppet läge.

## 2 Beskrivning

### Manöverorgan

- |                                    |   |
|------------------------------------|---|
| 1. Spolhandtag                     | vatteninloppsfilter                     |
| 2. Elanslutningskabel              | 8. Vattentillförsel till slangvinda     |
| 3. Spolrör                         | 9. Huvudströmbrytare                    |
| 4. Hållare för nätanslutningskabel | 10. Doseringsventil för rengöringsmedel |
| 5. Rengöringsmedelstank            | 11. Dragbygel                           |
| 6. Spolrörshållare                 | 12. Slangvinda <sup>1)</sup>            |
| 7. Vattenanslutning och            | 13. Anslutning för högtrycksslang       |



**Bruksanvisning**

Innan du tar apparaten i drift, ska du absolut läsa igenom detta dokument och förvara det så att det alltid finns till hands.

Maskinen skall bedrivas enligt gällande nationella bestämmelser. Förutom bruksanvisningen och de i användarlandet gällande tvingande föreskrifterna för förebyggande av olycksfall skall även vedertagna facktekniska regler för säkert och yrkeskunnigt arbete beaktas.

**Användningsområden**

Denna högtryckstvätt har tagits fram för professionell användning. Den kan användas för rengöring av jordbruksredskap och byggnadsutrustning, stall, fordon, rostiga ytor, etc.

Apparaten är inte godkänd för att rengöra ytor som kommit i kontakt med föda.

All annan användning betraktas som ej avsedd användning. För skador som uppstår pga sådan användning ansvarar inte tillverkaren. Avsedd användning innefattar även att tillverkarens föreskrivna drift-, underhålls- och reparationsvillkor följs.

**Ytterligare stöd**

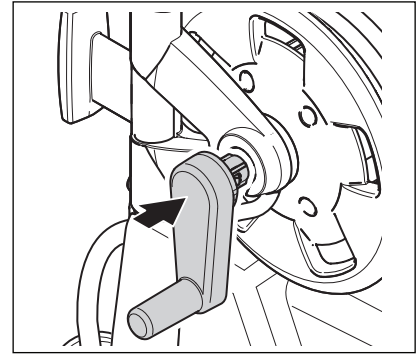
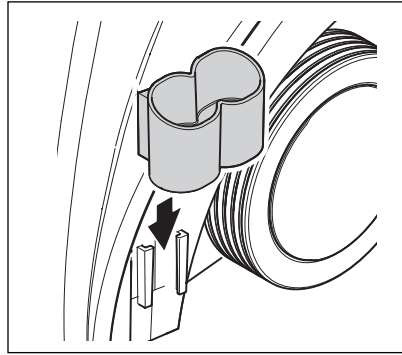
För ytterligare frågor ber vid dig kontakta den ansvarig GRACO-service i ditt land.

**Innan du börjar använda högtryckstvätten**

Kontrollera att det inte är något fel på maskinen innan du startar den. Starta inte maskinen om du hittar något fel.

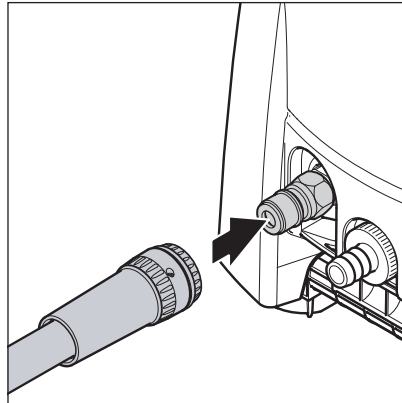
### 3 Before starting the cleaner

#### Uppställning

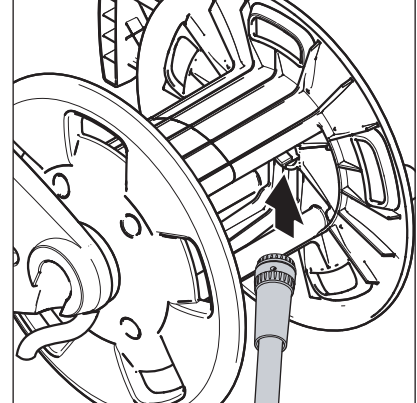


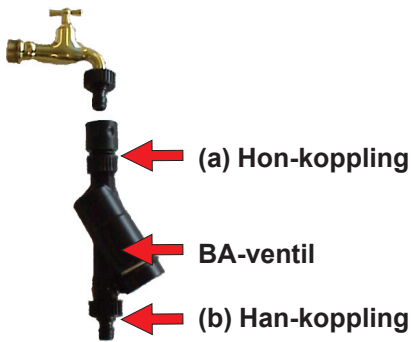
#### Anslutning av högtryckssläng

Maskin utan slangvinda.



Maskin med slangvinda.



**BA-ventil**

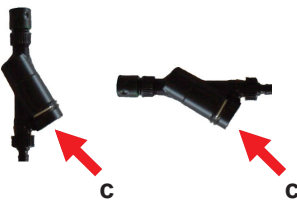
Denna högtryckstvätt får endast anslutas till dricksvattnenätet när ett lämpligt återströmningsskydd har installerats, Typ BA enligt EN 1717.

BA-ventilen kan beställas enligt följande nummer:

- BA-ventil inklusive GARDENA-kopplingar: 106411177
- BA-ventil inklusive NITO-kopplingar: 106411178
- BA-ventil inklusive GEKA-kopplingar: 106411179
- BA-ventil utan kopplingar: 106411184

Kopplingarna kan beställas enligt följande nummer:

- $\frac{3}{4}$ -tum GARDENA (a): 32541
- $\frac{3}{4}$ -tum GARDENA (b): 1608629
- $\frac{3}{4}$ -tum NITO (a): 1602945
- $\frac{3}{4}$ -tum NITO (b): 1600659
- $\frac{1}{2}$ -tum NITO (b): 1604669
- $\frac{3}{4}$ -tum GEKA (a): 1718
- $\frac{3}{4}$ -tum GEKA (b): 1311

**Installationsguide**

1. Montera han-kopplingen på vattenkranen.
2. Anslut (a) på BA-ventilen till vattenkranen.
3. Montera en hon-koppling på vattenslangen.
4. Anslut (b) på BA-ventilen till vattenslangen.
5. Anslut vattenslangen till högtryckstvätten.
6. Vrid på vattnet och starta maskinen.

**CAUTION**

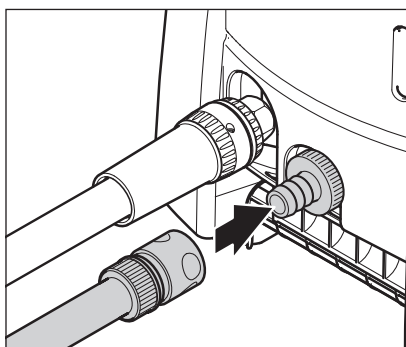
- Återflödesskydd kan monteras endera vertikalt eller horisontellt och utloppsöppningen (c) ska vara monterad pekande neråt.
- Vatten som flödar från utloppsöppningen (c) ska kunna flöda fritt.
- Om det finns risk för sand i inloppsvattnet (dvs. från din egen brunn), bör ett extra filter monteras mellan vattenkranen och återflödesskyddet.
- Längden på slangen mellan återströmningsskyddet och högtryckstvätten måste vara minst 12 meter (min. diameter  $\frac{3}{4}$  tum) för att absorbera eventuella tryckpikar.
- Så fort vatten har flödat genom BA-ventilen betraktas vattnet inte längre som dricksvatten.
- Skydda återströmningsskyddet från exponering för kyla.
- Håll återströmningsskyddet rent och fritt från smuts.

**Underhåll**

Kontrollera funktionen minst en gång om året enligt följande:

1. Stäng av högtryckstvätten efter arbetsdagens slut.
2. Stäng ventilen på vattenkranen.
3. Minska trycket i försörjningsslangen genom att utlösa sprutpistolen.
4. Demontera återflödesskyddet. Vatten måste komma ut ur utloppsöppningen (c) (max 100 ml) för att säkerställa att dricksvattnet separeras från slangvattnet.
5. Om så inte sker, försök rengöra BA-ventilen eller kontakta din GRACO återförsäljare.

## Anslutning av vattenslang



1. Spola igenom vattenslangen ett ögonblick med vatten innan den ansluts till maskinen, för att inte sand eller andra smutspartiklar ska komma in i maskinen.
2. Anslut vattenslangen till maskinens vattenanslutning med snabbkopplingen.
3. Öppna vattenkranen.

### CAUTION

- Vid dålig vattenkvalitet (flytsand etc.) ska ett vattenfilter monteras vid vatteninloppet.
- För anslutning till maskinen ska en vävförstärkt vattenslang med en dimension av minst 3/4" (19 mm) användas.

## Elektrisk anslutning



Vid maskiner med spännings-omkoppling<sup>1)</sup> ska man absolut ge akt på att korrekt nätspänning har ställts in på maskinen innan kontaktdonet ansluts till vägguttaget. I annat fall kan maskinens elektriska komponenter förstöras.

### CAUTION

- Anslut bara maskinen till ett nät som har en jordad kontakt.
- Elinstallation måste utföras av en behörig elektriker.
- Enligt IEC-60364-1 rekommenderas starkt att elförsörjningen till denna maskin innehåller en jordfelsbrytare (GFCI)
- Nätanslutningskabeln får inte skadas (t ex genom överkörning, dragning, klämning).
- Stickkontakten får endast dras ur genom att fatta i kontakten (inte genom att dra eller slita i nätanslutningskabeln).

## Skarvsladdar

Om en förlängnings slang behövs ska endast en slang som föreskrivs av användaren eller av ännu högre kvalitet användas.

När förlängningskabel används, ska man ge akt på minsta ledararea:

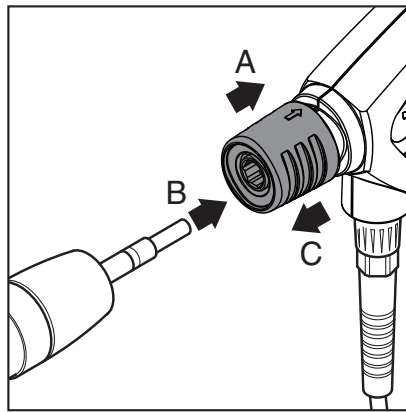
Kabellängd	Area	
	< 16 A	< 25 A
upp till 20 m	1.5 mm <sup>2</sup>	2.5 mm <sup>2</sup>
20 till 50 m	2.5 mm <sup>2</sup>	4.0 mm <sup>2</sup>

### CAUTION

- Vid användning av kabelvindor: På grund av risk för överhettning och brand ska alltid anslutningskabeln rullas av helt.
- Kablarna skall förvaras torra och ovanför marken.

## 4 Manövrering/drift

### Ansluta sprutröret till sprutpistolen

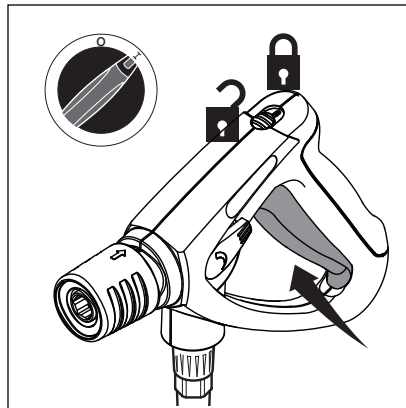


1. Dra sprutpistolens blå snabbkopplingsfäste (A) bakåt.
2. Stick in sprutrörets nippel (B) i snabbkopplingen och släpp den.
3. Dra sprutröret (eller annat tillbehör) framåt för att säkerställa att det är fast förbundet med sprutpistolen.

#### CAUTION

Rengör alltid nippeln från eventuella smutspartiklar innan sprutröret ansluts till sprutpistolen.

### Inkoppling av maskinen efter anslutning till en vattenledning

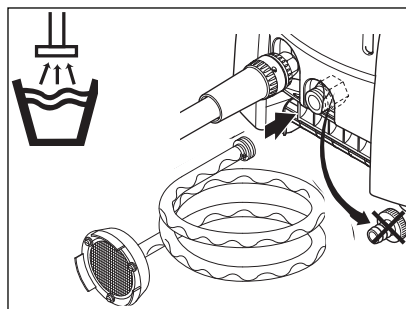


1. Vrid huvudströmbrytaren till läge „I“.
2. Frigör spolhandtaget och tryck in avtryckaren.
3. Lägg in låsregeln även vid kortvariga avbrott i arbetet.

#### CAUTION

För att avlufta systemet ska spolhandtaget påverkas upprepade gånger med korta intervall.

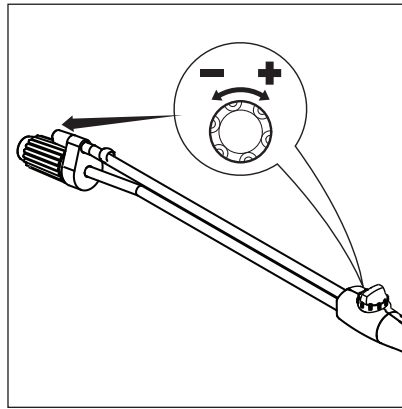
### Inkoppling av maskinen efter anslutning till en öppen behållare (vattensugning)



1. Fyll GRACO sugset med vatten innan det ansluts till maskinen.
2. Vrid huvudströmbrytaren till läge „I“.
3. Frigör spolhandtaget och tryck in avtryckaren.

Max. sughöjd (Flöde) = 1 m.

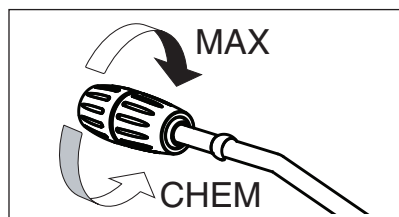
### Tryckreglering med Powerspeed Vario Plus-lans



Vrid reglaget på sprutanordningen:

- Högtryck = medurs (+)
- Lågtryck = moturs (-)

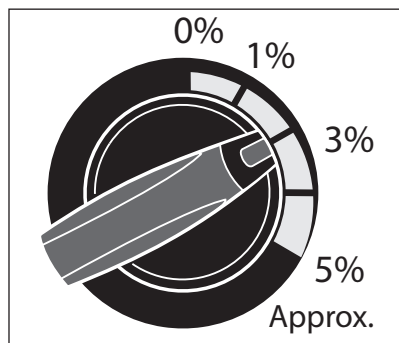
### Tryckreglering vid FlexoPower Plus-munstycke



Vrid hylsan på FlexoPower Plus-munstycket:

- Högtryck = MAX.
- Lågtryck = MIN. (CHEM)

### Användning av rengöringsmedel



in, kan rengöringsmedel sugas in via den seriemässigt inbyggda injektorn:

1. Förtunna rengöringsmedlet enligt tillverkarens föreskrifter.
2. Ställ in tryckregulatorn på lågt tryck.
3. Ställ in önskad rengöringsmedelsmängd genom att vrida doseringsventilen.
4. Vrid huvudströmbrytaren till läge „I“.
5. Påverka spolhandtaget.

Endast när lågt tryck har ställts

#### CAUTION

Rengöringsmedel får inte torka. Detta kan skada den yta som ska rengöras.

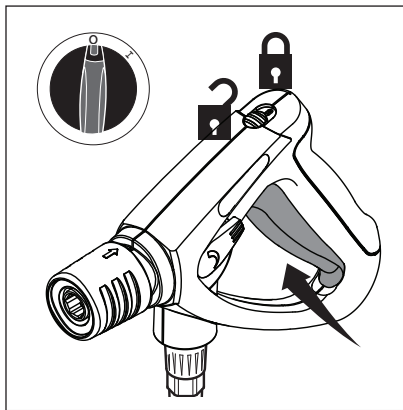


## 5 Användningsområden och arbetsmetoder

<b>Allmänt</b>	För att uppnå en effektiv rengöring med högtryckstvätten skall en del riktlinjer följas och kombineras med egna erfarenheter som vunnits inom speciella områden. Tillbehör och rengöringsmedel kan förbättra rengöringsresultatet om de används på rätt sätt. Här följer ett par grundläggande anvisningar.
<b>Blöta upp</b>	Fasttorkade och tjocka smutsskikt kan lösas/mjukas upp om de blöts upp under en viss tid. En idealisk metod, framför allt inom lantbruket - t ex i svinstior. Det bästa resultatet uppnår man genom att använda skummande och alkaliska rengöringsmedel. Spruta in ytorna med rengöringsmedelslösning och låt det hela verka i 30 minuter. Därefter går det mycket snabbare att göra rent med högtryckstvätten.
<b>Spruta på rengöringsmedel och skum</b>	Rengöringsmedel och skum skall sprutas på den torra ytan för att rengöringsmedlet skall komma i kontakt med smutsen utan att spädas ut ytterligare. Arbeta nedifrån och upp på lodräta ytor, så att inga klibbspår uppstår när rengöringsmedelslösningen rinner ner. Låt det hela verka ett par minuter innan rengöring sker med högtryckstvätten. Låt inte rengöringsmedlet torka fast.
<b>Temperatur</b>	Rengöringseffekten förstärks vid högre temperaturer. Det gäller framför allt fett och olja som löses upp lättare och snabbare. Proteiner löses bäst upp vid temperaturer omkring 60°C, olja och fett vid 70°C till 90°C.
<b>Mekanisk verkan</b>	För att lösa upp tjocka smutsskikt är det nödvändigt med mekanisk bearbetning. Speciella sprutrör och (roterande) tvättborstar ger den bästa effekten när det gäller att lösa upp smutsskikt.
<b>Stor mängd vatten och högt tryck</b>	Högt tryck är inte alltid den bästa lösningen. Alltför högt tryck kan skada ytorna som rengörs. Rengöringseffekten beror även på mängden vatten. Ett tryck på 100 bar är tillräckligt för fordonstvätt (tillsammans med varmt vatten). En stor vattenmängd underlättar bortspolning och -transport av den upplösta smutsen.

## 6 Efter arbetet

### Avstängning av maskinen



1. Stäng av huvudströmbrytaren, vrid omkopplaren till läge "OFF".
2. Stäng vattenkranen.
3. Påverka spolhandtaget tills maskinen är trycklös.
4. Aktivera spolhandtagets låsregel.

### Upprullning av anslutningskabel och undanstuvning av tillbehör

1. Rulla upp anslutningskabeln.
2. Rulla upp högtrycksslangen.
3. Lägg ner spolrör och tillbehör i hållarna.

#### CAUTION

Snubbelrisk. Rulla alltid upp nätkabeln och vattenslangen noggrant för att förhindra olyckor.

### Lagring

Lagra apparaten på torrt och frostskyddat ställe.

### Förvaring av maskinen (frostsäker lagring)

Om högtryckstvätten förvaras i ett utrymme där temperaturer på omkring 0°C eller lägre förekommer måste frostskydds-medel först sugas in genom pumpen.

1. Lossa vattentilloppsslangen från maskinen.
2. Ta bort sprutröret.
3. Koppla till maskinen, inställningsläge "1".
4. Anslut en kort sugslang till maskinens vattentillopp och stoppa ner den andra änden i en behållare med frostskyddsmedel.
5. Koppla till maskinen, inställningsläge "1".
6. Håll sprutpistolen ovanför behållaren med frostskyddsmedel och aktivera den för att starta insugningsförloppet.
7. Aktivera sprutpistolen 2 till 3 gånger under insugningsförloppet.
8. Lyft upp sugslangen ur behållaren med frostskyddsmedel och aktivera sprutpistolen för att pumpa undan det kvarvarande frostskyddsmedlet.
9. Koppla från maskinen.

#### CAUTION

- För att utesluta alla tänkbara risker, skall maskinen om möjligt mellanlagras i ett uppvärmt rum innan den börjar användas igen.
- Starta aldrig en nedfryst maskin.

# 7 Avhjälpande av störningar

Fel	Orsak	Åtgärd
Sjunkande tryck	<ul style="list-style-type: none"> <li>Luft i systemet</li> <li>Högtrycksmunstycket igentäppt/utslitet</li> <li>Tryckregleringen inte korrekt inställd på sprutröret</li> <li>Rengöringsmedelstanken tom</li> </ul>	<ul style="list-style-type: none"> <li>Tappa av luft genom att aktivera sprutpistolen upprepade gånger kort efter varandra. Koppla eventuellt till maskinen utan ansluten högtrycksslang under kort tid.</li> <li>Rengör/byt ut högtrycksmunstycket</li> <li>Ställ in önskat arbetstryck</li> <li>Fyll rengöringsmedelstanken eller vrid doseringsventilen till läge „0“.</li> </ul>
Tryckskillnader	<ul style="list-style-type: none"> <li>Pumpen suger luft (endast möjligt i sugdrift)</li> <li>Vattenbrist</li> <li>Vattentilloppsslangen för lång eller för liten area</li> <li>Vattenbrist pga igentäppt vattenfilter</li> <li>Vattenbrist pga att max tillåten sughöjd inte beaktats</li> </ul>	<ul style="list-style-type: none"> <li>Kontrollera att sugtsatsen är lufttät</li> <li>Öppna vattenkranen</li> <li>Använd föreskriven vattentilloppsslang</li> <li>Rengör vattenfiltret i vattenanslutningen (arbeta aldrig utan vattenfilter!)</li> <li>Se igångsättning</li> </ul>
Motorn startar inte vid påslagning	<ul style="list-style-type: none"> <li>Nätkontakten inte korrekt ansluten, strömtillförseln avbruten</li> </ul>	<ul style="list-style-type: none"> <li>Kontrollera nätkontakt, ledning och huvudströmbrytare och låt eventuellt behörig elektriker byta ut defekta delar</li> </ul>
Motorn brummar, men startar ej vid tillkoppling	<ul style="list-style-type: none"> <li>Säkring har gått</li> <li>Nätspänningen för låg eller fasbortfall</li> <li>Pumpen blockerad eller igenfrusen</li> <li>Skarvsladden har felaktig area eller längd</li> </ul>	<ul style="list-style-type: none"> <li>Återställ säkringen</li> <li>Låt kontrollera den elektriska anslutningen</li> <li>Kontakta GRACO-kundtjänst</li> </ul>
Motorn kopplas från	<ul style="list-style-type: none"> <li>Överlastskyddet har utlöst pga överhettning eller överbelastning av motorn</li> </ul>	<ul style="list-style-type: none"> <li>Använd riktig kabelarea eller -längd</li> <li>Låt kontrollera att elnätets spänning överensstämmer med uppgifterna om maskinens spänning. Koppla från maskinen och låt den svalna under minst 3 minuter</li> <li>Byt högtrycksmunstycke</li> </ul>
Inget rengöringsmedel tillsätts vid användning av rengöringsmedelsinjektor	<ul style="list-style-type: none"> <li>Högtrycksmunstycket nedsmutsat</li> <li>Injektorn nedsmutsad eller sugslangen igentäppt</li> <li>Behållaren med rengöringsmedel tom</li> <li>Reglaget på sprutröret inte inställt på lågtryck</li> </ul>	<ul style="list-style-type: none"> <li>Rengör</li> <li>Fyll på behållaren för rengöringsmedel</li> <li>Vrid reglaget på sprutröret moturs så långt det går</li> </ul>

## 8 Övrigt

### Transport

För säker transport i och på fordon rekommenderar vi att maskinen fixeras med spännband så att den inte kan sättas i rörelse eller tippa, dessutom bör bromsen sättas an.

Om maskin och tillbehör ska transporteras vid temperaturer omkring eller under 0 °C, bör frostskyddsmedel användas enligt beskrivningen i kapitel 5.

### Reparation och underhåll

Dra alltid ut elkontakten ur uttaget innan du utför underhållsarbete på maskinen.

### Lämna in maskinen för återvinning

Den uttjänta maskinen ska omedelbart göras oanvändbar.

1. Dra ut stickproppen.
2. Klipp av anslutningskabeln.
3. Kasta aldrig elmaskiner i hushållssoporna.



Enligt EU-direktiv 2002/96/EG om avfall som utgörs av eller innehåller elektriska och elektroniska komponenter måste dessa samlas in separat och tillföras en miljövänlig återvinning. Vid frågor ber vi dig kontakta kommunförvaltningen eller närmaste återförsäljare.

### Garanti

För garanti gäller våra allmänna försäljnings- och leveransvillkor.

Vi förbehåller oss rätten till tekniska ändringar.

## EG-försäkran om överensstämmelse



# EC-DECLARATION OF CONFORMITY

EG-VERKLARING VAN OVEREENSTEMMING, DÉCLARATION DE CONFORMITÉ CE, EG-KONFORMITÄTSEKTLÄRUNG, DICHIARAZIONE DI CONFORMITÀ CE, EF-OVERENSSTEMMELSESEKTLÆRING, ΕΚ-ΔΗΛΩΣΗ ΣΥΜΜΟΡΦΩΣΗΣ, DECLARAÇÃO DE CONFORMIDADE - CE, DECLARACIÓN DE CONFORMIDAD DE LA CE, EY-VAATIMUSTENMUKAISUUSVAKUUTUS, EG-DEKLARATION OM ÖVERENSSTÄMMELSE, ES PROHLÁŠENÍ O SHODĚ, EÜ VASTAVUSDEKLARATSIOON, EC MEGFEJELŐSÉGI NYILATKOZAT, EK ATBILSTĪBAS DEKLARĀCIJA, ES ATITIKTIES DEKLARACIJA, DEKLARACJA ZGODNOŚCI UE, DIKJARAZZJONI-KE TA' KONFORMITA', IZJAVA ES O SKLADNOSTI, ES - VYHLÁŠENIE O ZHODE, EO-ДЕКЛАРАЦИЯ ЗА СЪВМЕСТИМОСТ, DEIMHNIÚ COMHRÉIREACHTA CE, CE-DECLARAȚIE DE CONFORMITATE

## Model

Modèle, Modell, Modello, Μοντέλο,  
Modelo, Malli, Mudel, Modelis, Mudell, Модел, Samhail

AquaMax 2330E, 2335E

## Part

Bestelnr., Type, Teil, Codice, Del, Μέρος, Peça,  
Referencia, Osa, Součást, Részegység, Daja, Dalis,  
Część, Taqsimā, Část, Част, Part, Parte

287428, 287429

## Complies With The EC Directives:

Voldoet aan de EG-richtlijnen, Conforme aux directives CE, Entspricht den EG-Richtlinien, Conforme alle direttive CE, Overholder EF-direktiverne, Σύμφωνα με τις Οδηγίες της ΕΚ, Em conformidade com as Directivas CE, Cumple las directivas de la CE, Täyttää EY-direktiivien vaatimukset, Uppfyller EG-direktiven, Shoda se směrnicemi ES, Vastab EÜ direktiividele, Kielegítí az EK irányelvek követelményeit, Atbilst EK direktívām, Atitinka šias ES direktyvas, Zgodność z Dyrektywami UE, Konformi mad-Direttivi tal-KE, V skladu z direktivami ES, Je v súlade so smernicami ES, Съвместимост с Директиви на ЕО, Tá ag teacht le Treoracha an CE, Respectă directivele CE

2006/42/EC Machine Directive

2006/95/EC Low Voltage Directive

2004/108/EC EMC Directive

## Standards Used:

Gebuikte maatstaven, Normes respectées, Verwendete Normen, Norme applicate, Anvendte standarder, Πρότυπα που χρησιμοποιήθηκαν, Normas utilizadas, Normas aplicadas, Sovelletavat standardit, Tillämpade standarder, Použité normy, Rakendatud standardid, Alkalmazott szabványok, Izmantotie standarti, Taikyti standartai, Uzyte normy, Standards Uzati, Uporabljeni standardi, Použité normy, Използвани стандарти, Caighdeáin arna n-úsáid, Standarde utilizate

EN 12100, EN 60335-2-79, EN 55014-1, EN 55014-2, EN 61000-3-2, DIN EN 60335-2-79

## Notified Body for Directive

Aangemelde instantie voor richtlijn, Organisme notifié pour la directive, Benannte Stelle für diese Richtlinie, Ente certificatore della direttiva, Bemyndiget organ for direktiv, Διακοινωμένο όργανο Οδηγίας, Organismo notificado relativamente à directiva, Organismo notificado de la directiva, Direktiivien mukaisesti ilmoitettu tarkastuslaitos, Anmält organ för direktivet, Úředně oznámený orgán pro směrnici, Teavitatud asutus (direktiivi järgi), Az irányelvvvel kapcsolatban értesített testület, Pilnvarotā iestāde saskaņā ar direktīvu, Apie direktīvu Informuota institūcija, Ciało powiadomione dla Dyrektywy, Korp avzat bid-Direttiva, Priglašeni organ za direktivo, Notifikovaný orgán pre smernicu, Нотифициран орган за Директива, Comhlacht ar tugadh fógra dó, Organism notificat în conformitate cu directiva

--	--	--	--

## Approved By:

Goedgekeurd door, Approuvé par, Genehmigt von, Approvato da, Godkendt af, Έγκριση από, Aprobado por, Aprobado por, Hyväksynyt, Intygas av, Schwäilit, Kinnitanud, Jóváhagyta, Apstiprināts, Patvirtino, Zatwierdzone przez, Approvat minn, Odobril, Schválené, Одобрено от, Фаофа аг, Aprobat de

Hans van Cranenbroek

Manufacturing, Engineering and Warehousing Manager

10 JANUARY 2011

### Manufactured By:

GRACO INC.  
88 - 11<sup>th</sup> Avenue N.E.  
Minneapolis, MN 55413  
USA


















### Authorized Representative:

GRACO N.V.  
Slakweidestraat 31  
3630 Maasmechelen  
BELGIUM

199382

A

## Tekniska data

		AquaMax 2330E	AquaMax 2335E
	V/Ph/Hz	230/1/50	400/3/50
	A	16	10
	kW	3.3	4.2
<b>I</b>	A	15	7.6
		IP X5	IP X5
	bar/MPa	160/16	160/16
	bar/MPa	200/20	200/20
	l/h	560	700
	l/h	620	760
<b>Cleaning Impact</b>	kg/Force	3.0	3.6
		0350	0475
	°C	50	50
	bar / MPa	10/1	10/1
	mm	450 x 380 x 1040	450 x 380 x 1040
	kg	40.4	40.4
 <b>EN 60704-1</b>	dB(A)	74.6	75
 <b>L<sub>WA</sub></b>	dB(A)	87.9	90
<b>Vibration ISO 5349</b>	m/s <sup>2</sup>	< 2.5	< 2.5
<b>Recoil forces</b>	N	28	35
	l	0.225	0.225
		Agip Rotra 80W-90	

## Graco standardgaranti

Graco garanterar att all utrustning som beskrivs i detta dokument, tillverkad av Graco och som bär dess namn är fritt från material- och tillverkningsfel vid tidpunkten för försäljningen av en auktoriserad Graco-distributör till förste användaren. Med undantag för speciella eller begränsade garantiåtaganden meddelade av Graco, åtar sig Graco att under en tolv månaders period från inköpet reparera eller byta ut del som av Graco befunnits felaktig. Den här garantin gäller enbart under förutsättning att utrustningen installerats, körts och underhållits i enlighet med Gracos skrivna rekommendationer.

Garantin omfattar ej, och Graco ansvarar inte för allmän förslitning och skador, felfunktion, skador och slitage orsakad av felaktig installation, felaktig användning, slitning, korrosion, otillräckligt eller felaktigt underhåll, misskötsel, olyckor, ombyggnad eller utbyte mot delar som inte Graco originaldelar. Inte heller ansvarar Graco för felfunktion, skada eller slitage orsakat av att Graco-utrustningen inte är lämplig för inbyggnader, tillbehör, utrustning eller material som inte levereras av Graco, eller felaktig konstruktion, tillverkning, installation, drift eller underhåll av inbyggnader, utrustning eller material som inte levererats av Graco.

Garantin gäller under förutsättning att utrustningen, som anses felaktig, sänds med frakten betald till en auktoriserad Graco-distributör för kontroll av det påstådda felet. Kan felet verifieras, repareras eller byter Graco ut felaktiga delar kostnadsfritt. Utrustningen returneras till kunden med frakten betald. Påvisar kontrollen inga material- eller tillverkningsfel, utförs reparationer till rimlig kostnad, vilken kan innefatta kostnader för delar, arbete och frakt.

DEN HÄR GARANTIN ÄR EXKLUSIV OCH ISTÄLLET FÖR ALLA ANDRA GARANTIER, UTTRYCKTA ELLER INDIREKTA, INKLUSIVE MEN INTE BEGRÄNSAT TILL GARANTI FÖR SÄLJBARHET ELLER GARANTI FÖR LÄMPLIGHET FÖR SPECIFIKT SYFTE.

Gracos enda åtagande och köparens enda ersättning när garantin utlöses är enligt ovan. Köpare medger att inga andra ersättningar (inräknat men ej begränsat till följdskador, förlorade förtjänster, förlorad försäljning, person- och materiella skador och andra följdskador) finns. Åtgärder för brott mot garantiåtagandet måste läggas fram inom två (2) år efter inköpet.

GRACO ANSVARAR INTE FÖR OCH ÅTAR SIG INGET ANSVAR FÖR ATT UTRUSTNINGEN ÄR LÄMPLIG FÖR ETT SPECIFIKT ÄNDAMÅL TILLSAMMANS MED TILLBEHÖR, UTRUSTNING, MATERIAL OCH KOMPONENTER SOM SÄLJS MEN EJ TILLVERKAS AV GRACO. Dessa som säljs men ej tillverkas av Graco (t.ex. elmotorer, strömbrytare, slang m.m.) omfattas i förekommande fall av respektive tillverkares garantiåtagande. Graco ger köparen rimlig assistans när dessa garantiåtaganden utlöses.

Graco kan i inget fall göras ansvarig för indirekta, tillfälliga, speciella eller följdskador, som uppkommer till följd av leverans av apparater genom Graco enligt dessa bestämmelser, eller leverans, prestanda eller användning av andra produkter eller varor som säljs enligt dessa bestämmelser, antingen på grund av ett avtalsbrott, garantibrott, försumlighet från Graco, eller på annat sätt.

**Graco reserves the right to make changes at any time without notice.**

**Översättning av den ursprungliga bruksanvisningen. This manual contains Swedish. MM 3A1490**

**Graco Headquarters: Minneapolis**

**International Offices: Belgium, China, Japan, Korea**

**GRACO INC. P.O. BOX 1441 MINNEAPOLIS, MN 55440-1441**

**www.graco.com**

# Indhold

<b>1</b>	<b>Vigtige sikkerhedshenvisninger .....</b>	<b>123</b>
	<i>Mærkning af henvisninger .....</i>	123
	<i>Advarsel.....</i>	123
<b>2</b>	<b>Beskrivelse .....</b>	<b>125</b>
	<i>Betjeningselementer.....</i>	125
	<i>Brugsanvisning .....</i>	126
	<i>Anvendelsesformål .....</i>	126
	<i>Yderligere hjælp.....</i>	126
	<i>Før ibrugtagning .....</i>	126
<b>3</b>	<b>Før idriftsættelse.....</b>	<b>127</b>
	<i>Opstilling.....</i>	127
	<i>Tilslutning af højtryksslange .....</i>	127
	<i>BA-ventil .....</i>	128
	<i>Installationsvejledning.....</i>	128
	<i>Vedligeholdelse.....</i>	128
	<i>Tilslutning af vandslangen .....</i>	129
	<i>Elektrisk tilslutningsværdi .....</i>	129
	<i>Forlængerledninger .....</i>	129
<b>4</b>	<b>Betjening / drift.....</b>	<b>130</b>
	<i>Tilslutning af lanser til spulehåndtag.....</i>	130
	<i>Tænde for apparatet ved tilslutning til en vandledning .....</i>	130
	<i>Tænde for apparatet ved tilslutning til åbne beholdere (sugedrift) .....</i>	130
	<i>Trykregulering med Powerspeed Vario Plus-lanse .....</i>	131
	<i>Trykregulering på FlexoPower Plus-dysen .....</i>	131
	<i>Brug af rengøringsmidler .....</i>	131
<b>5</b>	<b>Anvendelsesområder og arbejdsmetoder .....</b>	<b>132</b>
	<i>Generelle henvisninger.....</i>	132
	<i>Lægge i blød.....</i>	132
	<i>Påføring af rengøringsmiddel og skum.....</i>	132
	<i>Temperatur.....</i>	132
	<i>Mekanisk påvirkning .....</i>	132
	<i>Stor vandmængde og højt tryk .....</i>	132
<b>6</b>	<b>Efter arbejdet .....</b>	<b>133</b>
	<i>Sluk for højtryksrenser.....</i>	133
	<i>Oprulning af tilslutningsledning og højtryksslange og opbevaring af tilbehør.....</i>	133
	<i>Opbevaring .....</i>	133
	<i>Opbevaring af maskinen (frostsikker lagring) .....</i>	133
<b>7</b>	<b>Afhjælpning af fejl.....</b>	<b>134</b>
<b>8</b>	<b>Andet .....</b>	<b>135</b>
	<i>Transport.....</i>	135
	<i>Reparation og vedligeholdelse .....</i>	135
	<i>Bortskaffelse af maskinen.....</i>	135
	<i>Garantie.....</i>	135
	<i>EF-overensstemmelseserklæring.....</i>	136
	<i>Tekniske data.....</i>	137
	<i>Graco Standardgaranti .....</i>	138



# 1 Vigtige sikkerhedshenvisninger

## Mærkning af henvisninger

### FARE

Fare, som umiddelbart fører til alvorlige og uafvendelige kvæstelser eller dødsfald.

### ADVARSEL

Fare, som kan føre til alvorlige kvæstelser eller til døden.

### GIV AGT

Fare, som kan føre til lettere kvæstelser eller materielle skader.

## Advarsel

### ADVARSEL

- Enhver sikkerhedsbetænkelig arbejdsmåde skal undlades.
- Der må ikke ændres på den mekaniske, elektriske og kølemæssige udformning.
- Denne maskine må ikke benyttes af børn eller personer med fysiske, sansemæssige eller mentale handicap eller personer, der mangler erfaring eller viden, medmindre de har fået instruktion eller er under vejledning.
- Renseren må kun anvendes sammen med rengøringsmidler leveret eller anbefalet af GRACO. Brug af andre typer rengøringsmidler kan beskadige maskinen og sætte sikkerheden over styr.
- Eksplosionsfare – undlad at anvende rensere til at sprøjte med brændbare væsker.



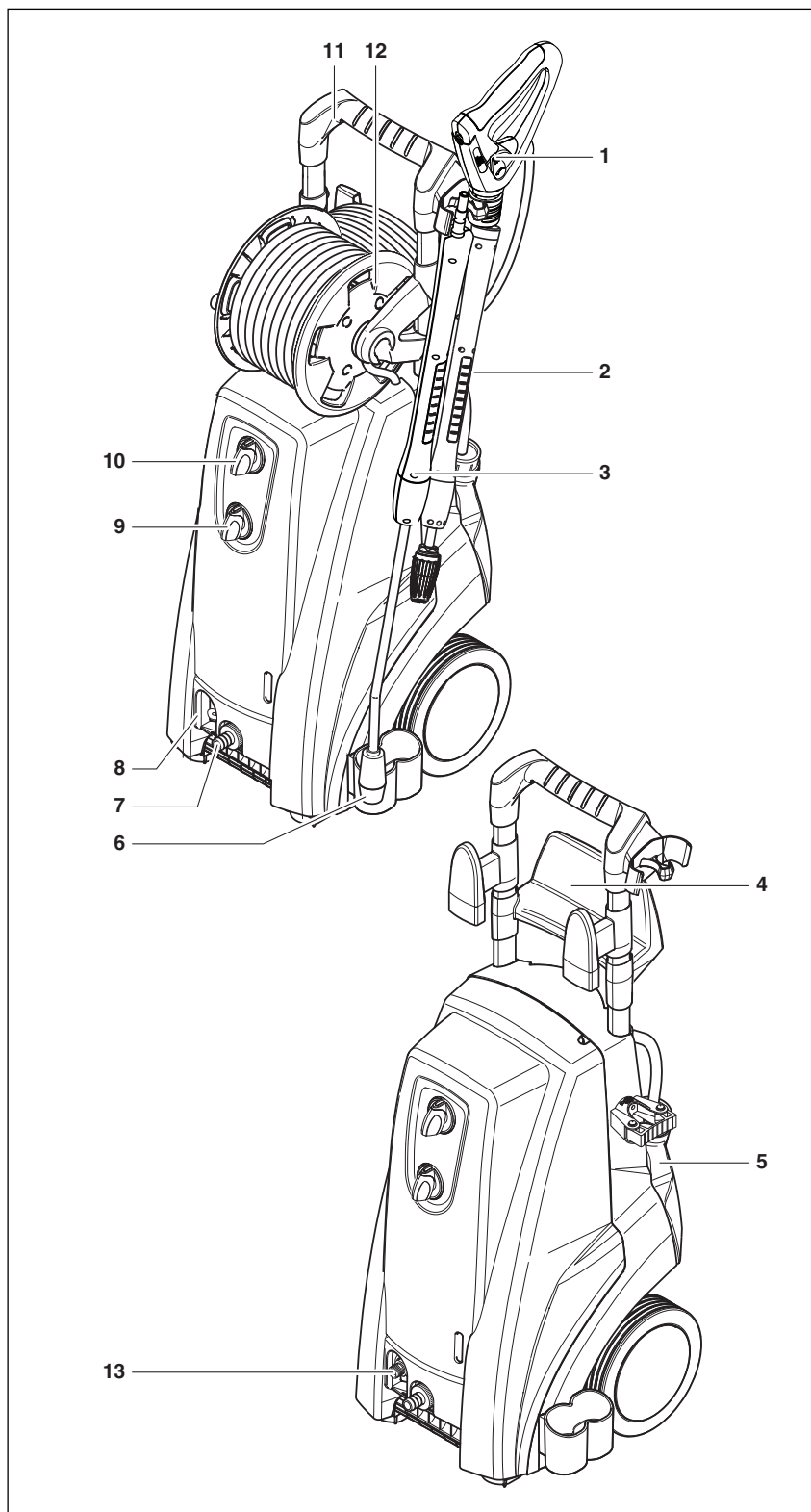
### GIV AGT

- Højtryksstråler kan være farlige. Ret aldrig vandstrålen mod personer, kæledyr, strømførende elektrisk udstyr eller selve maskinen.
- Forsøg aldrig at rengøre tøj eller fortøj på dig selv eller andre personer.
- Operatøren og alle i umiddelbar nærhed af arbejdsområdet skal beskytte sig mod at blive ramt af opspringende partikler under rensningen. Brug beskyttelsesbriller under brug.
- Overdæg ikke maskinen under brugen
- Brug aldrig maskinen i et miljø, hvor der kan være eksplosionsfare. Hvis der opstår tvivl, skal du kontakte de lokale myndigheder.
- Det er ikke tilladt at rengøre asbestholdige overflader med højtryk.
- Denne højtryksrenser må ikke bruges ved temperaturer under 0°C.
- Anvend kun korrekt brændstof som angivet. Fejlagtige brændstoffer kan forårsage alvorlig fare.
- Når maskinen er i brug, optræder der tilbagestødskræfter på sprøjteanordningen, ved et bøjet lanser desuden et drejemoment, hold derfor sprøjteanordningen fast med begge hænder.
- Det objekt, som skal renses, skal kontrolleres for, om der ved rensningen kan løsnes farlige stoffer fra dette, som så afgives til miljøet, f.eks. asbest, olie.
- Sarte dele af gummi, stof o.l. må ikke renses med rundstrålen. Hold under rengøringen en tilstrækkelig afstand mellem højtryksdysen og overfladen for at undgå en beskadigelse af den overflade, som skal renses.
- Tag aldrig maskinen i brug uden vand. Vandmangel, selv i kort tid, medfører alvorlig beskadigelse af pumpemanchetterne.
- Enhver arbejdsmåde, som sikkerhedsmæssigt set er betænkelig, skal undlades.
- Bind ikke pistolhåndtaget op.

## 2 Beskrivelse

### Betjeningslementer

- |                                  |                                   |
|----------------------------------|-----------------------------------|
| 1. Sprøjtepistol                 | indløbsfilter                     |
| 2. El-ledning                    | 8. Vandforsyning til slangerullen |
| 3. Sprøjterør                    | 9. Hovedafbryder                  |
| 4. Holder til el-ledning         | 10. Dosering af rensmiddel        |
| 5. Rensmiddelbeholder            | 11. Håndtag                       |
| 6. Holder til sprøjterør         | 12. Slangetromle <sup>1)</sup>    |
| 7. Tilslutning for vand og vand- | 13. Tilslutning for højtrykslange |



## Brugsanvisning



Læs venligst dette dokument igennem, inden De tager apparatet i drift og opbevar dokumentet indenfor rækkevidde.

Brug af apparatet er underlagt de gældende nationale bestemmelser. Udover driftsvejledningen og de regler, som gælder forpligtende i brugerlandet til forebyggelse af uheld, skal man også overholde de anerkendte fagtekniske regler vedrørende sikkerhedskorrekt og faglig korrekt arbejdsmåde.

## Anvendelsesformål

Denne højtryksrenser er udformet til professionel brug. Den kan bruges til rengøring af landbrugsmaskiner og entreprenørmateriel, stalde, køretøjer, rustne overflader osv.

Højtryksrenseren er ikke godkendt til rengøring af overflader, der kommer i berøring med fødevarer.

Enhver anden form for brug regnes ikke for at være i overensstemmelse med formålet. For skader, som resulterer heraf, fralægger producenten sig ethvert ansvar.

Til hensigtsmæssig brug hører også overholdelsen af de servicerings- og vedligeholdelsesforeskrifter, som fabrikanten foreskriver.

## Yderligere hjælp

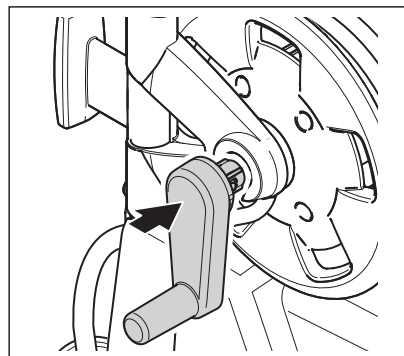
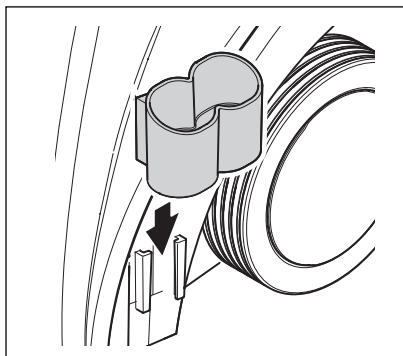
Har du yderligere spørgsmål, så henvend dig venligst til din GRACO-Service i dit hjemland.

## Før ibrugtagning

Før du starter maskinen, skal du kontrollere den grundigt for defekter.

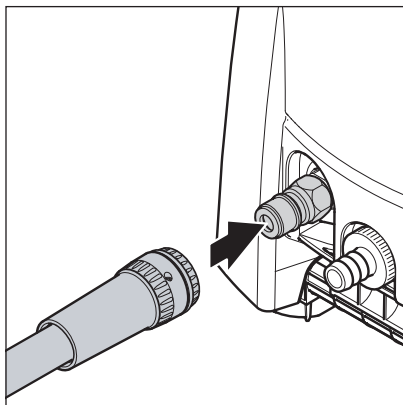
# 3 Før idriftsættelse

## Opstilling

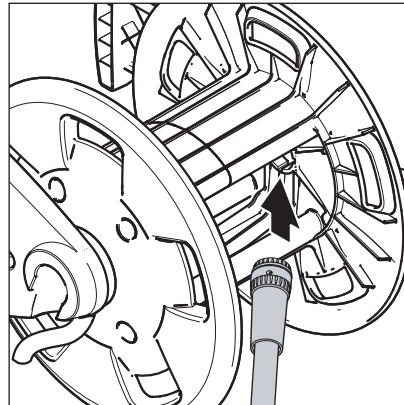


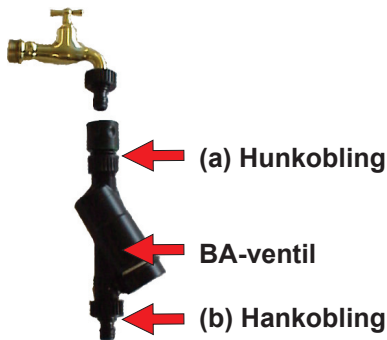
## Tilslutning af højtryksslange

Apparater uden slangerulle.



Apparat med slangerulle.



**BA-ventil**

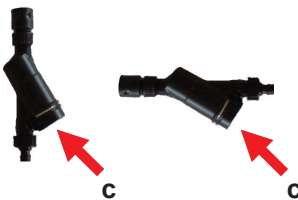
Denne højtryks-vasker/-rensers må kun tilsluttes drikke-vandsforsyningen, hvis der er monteret en korrekt tilbagestrømnings-spærre af type BA i henhold til EN 1717.

BA-ventilen bestilles under nummer:

- BA-ventil med GARDENA-koblinger: 106411177
- BA-ventil med NITO-koblinger: 106411178
- BA-ventil med GEKA-koblinger: 106411179
- BA-ventil uden koblinger: 106411184

Koblingerne kan bestilles under nummer:

- 3/4" GARDENA (a): 32541
- 3/4" GARDENA (b): 1608629
- 3/4" NITO (a): 1602945
- 3/4" NITO (b): 1600659
- 1/2" NITO (b): 1604669
- 3/4" GEKA (a): 1718
- 3/4" GEKA (b): 1311

**Installationsvejledning**

1. Montér en hankobling på vandhanen.
2. Tilslut (a) på BA-ventilen til vandhanen.
3. Montér en hunkobling på vandindløbsslagen.
4. Tilslut (b) på BA-ventilen til vandindløbsslagen.
5. Tilslut vandindløbsslagen til højtryksvaskeren.
6. Åbn for vandet og start maskinen.

**GIV AGT**

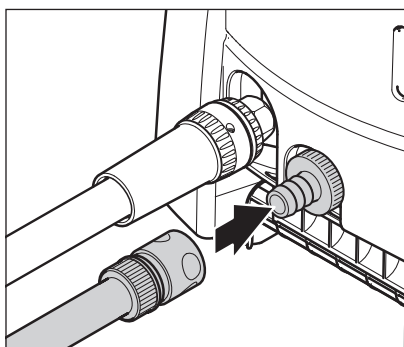
- Tilbagestrømningssikringen kan monteres enten lodret eller vandret, og afløbsåbningen (c) skal monteres, så den peger nedad.
- Vandstrømmen fra afløbsåbningen (c) skal kunne strømme frit.
- Hvis der er risiko for, at der kan løbe sand ind i det indløbende vand (f.eks. fra din egen brønd) bør der monteres et ekstra filter mellem vandhanen og tilbagestrømningssikringen.
- Længden på slangen mellem tilbagestrømningsspærren og højtryksvaskeren skal være mindst 12 meter (min. diameter 3/4 tomme) til dæmpning af evt. trykspidser.
- Så snart vandet er strømmet igennem BA-ventilen, anses det ikke længere for at være drikkevand.
- Beskyt tilbagestrømningssikringen mod at blive udsat for frost.
- Hold tilbagestrømningssikringen ren og fri for snavs.

**Vedligeholdelse**

Kontrollér funktionen mindst én gang om året på følgende måde:

1. Sluk for højtryksrensere efter afsluttet arbejde.
2. Luk vandhanens ventil.
3. Udløs trykket i vandforsyningsslangen ved at løsne sprøjtepistolens spærre.
4. Afmontér tilbagestrømningssikringen. Vandet skal løbe ud af afløbsåbningen (c) (maks. 100ml) for at sikre, at det adskilles fra drikkevandet.
5. Hvis det ikke er tilfældet, skal du forsøge at rengøre BA-ventilen eller kontakte din GRACO-repræsentant.

## Tilslutning af vandslangen



1. Vandslangen skal kort skylles med vand før tilslutning til apparatet, så sand og snavs ikke kan komme ind i apparatet.
2. Vandslangen tilsluttes til vandforsyningen med hurtigkoblingen.
3. Vandhanen åbnes.

### GIV AGT

- Ved dårlig vandkvalitet (med grums osv.) anbefaler vi at montere et vandfilter i forsyningsledningen.
- Brug af en vævforstærket vandslange med en nominal vidde på mindst 3/4" (19 mm) anbefales.

## Elektrisk tilslutningsværdi



Ved apparater med omskifter for spændingsforsyningen<sup>1)</sup> skal man kontrollere, at den rigtige forsyningspænding er indstillet på apparatet, inden stikket sættes i stikkontakten. I modsat fald kan apparatets elektriske komponenter blive ødelagt.

### GIV AGT

- Hvis stikkontakten ikke indgår i en almindelig boliginstallation eller ikke er sikret med HFI- eller HPFI-afbryder, skal høtryk-renseren tilsluttes en stikkontakt med jordforbindelse.
- Den elektriske installation skal være udført af en autoriseret elektriker.
- I henhold til IEC-60364-1 anbefales det stærkt at elektricitetsforsyningen til denne maskine bør være forsynet med jordfejlsafbrydere (GFCI).
- Nettilslutningsledningen må ikke beskadiges (f.eks. ved at blive kørt over, trukket i eller klemt inde).
- Nettilslutningsledningen skal trækkes ud direkte ved stikket (ikke ved at trække eller rive i tilslutningsledningen).

## Forlængerledninger

Som forlængerledning må kun anvendes den af fabrikanten oplyste type eller en ledning af bedre kvalitet.

Anvendes en forlængerledning skal ledningernes tværsnit være på mindst:

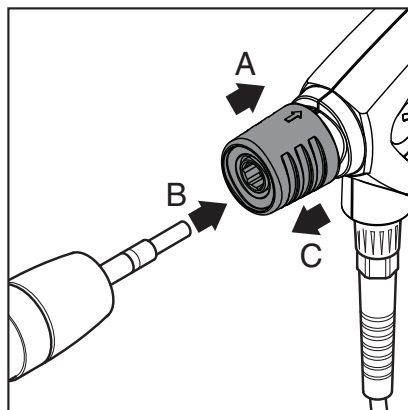
Ledningslængde	Tværsnit	
	< 16 A	< 25 A
op til 20 m	1.5 mm <sup>2</sup>	2.5 mm <sup>2</sup>
20 til 50 m	2.5 mm <sup>2</sup>	4.0 mm <sup>2</sup>

### GIV AGT

- Ved brug af kabeltromler: På grund af fare for stærk opvarmning skal kablet altid rulles helt ud.
- Ledningssamlinger skal holdes tørre og væk fra jorden.

## 4 Betjening / drift

### Tilslutning af lanser til spulehåndtag

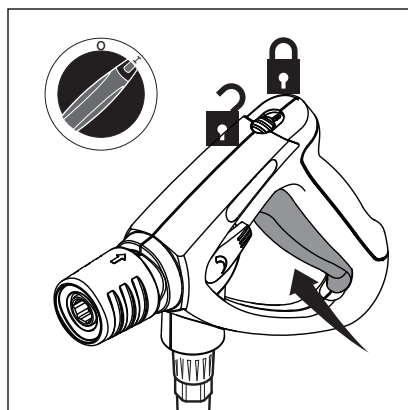


1. Træk det blå hurtigkoblingshåndtag (A) på spulehåndtaget tilbage.
2. Indsæt niplen på sprøjtelansen (B) i hurtigkoblingen, og frigør den.
3. Træk sprøjtelansen (eller andet tilbehør) fremad for at kontrollere, at det er forsvarligt fastgjort til spulehåndtaget.

#### GIV AGT

Nippelen skal altid renses for eventuelt snavs, før lanser forbindes med spulehåndtaget.

### Tænde for apparatet ved tilslutning til en vandledning

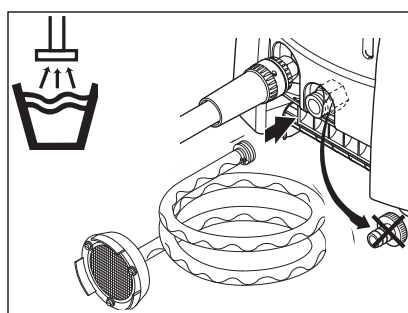


1. Hovedafbryderen sættes i position »I«.
2. Sprøjtepistolens spærre løsnes og pistolen betjenes.
3. Sikringskyderen betjenes også ved korte arbejdsafbrydelser.

#### GIV AGT

Til ventilering af systemet betjenes sprøjtepistolen flere gange i træk med korte mellemrum.

### Tænde for apparatet ved tilslutning til åbne beholdere (sugedrift)

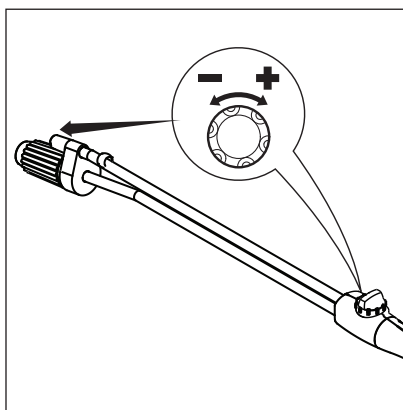


1. GRACO-sugesættet fyldes med vand, før det tilsluttes til apparatet.
2. Hovedafbryderen sættes i position »I«.
3. Slå sprøjtepistolens spærre fra og betjen pistolen.

Maks. indsugningshøjde (spædet) = 1 m.



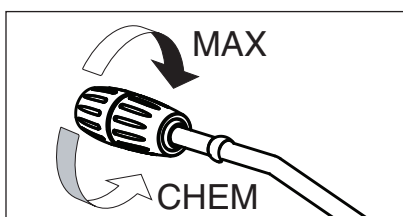
### Trykregulering med Powerspeed Vario Plus-lanse



Drej drejeknappen ved sprøjtein-dretingen:

- højtryk = med uret (+)
- lavtryk = mod uret (-)

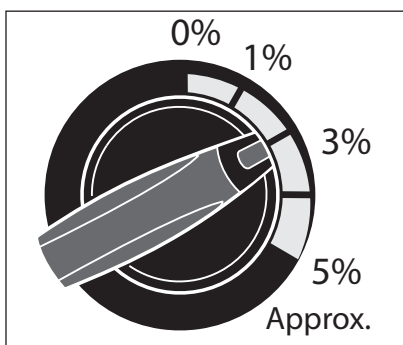
### Trykregulering på FlexoPower Plus-dysen



Drej hættten på FlexoPower Plus-dysen:

- højt tryk = MAX.
- lavt tryk = MIN. (CHEM)

### Brug af rengøringsmidler



ind gennem den seriemæssige injektor ved drift med lavt tryk.

1. Rengøringsmiddelet fortyndes i henhold til fabrikantens forskrift.
2. Indstil trykreguleringen til lavt tryk.
3. Den ønskede mængde rengøringsmiddel styres ved at dreje på doseringsventilen.
4. Sæt hovedafbryderen i position »I«.
5. Betjen sprøjtepipstolen.

Rengøringsmidler kan kun suges

#### GIV AGT

Rengøringsmidler må ikke tørre ind. Overfladen, som skal renses, kan ellers blive beskadiget.

# 5 Anvendelsesområder og arbejdsmetoder

## Generelle henvisninger

Effektiv højtryksrensning opnås ved at overholde nogle få retningslinier, kombineret med Deres egne erfaringer indenfor specielle områder. Ved korrekt anvendelse kan tilbehør og rengøringsmidler øge renssevirkningen. Her finder De nogle grundlæggende henvisninger.

## Lægge i blød

Indtørrede og tykke snavslag kan løsnes eller blødgøres ved at disse lægges i blød i nogen tid. En ideel fremgangsmåde især indenfor landbruget - f. eks. i svinestalde. Den bedste virkning opnås ved brug af skumrensere og alkaliske rengøringsmidler. Overfladen sprøjtes med opløst rengøringsmiddel, som så skal virke i 30 minutter. Derefter kan der renses langt hurtigere med højtrykstrålen.

## Påføring af rengøringsmiddel og skum

Rengøringsmiddel og skum skal sprøjtes på den tørre overflade, således at rengøringsmidlet uden ekstra fortynding kan komme i kontakt med snavset. På lodrette flader arbejdes nedefra og oppefter for at forhindre slirer, når rengøringsmidlet løber ned. Lad det virke i nogen tid, før der renses med højtryksrenseren. Rengøringsmidlet må ikke tørre ind.

## Temperatur

Renseeffekten øges ved højere temperaturer. Især fedt og olie kan løsnes nemmere og hurtigere. Proteiner kan bedst løsnes ved temperaturer omkring 60°C, olie og fedt bedst ved 70° til 90°.

## Mekanisk påvirkning

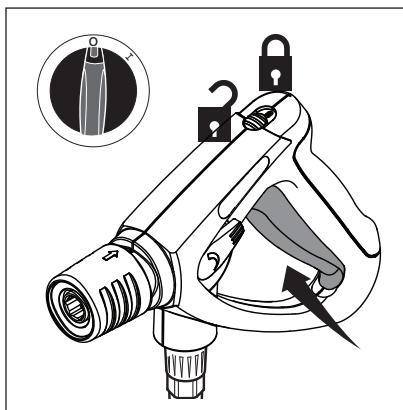
Til at løsne kraftige snavslag kræves der en ekstra mekanisk påvirkning. Specielle lanser og (roterende) vaskebørster giver den bedste virkning for at løsne snavslaget.

## Stor vandmængde og højt tryk

Højt tryk er ikke altid den bedste løsning. Højt tryk kan beskadige overflader. Rengørings-effekten afhænger ligeledes af vandmængden. Et tryk på 100 bar er tilstrækkeligt til rensning af køretøjer (i forbindelse med varmt vand). Større vandmængder muliggør skylning og transport af det løsnede snavs.

## 6 Efter arbejdet

### Sluk for højtryksrensere



1. Sluk for hovedafbryderen, omskifter i position „OFF“.
2. Luk for vandhanen.
3. Spulehåndtaget betjenes, indtil maskinen ikke længere står under tryk.
4. Sikrings skyderen lægges i.

### Oprulning af tilslutningsledning og højtrykslange og opbevaring af tilbehør

1. Strømledningen vikles op som vist på billedet.
2. Højtrykslangen rulles op som vist i afbildningen.
3. Lanser og højtryksslange hænges op i de tilsvarende holdere.

#### GIV AGT

Snubelfare. Strømledningen og slangen skal altid rulles omhyggeligt op for at forebygge ulykker.

### Opbevaring

Apparatet skal opbevares tørt og beskyttet imod frost.

### Opbevaring af maskinen (frostsikker lagring)

Når højtryksrenseren henstilles i et lokale, hvor temperaturen kan ligge omkring 0°C eller derunder, skal der forinden suges frostbeskyttelse ind gennem pumpen:

1. Vandforsyningsslangen løsnes fra apparatet.
2. Sprøjterøret tages af.
3. Apparatet tændes, omskifter sættes til "I".
4. Tilslut en kort indsugningsslange til renserens vandindløb og anbring den anden ende af slangen i en beholder med frostbeskyttelsesmiddel.
5. Apparatet tændes, omskifter sættes til "I".
6. Sprøjtepistolen holdes over beholderen med frostbeskyttelse og betjenes for at starte indsugningen.
7. Under indsugningen betjenes sprøjtepistolen 2-3 gange.
8. Indsugningsslangen løftes ud af beholderen med frostbeskyttelse og sprøjtepistolen betjenes for at pumpe det resterende frostbeskyttelsesmiddel ud.
9. Apparatet slukkes.

#### GIV AGT

- For at undgå enhver risiko skal apparatet inden næste ibrugtagning midlertidigt anbringes i et varmt lokale.
- Start aldrig en tilfrosset maskine.

## 7 Afhjælpning af fejl

Fejl	Årsag	Afhjælpning
Trykfald	<ul style="list-style-type: none"> <li>• Luft i systemet</li> <li>• HD-dyse tilstoppet / slidt</li> <li>• Rensemiddelbeholder tom</li> </ul>	<ul style="list-style-type: none"> <li>• Systemet ventileres, betjen hertil sprøjtepistolen flere gange med korte mellemrum, eventuelt tages maskinen kortvarigt i drift uden tilsluttet højtrykslange.</li> <li>• Rens/skift HD-dysen.</li> <li>• Rensemiddelbeholder fyldes eller doseringsventil bringes i position „0“</li> </ul>
Svingende	<ul style="list-style-type: none"> <li>• Pumpe indsuger luft (kun muligt i suge modus)</li> <li>• Vandmangel</li> <li>• Vandforsyningslange for lang hhv. for ringe diameter</li> <li>• Vandmangel på grund af tilstoppet vandfilter</li> <li>• Vandmangel pga. manglende overholdelse af den maksimalt tilladte indsugningshøjde</li> </ul>	<ul style="list-style-type: none"> <li>• Kontroller sugesættets lufttæthed.</li> <li>• Åbn for vandhanen.</li> <li>• Benyt den foreskrevne vandforsyningslange.</li> <li>• Vandfilteret i vandtilslutningen renses (arbejd aldrig uden vandfilter!).</li> <li>• Se idriftsættelse</li> </ul>
Motoren starter ikke op, når maskinen tændes	<ul style="list-style-type: none"> <li>• Stikket er ikke sat rigtigt i stikkontakten, strømsvigt</li> </ul>	<ul style="list-style-type: none"> <li>• Stik, ledning og afbryder kontrolleres og udskiftes om nødvendigt af en autoriseret elektriker.</li> </ul>
Motoren brummer og starter ikke op, når den tændes	<ul style="list-style-type: none"> <li>• El-nettets sikring er slået fra</li> <li>• El-forsyningsspændingen er for lav eller en fase har svigtet.</li> <li>• Pumpen er blokeret eller frosset fast.</li> <li>• Forlængerledningen har forkert ledningstværsnit eller længde.</li> </ul>	<ul style="list-style-type: none"> <li>• Slå sikringen til</li> <li>• Få el-forsyningen kontrolleret.</li> <li>• Tilkald GRACO-kundeservice.</li> </ul>
Motoren slukker	<ul style="list-style-type: none"> <li>• Overlastsikringen har reageret, fordi motoren er blevet for varm eller den er overbelastet.</li> </ul>	<ul style="list-style-type: none"> <li>• Benyt ledning med det rigtige tværsnit og den rigtige længde.</li> <li>• Sørg for, at forsyningsspændingen svarer til apparatets spænding. Sluk for apparatet og lad det køle af i mindst 3 minutter.</li> </ul>
Rengøringsmiddel kommer ikke	<ul style="list-style-type: none"> <li>• Højtryksdysen er snavset.</li> <li>• Injektoren er snavset eller sugeslangen er tilstoppet.</li> <li>• Rensemiddelbeholderen er tom.</li> <li>• Drejeknappen på sprøjterøret er ikke indstillet til lavtryk</li> </ul>	<ul style="list-style-type: none"> <li>• Skift højtryksdyse.</li> <li>• Rens</li> <li>• Fyld resemiddelbeholderen.</li> <li>• Drej drejeknappen på sprøjterøret mod uret helt til anslaget</li> </ul>

## 8 Andet

### Transport

Til sikker transport i og på køretøjer anbefaler vi at spænde apparatet fast med tov på en sådan måde, at det ikke kan skride eller hælde.

Transport i liggende position:

- apparatet må ikke væltes eller lægges på siden, hvor tilslutningerne er anbragt.
- sugeslangen tages ud af rensmiddelbeholderen og beholderen lukkes med det låg, der fulgte med leveringen.
- kontrollér, at olien er løbet tilbage fra olieopsamlingsbeholderen ind i pumpehuset, inden der tændes for apparatet. Kontrollér olieniveauet, fyld olie på efter behov.

Når apparatet eller tilbehøret transporteres ved temperaturer omkring eller under 0° C, anbefaler vi brug af frostbeskyttelsesmiddel som beskrevet i kapitel 5.

### Reparation og vedligeholdelse

Fjern altid netstikket fra stikdåsen, før du udfører vedligeholdelse på maskinen.

### Bortskaffelse af maskinen

Den udtjente maskine skal gøres ubrugelig.

1. Tag netstikket ud
2. Klip ledningen over.
3. Elektriske apparater må ikke bortskaffes sammen med almindeligt husholdningsaffald.



I henhold til det europæiske direktiv 2002/96/EF vedrørende elektriske og elektroniske apparater skal gamle elektriske apparater indsamles særskilt og tilføres en miljøvenlig form for genbrug.

### Garantie

Med hensyn til garanti gælder vore generelle salgs- og leveringsbetingelser.

Ændringer i medfør af tekniske videreudviklinger forbeholdes.

## EF-overensstemmelseserklæring



# EC-DECLARATION OF CONFORMITY

EG-VERKLARING VAN OVEREENSTEMMING, DÉCLARATION DE CONFORMITÉ CE, EG-KONFORMITÄTSEKTLÄRUNG, DICHIARAZIONE DI CONFORMITÀ CE, EF-OVERENSSTEMMELSESERKLÆRING, ΕΚ-ΔΗΛΩΣΗ ΣΥΜΜΟΡΦΩΣΗΣ, DECLARAÇÃO DE CONFORMIDADE - CE, DECLARACIÓN DE CONFORMIDAD DE LA CE, EY-VAATIMUSTENMUKAISUUSVAKUUTUS, EG-DEKLARATION OM ÖVERENSSTÄMMELSE, ES PROHLÁŠENÍ O SHODĚ, EŮ VASTAVUSDEKLARATSIOON, EC MEGFEJELŐSÉGI NYILATKOZAT, EK ATBILSTĪBAS DEKLARĀCIJA, ES ATĪTIKTĪES DEKLARĀCIJA, DEKLARACJA ZGODNOŚCI UE, DIKJARAZZJONI-KE TA' KONFORMITA', IZJAVA ES O SKLADNOSTI, ES - VYHLÁŠENIE O ZHODE, EO-ДЕКЛАРАЦИЯ ЗА СЪВМЕСТИМОСТ, DEIMHNIŪ COMHRÉIREACHTA CE, CE-DECLARAȚIE DE CONFORMITATE

## Model

Modèle, Modell, Modello, Μοντέλο,  
Modelo, Malli, Mudel, Modelis, Mudell, Модел, Samhail

AquaMax 2330E, 2335E

## Part

Bestelnr., Type, Teil, Codice, Del, Μέρος, Peça,  
Referencia, Osa, Součást, Részegység, Daja, Dalis,  
Część, Taqsim, Čast', Част', Páirt, Parte

287428, 287429

## Complies With The EC Directives:

Voldoet aan de EG-richtlijnen, Conforme aux directives CE, Entspricht den EG-Richtlinien, Conforme alle direttive CE, Overholder EF-direktiverne, Σύμφωνα με τις Οδηγίες της ΕΚ, Em conformidade com as Directivas CE, Cumple las directivas de la CE, Täyttää EY-direktiivien vaatimukset, Uppfyller EG-direktiven, Shoda se směrnicemi ES, Vastab EÜ direktiividele, Kielégíti az EK irányelvek követelményeit, Atbilst EK direktīvam, Atitinka šias ES direktyvas, Zgodność z Dyrektywami UE, Konformi mad-Direttivi tal-KE, V skladu z direktivami ES, Je v súlade so smernicami ES, Съвместимост с Директиви на ЕО, Tá ag teacht le Treoracha an CE, Respectă directivele CE

2006/42/EC Machine Directive

2006/95/EC Low Voltage Directive

2004/108/EC EMC Directive

## Standards Used:

Gebruikte maatstaven, Normes respectées, Verwendete Normen, Norme applicate, Anvendte standarder, Πρότυπα που χρησιμοποιήθηκαν, Normas utilizadas, Normas aplicadas, Sovellettavat standardit, Tillämpade standarder, Použité normy, Rakendatud standardid, Alkalmazott szabványok, Izmantotie standarti, Taikyti standartai, Użyte normy, Standards Uzati, Uporabljeni standardi, Použité normy, Използвани стандарти, Caighdeán arna n-úsáid, Standarde utilizate

EN 12100, EN 60335-2-79, EN 55014-1, EN 55014-2, EN 61000-3-2, DIN EN 60335-2-79

## Notified Body for Directive

Aangemelde instantie voor richtlijn, Organisme notifié pour la directive, Benannte Stelle für diese Richtlinie, Ente certificatore della direttiva, Bemyndiget organ for direktiv, Διακοινυμένο όργανο Οδηγίας, Organismo notificado relativamente à directiva, Organismo notificado de la directiva, Direktiivin mukaisesti ilmoitettu tarkastuslaitos, Anmält organ för direktivet, Úředně oznámený orgán pro směrnici, Teavitatud asutus (direktiivi järgi), Az irányelvvél kapcsolatban értesített testület, Pilnvarotā iestāde saskaņā ar direktīvu, Apie direktīvu Informuota institūcija, Ciało powiadomione dla Dyrektywy, Korp avzat bid-Direttiva, Priglašeni organ za direktivo, Notifikovaný orgán pre smernicu, Нотифициран орган за Директива, Comhlacht ar tugadh fógra dó, Organism notificat în conformitate cu directiva

--	--	--	--

## Approved By:

Goedgekeurd door, Approuvé par, Genehmigt von, Approvato da, Godkendt af, Έγκριση από, Aprovado por, Aprobado por, Hyväksynyt, Intygas av, Schwäilit, Kinnitanud, Jóváhagyta, Apstiprināts, Patvirtino, Zatwierdzone przez, Approvat minn, Odobril, Schválené, Одобрено от, Faofa ag, Aprobat de

Hans van Cranenbroek

Manufacturing, Engineering and Warehousing Manager

10 JANUARY 2011
















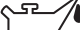

Manufactured By:  
GRACO INC.  
88 - 11<sup>th</sup> Avenue N.E.  
Minneapolis, MN 55413  
USA

Authorized Representative:  
GRACO N.V.  
Slakweidestraat 31  
3630 Maasmechelen  
BELGIUM

199382

A

## Tekniske data

		AquaMax 2330E	AquaMax 2335E
	V/Ph/Hz	230/1/50	400/3/50
	A	16	10
	kW	3.3	4.2
<b>I</b>	A	15	7.6
		IP X5	IP X5
	bar/MPa	160/16	160/16
	bar/MPa	200/20	200/20
	l/h	560	700
	l/h	620	760
<b>Cleaning Impact</b>	kg/Force	3.0	3.6
		0350	0475
	°C	50	50
	bar / MPa	10/1	10/1
	mm	450 x 380 x 1040	450 x 380 x 1040
	kg	40.4	40.4
 <b>EN 60704-1</b>	dB(A)	74.6	75
 <b>L<sub>WA</sub></b>	dB(A)	87.9	90
<b>Vibration ISO 5349</b>	m/s <sup>2</sup>	< 2.5	< 2.5
<b>Recoil forces</b>	N	28	35
	l	0.225	0.225
	Agip Rotra 80W-90		

## Graco Standardgaranti

Graco garanterer, at alt det udstyr, der henvises til i nærværende dokument, som er fremstillet af Graco, og som bærer Gracos navn, er fri for materiale- eller fabrikationsfejl på den dato, hvor det sælges af den autoriserede Graco-forhandler til den oprindelige køber med anvendelse for øje. Med undtagelse af eventuelle særlige, udvidede eller begrænsede garantier, der er udstedt af Graco, påtager Graco sig i en periode på tolv måneder fra købsdatoen at reparere eller udskifte enhver del af udstyret, som Graco finder at være fejlbehæftet. Denne garanti gælder kun, når udstyret installeres, betjenes og vedligeholdes i henhold til de af Graco anbefalede skriftlige anvisninger.

Denne garanti dækker ikke, og Graco påtager sig intet ansvar for almindelig slitage eller eventuelle funktionsfejl, beskadigelse eller slitage, der skyldes ukorrekt installation, anvendelse til forkerte formål, slid, korrosion, utilstrækkelig eller forkert vedligeholdelse, forsømmelighed, uheld, ukorrekte teknisk indgreb eller udskiftning med komponentdele, der ikke er fremstillet af Graco. Graco påtager sig endvidere intet ansvar for funktionsfejl, beskadigelse eller slitage, der måtte skyldes, at det af Graco leverede udstyr ikke er foreneligt med konstruktioner, tilbehør, udstyr eller materialer, der ikke er leveret af Graco, eller som måtte skyldes ukorrekt konstruktion, fremstilling, installation, betjening eller vedligeholdelse af systemer, tilbehør, udstyr og materialer, der ikke er leveret af Graco.

Denne garanti er betinget af, at det udstyr, der hævdes at være fejlbehæftet, indsendes frankeret til en autoriseret Graco-distributør til undersøgelse af den påståede fejl. Hvis den påståede fejl kan accepteres, foretager Graco reparation eller udskiftning af alle defekte dele uden beregning. Udstyret vil derefter blive sendt franko til den oprindelige køber. Såfremt en undersøgelse af udstyret ikke måtte afsløre nogen materiale- eller fabrikationsfejl, vil reparationen blive udført mod et rimeligt gebyr, der kan omfatte udgifter til dele, arbejds løn og forsendelse.

DENNE GARANTI ER DEN ENESTE, OG DEN TRÆDER I STEDET FOR ENHVER ANDEN GARANTI, DET VÆRE SIG UDTRYKKELIG ELLER STILTIENDE, HERUNDER MEN IKKE BEGRÆNSET TIL GARANTI OM SALGBARHED ELLER GARANTI OM EGNETHED TIL ET BESTEMT FORMÅL.

Graco's eneste forpligtelse og købers eneste afhjælpningsret i tilfælde af garantibrud skal være som ovenfor beskrevet. Køberen accepterer, at denne ikke har nogen anden afhjælpningsret (herunder, men ikke begrænset til, dermed forbunden eller deraf følgende erstatning for driftstab, mistet omsætning, personskade eller tingsskade eller noget andet deraf afledt eller følgende tab). Ethvert søgsmål for garantibrud skal anlægges inden to (2) år fra købsdatoen.

GRACO GIVER INGEN GARANTI OG FRASIGER SIG ENHVER STILTIENDE GARANTI OM SALGBARHED OG EGNETHED TIL ET BESTEMT FORMÅL I FORBINDELSE MED TILBEHØR, Udstyr, MATERIALER ELLER KOMPONENTER, DER SÆLGES AF, MEN IKKE ER FREMSTILLET AF GRACO. Sådanne genstande, der sælges, men ikke er fremstillet af Graco (som f.eks. elektriske motorer, kontakter, slanger, etc.), er omfattet af sådanne eventuelle garantier, som ydes af producenterne af disse. Graco vil i rimelig omfang bistå køberen i forbindelse med krav, der rejses som følge af brud på sådanne garantiforpligtelser.

Graco påtager sig under ingen omstændigheder erstatningsansvar for indirekte, afledte, særlige eller sekundære skader som følge af Graco's levering af udstyr i forbindelse hermed eller som følge leverance, ydelse eller anvendelse af produkter eller andre varer, der sælges i forbindelse hermed, uanset om sådanne skader skyldes kontraktbrud, garantibrud, forsømmelighed fra Graco's side eller andre forhold.

**Graco reserves the right to make changes at any time without notice.**

**Oversættelse af den originale instruktionsbog. This manual contains Danish. MM 3A1490**

**Graco Headquarters: Minneapolis**

**International Offices: Belgium, China, Japan, Korea**

**GRACO INC. P.O. BOX 1441 MINNEAPOLIS, MN 55440-1441**

**www.graco.com**



# Sisällys

<b>1</b>	<b>Tärkeitä turvallisuusohjeitas.....</b>	<b>140</b>
	<i>Varoituksissa käytetyt symbolit.....</i>	140
	<i>Varoitukset.....</i>	140
<b>2</b>	<b>Laitteen kuvaus .....</b>	<b>142</b>
	<i>Laitteen käyttöosat.....</i>	142
	<i>Käyttöohje.....</i>	143
	<i>Käyttötarkoitus.....</i>	143
	<i>Muut tiedot.....</i>	143
	<i>Ennen painepesurin käytön.....</i>	143
	<i>aloittamista.....</i>	143
<b>3</b>	<b>Ennen käyttöönottoa .....</b>	<b>144</b>
	<i>Ensimmäiset toimenpiteet.....</i>	144
	<i>Paineletkun liittäminen.....</i>	144
	<i>BA-venttiili.....</i>	145
	<i>Asennusohje.....</i>	145
	<i>Kunnossapito.....</i>	145
	<i>Vesiletkun liittäminen.....</i>	146
	<i>Sähköliitäntä.....</i>	146
	<i>Jatkojohdot.....</i>	146
<b>4</b>	<b>Käyttö / ohjaus .....</b>	<b>147</b>
	<i>Suihkuputken liittäminen painepistooliin.....</i>	147
	<i>Laitteen käynnistäminen vesijohtoon liitettynä.....</i>	147
	<i>Laitteen käynnistäminen liitettynä avoimeen säiliöön (imutoiminto).....</i>	147
	<i>Paineensäätö Powerspeed Vario Plus-putkella.....</i>	148
	<i>Paineensäätö FlexoPower Plus suuttimella.....</i>	148
	<i>Pesuaineiden käyttö.....</i>	148
<b>5</b>	<b>Käyttöalueet ja työskentelytavat .....</b>	<b>149</b>
	<i>Yleistä.....</i>	149
	<i>Liottaminen.....</i>	149
	<i>Puhdistusaineen ja vaahdon levitys.....</i>	149
	<i>Lämpötila.....</i>	149
	<i>Mekaaninen vaikutus.....</i>	149
	<i>Suuri vesiteho ja korkea paine.....</i>	149
<b>6</b>	<b>Työn jälkeen.....</b>	<b>150</b>
	<i>Laitteen kytkeminen pois päältä.....</i>	150
	<i>Sähköjohdon ja paineletkun kelaaminen lisävarusteiden järjestämisen.....</i>	150
	<i>Varastointi.....</i>	150
	<i>Koneen säilyttäminen (säilytys suojattuna jäätymiseltä).....</i>	150
<b>7</b>	<b>Häiriöiden poisto.....</b>	<b>151</b>
<b>8</b>	<b>Muuta.....</b>	<b>152</b>
	<i>Kuljetus.....</i>	152
	<i>Huolto ja korjaaminen.....</i>	152
	<i>Koneen toimittaminen kierrätykseen.....</i>	152
	<i>Takuu.....</i>	152
	<i>EY-Vaatimustenmukaisuusvakuutus.....</i>	153
	<i>Tekniset tiedot.....</i>	154
	<i>Gracon normaali takuu.....</i>	155

# 1 Tärkeitä turvallisuusohjeitas

## Varoituksissa käytetyt symbolit

### VAKAVA VAARA

Vaara, joka aiheuttaa välittömästi vaikeita ja parantumattomia loukkaantumisia tai kuoleman.

### VAARA

Vaara, joka voi aiheuttaa vaikeita loukkaantumisia tai kuoleman.

### VAROITUS

Vaara, joka voi aiheuttaa lieviä loukkaantumisia tai aineellisia vahinkoja

## Varoitukset

### VAARA

- Kaikenlainen turvallisuutta vaarantava työtapa on kielletty.
- Mekaanisiin, sähköisiin tai lämpösuojalaitteisiin ei saa tehdä muutoksia.
- Lapset eivätkä fyysikaltaan, tuntoaisteiltaan tai henkiseltä kunnoltaan heikentyneet henkilöt saa käyttää tätä laitetta. Laitetta ei saa myöskään saa käyttää ilman asiantunte musta ja laitetuntemusta ennen ohjauksen tai opastuksen saamista.
- Tässä laitteessa on käytettävä vain GRACOn toimittamia tai suosittelemia puhdistuskemikaaleja. Muiden puhdistuskemikaalien käyttäminen voi heikentää laitteen turvallisuutta.
- Räjähdyksivaara: älä ruiskuta syttyviä nesteitä painepesurin avulla.



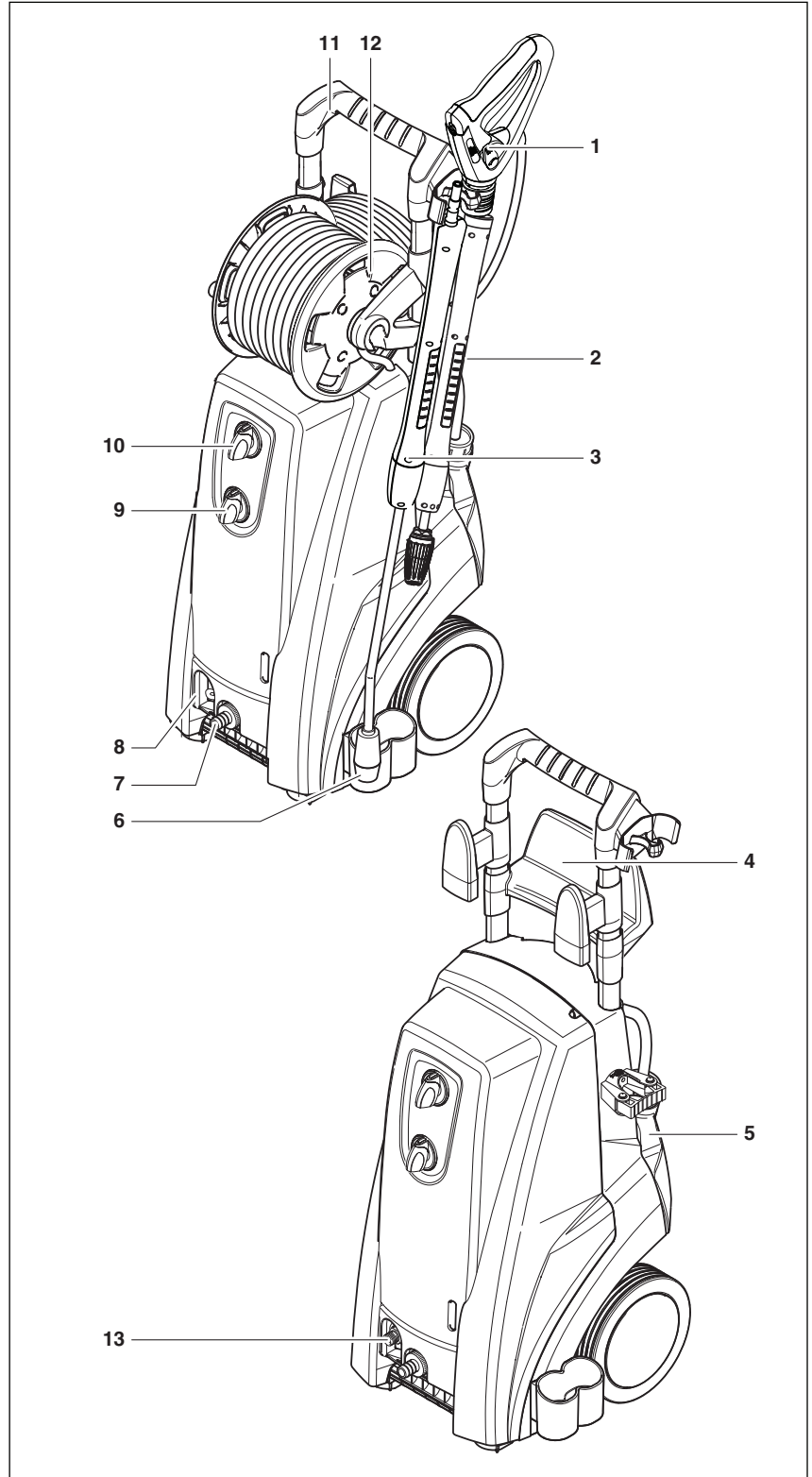
## VAROITUS

- Painepesurien avulla voi aiheuttaa vahinkoa. Älä koskaan suuntaa vesisuihkua ihmisiin, lemmikkieläimiin, sähkölaitteisiin, joissa on virta, tai painepesuriin itseensä.
- Älä yritä puhdistaa itsesi tai muiden henkilöiden yllä olevia vaatteita tai jalkineita.
- Pesurin käyttäjän ja lähellä olevien ihmisten on suojauduttava puhdistettavasta kohteesta irtoavilta kappaleilta. Käytä suojalaseja.
- Älä peitä laitetta käytön aikana.
- Älä käytä pesuria paikassa, jossa on räjähdysvaara. Jos mielessäsi on kysymyksiä, käänny paikallisten viranomaisten puoleen.
- Asbestia sisältäviä pintoja ei saa puhdistaa korkeapaineella.
- Tätä painepesuria ei saa käyttää alle 0 °C:n lämpötilassa.
- Käytä vain suositeltua polttoainetta. Muut polttoaineet voivat aiheuttaa vakavia vaaroja.
- Koneen käyttö synnyttää ruiskutuslaitteistossa takaiskuvoimia, ja jos ruiskutusputki on taitetussa asennossa, syntyy lisäksi vääntömomentti, mistä syystä ruiskutuslaitteistoa on pidettävä lujasti kiinni kummallakin kädellä.
- Ennen työn aloittamista on tarkastettava, ettei puhdistettavasta kohteesta irtoa vaarallisia aineita ympäristöön, kuten asbestia, öljyä tms.
- Älä puhdista herkkiä osia kuten kumia, kangasta yms. pyörösuihkulla. Jätä painesuuttimen ja puhdistettavan pinnan välille riittävän paljon etäisyyttä niin että pinta ei vaurioidu.
- Älä käytä turvallisuuden kannalta arveluttavia työskentelytapoja.
- Älä sido liipaisinkahvaa auki.

## 2 Laitteen kuvaus

### Laitteen käyttöosat

- |                                   |                              |
|-----------------------------------|------------------------------|
| 1. Suihkupistooli                 | 8. Vedensyöttö letkukelaan   |
| 2. Sähköjohto                     | 9. Pääkytkin                 |
| 3. Suihkuputki                    | 10. Pesuaineen annostelu     |
| 4. Verkkoliitännäjohdon pidike    | 11. Työntöaisa               |
| 5. Pesuainesäiliö                 | 12. Letkurumpu <sup>1)</sup> |
| 6. Suihkuputken sijoituspaikka    | 13. Paineletkun liitäntä     |
| 7. Vesiliitäntä ja tuloveden suo- |                              |



**Käyttöohje**

Lue ennen laitteen käyttöönottoa nämä ohjeet huolellisesti ja säilytä ne niin, että ne ovat milloin tahansa käytettävissä.

Koneen käyttö on voimassaolevien kansallisten määräysten alaista. Käyttöohjeiden ja käyttömaassa voimassaolevien tapaturmantorjuntamääräysten noudattamisen lisäksi on huomioitava myös hyväksytyt turvallista ja ammattitaitoista työskentelyä koskevat ammattitekniset ohjeet.

**Käyttötarkoitus**

Tämä painepesuri on tarkoitettu ammattikäyttöön. Sen avulla voidaan puhdistaa esimerkiksi rakennustyökaluja, talleja, ajoneuvoja tai ruosteisia pintoja.

Tätä painepesuria ei ole hyväksytty elintarvikkeiden kanssa kosketuksiin joutuvien pintojen pesemiseen.

Muunlaista käyttöä pidetään määräysten vastaisena. Siitä johtuvat vahingot eivät kuulu valmistajan korvauspiiriin, vaan käyttäjä vastaa yksin kaikista seurauksista. Määräystenmukaiseen käyttöön kuuluu myös valmistajan määräämien käyttö-, huolto- ja kunnossapitotoimien säännöllinen suorittaminen.

**Muut tiedot**

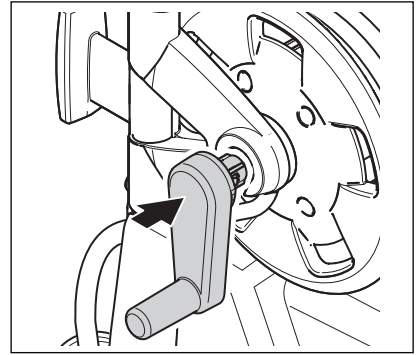
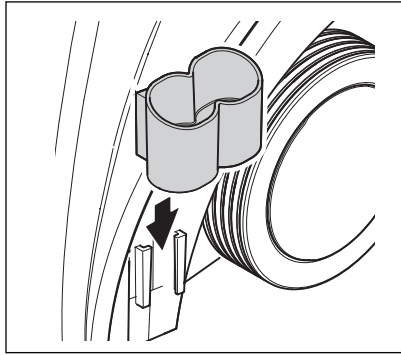
Mikäli sinulla on kysyttävää, käänny omassa maassasi olevan valtuutetun GRACO-huoltopalvelun puoleen.

**Ennen painepesurin käytön aloittamista**

Tarkista ennen laitteen käyttämistä, että siinä ei ole mitään vikoja.

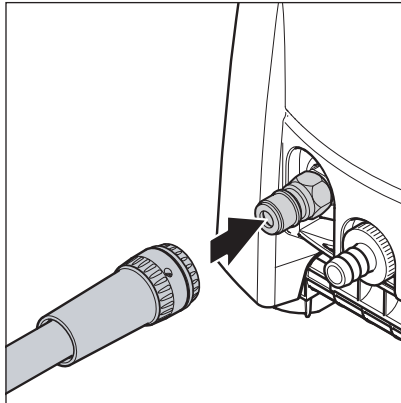
# 3 Ennen käyttöönottoa

## Ensimmäiset toimenpiteet

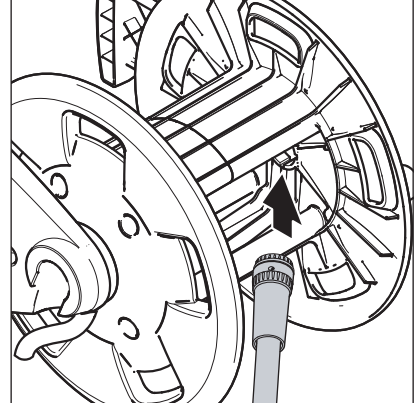


## Paineletkun liittäminen

Laitteet ilman letkurumpua.



Letkurummulla varustetut laitteet.



**BA-venttiili**

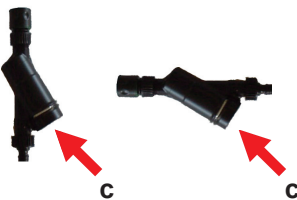
Tämän painepesurin saa yhdistää vesijohtoverkkoon vain riittävän tehokkaan BA-tyyppisen takaiskuventtiilin avulla, jonka on täytettävä EN 1717 -vaatimukset.

BA-venttiin voi tilata tuotenumerailla:

- BA-venttiili ja GARDENA-liitokset: 106411177
- BA-venttiili ja NITO-liitokset: 106411178
- BA-venttiili ja GEKA-liitokset: 106411179
- BA-venttiili ilman liitoksia: 106411184

Liitokset voi tilata tuotenumerailla:

- 3/4" GARDENA (a): 32541
- 3/4" GARDENA (b): 1608629
- 3/4" NITO (a): 1602945
- 3/4" NITO (b): 1600659
- 1/2" NITO (b): 1604669
- 3/4" GEKA (a): 1718
- 3/4" GEKA (b): 1311

**Asennusohje**

1. Kiinnitä urosliitin vesihanaan.
2. Yhdistä BA-venttiin (a) vesihanaan.
3. Yhdistä naarasliitin vedensyöttöletkuun.
4. Yhdistä BA-venttiin (b) vedensyöttöletkuun.
5. Yhdistä vedensyöttöletku painepesuriin.
6. Avaa vedensyöttö ja käynnistä laite.

**VAROITUS**

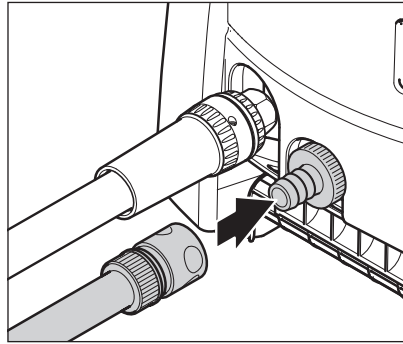
- Takaiskuventtiili voidaan asentaa pysty- tai vaakasuoraan. Poistoaukon (c) on osoitettava alaspäin.
- Veden täytyy päästä virtaamaan poistoaukosta (c) vapaasti.
- Jos syöttöveden voi päästä hiekkaa esimerkiksi omasta kaivosta, vesihanan ja takaiskuventtiin väliin on asennettava lisäsuodatin.
- Takaiskuventtiin ja painepesurin välisen vesijohdon on oltava vähintään 6 metrin mittainen mahdollisten paineiskujen vaimentamiseksi. Vesijohdon vähimmäisläpimitta on 3/4 tuumaa.
- Kun vesi on virrannut BA-venttiin läpi, sitä ei enää katsota juomakelpoiseksi.
- Suojaa takaiskuventtiili jäätymiseltä.
- Pidä takaiskuventtiili puhtaana.

**Kunnossapito**

Tarkista toiminta vähintään kerran vuodessa seuraavasti:

1. Katkaise virta painepesurista, kun työ on valmis.
2. Sulje vesihanaventiili.
3. Vapauta vedenpaine syöttöletkusta painamalla ruiskusuuttimen liipaisinta.
4. Irrota takaiskuventtiili. Tyhjennysaukosta (c) on tultava enintään 100 ml vettä, jotta juomakelpoinen vesi saadaan erotettua.
5. Jos näin ei käy, yritä puhdistaa BA-venttiili tai ota yhteys GRACOn edustajaan.

## Vesiletkun liittäminen



1. Huuhtelee vesiletkua lyhyesti vedellä ennen laitteeseen asentamista, niin että sen mukana ei pääse hiekkaa ja likaa laitteeseen.
2. Liitä vesiletku pikaliittimellä vesiliitäntään.
3. Avaa vesihana.

### VAROITUS

- Jos vesi on huonolaatuista (sisältää hiekkaa tms.), vedentulo-kohtaan voidaan liittää erillinen suodatin.
- Käytä vesiliitäntään kudosvahvistettua vesiletkua jonka nimellishalkaisija on vähintään  $\frac{3}{4}$ " (19 mm).

## Sähköliitäntä



Jännitevaihtokytkennällä varustetuissa laitteissa on ennen verkkopistokkeen työntämistä pistorasiaan varmistettava että laitteessa on oikea verkkojännite. Muussa tapauksessa laitteen sähköosat voivat rikkoutua.

### VAROITUS

- Yhdistä laite vain maadoitettuun pistorasiaan
- Sähköpistorasian on oltava valtuutetun sähköasentajan asentama.
- IEC- 60364-1-normin mukaan on suositeltavaa, että tämän laitteen sähkönsyöttöön asennetaan vikavirtakytkin.
- Varo vioittamasta verkkoliitäntäjohtoa (esim. ajamalla sen yli, vetämällä, litistämällä!)
- Kun vedät verkkojohdon pistorasiasta, tartu aina varsinaiseen pistokkeeseen (älä vedä verkkojohdosta).

## Jatkojohdot

Jatkojohtona saa käyttää vain valmistajan hyväksymää tai paremmanlaatuista johtomallia.

Jatkojohtoa käytettäessä tulee varmistaa minimipoikkipinta-alat seuraavasti:

Kaapelin pituus	Poikkipinta-ala	
	< 16 A	< 25 A
enintään 20 m	1.5 mm <sup>2</sup>	2.5 mm <sup>2</sup>
20 - 50 m	2.5 mm <sup>2</sup>	4.0 mm <sup>2</sup>

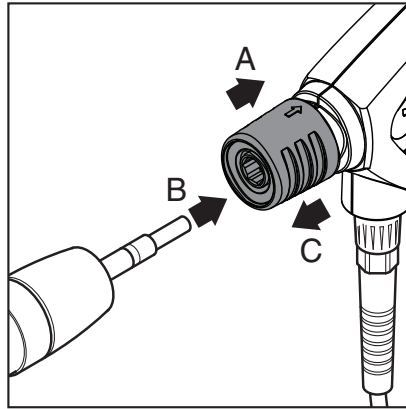
### VAROITUS

- Kaapelikelaa käytettäessä: Ylikuumentumisen ja tulipalon vaaran välttämiseksi on liitäntäjohto aina kelattava kokonaan auki.
- Jatkojohdot on pidettävä kuivina ja irti maasta.



## 4 Käyttö / ohjaus

### Suihkuputken liittäminen painepistooliin

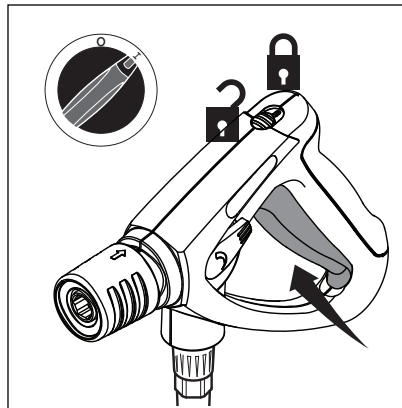


1. Vedä ruiskupistoolin sinistä pikavapautinta (A) taaksepäin.
2. Aseta suihku-suuttimen (B) nippa pikavapautusliitäntää ja vapauta se.
3. Vedä suihku-suutinta tai muuta varustetta eteenpäin sen tarkistamiseksi, että se on kiinnitetty ruiskupistooliin tiukasti.

#### VAROITUS

Puhdista nippa aina mahdollisesta liasta ennen kuin yhdistät suihkuputken pistooliin.

### Laitteen käynnistäminen vesijohtoon liitettynä

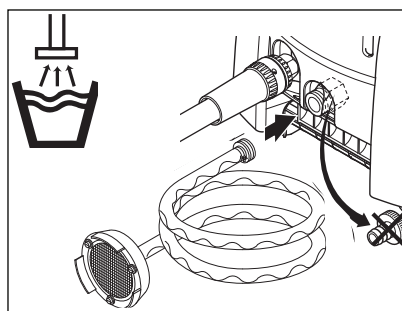


1. Käännä pääkytkin asentoon "I".
2. Avaa suihkupistoolin lukitus ja käytä pistoolia.
3. Lukitse varmistuslukitus myös lyhyiden keskeytysten ajaksi.

#### VAROITUS

Poista ilma järjestelmästä painamalla suihkupistoolia useampia kertoja.

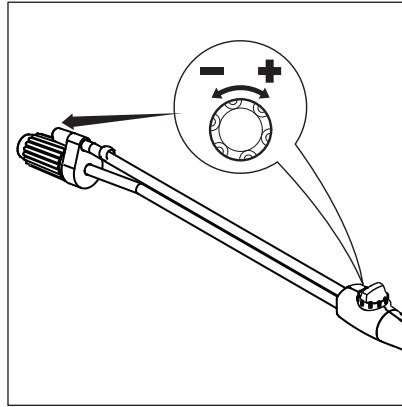
### Laitteen käynnistäminen liitettynä avoimeen säiliöön (imutoiminto)



1. Täytä GRACO imusetti vedellä ennen laitteeseen liittämistä.
2. Käännä pääkytkin asentoon "I".
3. Vapauta suihkupistoolin lukitus ja käytä pistoolia.

Maks. imukorkeus (esitäytetty) = 1 m.

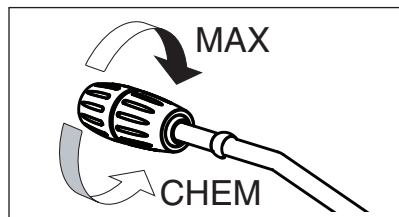
### Paineensäätö Powerspeed Vario Plus-putkella



Kierrä suihkulaitteistossa olevaa kiertonappia:

- Korkea paine = myötäpäivään (+)
- Alhainen paine = vastapäivään (-)

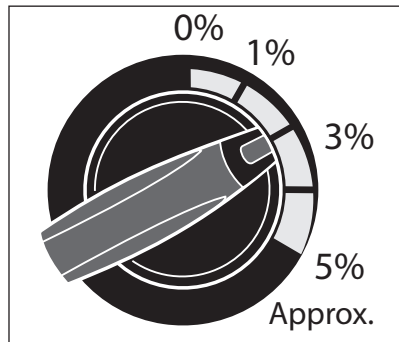
### Paineensäätö FlexoPower Plus suuttimella



Kierrä FlexoPower Plus-suuttimen muhvia:

- Korkea paine = MAX.
- Alhainen paine = MIN. (CHEM)

### Pesuaineiden käyttö



injektorin kautta vain matalapainekäytössä:

1. Esilaimenna pesuainetta valmistajan ohjeiden mukaisesti.
2. Aseta painesäätö alhaiselle paineelle.
3. Säädä haluamasi pesuainemäärä annosteluventtiiliä kiertämällä.
4. Käännä pääkytkin asentoon "I".
5. Paina suihkupistoolia.

Pesuaineita voidaan imeä sarjavalmisteisena asennetun

#### VAROITUS

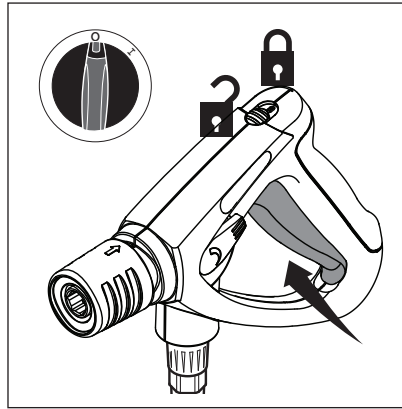
Pesuaineet eivät saa kuivua. Puhdistettava pinta voi muussa tapauksessa vaurioitua.

# 5 Käyttöalueet ja työskentelytavat

<b>Yleistä</b>	Edellytyksenä tehokkaasti toimivalle painepuhdistukselle on annettujen ohjeiden noudattaminen yhdistettynä omiin kokemuksiisi tietyillä alueilla. Asianmukaisilla lisävarusteilla ja puhdistusaineilla parannetaan lopputulosta, kun niitä käytetään oikein. Ohessa muutamia perustavanlaatuisia ohjeita:
<b>Liottaminen</b>	Kovettuneet ja paksut likakerrostumat saadaan paremmin irtoamaan kun niitä liotetaan ensin jonkin aikaa. Erityisen hyvä menetelmä maataloudessa – esim. sikaloissa. Paras tulos saadaan käyttämällä vaahtoa- ja alkalisia puhdistusaineita. Suihkuta puhdistusaineseosta likaiselle pinnalle ja anna vaikuttaa 30 minuuttia. Puhdistus painesuihkulla käy tämän jälkeen huomattavasti nopeammin.
<b>Puhdistusaineen ja vaahton levitys</b>	Suihkuta puhdistusainetta ja vaahtoa kuivalle pinnalle niin että puhdistusaine vaikuttaa likaan laimentamattomana. Käsittele pystysuorat pinnat alhaalta ylöspäin, juomujen välttämiseksi kun puhdistusaineliuos valuu pois. Anna vaikuttaa muutaman minuutin ajan ennen painepuhdistusta. Puhdistusaine ei saa kuivua.
<b>Lämpötila</b>	Puhdistava vaikutus tehostuu korkeammissa lämpötiloissa. Erityisesti rasvat ja öljyt irtoavat paremmin. Proteiinit irtoavat parhaiten noin 60°C lämpötiloissa, öjyt ja rasvat 70°C - 90°C lämpötiloissa.
<b>Mekaaninen vaikutus</b>	Paksujen likakerrosten poistamiseksi tarvitaan lisäksi mekaanista voimaa. Erityiset suihkuputket ja (pyörivät) vesiharjat irrottavat likakerrostumat parhaiten.
<b>Suuri vesiteho ja korkea paine</b>	Korkea paine ei ole aina paras ratkaisu ja liian korkea paine voi jopa vioittaa pintoja. Puhdistuksen laatu riippuu myös vesitehosta. Ajoneuvojen puhdistukseen riittää 100 barin paine (yhdessä lämpimän veden kanssa). Suurempaa vesitehoa tarvitaan irrotetun lian poishuuhteluun.

## 6 Työn jälkeen

### Laitteen kytkeminen pois päältä



1. Katkaise virta kääntämällä pääkytkin asentoon "OFF".
2. Sulje vesihana.
3. Käytä pistoolia, kunnes kaikki paine on poistunut koneesta.
4. Lukitse pistoolin varmistuslukitus.

### Sähköjohdon ja paineletkun kelaaminen lisävarusteiden järjestäminen

1. Kela sähköjohto kuvassa osoitetulla tavalla.
2. Kela paineletku kuvassa osoitetulla tavalla.
3. Aseta suihkuputki ja lisävarusteet pidikkeeseen.

#### VAROITUS

On olemassa kompastumisen vaara. Rullaa sähköjohto kelalle onnettomuuksien välttämiseksi.

### Varastointi

Varastoi laite kuivassa ja jäätymiseltä suojatussa paikassa.

### Koneen säilyttäminen (säilytys suojattuna jäätymiseltä)

Jos painepesuria säilytetään tiloissa, joiden lämpötilat voivat laskea noin 0°C:een tai sitä alhaisemmiksi, siihen on ensin imettävä pumpulla jäätyminenestoainetta.

1. Irrota vedentuloletku laitteesta.
2. Irrota suihkuputki.
3. Käynnistä laite, kytkin asentoon "I".
4. Aseta lyhyt imuletku painepesurin vedensyöttöön, ja aseta toinen pää jäätyminenestoainetta sisältävään säiliöön.
5. Käynnistä laite, kytkin asentoon "I".
6. Pidä painepistoolia jäätyminenestoainetta sisältävän astian yläpuolella ja käytä pistoolia niin että imutoiminto käynnistyy.
7. Käytä painepistoolia imutoiminnon aikana 2 - 3 kertaa.
8. Nosta imuletku jäätyminenestoaineastiasta ja käytä painepistoolia pumpataksesi lopun jäätyminenestoaineen pois.
9. Kytke laite pois päältä.

#### VAROITUS

- Varmuuden vuoksi on hyvä säilyttää laitetta jonkin aikaa lämmitetyssä huoneessa ennen seuraavaa käyttöönottoa.
- Älä käynnistä jäätynyttä laitetta.

# 7 Häiriöiden poisto

Häiriö	Syy	Korjaus
Paine laskee	<ul style="list-style-type: none"> <li>Ilmaa järjestelmässä</li> <li>Painesuutin tukossa/kulunut</li> <li>Pesuainesäiliö tyhjä</li> </ul>	<ul style="list-style-type: none"> <li>Poista ilma järjestelmästä käyttämällä painepistoolia lyhyin väliajoin useita kertoja, ota laite tarvittaessa lyhyeksi ajaksi käyttöön ilman painel- etkua.</li> <li>Puhdista tai vaihda painesu- utin.</li> <li>Täytä pesuainesäiliö tai kään-nä annosteluventtiili "0"-asen- toon.</li> </ul>
Paine vaihtelee	<ul style="list-style-type: none"> <li>Pumppu imee ilmaa (mahdol- lista vain imutoiminnossa)</li> <li>Vedenpuute</li> <li>Vedentuloputki liian pitkä tai sen halkaisija on liian pieni</li> <li>Tukkeutuneen vedensuuttimen aiheuttama vedenpuute</li> <li>Vedenpuute, koska suurinta sallittua imukorkeutta ei ole noudatettu</li> </ul>	<ul style="list-style-type: none"> <li>Tarkasta imulaitteiston ilmati- iviys</li> <li>Avaa vesihana</li> <li>Käytä ohjeidenmukaista tu- lovesiletkua</li> <li>Puhdista vesiliitännän veden- suodatin (älä koskaan käytä laitetta ilman vedensuodat- inta!)</li> <li>Katso kohta "Käyttöönotto"</li> </ul>
Moottori ei käynnisty päällekytke- täessä	<ul style="list-style-type: none"> <li>Pistoketta ei ole työnnetty sisään oikein, virrantulo kes- keytynyt</li> <li>Päävirtapiirikatkaisin kytketty pois päältä</li> </ul>	<ul style="list-style-type: none"> <li>Tarkasta pistoke, johto ja vir- takytkin ja anna sähköalan ammattilaisen vaihtaa tarvit- taessa</li> <li>Kytke päävirtapiirikatkaisin päälle</li> <li>Tarkastuta sähköliitäntä</li> </ul>
Moottori hurisee päällekytke- täessä, mutta ei käynnisty	<ul style="list-style-type: none"> <li>Verkkojännite liian pieni, tai vaihekatkos</li> <li>Pumppu tukkeutunut tai jää- tynyt</li> <li>Jatkokaapelin väärä halkaisija tai pituus</li> </ul>	<ul style="list-style-type: none"> <li>Ota yhteys GRACO-asia- kaspalveluun</li> <li>Käytä oikeaa kaapelin halkai- sijaa tai pituutta</li> </ul>
Moottori kytkeytyy pois päältä	<ul style="list-style-type: none"> <li>Ylikuormitusuoja lauennut koska moottori on ylikuumen- tunut tai ylikuormittunut</li> </ul>	<ul style="list-style-type: none"> <li>Tarkastuta syöttöjännitteen ja laitteen jännitteen yhden- mukaisuus. Kytke pois päältä ja anna jäähtyä vähintään 3 minuuttia.</li> </ul>
Puhdistusainetta ei tule puhdistu- saine-injektoria käytettäessä	<ul style="list-style-type: none"> <li>Painesuutin likainen</li> <li>Injektori likaantunut tai imu- letku tukossa</li> <li>Puhdistusainesäiliö tyhjä</li> <li>Suihkuputken kiertonappia ei ole käännetty alipaine-asen- toon</li> </ul>	<ul style="list-style-type: none"> <li>Vaihda painesuutin</li> <li>Puhdista</li> <li>Täytä puhdistusainesäiliö</li> <li>Kierrä suihkuputken kier- tonappia vastapäivään vas- teeseen asti</li> </ul>

# 8 Muuta

## Kuljetus

Turvallista kuljetusta varten ajoneuvoissa ja niiden lavoilla suosittelemme kiinnittämään laitteen tukevasti hihnoilla niin että se ei pääse liukumaan eikä kaatumaan.

Kuljetus makuuasennossa:

- Laitetta ei saa kallistaa tai asettaa sille kyljelle jolla liitännät ovat.
- Ota imuletku pois pesuainesäiliöstä ja sulje säiliö toimitukseen sisältyvällä kannella.
- Ennen laitteen käynnistämistä: varmista, että öljy on valunut öljynkeräysastiasta takaisin pumppukoteloon. Tarkasta öljyn pinnankorkeus, lisää öljyä tarvittaessa.

Jos laitetta ja sen lisävarusteita kuljetetaan 0°C:n tai sen alapuolella olevissa lämpötiloissa, suosittelemme jäätymisenestoaineen käyttöä luvussa 6 kuvatulla tavalla.

## Huolto ja korjaaminen

Irrota aina virtapistoke pistorasiasta ennen painepesurin huoltamista.

## Koneen toimittaminen kierrätykseen

Tee käytöstä poistettu laite välittömästi toimintakyvottomäksi.

1. Vedä verkkopistoke pistorasiasta.
2. Katkaise laitteen sähköjohto.
3. Sähkölaitteita ei saa hävittää talousjätteiden joukossa.



Eurooppalaisen sähkö- ja elektroniikkalaiteromua koskevan direktiivin 2002/96/EY mukaan on käytetyt sähkö- ja elektroniikkalaitteet kerättävä erikseen ja hyödynnettävä ympäristöystävällisellä tavalla.

## Takuu

Myönnämme takuun yleisten myynti- ja toimitusehtojemme mukaisesti.

Oikeudet teknisten uudistusten mukanaantuomiin muutoksiin idätetään.

## EY-Vaatimustenmukaisuusvakuutus



# EC-DECLARATION OF CONFORMITY

EG-VERKLARING VAN OVEREENSTEMMING, DÉCLARATION DE CONFORMITÉ CE, EG-KONFORMITÄTSEKTLÄRUNG, DICHIARAZIONE DI CONFORMITÀ CE, EF-OVERENSSTEMMELSESEKTLÆRING, ΕΚ-ΔΗΛΩΣΗ ΣΥΜΜΟΡΦΩΣΗΣ, DECLARAÇÃO DE CONFORMIDADE - CE, DECLARACIÓN DE CONFORMIDAD DE LA CE, EY-VAATIMUSTENMUKAISUUSVAKUUTUS, EG-DEKLARATION OM ÖVERENSSTÄMMELSE, ES PROHLÁŠENÍ O SHODĚ, EÜ VASTAVUSDEKLARATSIOON, EC MEGFEJELŐSÉGI NYILATKOZAT, EK ATBILSTĪBAS DEKLARĀCIJA, ES ATITIKTIES DEKLARACIJA, DEKLARACJA ZGODNOŚCI UE, DIKJARAZZJONI-KE TA' KONFORMITA', IZJAVA ES O SKLADNOSTI, ES - VYHLÁŠENIE O ZHODE, EO-ДЕКЛАРАЦИЯ ЗА СЪВМЕСТИМОСТ, DEIMHNIŪ COMHREIREACHTA CE, CE-DECLARAȚIE DE CONFORMITATE

## Model

AquaMax 2330E, 2335E

Modèle, Modell, Modello, Μοντέλο,  
Modelo, Malli, Mudel, Modelis, Mudell, Модел, Самһай

## Part

287428, 287429

Bestelnr., Type, Teil, Codice, Del, Μέρος, Peça,  
Referencia, Osa, Součást, Részegység, Daja, Dalis,  
Część, Taqsimā, Část, Част, Part, Parte

## Complies With The EC Directives:

Voldoet aan de EG-richtlijnen, Conforme aux directives CE, Entspricht den EG-Richtlinien, Conforme alle direttive CE, Overholder EF-direktiverne, Σύμφωνα με τις Οδηγίες της ΕΚ, Em conformidade com as Directivas CE, Cumple las directivas de la CE, Täyttää EY-direktiivien vaatimukset, Uppfyller EG-direktiven, Shoda se směrnicemi ES, Vastab EÜ direktiividele, Kielegítii az EK irányelvek követelményeit, Atbilst EK direktīvām, Atitinka šias ES direktyvas, Zgodność z Dyrektywami UE, Konformi mad-Direttivi tal-KE, V skladu z direktivami ES, Je v súlade so smernicami ES, Съвместимост с Директиви на ЕО, Tá ag teacht le Treoracha an CE, Respectă directivele CE

2006/42/EC Machine Directive

2006/95/EC Low Voltage Directive

2004/108/EC EMC Directive

## Standards Used:

Gebruikte maatstaven, Normes respectées, Verwendete Normen, Norme applicate, Anvendte standarder, Πρότυπα που χρησιμοποιήθηκαν, Normas utilizadas, Normas aplicadas, Sovellettavat standardit, Tillämpade standarder, Použité normy, Rakendatud standardid, Alkalmazott szabványok, Izmantotie standarti, Taikyti standartai, Uzyte normy, Standards Uzati, Uporabljeni standardi, Použité normy, Използвани стандарти, Caighdeáin arna n-úsáid, Standarde utilizate

EN 12100, EN 60335-2-79, EN 55014-1, EN 55014-2, EN 61000-3-2, DIN EN 60335-2-79

## Notified Body for Directive

Aangemelde instantie voor richtlijn, Organisme notifié pour la directive, Benannte Stelle für diese Richtlinie, Ente certificatore della direttiva, Bemyndiget organ for direktiv, Διακοινωμένο όργανο Οδηγίας, Organismo notificado relativamente à directiva, Organismo notificado de la directiva, Direktiivien mukaisesti ilmoitettu tarkastuslaitos, Anmält organ för direktivet, Úředně oznámený orgán pro směrnici, Teavitatud asutus (direktiivi järgi), Az irányelvvvel kapcsolatban értesített testület, Pilnvarotā iestāde saskaņā ar direktīvu, Apie direktīvu Informuota institūcija, Ciało powiadomione dla Dyrektywy, Korp avzat bid-Direttiva, Priglašeni organ za direktivo, Notifikovaný orgán pre smernicu, Нотифициран орган за Директива, Comhlacht ar tugadh fógra dó, Organism notificat în conformitate cu directiva

--	--	--	--

## Approved By:

Goedgekeurd door, Approuvé par, Genehmigt von, Approvato da, Godkendt af, Έγκριση από, Aprobado por, Aprobado por, Hyväksynyt, Intygas av, Schwäilit, Kinnitanud, Jóváhagyta, Apstiprināts, Patvirtino, Zatwierdzone przez, Approvat minn, Odobril, Schválené, Одобрено от, Фаола аг, Aprobat de

Hans van Cranenbroek

Manufacturing, Engineering and Warehousing Manager

10 JANUARY 2011









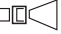
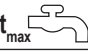







Manufactured By:  
GRACO INC.  
88 - 11<sup>th</sup> Avenue N.E.  
Minneapolis, MN 55413  
USA

Authorized Representative:  
GRACO N.V.  
Slakweidestraat 31  
3630 Maasmechelen  
BELGIUM

199382

A

## Tekniset tiedot

		AquaMax 2330E	AquaMax 2335E
	V/Ph/Hz	230/1/50	400/3/50
	A	16	10
	kW	3.3	4.2
<b>I</b>	A	15	7.6
		IP X5	IP X5
	bar/MPa	160/16	160/16
	bar/MPa	200/20	200/20
	l/h	560	700
	l/h	620	760
<b>Cleaning Impact</b>	kg/Force	3.0	3.6
		0350	0475
	°C	50	50
	bar / MPa	10/1	10/1
	mm	450 x 380 x 1040	450 x 380 x 1040
	kg	40.4	40.4
 <b>EN 60704-1</b>	dB(A)	74.6	75
 <b>L<sub>WA</sub></b>	dB(A)	87.9	90
<b>Vibration ISO 5349</b>	m/s <sup>2</sup>	< 2.5	< 2.5
<b>Recoil forces</b>	N	28	35
	l	0.225	0.225
		Agip Rotra 80W-90	



## Gracon normaali takuu

Graco takaa, että kaikki tässä käyttöoppaassa mainitut Gracon valmistamat ja sen nimellä varustetut laitteet ovat materiaalin ja työn osalta virheettömiä sinä päivänä, jolloin ne on myyty alkuperäisen ostajan käyttöön. Lukuun ottamatta Gracon myöntämiä erityisiä, jatkettuja tai rajoitettuja takuita Graco korjaa tai vaihtaa vialliseksi toteamansa laitteen osan yhden vuoden ajan myyntipäiväyksestä. Tämä takuu on voimassa vain silloin, kun laitteen asennuksessa, käytössä ja kunnossapidossa noudatetaan Gracon kirjallisia suosituksia.

Tämä takuu ei koske yleistä kulumista tai sellaista vikaa, vauriota tai kulumista, joka johtuu virheellisestä asennuksesta, väärästä käytöstä, hankauksesta, korroosiosta, riittämättömästä tai sopimattomasta kunnossapidosta, laiminlyönnistä, onnettomuudesta, laitteen muuttamisesta tai osien vaihtamisesta muihin kuin Gracon osiin, eikä Graco ole näistä vastuussa. Graco ei myöskään ole vastuussa viasta, vauriosta tai kulumisesta, joka johtuu Gracon laitteiden ja muiden kuin Gracon toimittamien rakenteiden, lisävarusteiden tai materiaalien välisestä yhteensopimattomuudesta, tai muiden kuin Gracon toimittamien rakenteiden, lisävarusteiden tai materiaalien sopimattomasta suunnittelusta, valmistuksesta, asennuksesta, käytöstä tai kunnossapidosta.

Tämän takuun ehtona on vialliseksi väitetyn laitteen palauttaminen asiakkaan kustannuksella valtuutetulle Graco-jälleenmyyjälle väitetyn vian varmistamista varten. Jos väitetty vika todetaan, Graco korjaa tai vaihtaa veloituksetta vialliset osat. Laite palautetaan alkuperäiselle ostajalle ilman kuljetuskustannuksia. Jos laitteen tarkistuksessa ei löydetä materiaali- tai työvirhettä, korjaus tehdään kohtuullista maksua vastaan, johon voi sisältyä kustannukset osista, työstä ja kuljetuksesta.

**TÄMÄ TAKUU ON YKSINOMAINEN JA KORVAA KAIKKI MUUT ILMAISTUT TAI OLETETUT TAKUUT, MUKAAN LUKIEN MUUN MUASSA TAKUU MARKKINOITAVUUDESTA TAI SOVELTUVUUDESTA TIETTYYN TARKOITUKSEEN.**

Gracon ainoa velvoite ja ostajan ainoa korvaus takuukysymyksissä on yllä esitetyn mukainen. Ostaja suostuu siihen, että mitään muuta korvausta (mukaan lukien mm. satunnaiset tai välilliset vahingonkorvaukset menetetyistä voitoista, menetetyistä myynnistä, henkilö- tai omaisuusvahingoista tai muista satunnaisista tai välillisistä menetyksistä) ei ole saatavissa. Takuuvaade on nostettava kahden (2) vuoden kuluessa myyntipäiväyksestä.

GRACO EI MYÖNNÄ MITÄÄN TAKUUTA JA TORJUU KAIKKI OLETETUT TAKUUT MARKKINOITAVUUDESTA JA SOPIVUUDESTA TIETTYYN TARKOITUKSEEN SELLAISTEN LISÄVARUSTEIDEN, LAITTEIDEN, MATERIAALIEN TAI OSIEN YHTEYDESSÄ, JOTKA GRACO ON MYYNYT MUTTEI VALMISTANUT. Näitä Gracon myymiä, mutta ei valmistamia nimikkeitä (kuten sähkömoottorit, kytkimet, letku jne.) koskee niiden valmistajan mahdollinen takuu. Graco tarjoaa ostajalle kohtuullista tukea näiden takuiden rikkomisen vuoksi tehdyissä vaateissa.

Missään tapauksessa Graco ei ole vastuussa epäsuorista, satunnaisista, erityisistä tai välillisistä vahingonkorvauksista, jotka aiheutuvat Gracon laitetoimituksista tai niihin myytyjen tuotteiden tai muiden tavaroitten hankkimisesta, toimivuudesta tai käytöstä, olipa kyseessä sopimusrikkomus, takuunalainen virhe, Gracon laiminlyönti tai jokin muu syy.

**Graco reserves the right to make changes at any time without notice.  
Käännös alkuperäisestä Ohjeet. This manual contains Finnish. MM 3A1490**

**Graco Headquarters: Minneapolis  
International Offices: Belgium, China, Japan, Korea  
GRACO INC. P.O. BOX 1441 MINNEAPOLIS, MN 55440-1441  
www.graco.com**

# Contenido

<b>1</b>	<b>Avisos de seguridad importantes.....</b>	<b>157</b>
	<i>Símbolos de las indicaciones .....</i>	157
	<i>Advertencias .....</i>	157
<b>2</b>	<b>Descripción.....</b>	<b>159</b>
	<i>Elementos de manejo .....</i>	159
	<i>Instrucciones de uso.....</i>	160
	<i>Uso previsto de la máquina .....</i>	160
	<i>Otras ayudas .....</i>	160
	<i>Antes de uso.....</i>	160
<b>3</b>	<b>Antes de la puesta en servicio.....</b>	<b>161</b>
	<i>Instalación.....</i>	161
	<i>Empalme de la manguera de alta presión .....</i>	161
	<i>Válvula BA .....</i>	162
	<i>Guía de instalación .....</i>	162
	<i>Mantenimiento .....</i>	162
	<i>Empalme de la manguera de agua.....</i>	163
	<i>Conexión eléctrica .....</i>	163
	<i>Cable de prolongación.....</i>	163
<b>4</b>	<b>Manejo / Servicio.....</b>	<b>164</b>
	<i>Empalme de la lanza de aspersión y la pistola pulverizadora .....</i>	164
	<i>Arranque de la máquina con empalme a una tubería de agua.....</i>	164
	<i>Arranque de la máquina con empalme a un depósito abierto (régimen de servicio de aspiración).....</i>	164
	<i>Regulación de la presión con la lanza Powerspeed Vario Plus.....</i>	165
	<i>Regulación de la presión en la tobera FlexoPower Plus .....</i>	165
	<i>Utilización de agentes de limpieza .....</i>	165
<b>5</b>	<b>Usos programados y métodos de trabajo .....</b>	<b>166</b>
	<i>Indicaciones generales .....</i>	166
	<i>Remojar .....</i>	166
	<i>Aplicación de agente de limpieza y de espuma.....</i>	166
	<i>Temperatura.....</i>	166
	<i>Efecto mecánico .....</i>	166
	<i>Alto caudal de agua y alta presión.....</i>	166
<b>6</b>	<b>Después del trabajo .....</b>	<b>167</b>
	<i>Desconexión de la máquina .....</i>	167
	<i>Enrollado del cable de alimentación y de la manguera de alta presión y recogida de los accesorios.....</i>	167
	<i>Almacenamiento .....</i>	167
	<i>Almacenamiento de la máquina (almacenamiento con protección contra heladas).....</i>	167
<b>7</b>	<b>Subsanación de fallos .....</b>	<b>168</b>
<b>8</b>	<b>Otros.....</b>	<b>169</b>
	<i>Transporte.....</i>	169
	<i>Reparaciones y mantenimiento .....</i>	169
	<i>Entrega del aparato para su reciclaje .....</i>	169
	<i>Garantía.....</i>	169
	<i>Atestado de conformidad de la UE.....</i>	170
	<i>Características.....</i>	171
	<i>Garantía de Graco.....</i>	172

# 1 Avisos de seguridad importantes

## Símbolos de las indicaciones

### PELIGRO

Peligro que puede causar de inmediato lesiones graves e irreversibles o la muerte.

### ADVERTENCIA

Peligro que puede causar lesiones graves o la muerte.

### PRECAUCIÓN

Peligro que puede causar lesiones leves o daños materiales.

## Advertencias

### ADVERTENCIA

- Se debe omitir cualquier operación que encierre un riesgo de seguridad.
- No debe realizarse ningún tipo de intervención o modificación en los dispositivos mecánicos, eléctricos o de seguridad térmica.
- Este aparato no ha de ser usado por niños ni personas con capacidad física, sensorial o mental reducida, o con falta de experiencia y conocimientos, salvo que no hayan sido instruidas o que estén vigiladas.
- La máquina debe utilizarse exclusivamente con los productos químicos para limpieza suministrados o recomendados por GRACO. El uso de otros productos químicos puede afectar seriamente a la seguridad de la máquina.
- Riesgo de explosión – No use el limpiador para pulverizar con líquidos inflamables.



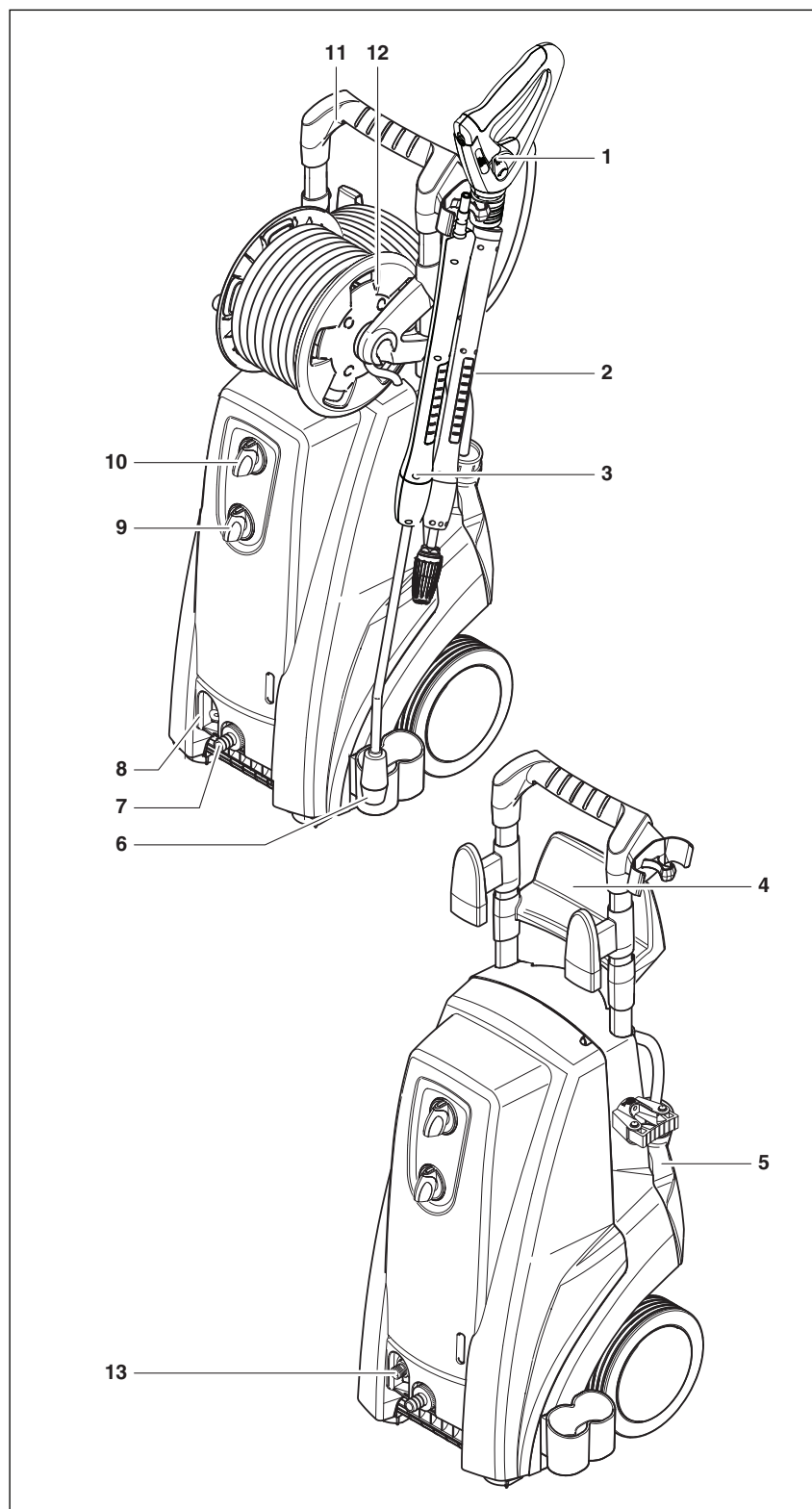
## PRECAUCIÓN

- Los chorros de alta presión pueden ser peligrosos. No dirija jamás el chorro de agua hacia personas, animales domésticos, equipos eléctricos ni hacia la propia máquina.
- No intente jamás limpiar la ropa o el calzado que lleve puesto usted mismo u otra persona.
- El operador o cualquiera que se halle próximo al lugar de limpieza deberá tomar las medidas necesarias para protegerse de posibles golpes debidos a las partículas expulsadas durante la operación. Deberá llevar gafas protectoras durante la operación.
- No cubra la máquina durante el funcionamiento de la misma
- No use nunca la máquina en un ambiente donde pueda haber peligro de explosión. Si piensa que pudiera existir esta posibilidad, vise a las autoridades locales.
- No está permitido limpiar superficies que contengan amianto con equipos de alta presión.
- Este equipo de limpieza de alta presión no debe utilizarse con temperaturas inferiores a 0° C..
- Utilice exclusivamente el combustible especificado. Si se utiliza otro tipo de combustible se pueden producir situaciones peligrosas de riesgo.
- Al estar en funcionamiento la máquina se producen fuerzas de retroceso en el dispositivo de chorro y, estando doblado el tubo pulverizador, se produce adicionalmente un momento de giro, por lo cual es imprescindible sostener el dispositivo de chorro con las dos manos.
- Deberá comprobarse si de la superficie del objeto a limpiar se desprenden materias peligrosas que penetran en el medio ambiente al limpiar el objeto en cuestión, p. ej. asbesto, aceite.
- No limpie piezas de goma, tejidos o semejantes con el chorro redondo. Guarde suficiente distancia entre la tobera de alta presión y la superficie a limpiar, para no dañarla.
- No ponga nunca la máquina en servicio sin que tenga agua. Los manguitos de la bomba también pueden deteriorarse si falta agua durante poco tiempo.
- Es Deberá omitirse todo trabajo que pueda hacer que merme la seguridad.
- No deje abierto el mango de la pistola.

## 2 Descripción

### Elementos de manejo

- |   |   |
|---|---|
| 1. Pistola de aspersión                                 | 8. Conexión de agua para el<br>carrete de la manguera |
| 2. Cable de conexión eléctrica                          | 9. Interruptor principal                              |
| 3. Lanza de aspersión                                   | 10. Dosificador del agente de<br>limpieza             |
| 4. Soporte para el cable de con-<br>exión a la red      | 11. Asidero de transporte                             |
| 5. Depósito de detergente                               | 12. Tambor para la manguera <sup>1)</sup>             |
| 6. Soporte para la lanza de as-<br>persión              | 13. Conexión para manguera de<br>alta presión         |
| 7. Conexión para el agua y filtro<br>de entrada de agua |   |



## Instrucciones de uso



Antes de poner en marcha el equipo, lea sin falta este documento completamente y guárdelo al alcance de la mano.

La explotación de la máquina está sujeta a las disposiciones nacionales vigentes.

Aparte de las instrucciones de servicio y las reglamentaciones obligatorias sobre prevención de accidentes que rigen en el país del usuario, hay que observar también las reglas técnicas reconocidas para el trabajo seguro y técnicamente correcto.

## Uso previsto de la máquina

Este limpiador a alta presión se ha diseñado para uso profesional. Puede utilizarse para la limpieza de equipos de construcción y agrícolas, establos, vehículos, superficies oxidadas, etc.

El limpiador no está aprobado para la limpieza de superficies que estén en contacto con alimentos.

Todo uso que vaya más allá de dicha finalidad será considerado como inadecuado. El fabricante no responderá de los daños resultantes.

Forma también parte de la utilización conforme a la finalidad: la observación de las condiciones de servicio, mantenimiento y entretenimiento prescritas por el fabricante.

## Otras ayudas

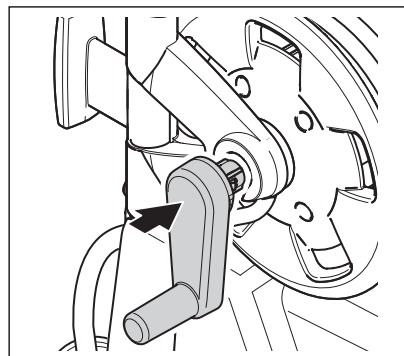
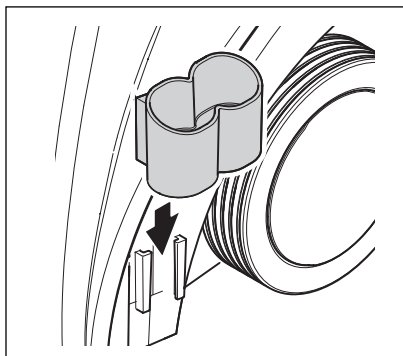
Para otro tipo de cuestiones, diríjase, por favor, al servicio técnico de Nilfisk en su país.

## Antes de uso

Antes de comenzar compruebe detenidamente que su máquina no presenta defectos. Si encontrara alguno, no utilice la máquina y póngase en contacto con su distribuidor de GRACO.

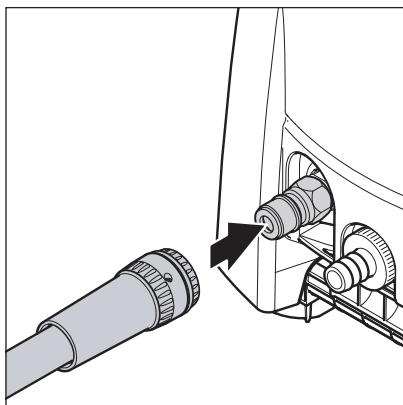
# 3 Antes de la puesta en servicio

## Instalación

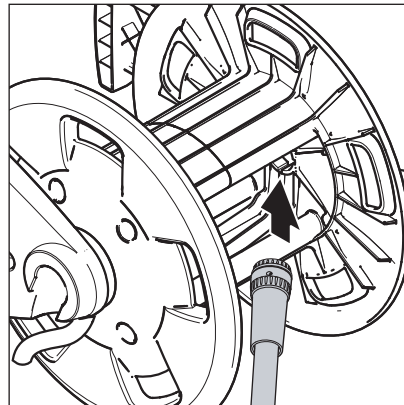


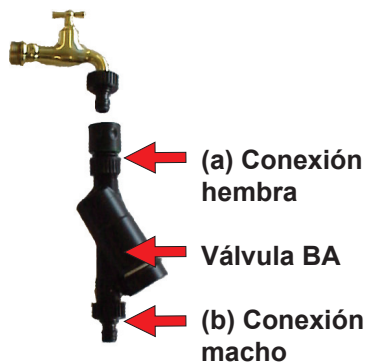
## Empalme de la manguera de alta presión


Máquinas sin tambor para la manguera.



Máquinas con tambor para la manguera.



**Válvula BA**

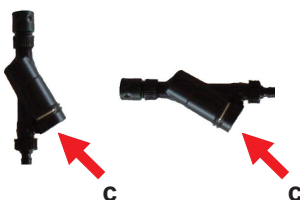
 Este limpiador/máquina limpiadora debe conectarse exclusivamente al suministro de agua potable, siempre que se haya instalado una válvula que evite flujos de retorno, del tipo BA de acuerdo a la norma EN 1717.

Los números de pedido de la válvula BA son:

- Válvula BA con acoplamientos GARDENA: 106411177
- Válvula BA con acoplamientos NITO: 106411178
- Válvula BA con acoplamientos GEKA: 106411179
- Válvula BA sin acoplamientos: 106411184

Los números de pedido de los acoplamientos son:

- 3/4" GARDENA (a): 32541
- 3/4" GARDENA (b): 1608629
- 3/4" NITO (a): 1602945
- 3/4" NITO (b): 1600659
- 1/2" NITO (b): 1604669
- 3/4" GEKA (a): 1718
- 3/4" GEKA (b): 1311

**Guía de instalación**

1. Instale un conector macho en el grifo.
2. Conecte (a) la válvula BA al grifo.
3. Instale un conector hembra en la manguera de la toma de agua.
4. Conecte (b) la válvula BA a la manguera de la toma de agua.
5. Conecte la manguera de la toma de agua a la máquina de alta presión.
6. Abra el grifo y arranque la máquina.

**PRECAUCIÓN**

- Se puede instalar una válvula contra el flujo de retorno en posición vertical u horizontal, y la apertura de drenaje (c) debe colocarse apuntando hacia abajo.
- El agua debe poder fluir libremente por el drenaje (c).
- Si hay riesgo de que entre arena en la toma del agua (procedente del pozo por ejemplo), se debe instalar un filtro adicional entre el grifo y la válvula contra el flujo de retorno.
- La longitud de la manguera entre la válvula contra flujos de retorno y el limpiador a alta presión debe ser de 12 metros, como mínimo, para absorber posibles picos de presión.
- En cuanto el agua atraviesa la válvula BA, deja de ser potable inmediatamente.
- Proteja la válvula de las heladas.
- Mantenga la válvula limpia.

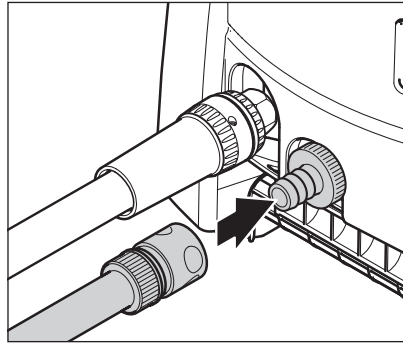
**Mantenimiento**

Por lo menos una vez al año compruebe el funcionamiento de la siguiente manera:

1. Después de su uso, apague la limpiadora de alta presión.
2. Cierre el grifo.
3. Libere la presión de la manguera de la toma de agua activando la pistola de pulverización.
4. Desmonte la válvula. El agua tiene que salir de la abertura de drenaje (c) (máximo 100 ml) para asegurar la separación del agua potable.
5. Si este no es el caso, intente limpiar la válvula BA o póngase en contacto con GRACO.



## Empalme de la manguera de agua



1. Lave la manguera de agua brevemente con agua antes de enchufarla a la máquina, con el fin de que no accedan a la máquina arena o otras partículas de suciedad.
2. Enchufe la manguera de agua con el acoplamiento rápido a la toma de agua.
3. Abra el grifo de agua.

### PRECAUCIÓN

- En caso de tener agua de mala calidad (arenas en suspensión, etc.), monte un filtro de agua en la entrada de agua.
- En la conexión de la máquina utilice una manguera con refuerzo de fibra de un grosor nominal de 3/4" (19 mm).

## Conexión eléctrica



Cuide siempre en las máquinas con conmutación de tensión<sup>1)</sup> de que esté ajustada la tensión de red correcta antes de acoplar el enchufe a la toma de corriente. En otro caso, puede destruir los componentes eléctricos de la máquina.

### PRECAUCIÓN

- Deberá conectar únicamente la máquina a una instalación con toma de tierra.
- La instalación eléctrica deberá efectuarla un electricista autorizado.
- De acuerdo al estándar IEC- 60364-1 se recomienda encarecidamente la instalación de un interruptor diferencial para corriente residual (GFCI) en el suministro eléctrico de esta máquina.
- No deteriorar el cable eléctrico (p. ej. pisándolo, tirando de él o aplastándolo).
- Sacar el cable eléctrico cogiéndolo directamente del enchufe (no tirando ni estirando del cable).

## Cable de prolongación

Utilice como cable de extensión sólo tipos de cable establecidos por el fabricante o en una ejecución de alta calidad.

En caso de utilización de un cable de prolongación, se ha de tener en cuenta el tamaño transversal mínimo del cable:

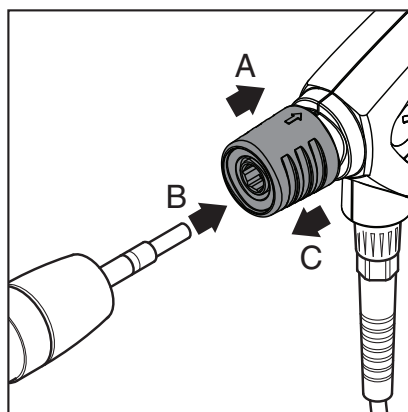
Largo del cable	Corte transversal	
	< 16 A	< 25 A
hasta 20 m	1.5 mm <sup>2</sup>	2.5 mm <sup>2</sup>
de 20 hasta 50 m	2.5 mm <sup>2</sup>	4.0 mm <sup>2</sup>

### PRECAUCIÓN

- Al utilizar bobinas de cable: Desenrollar el cable de conexión siempre por completo debido al peligro de sobrecalentamiento y de incendio.
- Las conexiones de cables deberán mantenerse secas y alejadas del suelo.

## 4 Manejo / Servicio

### Empalme de la lanza de aspersión y la pistola pulverizadora

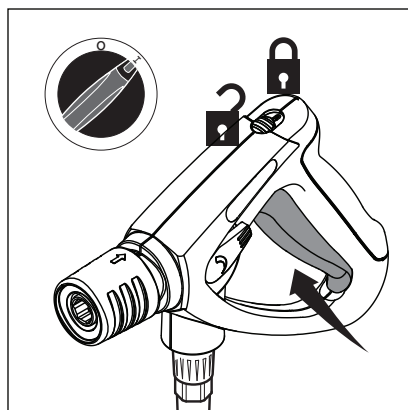


1. Tire hacia atrás de la conexión rápida de color azul (A) de la pistola rociadora.
2. Introduzca la boquilla de la lanza (B) en la conexión rápida y suéltela.
3. Tire de la lanza (o del accesorio conectado) hacia delante para comprobar que ha quedado correctamente conectada a la pistola rociadora.

#### PRECAUCIÓN

Limpie siempre eventuales partículas de suciedad en la boquilla antes de unir la lanza de aspersión a la pistola pulverizadora.

### Arranque de la máquina con empalme a una tubería de agua

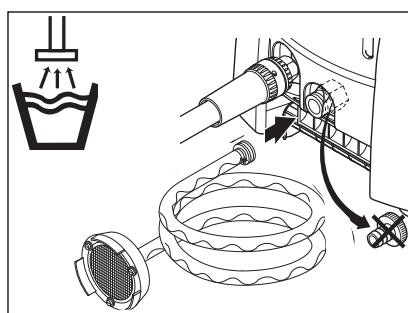


1. Ponga el interruptor principal en la posición "I".
2. Desbloquee y accione la pistola de aspersión.
3. Ponga el seguro de la pistola también en las interrupciones del trabajo breves.

#### PRECAUCIÓN

Para hacer salir el aire del sistema, active varias veces la pistola de aspersión en intervalos breves.

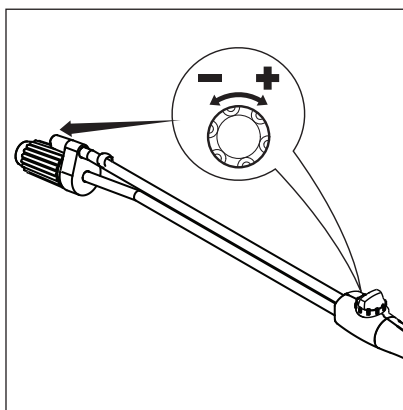
### Arranque de la máquina con empalme a un depósito abierto (régimen de servicio de aspiración)



1. Se ha de llenar de agua el juego de aspiración de GRACO antes de enchufarlo a la máquina.
2. Conecte el interruptor central, interruptor en la posición "I".
3. Desbloquee la pistola de aspersión y acciónela.

Altura de elevación máx. (Impreso) = 1m.

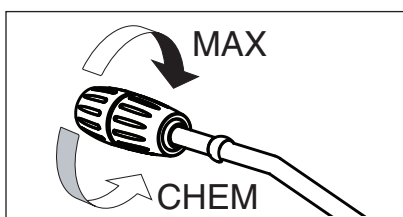
### Regulación de la presión con la lanza Powerspeed Vario Plus



Se ha de tirar el botón giratorio en el equipo de pulverización:

- Presión alta = en sentido de las agujas del reloj (+)
- Presión baja = en sentido contrario a las agujas del reloj (-)

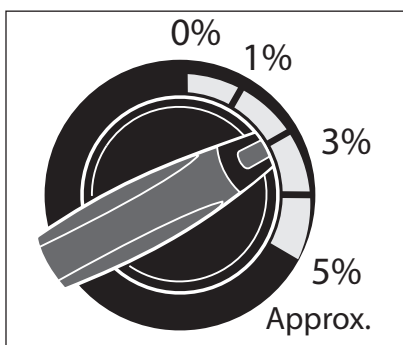
### Regulación de la presión en la tobera FlexoPower Plus



Gire el casquillo de la tobera FlexoPower Plus:

- Presión alta = MAX,
- Presión baja = MIN. (CHEM)

### Utilización de agentes de limpieza



Los agentes de limpieza sólo pueden ser aspirados por el inyector montado de serie en la

gama de bajas presiones.

1. Diluya el agente de limpieza siguiendo las instrucciones del fabricante.
2. Disminuya la presión mediante el regulador.
3. Ajuste el volumen deseado de agente de limpieza haciendo girar la válvula dosificadora.
4. Ponga el interruptor principal en la posición "I".
5. Accione la pistola de aspersión.

#### PRECAUCIÓN

Los agentes de limpieza no deben secarse. ¡La superficie a limpiar podría deteriorarse!

# 5 Usos programados y métodos de trabajo

## Indicaciones generales

La limpieza efectiva a alta presión se consigue observando algunas pocas directrices, junto con la experiencia propia en áreas especiales. Los accesorios y los agentes de limpieza pueden, si se utilizan correctamente, reforzar el efecto de limpieza. A continuación, algunas consideraciones básicas.

## Remojar

Las costras de suciedad duras y gruesas se pueden despegar o ablandar si se ponen al remojo durante un cierto tiempo. Es un método ideal para utilizar especialmente en la agricultura -por ejemplo en las pocilgas. El mejor resultado se obtiene aplicando agentes alcalinos y espumantes. Se ha de rociar la superficie con una solución limpiadora y dejarla actuar 30 minutos. Después, se puede limpiar mucho más rápido con el chorro a alta presión.

## Aplicación de agente de limpieza y de espuma

El agente de limpieza y la espuma se han de rociar sobre la superficie seca, para que el agente de limpieza entre en contacto con la suciedad sin mayor dilución. En las superficies verticales se ha de trabajar de abajo hacia arriba, para impedir que se formen ondas cuando corre la solución de limpiador. Déjelo actuar algunos minutos antes de limpiar con el chorro a alta presión. No deje secar el limpiador.

## Temperatura

El efecto de limpieza se refuerza con temperaturas mayores. Especialmente las grasas y los aceites se pueden eliminar con más facilidad y rapidez. Las proteínas se disuelven de forma óptima a 60°C, los aceites y las grasas entre 70°C y 90°C.

## Efecto mecánico

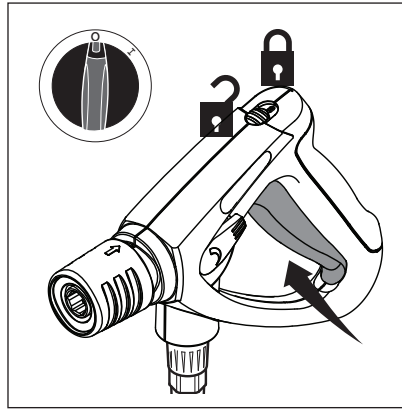
Para eliminar las capas de suciedad más tenaces se requiere una acción mecánica adicional. Con lanzas especiales y cepillos de lavado (rotativos) se obtienen los mejores resultados en la limpieza de las capas de suciedad.

## Alto caudal de agua y alta presión

La presión alta no es siempre la mejor solución, aparte de que una presión demasiado alta puede dañar las superficies. El efecto de limpieza depende, asimismo, del caudal de agua. Una presión de 100 mbar es suficiente en la limpieza de vehículos (utilizada con agua templada). Caudales de agua superiores permiten el lavado y arrastre de la suciedad desprendida.

## 6 Después del trabajo

### Desconexión de la máquina



1. Desconecte el interruptor principal, interruptor en posición "OFF".
2. Cierre la llave de agua.
3. Accione la pistola de aspersión hasta que la máquina quede sin presión.
4. Coloque el seguro de la pistola de aspersión.

### Enrollado del cable de alimentación y de la manguera de alta presión y recogida de los accesorios

1. Enrolle el cable de alimentación.
2. Enrolle la manguera.
3. Cuelgue la lanza de aspersión y los accesorios en los correspondientes soportes.

#### PRECAUCIÓN

Riesgo de tropezar. Para evitar accidentes, enrolle con cuidado el cable de alimentación y la manguera.

### Almacenamiento

Almacene el equipo en un lugar seco y protegido contra heladas.

### Almacenamiento de la máquina (almacenamiento con protección contra heladas)

Si se deposita la máquina de limpieza en un recinto en el cual reina una temperatura en torno a 0°C o menor, se tiene que aspirar previamente anticongelante a través de la bomba:

1. Separe de la máquina la manguera de entrada de agua.
2. Retire la lanza de aspersión.
3. Conecte la máquina, interruptor en posición "I".
4. Conecte una manguera de aspiración corta a la toma de agua de la aspiradora y coloque el otro extremo en un depósito con anticongelante.
5. Conecte la máquina, interruptor en posición "I".
6. Mantenga la pistola pulverizadora encima del depósito de anticongelante y acciónela para iniciar el proceso de aspiración.
7. Accione la pistola pulverizadora 2 o 3 veces durante el proceso de aspiración.
8. Levante la manguera de aspiración del depósito con el anticongelante y accione la pistola pulverizadora para bombear el anticongelante restante.
9. Desconecte la máquina.

#### CAUTION

- De ser posible, se ha de depositar la máquina antes de la nueva puesta en servicio en un recinto caldeado, con el fin de evitar todo tipo de riesgos.
- No conecte nunca una máquina congelada.

## 7 Subsanación de fallos

Fallo	Causa	Subsanación
Caída de presión	<ul style="list-style-type: none"> <li>Aire en el sistema</li> <li>Tobera de AP taponada/desgastada</li> <li>Depósito de agente de limpieza vacío</li> </ul>	<ul style="list-style-type: none"> <li>Desairear el sistema accionando la pistola varias veces en cortos intervalos de tiempo y, eventualmente, poner en servicio brevemente la máquina con la manguera de alta presión sin conectar.</li> <li>Limpiar/cambiar la tobera AP</li> <li>Llenar depósito de agente de limpieza o poner válvula dosificadora en posición "0".</li> </ul>
Oscilación de la presión	<ul style="list-style-type: none"> <li>La bomba aspira aire (sólo posible en régimen de servicio de aspiración)</li> <li>Falta de agua</li> <li>Manguera de entrada de agua demasiado larga o de una sección demasiado pequeña</li> <li>Falta de agua debido a filtro de agua taponado</li> <li>Falta de agua debido a inobservancia de la altura máxima de elevación de agua</li> </ul>	<ul style="list-style-type: none"> <li>Verificar estanqueidad del juego de aspiración</li> <li>Abrir la llave de agua</li> <li>Usar la manguera de entrada de agua prescrita</li> <li>Limpiar el filtro de agua en la toma de agua (¡no trabaje nunca sin filtro de agua!)</li> <li>Ver Puesta en servicio</li> </ul>
El motor no arranca al conectar	<ul style="list-style-type: none"> <li>Enchufe no está bien conectado, interrupción de la corriente</li> </ul>	<ul style="list-style-type: none"> <li>Verificar el enchufe, la línea y el interruptor y, en su caso hágalo cambiar por un electricista</li> </ul>
El motor ronronea al conectar, sin arrancar	<ul style="list-style-type: none"> <li>Fusible desconectado</li> <li>La tensión de red es demasiado baja o pérdida de fase</li> <li>Bomba bloqueada o congelada</li> <li>Sección o largo del cable de extensión incorrectos</li> </ul>	<ul style="list-style-type: none"> <li>Conectar el fusible</li> <li>Hacer verificar la instalación eléctrica.</li> <li>Informar al servicio técnico de GRACO.</li> <li>Usar un cable de sección y largo correctos.</li> </ul>
El motor se desconecta	<ul style="list-style-type: none"> <li>Se ha disparado la protección contra sobrecarga debido a sobrecalentamiento o sobrecarga del motor</li> <li>Tobera de alta presión sucia</li> </ul>	<ul style="list-style-type: none"> <li>Verificar si coinciden la tensión de alimentación y la tensión de la máquina. Se ha de desconectar y dejar enfriar como mínimo 3 minutos.</li> <li>Cambiar la tobera de alta presión</li> </ul>
Falta de agente de limpieza	<ul style="list-style-type: none"> <li>Inyector sucio o manguera de aspiración obstruida</li> <li>Depósito de agente de limpieza vacío</li> <li>No se ha ajustado el tornillo giratorio en la lanza de aspersión a la presión baja</li> </ul>	<ul style="list-style-type: none"> <li>Limpiar</li> <li>Llenar el depósito de agente de limpieza</li> <li>Girar el botón giratorio de la lanza de aspersión en contra del sentido de giro de las agujas del reloj hasta el tope</li> </ul>

## 8 Otros

### Transporte

Para transportar la máquina con seguridad en y sobre vehículos, recomendamos su fijación con cinturones, de modo que no pueda deslizarse o volcarse.

Transporte con la máquina recostada:

- No volquee la máquina o la deposite sobre el costado con las conexiones.
- Retire la manguera de aspiración del depósito de agente de limpieza, y cierre el depósito con la tapa que le ha sido suministrada.
- Antes de conectar la máquina: cuide de que el aceite haya refluído del recipiente recolector al cuerpo de la bomba. Controle el nivel de aceite, y, en su caso, rellene de aceite.

Se recomienda la utilización de anticongelantes, tal como se describe en el apartado 6, cuando se quiera desplazar la máquina y los accesorios a temperatura en torno a 0°C o inferiores.

### Reparaciones y mantenimiento

Desenchufe siempre la clavija de la toma de corriente antes de realizar cualquier trabajo de mantenimiento en la máquina

### Entrega del aparato para su reciclaje

Inutilice inmediatamente el aparato fuera de uso.

1. Extraiga el enchufe
2. Corte el cable de conexión a la corriente.
3. ¡No tire aparatos eléctricos a la basuradoméstica!



Conforme a la directriz europea 2002/96/CE sobre aparatos viejos eléctricos y electrónicos, se tienen que recoger los aparatos eléctricos

usados y entregar a un reciclaje según las normas medioambientales.

### Garantía

La garantía y las responsabilidades están estipuladas en nuestras condiciones generales de venta y suministro.

Reservados los derechos a modificaciones debidas a innovaciones técnicas.

## Atestado de conformidad de la UE



# EC-DECLARATION OF CONFORMITY

EG-VERKLARING VAN OVEREENSTEMMING, DÉCLARATION DE CONFORMITÉ CE, EG-KONFORMITÄTSEKTLÄRUNG, DICHIARAZIONE DI CONFORMITÀ CE, EF-OVERENSSTEMMELSESEKTLÆRING, ΕΚ-ΔΗΛΩΣΗ ΣΥΜΜΟΡΦΩΣΗΣ, DECLARAÇÃO DE CONFORMIDADE - CE, DECLARACIÓN DE CONFORMIDAD DE LA CE, EY-VAATIMUSTENMUKAISUUSVAKUUTUS, EG-DEKLARATION OM ÖVERENSSTÄMMELSE, ES PROHLÁŠENÍ O SHODĚ, EÜ VASTAVUSDEKLARATSIOON, EC MEGFEJELŐSÉGI NYILATKOZAT, EK ATBILSTĪBAS DEKLARĀCIJA, ES ATĪTĪKĪES DEKLARĀCIJA, DEKLARACJA ZGODNOŚCI UE, DIKJARAZZJONI-KE TA' KONFORMITA', IZJAVA ES O SKLADNOSTI, ES - VYHLÁŠENIE O ZHODE, ΕΟ-ΔΕΚΛΑΡΑCΙΑ ΖΑ CΩΒΜΕCΤΙΜΟCΤ, DEIMHNIÚ COMHRÉIREACHTA CE, CE-DECLARAȚIE DE CONFORMITATE

## Model

Modèle, Modell, Modello, Μοντέλο, Modelo, Malli, Mudel, Modelis, Mudell, Модел, Samhail

**AquaMax 2330E, 2335E**

## Part

Bestelnr., Type, Teil, Codice, Del, Μέρος, Peça, Referencia, Osa, Součást, Részegység, Daja, Dalis, Część, Taqsim, Čast', Част', Páirt, Parte

**287428, 287429**

## Complies With The EC Directives:

Volddet aan de EG-richtlijnen, Conforme aux directives CE, Entspricht den EG-Richtlinien, Conforme alle direttive CE, Overholder EF-direktiverne, Σύμφωνα με τις Οδηγίες της ΕΚ, Em conformidade com as Directivas CE, Cumple las directivas de la CE, Täyttää EY-direktiivien vaatimukset, Uppfyller EG-direktiven, Shoda se směrnicemi ES, Vastab EÜ direktiividele, Kielégíti az EK irányelvek követelményeit, Atbilst EK direktívam, Atitinka šias ES direktyvas, Zgodność z Dyrektywami UE, Konformi mad-Direttivi tal-KE, V skladu z direktivami ES, Je v súlade so smernicami ES, Съвместимост с Директиви на ΕΟ, Tá ag teacht le Treoracha an CE, Respectá directivele CE

2006/42/EC Machine Directive

2006/95/EC Low Voltage Directive

2004/108/EC EMC Directive

## Standards Used:

Gebruikte maatstaven, Normes respectées, Verwendete Normen, Norme applicate, Anvendte standarder, Πρότυπα που χρησιμοποιήθηκαν, Normas utilizadas, Normas aplicadas, Sovellettavat standardit, Tillämpade standarder, Použité normy, Rakendatud standardid, Alkalmazott szabványok, Izmantotie standarti, Taikyti standartai, Uzyte normy, Standards Uzati, Uporabljeni standardi, Použité normy, Използвани стандарти, Caighdeán arna n-úsáid, Standarde utilizate

EN 12100, EN 60335-2-79, EN 55014-1, EN 55014-2, EN 61000-3-2, DIN EN 60335-2-79

## Notified Body for Directive

Aangemelde instantie voor richtlijn, Organisme notifié pour la directive, Benannte Stelle für diese Richtlinie, Ente certificatore della direttiva, Bemyndiget organ for direktiv, Διακοινυμένο όργανο Οδηγίας, Organismo notificado relativamente à directiva, Organismo notificado de la directiva, Direktiivin mukaisesti ilmoitettu tarkastuslaitos, Anmält organ för direktivet, Úředně oznámený orgán pro směrnici, Teavitatud asutus (direktiivi järgi), Az irányelvvvel kapcsolatban értesített testület, Pilnvarotā iestāde saskaņā ar direktīvu, Apie direktīvu Informuota institūcija, Ciało powiadomione dla Dyrektywy, Korp avzat bid-Direttiva, Priglašeni organ za direktivo, Notifikovaný orgán pre smernicu, Нотифициран орган за Директива, Comhlacht ar tugadh fógra dó, Organism notificat în conformitate cu directiva

--	--	--	--

## Approved By:

Goedgekeurd door, Approuvé par, Genehmigt von, Approvato da, Godkendt af, Έγκριση από, Aprovado por, Aprobado por, Hyväksynyt, Intygas av, Schwäilit, Kinnitanud, Jóváhagyta, Apstiprināts, Patvirtino, Zatwierdzone przez, Approvat minn, Odobril, Schválené, Одобрено от, Faofa ag, Aprobat de

**Hans van Cranenbroek**

Manufacturing, Engineering and Warehousing Manager

**10 JANUARY 2011**

Manufactured By:  
GRACO INC.  
88 - 11<sup>th</sup> Avenue N.E.  
Minneapolis, MN 55413  
USA









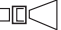
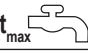







Authorized Representative:  
GRACO N.V.  
Slakweidestraat 31  
3630 Maasmechelen  
BELGIUM

**199382**

**A**



## Características

		AquaMax 2330E	AquaMax 2335E
	V/Ph/Hz	230/1/50	400/3/50
	A	16	10
	kW	3.3	4.2
<b>I</b>	A	15	7.6
		IP X5	IP X5
	bar/MPa	160/16	160/16
	bar/MPa	200/20	200/20
	l/h	560	700
	l/h	620	760
<b>Cleaning Impact</b>	kg/Force	3.0	3.6
		0350	0475
	°C	50	50
	bar / MPa	10/1	10/1
	mm	450 x 380 x 1040	450 x 380 x 1040
	kg	40.4	40.4
 <b>EN 60704-1</b>	dB(A)	74.6	75
 <b>L<sub>WA</sub></b>	dB(A)	87.9	90
<b>Vibration ISO 5349</b>	m/s <sup>2</sup>	< 2.5	< 2.5
<b>Recoil forces</b>	N	28	35
	l	0.225	0.225
 <b>TYPE</b>	Agip Rotra 80W-90		

## Garantía de Graco

Graco garantiza que todos los equipos referenciados en este documento que han sido manufacturados por Graco y que portan su nombre están libres de cualquier defecto en sus materiales y mano de obra en la fecha al comprador original para su uso. Por un período de doce meses desde la fecha de venta, Graco reparará o reemplazará cualquier pieza o equipo que Graco determine que está defectuoso. Esta garantía es válida solamente cuando el equipo ha sido instalado, operado y mantenido de acuerdo con las recomendaciones escritas de Graco.

Esta garantía no cubre, y Graco no será responsable del desgaste o rotura general, o cualquier fallo de funcionamiento, daño o desgaste causado por una instalación defectuosa, una aplicación incorrecta, abrasión, corrosión, mantenimiento incorrecto o inadecuado, negligencia, accidente, manipulación o sustitución con piezas que no sean de Graco. Graco tampoco asumirá responsabilidad alguna por las averías, daños o desgastes causados por la incompatibilidad del equipo Graco con los montajes, accesorios, equipo o materiales que no hayan sido suministrados por Graco, o el diseño, fabricación, instalación, funcionamiento o mantenimiento incorrecto de los montajes, accesorios, equipo o materiales que no hayan sido suministrados por Graco.

Esta garantía está condicionada a la devolución ante prepago del equipo supuestamente defectuoso en un distribuidor Graco para la verificación del defecto. Si el defecto se verifica, Graco reparará o reemplazará gratuitamente cualquier parte defectuosa. El equipo se devolverá al comprador original previo pago del transporte. Si la inspección del equipo no revela ningún defecto en el material o en la mano de obra, las reparaciones se harán a un precio razonable, cuyos cargos puedes incluir el coste de las partes, mano de obra y transporte.

ESTA GARANTÍA ES EXCLUSIVA, Y SUSTITUIRÁ A CUALQUIER OTRA, EXPRESA O IMPLÍCITA, INCLUYENDO, PERO SIN LIMITARSE A ELLO, LA GARANTÍA DE COMERCIALIZACIÓN O LA GARANTÍA DE APTITUD PARA UN FIN DETERMINADO.

La única obligación de Graco y el único recurso del comprador para el incumplimiento de la garantía será según los términos mencionados anteriormente. El comprado acuerda que ningún otro remedio (incluyendo pero no limitado a daños incidentales o consecuentes por pérdida de beneficios, pérdida de ventas, daños a las personas o propiedades, o cualquier otra pérdida incidental o consecuente) estará disponible. Cualquier acción de incumplimiento de la garantía de Graco debe llevarse a cabo en los dos (2) años posteriores a la fecha de venta.

GRACO NO GARANTIZA Y RECHAZA TODA SUPUESTA GARANTÍA DE COMERCIALIZACIÓN Y APTITUD PARA UN PROPÓSITO EN PARTICULAR, EN LO QUE REFIERE A ACCESORIOS, EQUIPO, MATERIALES O COMPONENTES VENDIDOS, PERO NO FABRICADOS, POR GRACO. Estos artículos vendidos pero no manufacturados por Graco (como los motores eléctricos, interruptores, mangueras, etc) están sujetos a la garantía en todo caso de su fabricante. Graco ofrecerá al cliente la asistencia razonable para realizar reclamaciones derivadas del incumplimiento de dichas garantías.

Bajo ninguna circunstancia, Graco será responsable de los daños indirectos, fortuitos, especiales o indirectos resultantes del suministro por parte de Graco del equipo mencionado más adelante, o del equipamiento, rendimiento o uso de ningún producto u otros bienes vendidos al mismo tiempo, tanto en lo que se refiere a un incumplimiento de contrato como a un incumplimiento de garantía, negligencia de Graco o de cualquier otra forma.

**Graco reserves the right to make changes at any time without notice.**

**Traducción del Manual original de instrucciones. This manual contains Spanish. MM 3A1490**

**Graco Headquarters:** Minneapolis

**International Offices:** Belgium, China, Japan, Korea

**GRACO INC. P.O. BOX 1441 MINNEAPOLIS, MN 55440-1441**

**www.graco.com**

# Conteúdo

<b>1</b>	<b>Avisos de segurança importantes.....</b>	<b>174</b>
	<i>Marcação de indicações.....</i>	174
	<i>Avisos.....</i>	174
<b>2</b>	<b>Descrição.....</b>	<b>176</b>
	<i>Elementos de comando.....</i>	176
	<i>Instruções para utilização.....</i>	177
	<i>Utilização.....</i>	177
	<i>Apoio adicional.....</i>	177
	<i>Antes do uso.....</i>	177
<b>3</b>	<b>Antes da colocação em funcionamento.....</b>	<b>178</b>
	<i>Instalação.....</i>	178
	<i>Conectar a mangueira de alta pressão.....</i>	178
	<i>Válvula BA.....</i>	179
	<i>Guia de instalação.....</i>	179
	<i>Manutenção.....</i>	179
	<i>Conectar a mangueira de água.....</i>	180
	<i>Conexão eléctrica.....</i>	180
	<i>Extensões.....</i>	180
<b>4</b>	<b>Comando / Funcionamento.....</b>	<b>181</b>
	<i>Conectar o tubo de pulverização na pistola de pulverização.....</i>	181
	<i>Ligar o aparelho em caso de conexão a uma canalização de água.....</i>	181
	<i>Ligar o aparelho em caso de conexão a recipientes abertos (funcionamento por aspiração).....</i>	181
	<i>Regulação da pressão com a lança Powerspeed Vario Plus.....</i>	182
	<i>Regulação de pressão da tubeira FlexoPower Plus.....</i>	182
	<i>Emprego de produtos de limpeza.....</i>	182
<b>5</b>	<b>Áreas de emprego e métodos de trabalho.....</b>	<b>183</b>
	<i>Instruções gerais.....</i>	183
	<i>Maceração.....</i>	183
	<i>Aplicar agente de limpeza e espuma.....</i>	183
	<i>Temperatura.....</i>	183
	<i>Efeito mecânico.....</i>	183
	<i>Grande potência de água e alta pressão.....</i>	183
<b>6</b>	<b>Depois do trabalho pronto.....</b>	<b>184</b>
	<i>Desligar o aparelho.....</i>	184
	<i>Enrolar as linhas de conexão e a mangueira de alta pressão e guardar os acessórios.....</i>	184
	<i>Armazenamento.....</i>	184
	<i>Guardar a máquina (armazenamento a salvo de temperaturas negativas).....</i>	184
<b>7</b>	<b>Eliminar falhas.....</b>	<b>185</b>
<b>8</b>	<b>Outros.....</b>	<b>186</b>
	<i>Transporte.....</i>	186
	<i>Reparação e manutenção.....</i>	186
	<i>Enviar o aparelho para reciclagem.....</i>	186
	<i>Garantia.....</i>	186
	<i>Atestado de conformidade da UE.....</i>	187
	<i>Dados técnicos.....</i>	188
	<i>Garantia Standard da Graco.....</i>	189

# 1 Avisos de segurança importantes

## Marcação de indicações

### PERIGO

Perigo imediato de ferimentos graves e irreversíveis ou até mesmo de morte.

### PERIGO

Perigo de ferimentos graves ou até mesmo de morte.

### CUIDADO

Perigo de ferimentos ligeiros ou danos materiais.

## Avisos

### PERIGO

- Evitar qualquer modo de trabalho que possa oferecer riscos.
- Não se devem alterar as modalidades mecânicas, eléctricas ou de refrigeração.
- Este aparelho não foi concebido para ser utilizado por crianças ou pessoas cujas capacidades físicas, sensoriais ou mentais sejam reduzidas ou que não possuam os conhecimentos e experiência necessários, excepto se forem vigiadas e instruídas acerca da utilização do aparelho.
- Esta máquina apenas deverá ser utilizada com detergentes químicos fornecidos ou recomendados pela GRACO. A utilização de outros detergentes químicos poderá afectar de forma adversa a segurança da máquina.
- Risco de explosão - Não utilize a máquina de limpeza para pulverizar com líquidos inflamáveis.



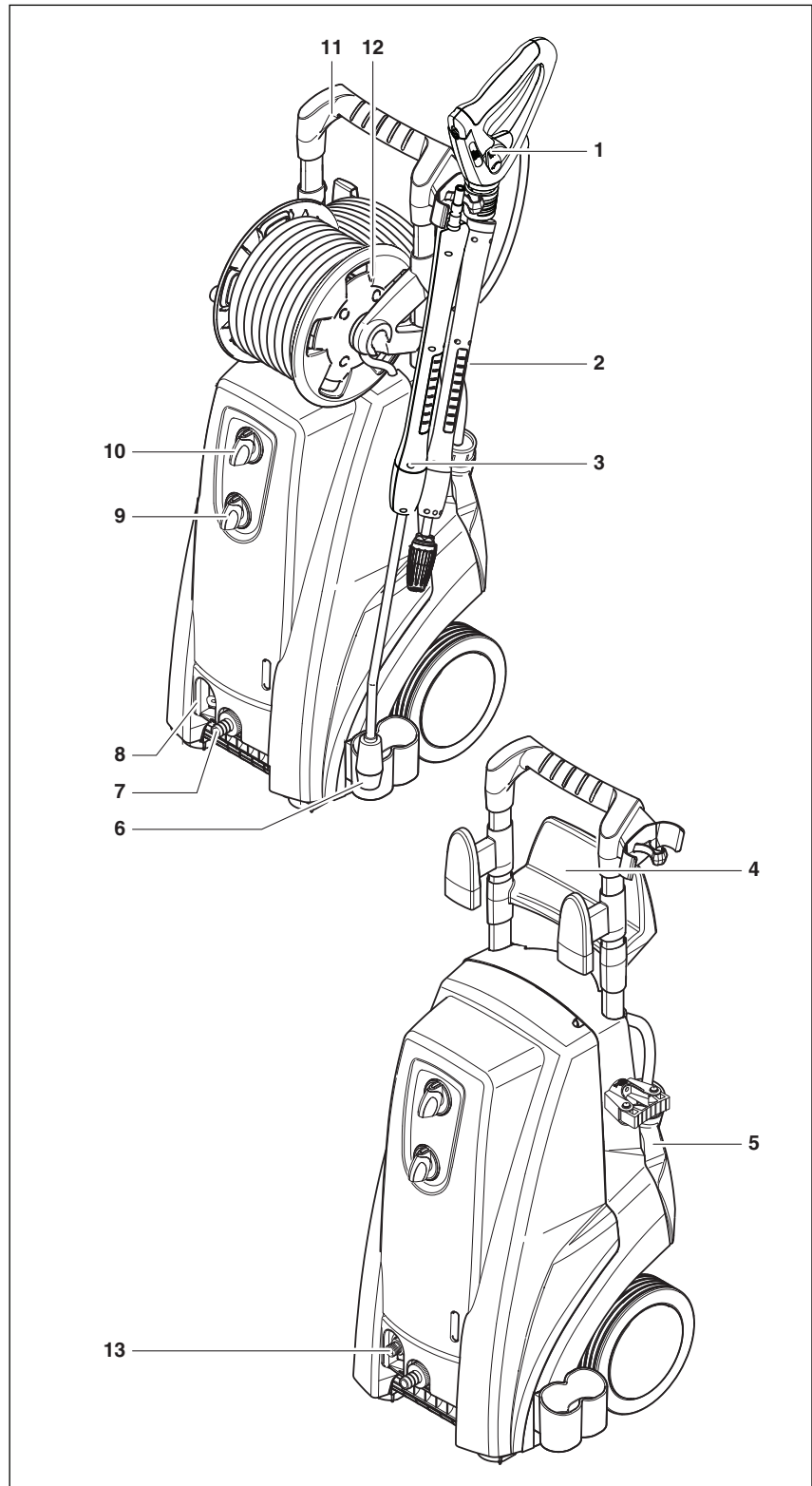
## CUIDADO

- Os jactos de alta pressão podem ser perigosos. Nunca direcione jactos de água para pessoas, animais, equipamento eléctrico ligado ou para a própria máquina.
- Nunca tente limpar roupas ou calçado que estejam a ser usados por si ou por outras pessoas.
- O operador e quem se encontrar próximo do local de limpeza deve proteger-se para não ser atingido pelos fragmentos libertados durante a operação. Use óculos de protecção durante a operação.
- Não cubra a máquina durante a operação ou use-o em uma sala sem ventilação apropriada! funcionamento desta.
- Nunca utilize a máquina em ambientes onde possa existir perigo de explosão. Se tiver alguma dúvida, contacte as autoridades locais.
- As superfícies que contenham amianto não podem ser limpas a alta pressão
- A lavadora de alta pressão não deve ser utilizada a temperaturas inferiores a 0 °C.
- Utilize apenas o combustível correcto, como especificado. Os combustíveis inadequados podem provocar perigos graves.
- Ao operar a máquina surgem no dispositivo de pulverização forças de recuo e além disso, em caso de cano de pulverização curvo, um torque. Por isso o dispositivo de pulverização deve ser segurado firmemente com as duas mãos.
- O objecto a ser limpo deve ser inspeccionado para verificar se, ao ser limpo, se soltam dele substâncias perigosas e passadas ao meio ambiente, por ex. asbesto, óleo.
- Componentes sensíveis, de borracha, pano, etc., não devem ser limpos com o jacto de secção circular. Ao realizar a limpeza, certifique-se de manter uma distância adequada entre a tubeira de alta pressão e a superfície a ser limpa, afim de evitar danos nesta superfície.
- Never operate the cleaner without water. Even brief shortages of water result in severe damage to the pump seals.
- Qualquer modo de trabalhar que comprometa a segurança deve ser evitado.
- Não apertar a abertura do manípulo disparador.

## 2 Descrição

### Elementos de comando

- |   |   |
|---|---|
| 1. Pistola de pulverização                    | admissão de água                                      |
| 2. Linha de conexão eléctrica                 | 8. Fornecimento de água para o enrolador de mangueira |
| 3. Tubo de pulverização                       | 9. Interruptor principal                              |
| 4. Dispositivo de fixação para ligação à rede | 10. Dosagem produto de limpeza                        |
| 5. Tanque do agente de limpeza                | 11. Arco de empuxo                                    |
| 6. Suporte do tubo de pulverização            | 12. Tambor para mangueira <sup>1)</sup>               |
| 7. Conexão de água e Filtro de                | 13. Conexão da mangueira de alta pressão              |



**Instruções para utilização**

Antes de colocar o aparelho em operação é necessário ler este documento e tê-lo sempre à mão.

A operação da máquina está condicionada às respectivas disposições nacionais.

Além do manual de instruções e das normas vinculativas de prevenção de acidentes, válidas no país onde a máquina é utilizada, devem ser observadas também as normas técnicas usuais para garantir um trabalho seguro e eficiente.

**Utilização**

Esta máquina de limpeza de alta pressão destina-se à utilização profissional, podendo ser utilizada para limpar equipamento agrícola e de construção, estábulos, veículos, superfícies enferrujadas, etc.

A máquina de limpeza não foi aprovada para ser utilizada em superfícies que entrem em contacto com alimentos.

Qualquer outro tipo de utilização será considerada uma utilização inadequada. Danos daí resultantes não são de responsabilidade do fabricante. A utilização adequada inclui também a observância e o cumprimento de condições de funcionamento, manutenção e reparo estabelecidas e indicadas pelo fabricante.

**Apoio adicional**

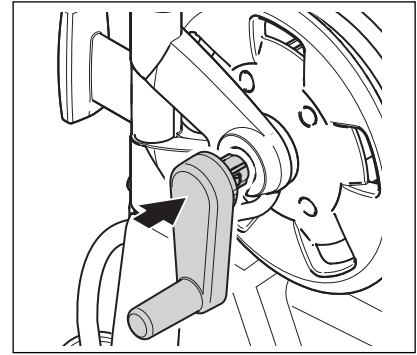
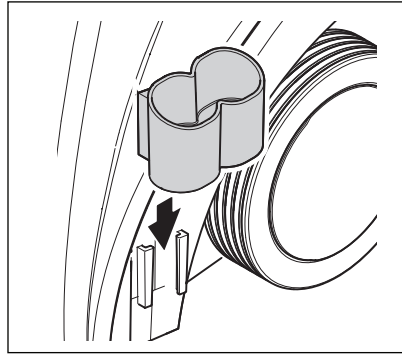
Para outras questões queira contactar o serviço de assistência ao cliente GRACO responsável pelo seu país.

**Antes do uso**

Antes de ligar a sua máquina verifique cuidadosamente se não apresenta defeitos.

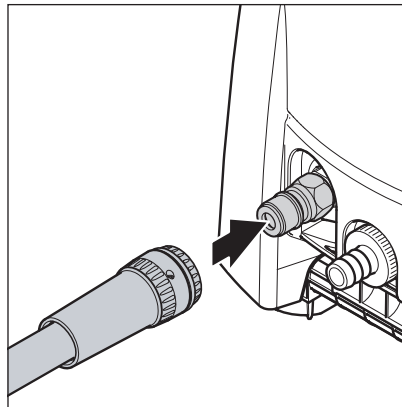
### 3 Antes da colocação em funcionamento

#### Instalação

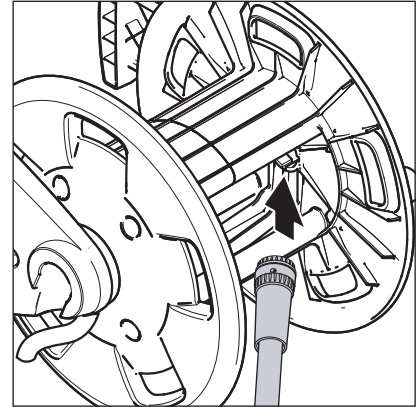


#### Conectar a mangueira de alta pressão

Aparelhos sem tambor para mangueiras.

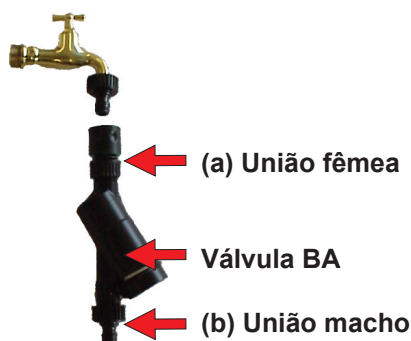


Aparelhos com tambor para mangueiras.





## Válvula BA



Esta máquina de lavagem/limpeza de alta pressão só poderá ser ligada à rede de água potável quando tiver sido instalado um dispositivo anti-retorno apropriado, Tipo BA, em conformidade com a norma EN 1717.

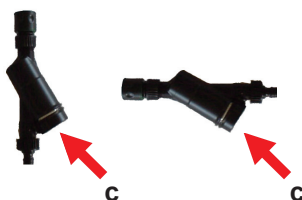
A válvula BA pode ser encomendada indicando o número:

- Válvula BA, incluindo uniões GARDENA: 106411177
- Válvula BA, incluindo uniões NITO: 106411178
- Válvula BA, incluindo uniões GEKA: 106411179
- Válvula BA sem uniões: 106411184

As uniões podem ser encomendadas indicando o número:

- GARDENA de 3/4" (a): 32541
- GARDENA de 3/4" (b): 1608629
- NITO de 3/4" (a): 1602945
- NITO de 3/4" (b): 1600659
- NITO de 1/2" (b): 1604669
- GEKA de 3/4" (a): 1718
- GEKA de 3/4" (b): 1311

## Guia de instalação



1. Monte uma união macho na torneira da água.
2. Ligue (a) na válvula BA à torneira da água.
3. Monte uma união fêmea na mangueira de entrada de água.
4. Ligue (b) na válvula BA à mangueira de entrada de água.
5. Ligue a mangueira de entrada de água à máquina de lavagem de alta pressão.
6. Ligue a água e ponha a máquina a funcionar.

## CUIDADO

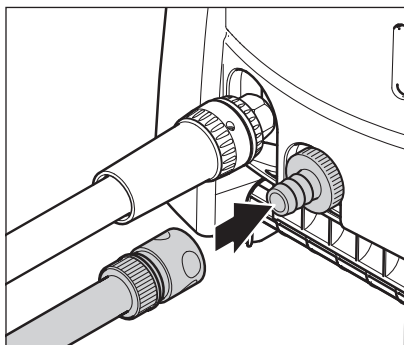
- O dispositivo anti-retorno pode ser montado na vertical ou na horizontal e a abertura de drenagem (c) deve ser montada a apontar para baixo.
- O fluxo de água da abertura de drenagem (c) deve ocorrer sem obstruções.
- Se existir o risco de areias movediças na água de entrada (por exemplo, do seu poço), deve ser montado um filtro adicional entre a torneira da água e o dispositivo anti-retorno.
- O comprimento da mangueira entre o dispositivo anti-retorno e a máquina de lavagem de alta pressão deverá ser, no mínimo, de 6 metros (diâmetro mín. de 3/4 polegadas) de forma a absorver possíveis picos de pressão.
- A água deixa de ser considerada potável, a partir do momento que começa a circular pela válvula BA.
- Proteja o dispositivo anti-retorno contra qualquer exposição a congelação.
- Mantenha o dispositivo anti-retorno limpo e livre de sujidade.

## Manutenção

Pelo menos uma vez por ano, verifique o funcionamento da seguinte forma:

1. Depois de utilizar, desligue a máquina de limpeza a alta pressão.
2. Feche a válvula da torneira da água.
3. Liberte a pressão da água da mangueira de fornecimento apertando o gatilho da pistola pulverizadora.
4. Desmonte o dispositivo anti-retorno. A água deve sair pela abertura de drenagem (c) (máx. 100 ml) para garantir a separação da água potável.
5. Se não for este o caso, tente limpar a válvula BA ou contacte o seu representante GRACO.

## Conectar a mangueira de água



1. Antes de realizar a conexão, enxaguar a mangueira de água brevemente com água, para evitar que areia e outras partículas de sujeira entrem no aparelho.
2. Conectar a mangueira de água com acoplamento rápido no ponto de conexão de água.
3. Abrir a torneira de água.

### CUIDADO

- Caso a qualidade da água não seja boa (areia movediça, etc.), montar um filtro fino de água no abastecimento de água.
- Ao conectar o aparelho, utilizar uma mangueira de água com reforço têxtil, e uma largura nominal de pelo menos 3/4" (19 mm).

## Conexão eléctrica



No caso de aparelhos com comutação de tensão<sup>1)</sup> é imprescindível certificar-se de que foi ajustada a tensão de rede correcta junto ao aparelho, antes de colocar a ficha de rede na tomada de corrente. Caso contrário, componentes eléctricos do aparelho podem ser destruídos.

### CUIDADO

- A máquina apenas pode ser ligada a uma instalação com ligação à terra..
- A instalação eléctrica deve ser efectuada por um electricista devidamente habilitado.
- De acordo com a IEC- 60364-1, recomendamos vivamente que a alimentação eléctrica para esta máquina inclua um dispositivo de corrente residual (GFCI)
- Não danificar o fio de conexão à rede eléctrica (por ex. passando por cima, puxando, amassando).
- Retirar o fio de conexão à rede apenas directamente na ficha da tomada da rede (não puxando, arrastando o fio de conexão).

## Extensões

Só utilizar como extensão o modelo indicado pelo fabricante ou um de qualidade superior.

Utilizando um cabo de extensão, ter em consideração a secção mínima do cabo:

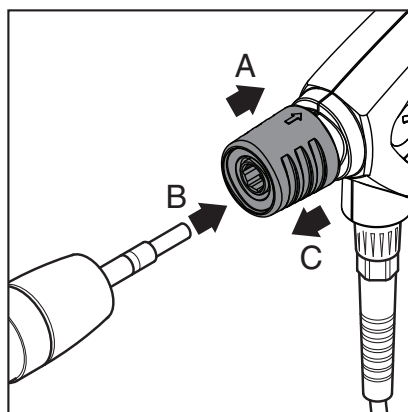
Comprimento do cabo	Secção	
	< 16 A	< 25 A
até 20 m	1.5 mm <sup>2</sup>	2.5 mm <sup>2</sup>
20 a 50 m	2.5 mm <sup>2</sup>	4.0 mm <sup>2</sup>

### CUIDADO

- Ao utilizar tambores para cabos: Devido a sobreaquecimento e perigo de incêndio, desenrolar sempre o cabo de conexão completo.
- As ligações dos cabos não devem estar no chão, devendo ser mantidas secas.

## 4 Comando / Funcionamento

Conectar o tubo de pulverização na pistola de pulverização

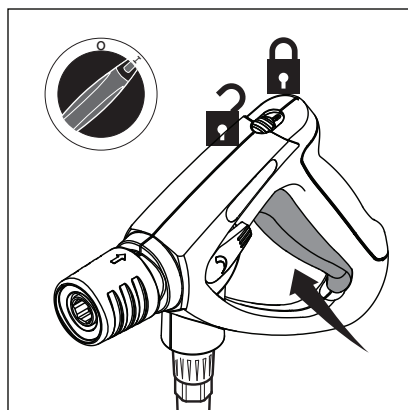


1. Puxe para trás o manípulo de desengate rápido azul (A) da pistola pulverizadora.
2. Insira o bocal da lança pulverizadora (B) na ligação de desengate rápido e retire-o.
3. Puxe a lanca pulverizadora (ou outro acessório) para a frente para se verificar se está devidamente presa à pistola pulverizadora.

### CUIDADO

Sempre limpar o niple de eventuais partículas de sujidade antes de conextar o tubo de pulverização e a pistola de pulverização.

Ligar o aparelho em caso de conexão a uma canalização de água

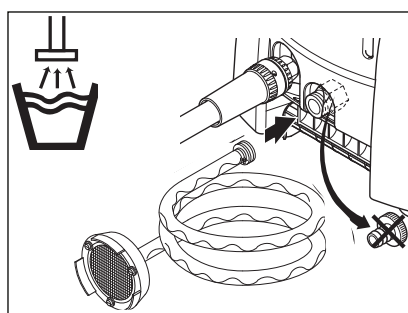


1. Colocar o interruptor principal na posição "I".
2. Destruvar e utilizar a pistola de pulverização.
3. Accionar a trava de segurança mesmo para interrupções breves de trabalho.

### CUIDADO

Afim de evacuar o sistema, accionar a pistola de pulverização seguidas vezes em breves intervalos.

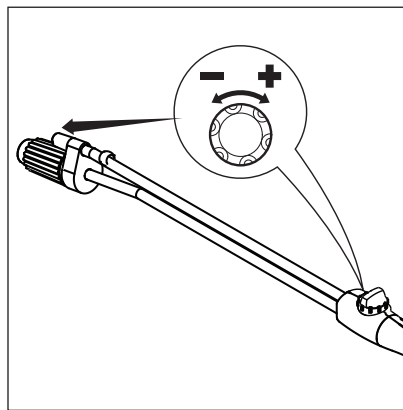
Ligar o aparelho em caso de conexão a recipientes abertos (funcionamento por aspiração)



1. Encher o jogo de aspiração GRACO com água antes de conectá-lo ao aparelho.
2. Colocar o interruptor principal na posição "I".
3. Destruvar e utilizar a pistola de pulverização.

Altura máx. de aspiração (Cheio) = 1 m.

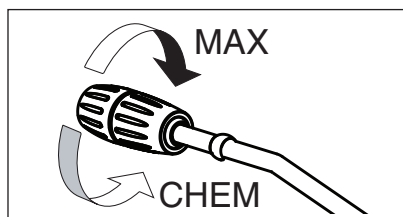
**Regulação da pressão com a lança Powerspeed Vario Plus**



Girar o botão giratório do dispositivo de pulverização:

- alta pressão = no sentido horário (+)
- baixa pressão = no sentido anti-horário (-)

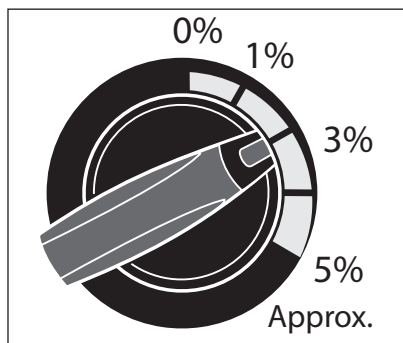
**Regulação de pressão da tubeira FlexoPower Plus**



Girar a bucha da tubeira FlexoPower Plus:

- Alta pressão = MAX.
- Baixa pressão = MIN.(CHEM)

**Emprego de produtos de limpeza**



pressão:

Os produtos de limpeza somente podem ser aspirados pelos injectores instalados em série no modo de funcionamento em baixa

1. Pré-diluir os produtos de limpeza conforme as indicações do fabricante.
2. Defina a regulação da pressão para uma pressão baixa.
3. Ajustar a quantidade pretendida de produto de limpeza girando a válvula de dosagem.
4. Colocar o interruptor principal na posição "I".
5. Accionar a pistola de pulverização.

**CUIDADO**

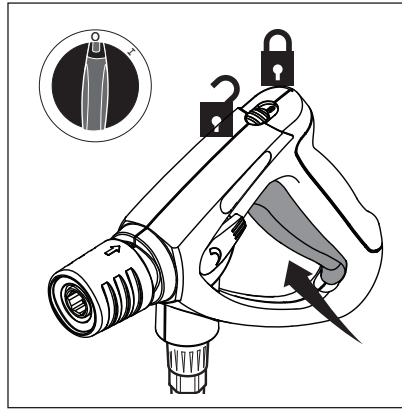
Produtos de limpeza não devem secar sobre a superfície a ser limpa. Caso contrário, esta pode ser danificada.

# 5 Áreas de emprego e métodos de trabalho

<b>Instruções gerais</b>	Para a limpeza de alta pressão ser eficaz, é necessária a observação de algumas directrizes em combinação com a sua própria experiência em áreas especiais. Os acessórios e agentes de limpeza podem, se correctamente aplicados, reforçar o efeito da limpeza. Seguem-se algumas instruções básicas.
<b>Maceração</b>	Sujidade incrustada e formando camadas espessas pode ser solta ou amolecida macerando o objecto durante algum tempo. Um método ideal, sobretudo na agricultura – por exemplo, em pocilgas. O melhor efeito é obtido através da utilização de detergentes alcalinos e que produzem espuma. Pulverizar a superfície com solução de agente de limpeza e deixar actuar 30 minutos. Depois disso, a limpeza com o jacto de alta pressão é muito mais fácil.
<b>Aplicar agente de limpeza e espuma</b>	O agente de limpeza e a espuma devem ser pulverizados sobre a superfície seca, para o agente de limpeza poder entrar em contacto com a sujidade sem ter que ser diluído. Em superfícies verticais, trabalhar de baixo para cima, de maneira a evitar estrias quando a solução de agente de limpeza escorre. Deixar actuar alguns minutos antes de limpar com o jacto de alta pressão. Não deixar o agente de limpeza secar.
<b>Temperatura</b>	O efeito da limpeza é maior com temperaturas elevadas. Sobretudo gorduras e óleos soltam-se com maior facilidade e rapidez. As proteínas soltam-se melhor com temperaturas de cerca de 60° C, os óleos e as gorduras com 70° a 90° C.
<b>Efeito mecânico</b>	Para soltar camadas espessas de sujidade, é necessário um efeito mecânico adicional. Canos de pulverização especiais e escovas de lavagem (rotativas) são ideais para soltar camadas de sujidade.
<b>Grande potência de água e alta pressão</b>	A alta pressão nem sempre é a melhor solução e uma pressão demasiado alta pode danificar superfícies. O efeito de limpeza depende, pois, também da potência da água. Uma pressão de 100 bar é suficiente para a limpeza de veículos (em combinação com água quente). Uma maior potência de água permite enxaguar e transporta a sujidade solta.

## 6 Depois do trabalho pronto

### Desligar o aparelho



1. Desligar o interruptor principal, colocar o interruptor na posição „OFF“.
2. Fechar a torneira de água.
3. Accionar a pistola de pulverização, até que o aparelho esteja sem pressão.
4. Accionar a trava de segurança da pistola de pulverização.

### Enrolar as linhas de conexão e a mangueira de alta pressão e guardar os acessórios

1. Enrolar a linha de conexão.
2. Enrolar a mangueira de pressão.
3. Colocar a tubeira de pulverização e os acessórios nos seus suportes.

#### CUIDADO

Risco de tropeçamento. Para evitar acidentes, enrole sempre cuidadosamente o cabo eléctrico e a mangueira.

### Armazenamento

Armazenar o aparelho seco e de modo a estar protegido contra congelação.

### Guardar a máquina (armazenamento a salvo de temperaturas negativas)

Caso o aparelho de limpeza de alta pressão seja guardado em um recinto com temperaturas em torno ou abaixo de 0°C, é necessário aspirar anteriormente um produto anticongelante pela bomba:

1. Desconectar a mangueira de abastecimento de água do aparelho.
2. Retirar o tubo de pulverização.
3. Ligar o aparelho, posição do interruptor "I".
4. Ligue uma mangueira de aspiração curta à entrada de água da máquina de limpeza e coloque a outra extremidade num depósito com anticongelante.
5. Ligar o aparelho, posição do interruptor "I".
6. Segurar a pistola de pulverização sobre o recipiente com o produto anticongelante e acioná-la, afim de dar início ao processo de aspiração.
7. Acionar a pistola de pulverização por 2 a 3 vezes, durante o processo de aspiração.
8. Tirar a mangueira de aspiração do recipiente com o produto anticongelante e acionar a pistola de pulverização, afim de extrair com a bomba o produto anticongelante restante.
9. Desligar o aparelho.

#### CUIDADO

- Afim de evitar qualquer risco, recomenda-se que o aparelho seja mantido em um armazém intermediário aquecido antes de retomá-lo em funcionamento.
- Nunca lique uma máquina congelada.

# 7 Eliminar falhas

Falha	Motivo	Eliminação
Queda de pressão	<ul style="list-style-type: none"> <li>Ar no sistema</li> <li>Tubeira-HD entupida/desgas-tada</li> <li>Tanque de produto de limpeza vazio</li> </ul>	<ul style="list-style-type: none"> <li>Tirar ar do sistema, para tanto, acionar repetidas vezes em breves intervalos, caso necessário pôr a máquina em funcionamento, por um curto intervalo, sem que a man-gueira de alta pressão esteja conectada.</li> <li>Limpar/trocar a tubeira-HD</li> <li>Encher o tanque de produto de limpeza ou colocar a válvula de dosagem na posição "0".</li> </ul>
Oscilação de pressão	<ul style="list-style-type: none"> <li>A bomba aspira ar (somente possível no modo de funciona-mento de aspiração)</li> <li>Falta água</li> <li>Mangueira de alimentação de água muito comprida, ou ainda, diâmetro insuficiente</li> <li>Falta água devido a filtro de água entupido</li> <li>Falta água devido à inob-servância da altura máx. per-mitida de aspiração</li> </ul>	<ul style="list-style-type: none"> <li>Verificar a estanquidade do set de aspiração</li> <li>Abrir a torneira de água</li> <li>Empregar a mangueira de alimentação de água reco-mendada</li> <li>Limpar o filtro de água na conexão de água (nunca tra-balhar sem filtro de água!)</li> <li>Veja tomada em funciona-mento</li> </ul>
Ao ligar, o motor não arranca	<ul style="list-style-type: none"> <li>Conector não está colocado corretamente, interrupção da corrente eléctrica</li> <li>Cortacircuito da rede está des-ligado</li> </ul>	<ul style="list-style-type: none"> <li>Verificar conector de cor-rente, conduto e interruptor e, caso necessário, cuidar que um electricista especializado efetue uma troca</li> <li>Ligar o cortacircuito de rede</li> </ul>
Ao ligar o motor este faz um barulho de zumbido, e não arranca	<ul style="list-style-type: none"> <li>Tensão de corrente é insufi-ciente, ou queda de fase</li> <li>A bomba está bloqueada ou congelada</li> <li>Diâmetro incorreto ou compri-mento incorreto do cabo de extensão</li> </ul>	<ul style="list-style-type: none"> <li>Pode ter ocorrido queda de fase; mandar verificar a con-exção eléctrica</li> <li>Entrar em contacto com Alto Service</li> <li>Usar o cabo de extensão com o diâmetro ou comprimento correto</li> </ul>
Motor se desliga	<ul style="list-style-type: none"> <li>Proteção contra sobrecargas disparou por sobreaquecimen-to ou sobrecarga do motor</li> <li>Tubeira de alta pressão está suja</li> </ul>	<ul style="list-style-type: none"> <li>Mandar verificar se atensão do aparelho e atensão da cor-rentealimentadora estão dea-cordo. Desligar e esperar pelo menos 3 minutos para esfriar.</li> <li>Trocar o difusor</li> </ul>
Produtos de limpeza não surtem efeito	<ul style="list-style-type: none"> <li>Injetor está sujo ou mangueira de aspiração está entupida</li> <li>Recipiente de produto de lim-peza está vazio</li> <li>Botão giratório do tubo de pul-verização não está ajustado em pressão baixa</li> </ul>	<ul style="list-style-type: none"> <li>Limpar</li> <li>Completar o recipiente de produto de limpeza</li> <li>Girar o botão giratório do tubo de pulverização no sentido antihorário até o final</li> </ul>

## 8 Outros

### Transporte

Afim de garantir o transporte seguro em e sobre veículos, recomendamos que o aparelho seja fixado de modo a não poder tombar ou escorregar.

Transporte na posição deitada:

- o aparelho não deve ser virado para o lado onde se encontram as conexões.
- retirar a mangueira de aspiração do tanque de limpeza central e fechar o tanque com a tampa fornecida.
- antes que o aparelho seja ligado, certificar-se de que o óleo do recipiente de recolha de óleo tenha retornado para a carcaça da bomba. Verificar o nível de óleo, caso necessário completar o óleo.

Caso o aparelho e seus acessórios sejam transportados a temperaturas em torno de 0°C, ou a temperaturas negativas, recomendamos o emprego de agentes de protecção contra temperaturas negativas, conforme descrito no capítulo 5.

### Reparação e manutenção

Retire sempre a fi cha eléctrica da tomada antes de iniciar qualquer trabalho de manutenção da máquina.

### Enviar o aparelho para reciclagem

O aparelho gasto deve ser imediatamente inutilizado.

1. Tirar a fi cha de ligação à rede da tomada.
2. Cortar o cabo de conexão eléctrica.
3. Não juntar aparelhos eléctricos ao lixo doméstico!



Segundo a directiva europeia 2002/96/CE sobre aparelhos eléctricos e electrónicos usados, estes têm que ser recolhidos em separado e enviados para reciclagem ecológica.

Em caso de dúvidas, contactar a administração camarária ou o revendedor mais próximo.

### Garantia

No tocante à garantia e à responsabilidade, valem as nossas condições gerais de venda e fornecimento.

Reservamo-nos o direito a alterações em função de avanços técnicos.



## Atestado de conformidade da UE



# EC-DECLARATION OF CONFORMITY

EG-VERKLARING VAN OVEREENSTEMMING, DÉCLARATION DE CONFORMITÉ CE, EG-KONFORMITÄTSEKTLÄRUNG, DICHIARAZIONE DI CONFORMITÀ CE, EF-OVERENSSTEMMELSESEKTLÆRING, ΕΚ-ΔΗΛΩΣΗ ΣΥΜΜΟΡΦΩΣΗΣ, DECLARAÇÃO DE CONFORMIDADE - CE, DECLARACIÓN DE CONFORMIDAD DE LA CE, EY-VAATIMUSTENMUKAISUUSVAKUUTUS, EG-DEKLARATION OM ÖVERENSSTÄMMELSE, ES PROHLÁŠENÍ O SHODĚ, EÜ VASTAVUSDEKLARATSIOON, EC MEGFEJELŐSÉGI NYILATKOZAT, EK ATBILSTĪBAS DEKLARĀCIJA, ES ATITIKTIES DEKLARĀCIJA, DEKLARACJA ZGODNOŚCI UE, DIKJARAZZJONI-KE TA' KONFORMITA', IZJAVA ES O SKLADNOSTI, ES - VYHLÁŠENIE O ZHODE, EO-ДЕКЛАРАЦИЯ ЗА СЪВМЕСТИМОСТ, DEIMHNIÚ COMHRÉIREACHTA CE, CE-DECLARAȚIE DE CONFORMITATE

## Model

Modèle, Modell, Modello, Μοντέλο,  
Modelo, Malli, Mudel, Modelis, Mudell, Модел, Samhail

AquaMax 2330E, 2335E

## Part

Bestelnr., Type, Teil, Codice, Del, Μέρος, Peça,  
Referencia, Osa, Součást, Részegység, Daja, Dalis,  
Część, Taqsim, Čast, Част, Part, Parte

287428, 287429

## Complies With The EC Directives:

Voldoet aan de EG-richtlijnen, Conforme aux directives CE, Entspricht den EG-Richtlinien, Conforme alle direttive CE, Overholder EF-direktiverne, Σύμφωνα με τις Οδηγίες της ΕΚ, Em conformidade com as Directivas CE, Cumple las directivas de la CE, Täyttää EY-direktiivien vaatimukset, Uppfyller EG-direktiven, Shoda se směrnicemi ES, Vastab EÜ direktiividele, Kielegítii az EK irányelvek követelményeit, Atbilst EK direktīvām, Atitinka šias ES direktyvas, Zgodność z Dyrektywami UE, Konformi mad-Direttivi tal-KE, V skladu z direktivami ES, Je v súlade so smernicami ES, Съвместимост с Директиви на ЕО, Tá ag teacht le Treoracha an CE, Respectá directivele CE

2006/42/EC Machine Directive

2006/95/EC Low Voltage Directive

2004/108/EC EMC Directive

## Standards Used:

Gebruikte maatstaven, Normes respectées, Verwendete Normen, Norme applicate, Anvendte standarder, Πρότυπα που χρησιμοποιήθηκαν, Normas utilizadas, Normas aplicadas, Sovellettavat standardit, Tillämpade standarder, Použité normy, Rakendatud standardid, Alkalmazott szabványok, Izmantotie standarti, Taikyti standartai, Užyte normy, Standards Uzati, Uporabljeni standardi, Použité normy, Използвани стандарти, Caighdeáin arna n-úsáid, Standarde utilizate

EN 12100, EN 60335-2-79, EN 55014-1, EN 55014-2, EN 61000-3-2, DIN EN 60335-2-79

## Notified Body for Directive

Aangemelde instantie voor richtlijn, Organisme notifié pour la directive, Benannte Stelle für diese Richtlinie, Ente certificatore della direttiva, Bemyndiget organ for direktiv, Διακοινωμένο όργανο Οδηγίας, Organismo notificado relativamente à directiva, Organismo notificado de la directiva, Direktiivien mukaisesti ilmoitettu tarkastuslaitos, Anmält organ för direktivet, Úředně oznámený orgán pro směrnici, Teavitatud asutus (direktiivi järgi), Az irányelvvvel kapcsolatban értesített testület, Pilnvarotā iestāde saskaņā ar direktīvu, Apie direktīvu Informuota institūcija, Ciało powiadomione dla Dyrektywy, Korp avzat bid-Direttiva, Priglašeni organ za direktivo, Notifikovaný orgán pre smernicu, Нотифициран орган за Директива, Comhlacht ar tugadh fógra dó, Organism notificat în conformitate cu directiva

--	--	--	--

## Approved By:

Goedgekeurd door, Approuvé par, Genehmigt von, Approvato da, Godkendt af, Έγκριση από, Aprovado por, Aprobado por, Hyväksynyt, Intygas av, Schwäilit, Kinnitanud, Jóváhagyta, Apstiprināts, Patvirtino, Zatwierdzone przez, Approvat minn, Odobril, Schválené, Одобрено от, Фаола аг, Aprobat de

**Hans van Cranenbroek**

**Manufacturing, Engineering and Warehousing Manager**

10 JANUARY 2011

### Manufactured By:

**GRACO INC.**  
88 - 11<sup>th</sup> Avenue N.E.  
Minneapolis, MN 55413  
USA


















### Authorized Representative:

**GRACO N.V.**  
Slakweidestraat 31  
3630 Maasmechelen  
BELGIUM

**199382**

**A**

## Dados técnicos

		AquaMax 2330E	AquaMax 2335E
	V/Ph/Hz	230/1/50	400/3/50
	A	16	10
	kW	3.3	4.2
<b>I</b>	A	15	7.6
		IP X5	IP X5
	bar/MPa	160/16	160/16
	bar/MPa	200/20	200/20
	l/h	560	700
	l/h	620	760
<b>Cleaning Impact</b>	kg/Force	3.0	3.6
		0350	0475
	°C	50	50
	bar / MPa	10/1	10/1
	mm	450 x 380 x 1040	450 x 380 x 1040
	kg	40.4	40.4
 <b>EN 60704-1</b>	dB(A)	74.6	75
 <b>L<sub>WA</sub></b>	dB(A)	87.9	90
<b>Vibration ISO 5349</b>	m/s <sup>2</sup>	< 2.5	< 2.5
<b>Recoil forces</b>	N	28	35
	l	0.225	0.225
 <b>TYPE</b>	Agip Rotra 80W-90		

## Garantia Standard da Graco

A Graco garante que todo o equipamento referenciado no presente documento, manufacturado pela Graco e ostentando o seu nome, está isento de defeitos de material e acabamento na data da venda para utilização ao comprador original. Com excepção de qualquer garantia especial, prorrogada ou limitada publicada pela Graco, esta irá, durante um período de doze meses a contar da data de venda, reparar ou substituir qualquer peça de equipamento que a Graco considere defeituosa. Esta garantia apenas se aplica quando o equipamento for instalado, operado e mantido em conformidade com as recomendações escritas da Graco.

Esta garantia não cobre e a Graco não será responsável pelo desgaste normal, nem por qualquer avaria, dano ou desgaste causados por uma instalação incorrecta, utilização indevida, desgaste por atrito, corrosão, manutenção inadequada ou indevida, negligência, acidente, alteração ilegal ou substituição por componentes de terceiros. Nem a Graco será responsável por mau funcionamento, danos ou desgaste causados pela incompatibilidade do equipamento Graco com estruturas, acessórios, equipamento ou materiais não fornecidos pela Graco, nem pela concepção, manufactura, instalação, operação ou manutenção inadequadas de estruturas, acessórios, equipamento ou materiais não fornecidos pela Graco.

Esta garantia está condicionada pela devolução paga previamente do equipamento alegadamente defeituoso a um distribuidor Graco autorizado para verificação do alegado defeito. Caso o alegado defeito seja confirmado, a Graco irá reparar ou substituir gratuitamente quaisquer peças defeituosas. O equipamento será devolvido à origem, sendo as despesas de transporte reembolsadas. Caso a inspecção do equipamento não confirme qualquer defeito em material ou acabamento, a reparação será executada por um preço aceitável, que pode incluir o custo das peças, da mão-de-obra e do transporte.

**ESTA GARANTIA É EXCLUSIVA E SUBSTITUI QUAISQUER OUTRAS GARANTIAS, EXPRESSAS OU IMPLÍCITAS, INCLUINDO, MAS NÃO LIMITADAS À GARANTIA DE QUE O PRODUTO SIRVA PARA O USO A QUE SE DESTINA OU GARANTIA DE ADEQUAÇÃO A DETERMINADO FIM.**

A obrigação única da Graco e a possibilidade de recurso do comprador pela quebra de qualquer garantia, deverão ser as seguintes. O comprador concorda não haver disponível qualquer outro recurso (incluindo, mas não se limitando a, danos supervenientes ou indirectos por perda de lucros, perda de vendas, lesão pessoal ou danos de propriedade, ou qualquer outra perda superveniente ou indirecta). Qualquer acção no sentido de invocar a garantia deverá ser apresentada dois (2) anos a partir da data de aquisição.

**A GRACO NÃO FORNECE QUALQUER GARANTIA E NEGA QUAISQUER GARANTIAS IMPLÍCITAS DE QUE O PRODUTO SIRVA PARA O USO A QUE SE DESTINA, DE ADEQUAÇÃO A DETERMINADO FIM RELATIVAMENTE A ACESSÓRIOS, EQUIPAMENTO, MATERIAIS OU COMPONENTES COMERCIALIZADOS MAS NÃO FABRICADOS PELA GRACO.** Os artigos vendidos, mas não manufacturados pela Graco (como motores eléctricos, interruptores, tubos, etc.), são sujeitos à garantia, caso exista, do seu fabricante. A Graco prestará ao comprador auxílio aceitável para alegação de quebra de qualquer destas garantias.

Em nenhuma circunstância a Graco será responsabilizada por prejuízos indirectos, acidentais, especiais ou consequentes, resultantes do equipamento indicado fornecido pela Graco, nem pelo fornecimento, desempenho ou utilização de quaisquer produtos ou artigos incluídos, quer devido a uma violação do contrato e da garantia, quer por negligência da Graco ou outros motivos.

**Graco reserves the right to make changes at any time without notice.**

**Tradução do Manual de Instruções original. This manual contains Portuguese. MM 3A1490**

**Graco Headquarters: Minneapolis**

**International Offices: Belgium, China, Japan, Korea**

**GRACO INC. P.O. BOX 1441 MINNEAPOLIS, MN 55440-1441**

**www.graco.com**

# Περιεχόμενα

<b>1</b>	<b>Σημαντικές υποδείξεις ασφάλειας .....</b>	<b>191</b>
	<i>Σήμανση υποδείξεων .....</i>	191
	<i>Προειδοποιήσεις .....</i>	191
<b>2</b>	<b>Περιγραφή.....</b>	<b>193</b>
	<i>Στοιχεία χειρισμού .....</i>	193
	<i>Οδηγίες χρήσης .....</i>	194
	<i>Χρήση για την οποία προορίζεται.....</i>	194
	<i>Περαιτέρω υποστήριξη.....</i>	194
	<i>Πριν τη χρήση .....</i>	194
<b>3</b>	<b>Πριν από τη θέση σε λειτουργία .....</b>	<b>195</b>
	<i>Εγκατάσταση.....</i>	195
	<i>Σύνδεση σωλήνα υψηλής πίεσης.....</i>	195
	<i>Βαλβίδα ΒΑ.....</i>	196
	<i>Συντήρηση .....</i>	196
	<i>Σύνδεση σωλήνα νερού .....</i>	197
	<i>Ηλεκτρική σύνδεση .....</i>	197
	<i>Καλώδια επιμήκυνσης.....</i>	197
<b>4</b>	<b>Χειρισμός / λειτουργία .....</b>	<b>198</b>
	<i>Σύνδεση σωλήνα ψεκασμού στο πιστολέτο ψεκασμού .....</i>	198
	<i>Ενεργοποίηση συσκευής κατά τη σύνδεση σε αγωγό νερού.....</i>	198
	<i>Ενεργοποίηση συσκευής κατά τη σύνδεση σε ανοιχτό δοχείο (λειτουργία αναρρόφησης).....</i>	198
	<i>Ρύθμιση πίεσης με Powerspeed Vario Plus-Lanze .....</i>	199
	<i>Ρύθμιση πίεσης στο ακροφύσιο του FlexoPower Plus.....</i>	199
	<i>Χρήση απορρυπαντικών.....</i>	199
<b>5</b>	<b>Τομείς εφαρμογής και μέθοδοι εργασίας .....</b>	<b>200</b>
	<i>Γενικές υποδείξεις .....</i>	200
	<i>Μαλάκωμα .....</i>	200
	<i>Ψεκασμός μέσου καθαρισμού και αφρού.....</i>	200
	<i>Θερμοκρασία .....</i>	200
	<i>Μηχανική επίδραση .....</i>	200
	<i>Υψηλή παροχή νερού και υψηλή πίεση .....</i>	200
<b>6</b>	<b>Μετά την εργασία .....</b>	<b>201</b>
	<i>Απενεργοποίηση συσκευής .....</i>	201
	<i>Τύλιγμα αγωγού σύνδεσης και σωλήνα υψηλής πίεσης και στοίβαγμα εξαρτημάτων .....</i>	201
	<i>Αποθήκευση.....</i>	201
	<i>Αποθήκευση μηχανής (μακριά από παγετούς) .....</i>	201
<b>7</b>	<b>Αρση βλαβών .....</b>	<b>202</b>
<b>8</b>	<b>Διάφορα.....</b>	<b>203</b>
	<i>Μεταφορά .....</i>	203
	<i>Επισκευή και συντήρηση.....</i>	203
	<i>Ανακύκλωση μηχανής.....</i>	203
	<i>Εγγύηση.....</i>	203
	<i>Δήλωση ανταπόκρισης ΕΟΚ.....</i>	204
	<i>Τεχνικά στοιχεία .....</i>	205
	<i>Βασική Εγγύηση Graco.....</i>	206

# 1 Σημαντικές υποδείξεις ασφάλειας

## Σήμανση υποδείξεων

### ΚΙΝΔΥΝΟΣ

Κίνδυνος, ο οποίος προκαλεί άμεσα σοβαρούς και ανεπανόρθωτους τραυματισμούς ή και θάνατο.

### ΠΡΟΕΙΔΟΠΟΙΗΣΗ

Κίνδυνος, ο οποίος ενδέχεται να προκαλέσει σοβαρούς τραυματισμούς ή και θάνατο.

### ΠΡΟΣΟΧΗ

Κίνδυνος, ο οποίος ενδέχεται να προκαλέσει ελαφρούς τραυματισμούς ή υλικές ζημιές.

## Προειδοποιήσεις

### ΠΡΟΕΙΔΟΠΟΙΗΣΗ

- Πρέπει να αποφεύγεται κάθε επικίνδυνος τρόπος εργασίας.
- Δεν επιτρέπεται καμία τροποποίηση στα μηχανικά, ηλεκτρικά ή θερμικά εξαρτήματα ασφαλείας.
- Η συσκευή αυτή δεν προορίζεται για χρήση από παιδιά ή άτομα με μειωμένες σωματικές, αισθητήριες ή διανοητικές ικανότητες, ή έλλειψη εμπειρίας και γνώσεων, εκτός αν βρίσκονται υπό εποπτεία ή τους έχουν δοθεί οδηγίες.
- Στο μηχάνημα αυτό πρέπει να χρησιμοποιούνται μόνο χημικά καθαριστικά που παρέχονται ή συνιστώνται από τη GRACO. Η χρήση άλλων χημικών καθαριστικών ενδέχεται να επηρεάσει αρνητικά την ασφάλεια του μηχανήματος.
- Κίνδυνος έκρηξης – Μη χρησιμοποιείτε το μηχάνημα καθαρισμού για να ψεκάσετε με εύφλεκτα υγρά.



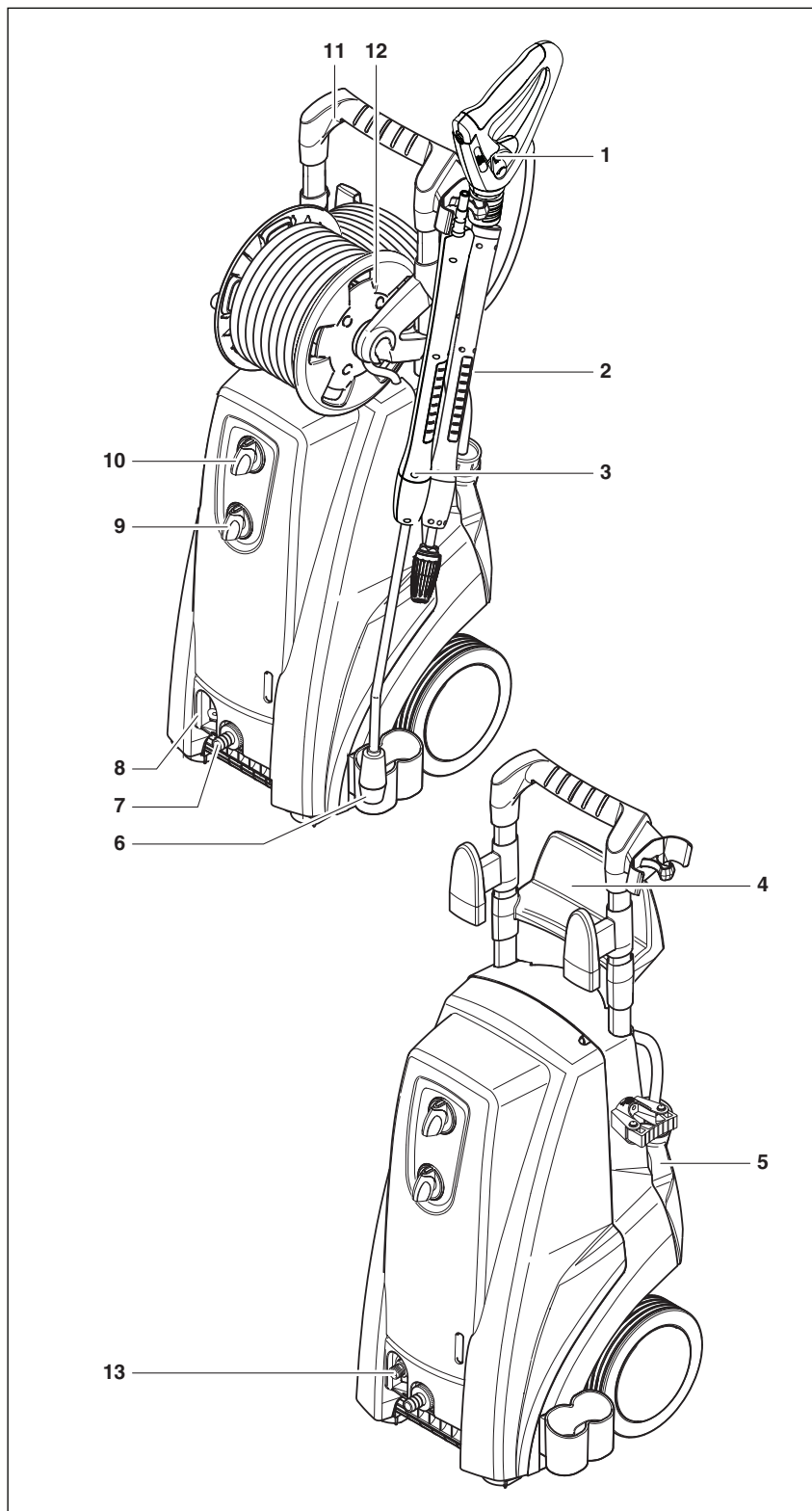
## ΠΡΟΣΟΧΗ

- Τα ρεύματα υψηλής πίεσης που εκτινάσσονται ενδέχεται να είναι επικίνδυνα. Μην στρέφετε ποτέ το ρεύμα νερού προς ανθρώπους, κατοικίδια, ηλεκτρικές συσκευές με ρεύμα ή προς το ίδιο το μηχάνημα.
- Μην επιχειρείτε ποτέ να καθαρίσετε ρούχα ή υποδήματα ενώ τα φοράτε εσείς ή άλλα άτομα.
- Ο χειριστής και κάθε άτομο που βρίσκεται κοντά στο σημείο καθαρισμού θα πρέπει να προσέχει ώστε να προστατευτεί από τυχόν απορρίμματα που εκτοπίζονται κατά τη διάρκεια της λειτουργίας. Θα πρέπει να φοράτε γυαλιά κατά τον χειρισμό του μηχανήματος.
- Μην καλύπτετε το μηχάνημα όταν αυτό βρίσκεται σε λειτουργία.
- Μην χρησιμοποιείτε ποτέ το μηχάνημα σε περιβάλλον όπου υπάρχει κίνδυνος έκρηξης. Σε περίπτωση που υπάρχουν αμφιβολίες, θα πρέπει να επικοινωνήσετε με τις τοπικές αρχές.
- Δεν επιτρέπεται ο καθαρισμός με χρήση υψηλής πίεσης σε επιφάνειες που περιέχουν αμίαντο.
- Αυτό το μηχάνημα πλύσης υψηλής πίεσης δεν πρέπει να χρησιμοποιείται σε θερμοκρασίες χαμηλότερες των 0°C
- Χρησιμοποιείτε μόνο το προτεινόμενο καύσιμο. Η χρήση ακατάλληλου καυσίμου είναι επικίνδυνη.
- Κατά τη λειτουργία της μηχανής παρουσιάζονται στο σύστημα ψεκασμού δυνάμεις ανάκρουσης, και σε περίπτωση που ο σωλήνας ψεκασμού έχει σχηματίσει γωνία, εμφανίζεται επιπρόσθετα και ροπή στρέψεως. Για το λόγο αυτό θα πρέπει να κρατάτε το σύστημα ψεκασμού σταθερά με τα δύο χέρια.
- Το αντικείμενο καθαρισμού πρέπει να ελέγχεται, αν κατά τη διαδικασία καθαρισμού ελευθερώνονται επικίνδυνες για το περιβάλλον ύλες, π.χ. αμίαντο, λάδια.
- Ευαίσθητα εξαρτήματα από λάστιχο, ύφασμα κ.λπ. δεν επιτρέπεται να καθαρίζονται με τη στρογγυλή ακτίνα ψεκασμού. Κατά το καθάρισμα πρέπει να φροντίζετε ώστε να υπάρχει αρκετή απόσταση μεταξύ ακροφυσίου υψηλής πίεσης και επιφάνειας, για να αποφεύγονται ζημιές στην επιφάνεια καθαρισμού.
- Μην λειτουργείτε τη μηχανή ποτέ χωρίς νερό. Ακόμα και βραχύχρονες ελλείψεις νερού προκαλούν σοβαρές ζημιές στα περιλαίμια της αντλίας.
- Πρέπει να αποφεύγεται κάθε επικίνδυνος τρόπος εργασίας.
- Μην φράσσετε τη λαβή της σκανδάλης.

## 2 Περιγραφή

### Στοιχεία χειρισμού

1. Πιστολέτο ψεκασμού
2. Καλώδιο ηλεκτρικής σύνδεσης
3. Σωλήνας ψεκασμού
4. Στήριγμα για καλώδιο σύνδεσης δικτύου
5. Δεξαμενή μέσου καθαρισμού
6. Στήριγμα σωλήνα ψεκασμού
7. Υποδοχή σύνδεσης νερού και φίλτρο εισόδου νερού
8. Παροχή νερού σε τυλικτήρα σωλήνα
9. Κεντρικός διακόπτης
10. Δοσολογία απορρυπαντικού
11. Λαβή οδήγησης
12. Καρούλι περιτύλιξης λάστιχου<sup>1)</sup>
13. Υποδοχή λάστιχου υψηλής πίεσης



<sup>1)</sup> Ειδικά εξαρτήματα ανάλογα με παραλλαγή μοντέλου  
 Αρχικό εγχειρίδιο οδηγιών

## Οδηγίες χρήσης



Πριν θέσετε σε λειτουργία τη συσκευή, διαβάστε οπωσδήποτε το έντυπο αυτό και διαφυλάξτε το σε προσιτό μέρος για μελλοντική χρήση.

Η χρήση της μηχανής υπόκειται στους ισχύοντες εθνικούς κανονισμούς. Παράλληλα με τις οδηγίες λειτουργίας και τους ισχύοντες και δεσμευτικούς κανονισμούς στη χώρα χρήσης για την πρόληψη ατυχημάτων, πρέπει να τηρούνται και οι αναγνωρισμένοι κανόνες ασφαλούς εργασίας.

## Χρήση για την οποία προορίζεται

Αυτό το μηχάνημα καθαρισμού υψηλής πίεσης έχει σχεδιαστεί για επαγγελματική χρήση. Μπορεί να χρησιμοποιηθεί για τον καθαρισμό αγροτικού και κατασκευαστικού εξοπλισμού, στάβλων, οχημάτων, σκουριασμένων επιφανειών κ.λπ.

Το μηχάνημα καθαρισμού δεν είναι κατάλληλο για τον καθαρισμό επιφανειών που έρχονται σε επαφή με τρόφιμα.

Κάθε άλλη χρήση της μηχανής θεωρείται ως μη προβλεπόμενη. Για βλάβες που οφείλονται σε μη προβλεπόμενη χρήση της μηχανής, δεν φέρει καμία ευθύνη ο κατασκευαστής. Στα πλαίσια της προβλεπόμενης χρήσης ανήκει και η τήρηση των όρων συντήρησης και λειτουργίας που προδιαγράφει ο κατασκευαστής.

## Περαιτέρω υποστήριξη

Για περαιτέρω ερωτήσεις απευθυνθείτε στην αρμόδια υπηρεσία Σέρβις GRACO της χώρας σας.

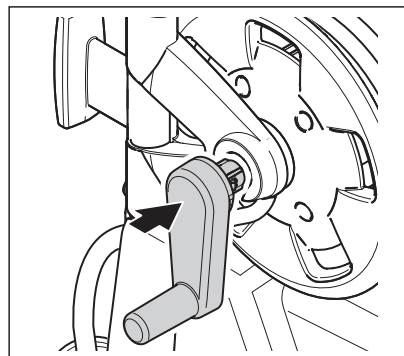
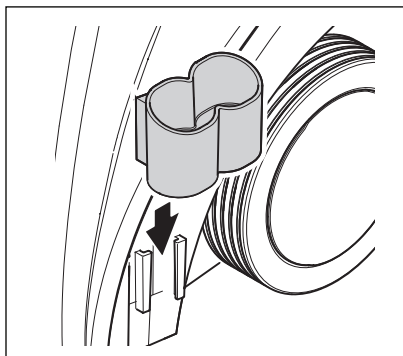
## Πριν τη χρήση

Παρακαλούμε ελέγξτε το προσεκτικά για τυχόν ελαττώματα. Σε περίπτωση που βρεθούν ελαττώματα, μην το χρησιμοποιήσετε και επικοινωνήστε με τον αντιπρόσωπο της GRACO.



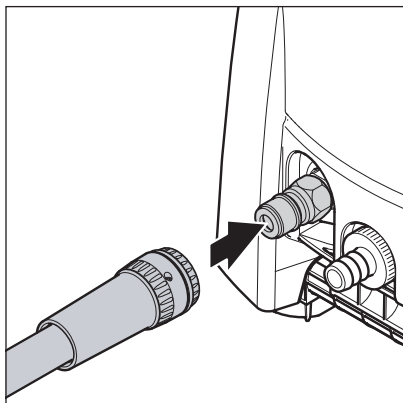
### 3 Πριν από τη θέση σε λειτουργία

#### Εγκατάσταση

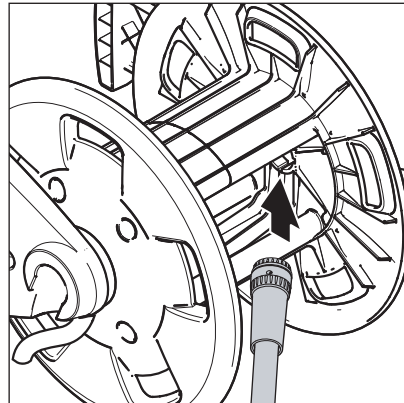


#### Σύνδεση σωλήνα υψηλής πίεσης

Συσκευές χωρίς καρούλι σωλήνα.



Συσκευές με καρούλι σωλήνα.



**Βαλβίδα BA**

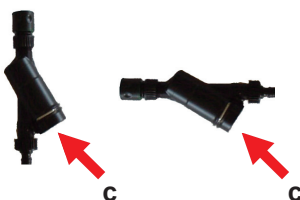
Αυτό το μηχάνημα πλυσίματος/καθαρισμού υψηλής πίεσης μπορεί να συνδεθεί με την παροχή πόσιμου νερού μόνο στις περιπτώσεις που έχει εγκατασταθεί η κατάλληλη βαλβίδα αποτροπής αντίστροφης ροής, τύπου BA σύμφωνα με το πρότυπο EN 1717.

Οι αριθμοί παραγγελίας της βαλβίδας BA είναι οι εξής:

- Βαλβίδα BA με συνδέσμους GARDENA: 106411177
- Βαλβίδα BA με συνδέσμους NITO: 106411178
- Βαλβίδα BA με συνδέσμους GEKA: 106411179
- Βαλβίδα BA χωρίς συνδέσμους: 106411184

Οι αριθμοί παραγγελίας των συνδέσμων είναι οι εξής:

- 3/4" GARDENA (a): 32541
- 3/4" GARDENA (b): 1608629
- 3/4" NITO (a): 1602945
- 3/4" NITO (b): 1600659
- 1/2" NITO (b): 1604669
- 3/4" GEKA (a): 1718
- 3/4" GEKA (b): 1311

**Οδηγός εγκατάστασης**

1. Τοποθετήστε έναν αρσενικό σύνδεσμο στη βάνα νερού.
2. Συνδέστε το θηλυκό σύνδεσμο (a) της βαλβίδας BA στη βάνα νερού.
3. Τοποθετήστε ένα θηλυκό σύνδεσμο στον εύκαμπτο σωλήνα εισαγωγής νερού.
4. Συνδέστε τον αρσενικό σύνδεσμο (b) της βαλβίδας BA στη βάνα νερού.
5. Συνδέστε τον εύκαμπτο σωλήνα εισαγωγής νερού στη συσκευή πλύσης υψηλής πίεσης.
6. Ανοίξτε την παροχή νερού και ενεργοποιήστε τη συσκευή.

**ΠΡΟΣΟΧΗ**

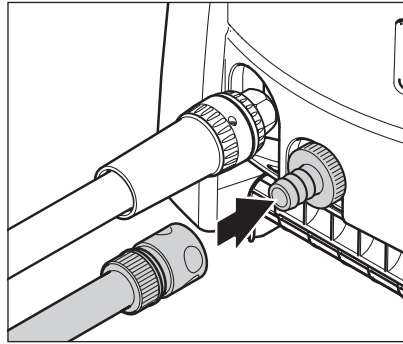
- Η βαλβίδα αποτροπής αντίστροφης ροής μπορεί να τοποθετηθεί είτε κάθετα ή οριζόντια, ενώ το στόμιο αποστράγγισης (c) πρέπει να είναι στραμμένο προς τα κάτω.
- Το νερό από το στόμιο αποστράγγισης (c) πρέπει να μπορεί να ρέει ελεύθερα.
- Εάν υπάρχει κίνδυνος εισαγωγής άμμου στον ελαστικό σωλήνα εισαγωγής νερού (δηλ. από δικό σας φρεάτιο), πρέπει να τοποθετηθεί επιπλέον φίλτρο ανάμεσα στη βάνα νερού και τη βαλβίδα αποτροπής αντίστροφης ροής.
- Το μήκος του εύκαμπτου σωλήνα ανάμεσα στη βαλβίδα αποτροπής αντίστροφης ροής και στο μηχάνημα πλυσίματος υψηλής πίεσης πρέπει να είναι τουλάχιστον 12 μέτρα (ελάχ. διάμετρος 20 χλστ.) για να απορροφά τις πιθανές αιχμές πίεσης.
- Από τη στιγμή που το νερό διέρχεται μέσα από τη βαλβίδα BA, δεν θεωρείται πλέον πόσιμο.
- Προστατεύστε τη βαλβίδα αποτροπής αντίστροφης ροής από έκθεση σε παγετό.
- Διατηρήστε τη βαλβίδα αποτροπής αντίστροφης ροής καθαρή.

**Συντήρηση**

Τουλάχιστον μία φορά το χρόνο, ελέγχετε τα ακόλουθα:

1. Μετά την χρήση, απενεργοποιήστε τη συσκευή καθαρισμού υψηλής πίεσης.
2. Κλείστε τη βαλβίδα της βάνας νερού.
3. Απελευθερώστε την πίεση νερού στον εύκαμπτο σωλήνα παροχής νερού ενεργοποιώντας το πιστολέτο ψεκασμού.
4. Αφαιρέστε τη βαλβίδα αποτροπής αντίστροφης ροής. Πρέπει να τρέξει νερό από το στόμιο αποστράγγισης (c) (μέγ. 100ml) προκειμένου να εξασφαλιστεί διαχωρισμός από το πόσιμο νερό.
5. Εάν αυτό δεν καταστεί δυνατόν, προσπαθήστε καθαρίζοντας τη βαλβίδα BA ή επικοινωνήστε με τον αντιπρόσωπο της GRACO.

## Σύνδεση σωλήνα νερού



1. Πριν συνδέσετε το λάστιχο νερού στη συσκευή, ξεπλύνετε το για λίγο με νερό, ώστε να μην εισέλθουν στη συσκευή άμμος και άλλα μόρια ακαθαρσιών.
2. Συνδέστε το λάστιχο υψηλής πίεσης με την ταχεία ζεύξη στην υποδοχή υψηλής πίεσης.
3. Ανοίξτε τη βάνα.

### ΠΡΟΣΟΧΗ

- Σε περίπτωση κακής ποιότητας νερού (αλλουβιακή άμμος) συνιστούμε την εγκατάσταση φίλτρου νερού στην είσοδο νερού.
- Συνιστούμε επίσης τη χρήση ενισχυμένου λάστιχου νερού με ονομαστικό εύρος τουλάχιστον 3/4" (19 mm).

## Ηλεκτρική σύνδεση



Σε συσκευές με μεταγωγή τάσης πρέπει να έχει ρυθμιστεί οπωσδήποτε η σωστή τάση δικτύου στη συσκευή, προτού εισαχθεί το βύσμα στη πρίζα. Διαφορετικά ίσως προκληθούν βλάβες σε ηλεκτρικά δομικά μέρη της συσκευής.

### ΠΡΟΣΟΧΗ

- Συνδέετε το μηχάνημα μόνο σε εγκατάσταση που διαθέτει σύνδεση γείωσης.
- Η ηλεκτρική εγκατάσταση θα πρέπει να πραγματοποιηθεί από εξειδικευμένο ηλεκτρολόγο.
- Σύμφωνα με το πρότυπο IEC- 60364-1, η ηλεκτρική παροχή θα πρέπει να συμπεριλαμβάνει έναν διακόπτη κυκλώματος σφάλματος γείωσης (GFCI)
- Μην προκαλείτε βλάβες στο καλώδιο ηλεκτρικής σύνδεσης (π.χ. με σύνθλιψη, τέντωμα ή πάτημα).
- Η εξαγωγή του καλωδίου από την ηλεκτρική πρίζα να γίνεται τραβώντας απευθείας το βύσμα (και όχι τραβώντας το καλώδιο σύνδεσης).

## Καλώδια επιμήκυνσης

Ως αγωγό επιμήκυνσης χρησιμοποιείτε μόνο εξοπλισμό που αναφέρει ο κατασκευαστής ή άλλον εξοπλισμό υψηλής ποιότητας.

Σε περίπτωση χρήσης αγωγού επιμήκυνσης λάβετε υπόψη σας τις ελάχιστες τιμές διατομής αγωγού:

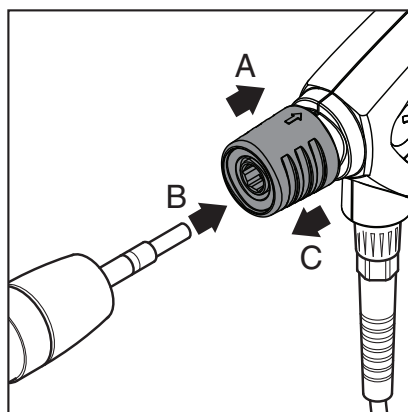
Μήκος καλωδίου	Διατομή	
	< 16 A	< 25 A
Έως 20 m	1.5 mm <sup>2</sup>	2.5 mm <sup>2</sup>
20 έως 50 m	2.5 mm <sup>2</sup>	4.0 mm <sup>2</sup>

### ΠΡΟΣΟΧΗ

- Κατά τη χρήση καρουλιών καλωδίου: Εξαιτίας κινδύνου πυρκαγιάς και υπερθέρμανσης πρέπει να ξετυλίγετε πάντα όλο το καλώδιο.
- Οι συνδέσεις των καλωδίων πρέπει να διατηρούνται στεγνές και σε απόσταση από το έδαφος

## 4 Χειρισμός / λειτουργία

### Σύνδεση σωλήνα ψεκασμού στο πιστολέτο ψεκασμού

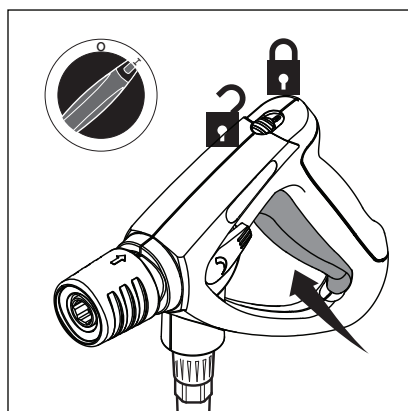


1. Τραβήξτε την μπλε λαβή ταχείας αποδέσμευσης (A) του πιστολέτου ψεκασμού προς τα πίσω.
2. Εισάγετε το ρύγχος της διάταξης ψεκασμού (B) στη σύνδεση ταχείας αποδέσμευσης και απελευθερώστε το.
3. Πιέστε τη διάταξη ψεκασμού (ή όποιο άλλο εξάρτημα) προς τα εμπρός για να ελέγξετε αν είναι καλά συνδεδεμένη με το πιστολέτο ψεκασμού.

#### ΠΡΟΣΟΧΗ

Να καθαρίζετε πάντα το ενωτικό από ενδεχόμενα μόρια ακαθαρσιών, πριν ενωθεί ο σωλήνας ψεκασμού με το πιστολέτο ψεκασμού.

### Ενεργοποίηση συσκευής κατά τη σύνδεση σε αγωγό νερού

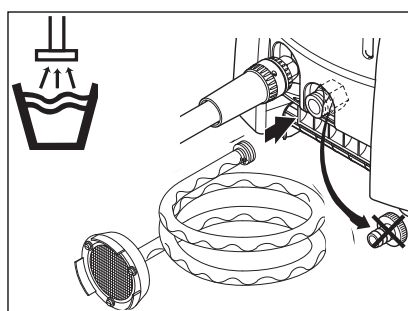


1. Ενεργοποιήστε τον κεντρικό διακόπτη, κεντρικός διακόπτης στη θέση "I".
2. Απασφαλίστε και ενεργοποιήστε το πιστολέτο ψεκασμού.
3. Εφαρμόστε το σύρτη ασφάλειας ακόμη και όταν κάνετε σύντομες διακοπές εργασίας.

#### ΠΡΟΣΟΧΗ

- Προς εξαερισμό του συστήματος ενεργοποιείτε επανειλημμένα σε σύντομα χρονικά διαστήματα
- το πιστολέτο ψεκασμού.

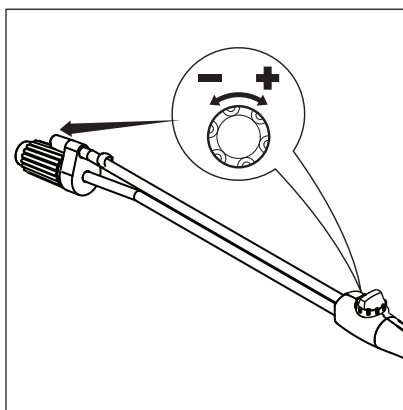
### Ενεργοποίηση συσκευής κατά τη σύνδεση σε ανοιχτό δοχείο (λειτουργία αναρρόφησης)



1. Πριν συνδέσετε το σετ αναρρόφησης GRACO στη συσκευή το γεμίζετε με νερό.
2. Ενεργοποιήστε τον κεντρικό διακόπτη, κεντρικός διακόπτης στη θέση "I".
3. Απασφαλίστε και ενεργοποιήστε το πιστολέτο ψεκασμού.

Μέγιστο ύψος αναρρόφησης (Εξαερωμένη) = 1 μέτρο.

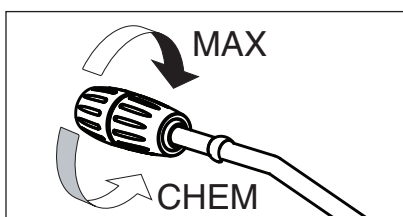
### Ρύθμιση πίεσης με Powerspeed Vario Plus-Lanze



Στρέψτε το περιστρεφόμενο κουμπί στη διάταξη ψεκασμού:

- Υψηλή πίεση = δεξιόστροφα (+)
- Χαμηλή πίεση = αριστερόστροφα (-)

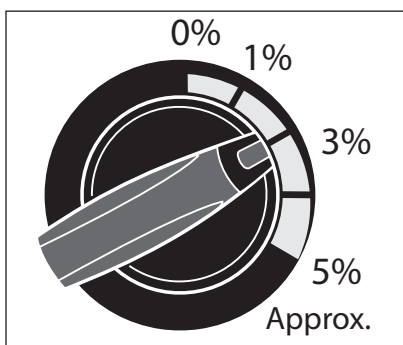
### Ρύθμιση πίεσης στο ακροφύσιο του FlexoPower Plus



Περιστρέψτε το δακτύλιο ακροφυσίου του FlexoPower Plus:

- Υψηλή πίεση = MAX.
- Χαμηλή πίεση = MIN. (CHEM)

### Χρήση απορρυπαντικών



Τα απορρυπαντικά μπορούν να αναρροφηθούν από τον σπάνταρτ εγκατεστημένο εγχυτήρα μόνο σε

λειτουργία χαμηλής πίεσης:

1. Αραιώστε το απορρυπαντικό σύμφωνα με την προδιαγραφή του κατασκευαστή.
2. Ρυθμίστε σε χαμηλή πίεση.
3. Ρυθμίστε την επιθυμητή ποσότητα απορρυπαντικού περιστρέφοντας τη δοσιμετρική βαλβίδα.
4. Ενεργοποιήστε τον κεντρικό διακόπτη, διακόπτης στη θέση "I".
5. Ενεργοποιήστε πιστολέτο ψεκασμού.

#### ΠΡΟΣΟΧΗ

Τα απορρυπαντικά δεν επιτρέπεται να ξερένονται. Διαφορετικά ενδέχεται να προκληθούν βλάβες στην προς καθαρισμό επιφάνεια.

# 5 Τομείς εφαρμογής και μέθοδοι εργασίας

## Γενικές υποδείξεις

Το πλέον αποτελεσματικό καθάρισμα με υψηλή πίεση επιτυγχάνεται εφόσον τηρηθούν μερικές οδηγίες σε συνδυασμό με την πείρα σας σε ειδικούς τομείς. Τα εξαρτήματα και τα μέσα καθαρισμού είναι σε θέση να βελτιώσουν το αποτέλεσμα του καθαρισμού εφόσον χρησιμοποιούνται σωστά. Ακολουθούν μερικές βασικές υποδείξεις.

## Μαλάκωμα

Παχιά στρώματα με ισχυρή κρούστα βρωμιάς μπορεί να διαλυθούν ή να μαλακώσουν μετά από επίδραση αρκετής ώρας. Είναι η ιδανική μέθοδος ιδιαίτερα για τη γεωργία - π.χ. στα χοιροστάσια. Το καλύτερο αποτέλεσμα επιτυγχάνεται με τη χρήση αλκαλικών μέσων καθαρισμού και μέσων καθαρισμού με ισχυρή δημιουργία αφρού. Ψεκάζετε την επιφάνεια με διάλυμα μέσου καθαρισμού και αφήνετε να δράσει 30 λεπτά. Κατόπιν ο καθαρισμός μπορεί να γίνει πιο γρήγορα με τη δέσμη νερού υψηλής πίεσης.

## Ψεκασμός μέσου καθαρισμού και αφρού

Το μέσο καθαρισμού και ο αφρός θα πρέπει να ψεκάζονται σε στεγνή επιφάνεια, έτσι ώστε το μέσο καθαρισμού να έρχεται σε επαφή με τη βρωμιά χωρίς άλλη αραίωση. Σε κάθετες επιφάνειες η εργασία πρέπει να γίνεται από κάτω προς τα πάνω, για να αποφεύγονται γλιστρήματα κατά την εκροή του μέσου καθαρισμού. Αφήνετε να δράσει μερικά λεπτά πριν αρχίσετε το καθάρισμα με τη δέσμη νερού υψηλής πίεσης. Μην αφήνετε το μέσο καθαρισμού να ξεραθεί.

## Θερμοκρασία

Το αποτέλεσμα καθαρισμού ενισχύεται σε υψηλότερες θερμοκρασίες. Ιδιαίτερα λίπη και λάδια διαλύονται ευκολότερα και γρηγορότερα. Οι πρωτεΐνες διαλύονται καλύτερα στους 60 °C, λίπη και λάδια στους 70 °C έως 90 °C.

## Μηχανική επίδραση

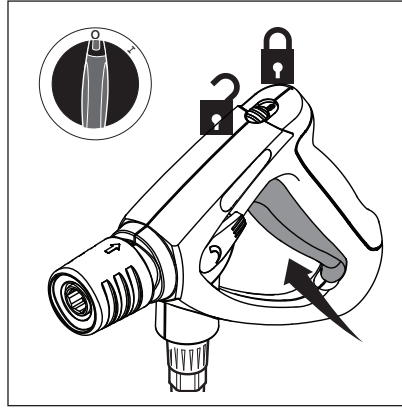
Για να διαλυθούν ισχυρά στρώματα βρωμιάς είναι απαραίτητες επιπλέον μηχανικές επιδράσεις. Ειδικό σωλήνες ψεκασμού και (περιστρεφόμενες βούρτσες) πλυσίματος προσφέρουν το καλύτερο αποτέλεσμα για να διαλυθεί το στρώμα βρωμιάς.

## Υψηλή παροχή νερού και υψηλή πίεση

Η υψηλή πίεση δεν αποτελεί πάντα την καλύτερη λύση καθώς πολύ υψηλή πίεση μπορεί να προκαλέσει βλάβη σε επιφάνειες. Το αποτέλεσμα καθαρισμού εξαρτάται επίσης και από την παροχή νερού. Η πίεση της τάξης των 100 bar είναι αρκετή για το καθάρισμα αυτοκινήτων (σε συνδυασμό με ζεστό νερό). Μεγαλύτερη παροχή νερού διευκολύνει το ξέπλυμα και την απομάκρυνση της διαλυμένης βρωμιάς.

## 6 Μετά την εργασία

### Απενεργοποίηση συσκευής



1. Απενεργοποίηση κεντρικού διακόπτη, διακόπτης σε θέση "OFF".
2. Κλείστε τη βάνα.
3. Ενεργοποιήστε το πιστολέτο ψεκασμού έως ότου η συσκευή δεν βρίσκεται υπό πίεση.
4. Εφαρμόστε μάνδαλο ασφάλειας στο πιστολέτο ψεκασμού.

### Τυλίγμα αγωγού σύνδεσης και σωλήνα υψηλής πίεσης και στοίβαγμα εξαρτημάτων

1. Τυλίξτε τον αγωγό σύνδεσης όπως φαίνεται στην απεικόνιση.
2. Τυλίξτε το σωλήνα υψηλής πίεσης όπως φαίνεται στην απεικόνιση.
3. Τοποθετήστε το σωλήνα ψεκασμού και τα λοιπά εξαρτήματα στις συγκρατήσεις.

#### ΠΡΟΣΟΧΗ

Κίνδυνος ατυχήματος. Για την αποτροπή ατυχημάτων, πάντα να τυλίγετε προσεκτικά το καλώδιο ρεύματος και τον εύκαμπτο σωλήνα.

### Αποθήκευση

Αποθηκεύετε τη συσκευή σε ξηρό χώρο και προστατευμένη από παγετούς.

### Αποθήκευση μηχανής (μακριά από παγετούς)

Σε περίπτωση τοποθέτησης της μηχανής καθαρισμού υψηλής πίεσης σε χώρο που επικρατούν θερμοκρασίες γύρω ή κάτω των 0° C, πρέπει προηγουμένως να αναρροφηθεί αντιψυκτικό μέσο από την αντλία:

1. Αποσυνδέστε το λάστιχο προσαγωγής νερού από τη συσκευή.
2. Αφαιρέστε το σωλήνα ψεκασμού.
3. Ενεργοποιήστε τη συσκευή, διακόπτης στη θέση «I».
4. Συνδέστε ένα μικρό εύκαμπτο σωλήνα αναρρόφησης στην υποδοχή εισαγωγής νερό της συσκευής καθαρισμού και τοποθετήστε το άλλο άκρο του σε έναν κάδο που περιέχει αντιψυκτικό υγρό.
5. Ενεργοποιήστε τη συσκευή, διακόπτης στη θέση «I».
6. Κρατήστε το πιστολέτο ψεκασμού πάνω από το δοχείο αντιψυκτικού μέσου και ενεργοποιήστε το για να εκκινήσετε τη διαδικασία αναρρόφησης.
7. Κατά τη διάρκεια της αναρρόφησης ενεργοποιήστε το πιστολέτο ψεκασμού 2 έως 3 φορές.
8. Ανυψώστε το λάστιχο αναρρόφησης από το δοχείο με το αντιψυκτικό μέσο και ενεργοποιήστε το πιστολέτο για να αναρροφηθεί το υπόλοιπο του αντιψυκτικού μέσου.
9. Απενεργοποιήστε τη συσκευή

#### ΠΡΟΣΟΧΗ

- Προς αποφυγή κάθε κινδύνου, πρέπει πριν από την επαναλειτουργία της συσκευής να την αποθηκεύσετε προσωρινά σε θερμαινόμενο χώρο
- Μην θετέτε ποτε σε λειτουργία το μηχανημα παγωμενο.



# 7 Αρση βλαβών

Βλάβη	Αιτία	Διόρθωση
Μείωση πίεσης	<ul style="list-style-type: none"> <li>• Αέρας στο σύστημα</li> <li>• Ακροφύσιο υψηλής πίεσης βουλωμένο/φθαρμένο</li> <li>• Δοχείο απορρυπαντικού άδειο</li> </ul>	<ul style="list-style-type: none"> <li>• Εξαερίστε το σύστημα, ενεργοποιώντας επανειλημμένως το πιστολέτο ψεκασμού σε σύντομα χρονικά διαστήματα, ενδεχ. ενεργοποιήστε για λίγο τη μηχανή χωρίς να συνδεθεί το λάστιχο υψηλής πίεσης.</li> <li>• Καθαρίστε/αντικαταστήστε ακροφύσιο υψηλής πίεσης</li> <li>• Γεμίστε δοχείο απορρυπαντικού ή τοποθετήστε δοσιμετρική βαλβίδα στη θέση «0».</li> </ul>
Διακυμάνσεις πίεσης	<ul style="list-style-type: none"> <li>• Αντλία αναρροφά αέρα (μόνο στη λειτουργία αναρρόφησης δυνατό)</li> <li>• Έλλειψη νερού</li> <li>• Λάστιχο προσαγωγής νερού πολύ μακρύ ή μικρής διατομής</li> <li>• Έλλειψη νερού λόγω βουλωμένου φίλτρου νερού</li> <li>• Έλλειψη νερού λόγω μη τήρησης του μέγιστου επιτρεπόμενου ύψους αναρρόφησης</li> </ul>	<ul style="list-style-type: none"> <li>• Ελέγξτε στεγανότητα αέρα του σετ αναρρόφησης</li> <li>• Ανοίξτε τη βρύση</li> <li>• Χρησιμοποιήστε προδιαγεγραμμένο λάστιχο προσαγωγής νερού</li> <li>• Καθαρίστε φίλτρο νερού στην είσοδο νερού (μη εργάζεστε ποτέ χωρίς φίλτρο νερού!)</li> <li>• Βλέπε οδηγίες λειτουργίας</li> </ul>
Το μοτέρ δεν παίρνει εμπρός	<ul style="list-style-type: none"> <li>• Ρευματολήπτης δεν έχει εμβυασματωθεί σωστά, διακοπή ρεύματος</li> <li>• Έχει απενεργοποιηθεί η ασφάλεια δικτύου</li> </ul>	<ul style="list-style-type: none"> <li>• Ελέγξτε αγωγό και διακόπτη και εν ανάγκη αναθέστε την αντικατάστασή τους σε ηλεκτρολόγο</li> <li>• Ενεργοποιήστε ασφάλεια δικτύου</li> </ul>
Μοτέρ θορυβεί χωρίς να παίρνει εμπρός	<ul style="list-style-type: none"> <li>• Τάση δικτύου πολύ χαμηλή, ή διακοπή φάσης</li> <li>• Αντλία μπλοκαρισμένη ή παγωμένη</li> <li>• Λάθος διατομή ή μήκος του καλωδίου επιμήκυνσης</li> </ul>	<ul style="list-style-type: none"> <li>• Αναθέστε έλεγχο ηλεκτρικής σύνδεσης</li> <li>• Ειδοποιήστε υπηρεσία εξυπηρέτησης πελατών της GRACO</li> <li>• Χρησιμοποιήστε σωστή διατομή καλωδίου ή σωστό μήκος</li> </ul>
Μοτέρ απενεργοποιείται	<ul style="list-style-type: none"> <li>• Ενεργοποιήθηκε προστασία υπερφόρτωσης λόγω υπερθέρμανσης ή υπερφόρτωσης του μοτέρ</li> </ul>	<ul style="list-style-type: none"> <li>• Αναθέστε έλεγχο συμβατότητας τάσης τροφοδοσίας και τάσης συσκευής. Απενεργοποιήστε και αφήστε να κρυώσει τουλάχιστον 3 λεπτά</li> </ul>
Απουσία απορρυπαντικών κατά τη χρήση εγχυτήρα απορρυπαντικών	<ul style="list-style-type: none"> <li>• Ακροφύσιο υψηλής πίεσης λερωμένο</li> <li>• Εγχυτήρας λερωμένος ή λάστιχο αναρρόφησης βουλωμένο</li> <li>• Δοχείο απορρυπαντικού άδειο</li> <li>• Περιστρεφόμενο κουμπί στο σωλήνα ψεκασμού δεν έχει ρυθμιστεί σε χαμηλή πίεση</li> </ul>	<ul style="list-style-type: none"> <li>• Αντικαταστήστε ακροφύσιο υψηλής πίεσης</li> <li>• Καθαρίστε</li> <li>• Γεμίστε δοχείο απορρυπαντικού</li> <li>• Στρέψτε το περιστρεφόμενο κουμπί στο σωλήνα ψεκασμού αριστερόστροφα μέχρι το σημείο αναστολής</li> </ul>



# 8 Διάφορα

## Μεταφορά

Για την ασφαλή μεταφορά μέσα και πάνω σε οχήματα συνιστούμε τη χρήση ιμάντων στερέωσης προς αποφυγή ολίσθησης ή ανατροπής.

Μεταφορά σε οριζόντια θέση:

- μην ακουμπάτε ή ανατρέπετε τη συσκευή οριζόντια από την πλευρά με τις συνδέσεις.
- αφαιρέστε λάστιχο αναρρόφησης από το μεσαίο δοχείο απορρυπαντικού και κλείστε το δοχείο με το καπάκι που σας παραδόθηκε.
- πριν την ενεργοποίηση της συσκευής: προσέξτε το λάδι να έχει επιστρέψει από το δοχείο συλλογής λαδιού στο περίβλημα αντλίας. Ελέγξτε στάθμη λαδιού, αν είναι απαραίτητο συμπληρώστε λάδια.

Αν η μεταφορά της συσκευής και των εξαρτημάτων της γίνεται σε θερμοκρασίες γύρω ή κάτω των 0° C, συνιστούμε τη χρήση αντιψυκτικού μέσου όπως περιγράφεται στο κεφάλαιο 5.

## Επισκευή και συντήρηση

Πρέπει πάντα να αφαιρείτε το βύσμα από την πρίζα πριν εκτελέσετε κάποια εργασία συντήρησης στο μηχάνημά σας.

## Ανακύκλωση μηχανής

Η άχρηστη συσκευή θα πρέπει α αποσυρθεί αμέσως.

1. Τραβήξτε το βύσμα δικτύου.
2. Κόψτε το καλώδιο ηλεκτρικής σύνδεσης.
3. Μην πετάτε ηλεκτρικές συσκευές σε οικιακά απορρίμματα.



Σύμφωνα με την Ευρωπαϊκή Οδηγία 2002/96/Ε.Κ. περί παλιών ηλεκτρικών και ηλεκτρονικών συσκευών, οι μεταχειρισμένες ηλεκτρικές συσκευές πρέπει να συλλέγονται ξεχωριστά και να αποσύρονται για οικολογική επανακύκλωση.

## Εγγύηση

Για εγγύηση και ευθύνη ισχύουν οι γενικοί όροι συναλλαγών μας.

Διατηρούμε το δικαίωμα αλλαγών λόγω τεχνικών καινοτομιών.

## Δήλωση ανταπόκρισης ΕΟΚ

**EC-DECLARATION OF CONFORMITY**

EG-VERKLARING VAN OVEREENSTEMMING, DÉCLARATION DE CONFORMITÉ CE, EG-KONFORMITÄTSEKRLÄRUNG, DICHIARAZIONE DI CONFORMITÀ CE, EF-OVERENSSTEMMELSESEKRLÆRING, ΕΚ-ΔΗΛΩΣΗ ΣΥΜΜΟΡΦΩΣΗΣ, DECLARAÇÃO DE CONFORMIDADE - CE, DECLARACIÓN DE CONFORMIDAD DE LA CE, EY-VAATIMUSTENMUKAISUUSVAKUUTUS, EG-DEKLARATION OM ÖVERENSSTÄMMELSE, ES PROHLÁŠENÍ O SHODĚ, EÜ VASTAVUSDEKLARATSIOON, EC MEGFEJELŐSÉGI NYILATKOZAT, EK ATBILSTĪBAS DEKLARĀCIJA, ES ATĪTIKTĪES DEKLARĀCIJA, DEKLARACJA ZGODNOŚCI UE, DIKJARAZZJONI-KE TA' KONFORMITA', IZJAVA ES O SKLADNOSTI, ES - VYHLÁŠENIE O ZHODE, ΕΟ-ΔΕΚΛΑΡΑCΙΑ ΖΑ CŪΒΜΕCΤΙΜΟCΤ, DEIMHNIŪ COMHREIREACHTA CE, CE-DECLARAȚIE DE CONFORMITATE

**Model****AquaMax 2330E, 2335E**

Modèle, Modell, Modello, Μοντέλο,  
Modelo, Malli, Mudel, Modelis, Mudell, Модел, Samhail

**Part****287428, 287429**

Bestelnr., Type, Teil, Codice, Del, Μέρος, Peça,  
Referencia, Osa, Součást, Részegység, Daja, Dalis,  
Część, Taqsim, Čast', Част', Páirt, Parte

**Complies With The EC Directives:**

Volddet aan de EG-richtlijnen, Conforme aux directives CE, Entspricht den EG-Richtlinien, Conforme alle direttive CE, Overholder EF-direktiverne, Σύμφωνα με τις Οδηγίες της ΕΚ, Em conformidade com as Directivas CE, Cumple las directivas de la CE, Täyttää EY-direktiivien vaatimukset, Uppfyller EG-direktiven, Shoda se smérnicemi ES, Vastab EÜ direktiividele, Kielégíti az EK irányelvek követelményeit, Atbilst EK direktívam, Atitinka šias ES direktyvas, Zgodność z Dyrektywami UE, Konformi mad-Direttivi tal-KE, V skladu z direktivami ES, Je v súlade so smernicami ES, Съвместимост с Директиви на ΕΟ, Tá ag teacht le Treoracha an CE, Respectá directivele CE

2006/42/EC Machine Directive2006/95/EC Low Voltage Directive2004/108/EC EMC Directive**Standards Used:**

Gebruikte maatstaven, Normes respectées, Verwendete Normen, Norme applicate, Anvendte standarder, Πρότυπα που χρησιμοποιήθηκαν, Normas utilizadas, Normas aplicadas, Sovellettavat standardit, Tillämpade standarder, Použité normy, Rakendatud standardid, Alkalmazott szabványok, Izmantotie standarti, Taikyti standartai, Uzyte normy, Standards Uzati, Uporabljeni standardi, Použité normy, Използвани стандарти, Caighdeáin arna n-úsáid, Standarde utilizate

EN 12100, EN 60335-2-79, EN 55014-1, EN 55014-2, EN 61000-3-2, DIN EN 60335-2-79**Notified Body for Directive**

Aangemelde instantie voor richtlijn, Organisme notifié pour la directive, Benannte Stelle für diese Richtlinie, Ente certificatore della direttiva, Bemyndiget organ for direktiv, Διακοινωμένο όργανο Οδηγίας, Organismo notificado relativamente à directiva, Organismo notificado de la directiva, Direktiivin mukaisesti ilmoitettu tarkastuslaitos, Anmält organ för direktivet, Úředně oznámený orgán pro směrnici, Teavitatud asutus (direktiivi järgi), Az irányelvvvel kapcsolatban értesített testület, Pilnvarotā iestāde saskaņā ar direktīvu, Apie direktīvu Informuota institūcija, Ciało powiadomione dla Dyrektywy, Korp avzat bid-Direttiva, Priglašeni organ za direktivo, Notifikovaný orgán pre smernicu, Нотифициран орган за Директива, Comhlacht ar tugadh fógra dó, Organism notificat în conformitate cu directiva

--	--	--	--

**Approved By:**

Goedgekeurd door, Approuvé par, Genehmigt von, Approvato da, Godkendt af, Έγκριση από, Aprovado por, Aprobado por, Hyväksynyt, Intygas av, Schwälil, Kinnitanud, Jóváhagyta, Apstiprināts, Patvirtino, Zatwierdzone przez, Approvat minn, Dobril, Schválené, Одобрено от, Faofa ag, Aprobat de
















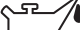

**Hans van Cranenbroek****Manufacturing, Engineering and Warehousing Manager****10 JANUARY 2011**

Manufactured By:  
**GRACO INC.**  
88 - 11<sup>th</sup> Avenue N.E.  
Minneapolis, MN 55413  
USA

Authorized Representative:  
**GRACO N.V.**  
Slakweidestraat 31  
3630 Maasmechelen  
BELGIUM

**199382****A**

## Τεχνικά στοιχεία

		AquaMax 2330E	AquaMax 2335E
	V/Ph/Hz	230/1/50	400/3/50
	A	16	10
	kW	3.3	4.2
<b>I</b>	A	15	7.6
		IP X5	IP X5
	bar/MPa	160/16	160/16
	bar/MPa	200/20	200/20
	l/h	560	700
	l/h	620	760
<b>Cleaning Impact</b>	kg/Force	3.0	3.6
		0350	0475
	°C	50	50
	bar / MPa	10/1	10/1
	mm	450 x 380 x 1040	450 x 380 x 1040
	kg	40.4	40.4
 <b>EN 60704-1</b>	dB(A)	74.6	75
 <b>L<sub>WA</sub></b>	dB(A)	87.9	90
<b>Vibration ISO 5349</b>	m/s <sup>2</sup>	< 2.5	< 2.5
<b>Recoil forces</b>	N	28	35
	l	0.225	0.225
		Agip Rotra 80W-90	

## Βασική Εγγύηση Graco

Η Graco εγγυάται όλο τον εξοπλισμό, που αναφέρεται στο παρόν έγγραφο, που κατασκευάζεται από την Graco και φέρει το όνομά της ότι είναι απαλλαγμένο από ατέλειες στο υλικό και στην κατεργασία κατά την ημερομηνία πώλησης στον αρχικό αγοραστή για χρήση. Με εξαίρεση οποιασδήποτε πρόσθετης, διευρυμένης ή περιορισμένης εγγύησης που δημοσιεύεται από την Graco, η Graco, για μια περίοδο δώδεκα μηνών από την ημερομηνία πώλησης, θα επισκευάσει ή θα αντικαταστήσει οποιοδήποτε μέρος του εξοπλισμού που καθορίζεται από την Graco ότι είναι ελαττωματικό. Η παρούσα εγγύηση ισχύει μόνο όταν ο εξοπλισμός είναι εγκατεστημένος, χρησιμοποιείται και διατηρείται σύμφωνα με τις γραπτές συστάσεις της Graco.

Η παρούσα εγγύηση δεν καλύπτει, και η Graco δεν θα είναι υπεύθυνη για γενική φθορά λόγω χρήσης, ή οποιαδήποτε δυσλειτουργία, ζημία ή φθορά που προκαλούνται από ελαττωματική εγκατάσταση, κακή εφαρμογή, γδάρισμα, διάβρωση, ανεπαρκή ή ανάρμοστη συντήρηση, αμέλεια, ατύχημα, παραποίηση ή αντικατάσταση μη-Graco εξαρτημάτων. Η Graco δεν θα είναι επίσης υπεύθυνη για δυσλειτουργία, ζημία ή φθορά που προκαλούνται από ασυμβατότητα του εξοπλισμού της Graco με δομές, εξαρτήματα, εξοπλισμό ή υλικά που δεν παρέχονται από την Graco, ή από ανάρμοστο σχέδιο, κατασκευή, εγκατάσταση, λειτουργία ή συντήρηση των δομών, εξαρτημάτων, εξοπλισμού ή υλικών που δεν παρέχονται από Graco.

Η παρούσα εγγύηση ρυθμίζεται με την προπληρωμένη επιστροφή του εξοπλισμού που θεωρείται ότι είναι ελαττωματικός σε έναν εξουσιοδοτημένο διανομέα της Graco για επαλήθευση της αναφερομένης βλάβης. Εάν η αναφερομένη βλάβη επιβεβαιώνεται, η Graco θα επισκευάσει ή θα αντικαταστήσει δωρεάν οποιαδήποτε ελαττωματικά εξαρτήματα. Ο εξοπλισμός θα επιστραφεί με την αρχική μεταφορά αγοραστή προπληρωμένη. Εάν η επιθεώρηση του εξοπλισμού δεν αποκαλύπτει οποιαδήποτε βλάβη στο υλικό ή στην κατεργασία, οι επισκευές θα γίνουν σε μια λογική δαπάνη, δαπάνες που μπορεί να περιλάβουν τις δαπάνες των εξαρτημάτων, της κατεργασίας, και της μεταφοράς.

Η ΠΑΡΟΥΣΑ ΕΓΓΥΗΣΗ ΕΙΝΑΙ ΑΠΟΚΛΕΙΣΤΙΚΗ, ΚΑΙ ΕΙΝΑΙ ΕΝΑΝΤΙ ΟΠΟΙΩΝΔΗΠΟΤΕ ΑΛΛΩΝ ΕΓΓΥΗΣΕΩΝ, ΡΗΤΩΝ Η ΣΙΩΠΗΡΩΝ ΣΥΜΠΕΡΙΛΑΜΒΑΝΟΜΕΝΗΣ, ΩΣΤΟΣΟ ΧΩΡΙΣ ΠΕΡΙΟΡΙΣΜΟ, ΤΗΣ ΕΓΓΥΗΣΗΣ ΕΜΠΟΡΕΥΣΙΜΟΤΗΤΑΣ Η ΤΗΝ ΕΓΓΥΗΣΗ ΚΑΤΑΛΛΗΛΟΤΗΤΑΣ ΓΙΑ ΣΥΓΚΕΚΡΙΜΕΝΟ ΣΚΟΠΟ.

Η μόνη υποχρέωση της Graco και η μόνη αποζημίωση του αγοραστή για οποιαδήποτε παραβίαση της εγγύησης θα είναι όπως εκτίθεται ανωτέρω. Ο αγοραστής συμφωνεί ότι καμία άλλη αποζημίωση (συμπεριλαμβανομένων, αλλά μη περιορισμένων, απρόβλεπτων ή επακόλουθων ζημιών για χαμένα κέρδη, απολεσθείσες πωλήσεις, προσωπικό τραυματισμό ή βλάβη εί της περιουσίας, ή οποιαδήποτε άλλη απρόβλεπτη ή επακόλουθη απώλεια) δεν θα είναι διαθέσιμη. Οποιαδήποτε αγωγή για την παραβίαση της εγγύησης πρέπει να υποβληθεί μέσα σε δύο (2) έτη από την ημερομηνία πώλησης.

Η GRACO ΔΕΝ ΕΓΓΥΑΤΑΙ ΚΑΙ ΑΠΟΠΟΙΕΙΤΑΙ ΟΛΕΣ ΤΙΣ ΣΙΩΠΗΡΕΣ ΕΓΓΥΗΣΕΙΣ ΕΜΠΟΡΕΥΣΙΜΟΤΗΤΑΣ ΚΑΙ ΚΑΤΑΛΛΗΛΟΤΗΤΑΣ ΓΙΑ ΣΥΓΚΕΚΡΙΜΕΝΟ ΣΚΟΠΟ, ΣΧΕΤΙΚΑ ΜΕ ΤΑ ΕΞΑΡΤΗΜΑΤΑ, ΤΟΝ ΕΞΟΠΛΙΣΜΟ, ΤΑ ΥΛΙΚΑ Η ΤΑ ΣΤΟΙΧΕΙΑ ΠΟΥ ΠΩΛΟΥΝΤΑΙ ΑΛΛΑ ΠΟΥ ΔΕΝ ΚΑΤΑΣΚΕΥΑΖΟΝΤΑΙ ΑΠΟ ΤΗΝ GRACO. Αυτά τα είδη που πωλούνται, αλλά δεν κατασκευάζονται, από την Graco (όπως οι ηλεκτρικοί κινητήρες, οι διακόπτες, ο σωλήνας, κ.λπ.), υπόκεινται στην εγγύηση, αν υπάρχει, του κατασκευαστή τους. Η Graco θα παράσχει στον αγοραστή λογική βοήθεια στην πραγματοποίηση οποιασδήποτε αξίωσης για την παραβίαση αυτών των εγγυήσεων.

Σε καμία περίπτωση η Graco δεν θα είναι υπεύθυνη για έμμεσες, απρόβλεπτες, ειδικές ή επακόλουθες ζημιές ως αποτέλεσμα παροχής εξοπλισμού από την Graco κάτωθι, ή τον εφοδιασμό, την απόδοση, ή τη χρήση οποιωνδήποτε προϊόντων ή άλλων αγαθών που πωλούνται στο παρόν, είτε λόγω μιας παραβίασης της σύμβασης, παραβίασης της εγγύησης, ή αμέλειας της Graco, ή άλλως.

**Graco reserves the right to make changes at any time without notice.**

**Αρχικό εγχειρίδιο οδηγιών. This manual contains Greek. MM 3A1490**

**Graco Headquarters: Minneapolis**

**International Offices: Belgium, China, Japan, Korea**

**GRACO INC. P.O. BOX 1441 MINNEAPOLIS, MN 55440-1441**

**www.graco.com**

# Ýçindekiler

<b>1</b>	<b>Önemli güvenlik bilgileri.....</b>	<b>208</b>
	<i>Uyarý iþaretleri.....</i>	208
	<i>Uyarýlar.....</i>	208
<b>2</b>	<b>Tarifi.....</b>	<b>210</b>
	<i>Kumanda elemanları.....</i>	210
	<i>Kullanma talimatları.....</i>	211
	<i>Kullanım amacı.....</i>	211
	<i>Ayrıca destek.....</i>	211
	<i>Kullanmadan önce.....</i>	211
<b>3</b>	<b>Devreye almadan önce.....</b>	<b>212</b>
	<i>Kurulması.....</i>	212
	<i>Yüksek basınç hortumunun bağlanması.....</i>	212
	<i>BA valfi.....</i>	213
	<i>Montaj kılavuzu.....</i>	213
	<i>Bakım.....</i>	213
	<i>Su hortumunun bağlanması.....</i>	214
	<i>Elektrik bağlantısı.....</i>	214
	<i>Uzatma kabloları.....</i>	214
<b>4</b>	<b>Kullanýmý / Çalıþtırılması.....</b>	<b>215</b>
	<i>Püskürtme borusunun püskürtme tabancasına bağlanması.....</i>	215
	<i>Cihazın bir su borusuna takılmasıyla çalıştırılması.....</i>	215
	<i>Cihazın açık kaplara bağlanmasında çalıştırılması (emme iþletmesi).....</i>	215
	<i>Powerspeed Vario Plus mızrağıyla basıncın ayarlanması.....</i>	216
	<i>FlexoPower Plus enjektöründen basınç ayarı.....</i>	216
	<i>Temizlik maddelerinin kullanılması.....</i>	216
<b>5</b>	<b>Kullanım alanları ve çalışma metotları.....</b>	<b>217</b>
	<i>Genel uyarılar.....</i>	217
	<i>Yumuşatma.....</i>	217
	<i>Temizlik maddesi ve köpük püskürtülmesi.....</i>	217
	<i>Isı 217</i>	
	<i>Mekanik etki.....</i>	217
	<i>Büyük su kuvveti ve yüksek basınç.....</i>	217
<b>6</b>	<b>İş bittikten sonra.....</b>	<b>218</b>
	<i>Cihazın kapatılması.....</i>	218
	<i>Bağlantı kablosunun ve yüksek basınç hortumunun sarılması ve aksesuarın toplanması.....</i>	218
	<i>Muhafaza edilmesi.....</i>	218
	<i>Cihazın muhafaza edilmesi (dondan korunarak depolanması).....</i>	218
<b>7</b>	<b>Arızaların giderilmesi.....</b>	<b>219</b>
<b>8</b>	<b>Diğer hususlar.....</b>	<b>220</b>
	<i>Taşıması.....</i>	220
	<i>Bakım ve onarım.....</i>	220
	<i>Cihazın tekrar deęerlendirmeye tabi tutulması.....</i>	220
	<i>Garanti.....</i>	220
	<i>AB - Uygunluk beyanı.....</i>	221
	<i>Teknik özellikler.....</i>	222
	<i>Standart Graco Garantisi.....</i>	223

# 1 Önemli güvenlik bilgileri

## Uyarı işaretleri

### TEHLİKE

Doğrudan ağır ve iyileşmeyen yaralanmalara veya ölüme neden olan tehlike.

### İKAZ

Ağır yaralanmalara veya ölüme neden olabilen tehlike.

### DİKKAT

Hafif yaralanmalara veya mal hasarlarına neden olabilen tehlike.

## Uyarılar

### İKAZ

- Güvenlik açısından kuşkulu olan her türlü çalışma peklinden kaçınılması gerekmektedir.
- Mekanik, elektrik veya termal güvenlik cihazlarında hiçbir değişiklik yapılmamalıdır.
- Bu cihaz çocuklar tarafından ve fiziksel, algısal veya zihinsel yetenekleri cihazı güvenli biçimde kullanmalarına engel teşkil edecek kişiler veya gerekli deneyim veya bilgiye sahip olmayan kişiler tarafından yardım veya denetim olmadan kullanılmamalıdır.
- Bu makine, yalnızca GRACO tarafından sağlanan ya da önerilen temizleme kimyasallarıyla kullanılabilir. Başka temizlik kimyasallarının kullanılması, makinenin güvenliğini olumsuz yönde etkileyebilir.
- Patlama riski – Makineyi, yanıcı sıvılar püskürtmek için kullanmayın.



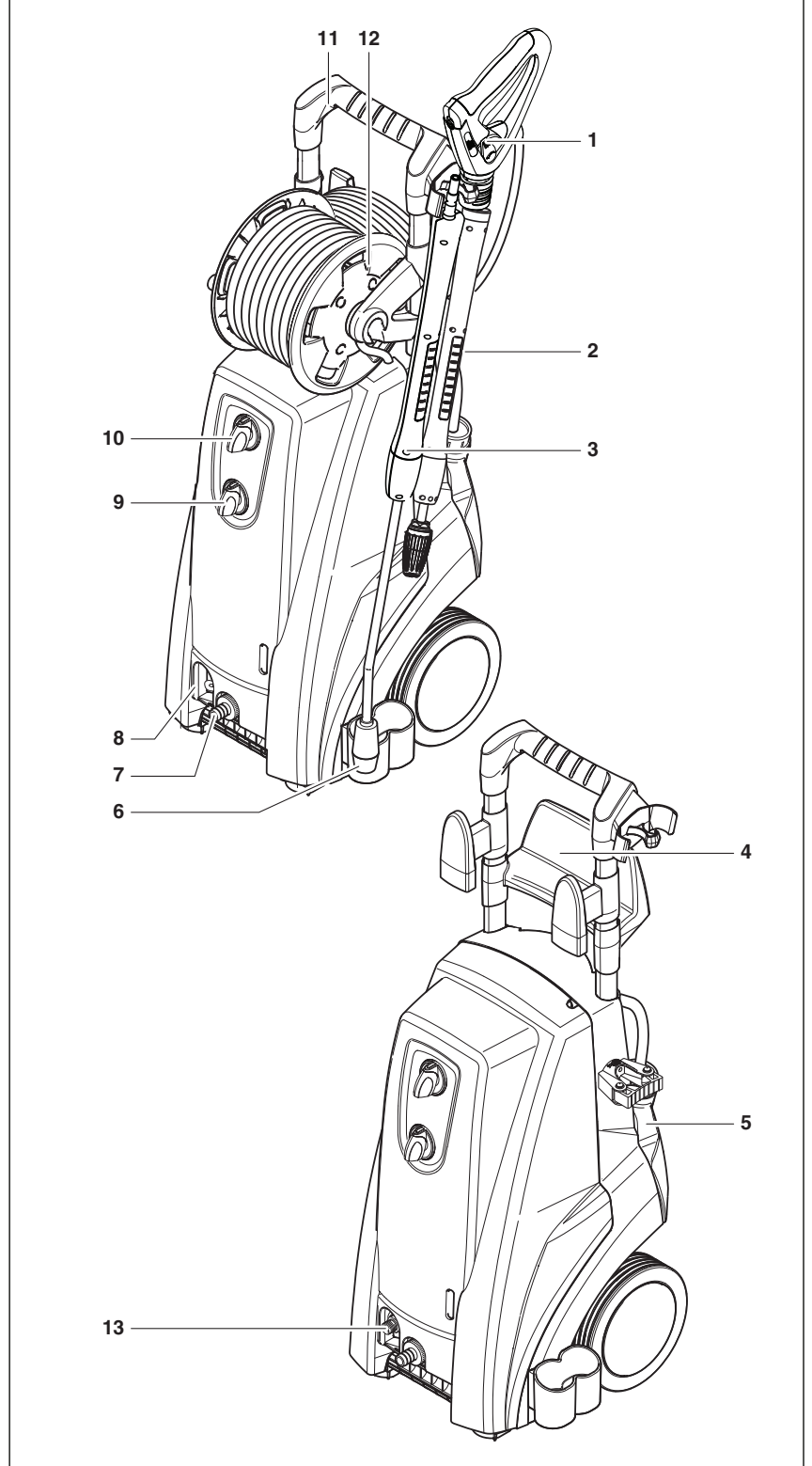
## DİKKAT

- Yüksek basınçlı su jetleri tehlikeli olabilir. Su jetini kesinlikle insanlara, evcil hayvanlara, fişe takılı durumdaki elektrikli aletlere ya da makinenin kendisine doğrultmayın.
- Kendinizin veya başkalarının giymekte olduğu giysileri veya ayakkabıları temizlemeye kesinlikle kalkışmayın.
- Makineyi kullanan kişi ve temizlik yapılan bölgenin hemen yakınında bulunan kişiler, temizlik işlemi sırasında yerinden fırlayabilecek maddelerin çarpması tehlikesine karşı kendilerini korumalıdır. Kullanım sırasında koruyucu gözlük takın
- Yeterince hava sirkülasyonu olmasın dikkat ediniz. Cihazın üzerini örtmeyiniz veya yeterince havalandırılmayan yerlerde kullanmayınız.
- Makineyi patlama tehlikesi bulunabilecek ortamlarda kesinlikle kullanmayın. Bu konuda herhangi bir şüpheniz varsa yerel yetkililerle temas kurun.
- Asbest içeren yüzeylerin yüksek basınçla temizlenmesine izin verilmez.
- Bu yüksek basınçlı yıkama makinesi 0°C'nin altındaki sıcaklıklarda kullanılmamalıdır.
- Yalnızca belirtilen yakıtı kullanın. Yanlış yakıt kullanılması ciddi tehlikelere neden olabilir.
- Cihaz kullanılırken, püskürtme tertibatında geri tepme gücü oluşur; eğer püskürtme borusu veya hortumu katlanırsa, ek olarak dönme momenti de oluşur. Bu nedenle püskürtme tertibatını iki elinizle sıkıca tutunuz.
- Temizlenecek olan cisimleri temizlemeden önce, bu cisimlerden çevre için zararlı olabilecek maddelerin (örneğin asbest, yağ) çıkıp, çevreyi kirletme ihtimali olup olmadığını kontrol ediniz.
- Lastik, kumaş vb. gibi hassas parçaları yuvarlak hüzmeye temizleyiniz. Temizleme sırasında, temizlenecek yüzeye hasar verilmesini önlemek için yüksek basınçlı enjektör ile yüzey arasında yeterli bir mesafenin bırakılmasına dikkat ediniz.
- Cihazı katiyen susuz çalıştırmayınız. Kısa süre dahi susuz çalıştırmayınız, pompanın manbetlerinin aşırı derecede zarar görmesine sebep olur.
- Güvenlik açısından püphemeli olan veya tehlikeli olabilecek hiç bir işlem yapılmamalıdır.
- Tetik kolunu açık konumda bağlamayın.

## 2 Tarifi

### Kumanda elemanları

- |   |                                      |
|---|--------------------------------------|
| 1. Püskürtme tabancası                  | filtresi                             |
| 2. Elektrik bağlantı kablosu            | 8. Hortum makarasına su beslemesi    |
| 3. Püskürtme borusu                     | 9. Ana şalter                        |
| 4. Bebeke bağlantı kablosu tutma düzeni | 10. Temizlik maddesi doz ayarı       |
| 5. Temizlik malzemesi deposu            | 11. Sürme çemberi                    |
| 6. Püskürtme borusu tutma düzeni        | 12. Hortum makarası <sup>1)</sup>    |
| 7. Su bağlantısı ve su giriş            | 13. Yüksek basınç hortumu bağlantısı |





**Kullanma talimatları**

Cihazı çalıştırmadan önce bu dokümanı mutlaka okuyunuz ve kolay erişilebilecek bir yerde muhafaza ediniz.

Cihazın işletilmesi geçerli olan ulusal hükümlere tabidir. İşletme kılavuzunun ve kullanıldığı ülkede kazaların önlenmesine ilişkin geçerli olan bağılayıcı düzenlemelerin yanı sıra güvenli ve usulüne uygun çalışma hususundaki kabul edilmiş uzman teknik kurallara da dikkat edilmesi gerekmektedir.

**Kullanım amacı**

Yüksek basınçlı temizleyici, profesyonel kullanım için tasarlanmıştır. Tarım ve inşaat makinelerinin, ahırların, araçların, paslı yüzeylerin vs. temizlenmesinde kullanılabilir.

Temizleyici, yiyeceklerle temas eden yüzeylerin temizlenmesinde kullanılmak üzere onaylanmamıştır.

Bunun dışındaki her türlü kullanım, amacına uygun olmayan kullanım olarak sayılmaktadır. Bundan dolayı oluşan hasarlar için imalatçısı sorumluluk üstlenmez. Amacına uygun kullanımına imalatçısı tarafından öngörülen işletme, bakım ve tamir koşullarına uyulması da dahildir.

**Ayrıca destek**

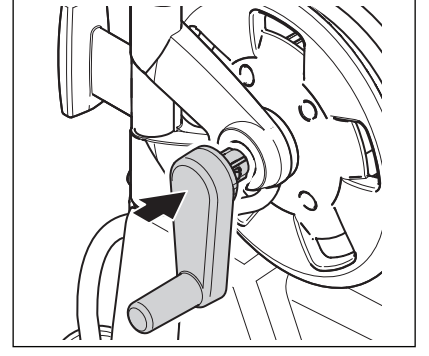
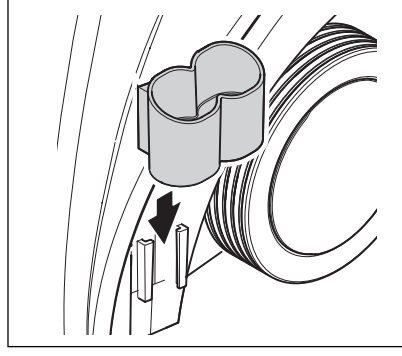
Ayrıca sorularınız için lütfen ülkeniz için yetkili GRACO Servisi'ne başvurunuz.

**Kullanmadan önce**

Makinenizi çalıştırmadan önce herhangi bir kusuru olup olmadığını dikkatle kontrol ediniz.

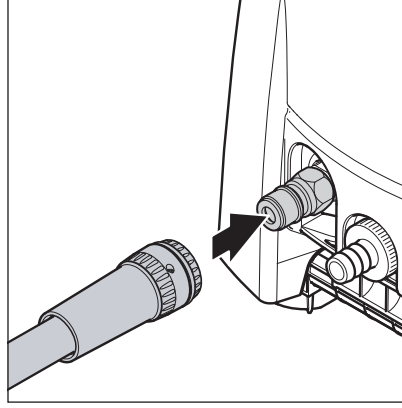
### 3 Devreye almadan önce

#### Kurulması

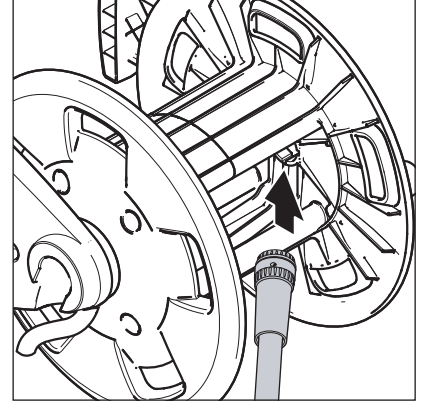


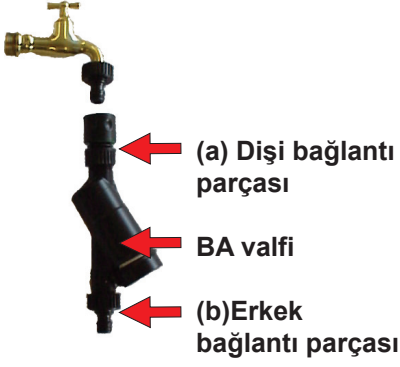
#### Yüksek basınç hortumunun bağlanması

Hortum makarası olmayan cihazlar.



Hortum makarası olan cihazlar.



**BA valfi**

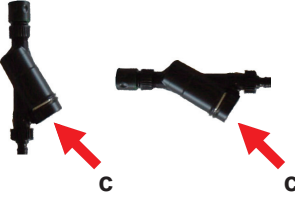
Bu yüksek basınçlı yıkama makinesinin/temizleyicinin, yalnızca EN 1717'ye uygun BA tipi bir geri tepme önleyici takıldığında içme suyu şebekesine bağlanmasına izin verilmektedir.

BA valfi, bu sipariş numaralarıyla sipariş edilebilir:

- GARDENA bağlantı parçalarıyla birlikte BA valfi: 106411177
- NITO bağlantı parçalarıyla birlikte BA valfi: 106411178
- GEKA bağlantı parçalarıyla birlikte BA valfi: 106411179
- Bağlantı parçası olmadan BA valfi: 106411184

Bağlantı parçaları, bu sipariş numaralarıyla sipariş edilebilir:

- 3/4" GARDENA (a): 32541
- 3/4" GARDENA (b): 1608629
- 3/4" NITO (a): 1602945
- 3/4" NITO (b): 1600659
- 1/2" NITO (b): 1604669
- 3/4" GEKA (a): 1718
- 3/4" GEKA (b): 1311

**Montaj kılavuzu**

1. Bir erkek bağlantı parçasını su musluğuna takın.
2. BA valfi üzerindeki (a) parçasını, su musluğuna bağlayın.
3. Bir dişi bağlantı parçasını su giriş hortumuna takın.
4. BA valfi üzerindeki (b) parçasını, su girişi hortumuna bağlayın.
5. Su giriş hortumunu, yüksek basınçlı yıkama makinesine bağlayın.
6. Suyu açın ve makineyi başlatın.

**DİKKAT**

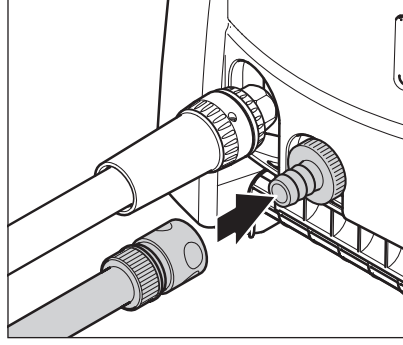
- Geri tepme önleyici, dikey ya da yatay olarak takılabilir ve boşaltma açıklığı (c) aşağı dönük olarak takılmalıdır.
- Boşaltma açıklığından akan suyun (c) serbest biçimde akabilmesi gerekmektedir.
- Giriş suyu içinde akar durumda kum taneleri bulunması riski varsa (örneğin kuyunuzdan gelen), su musluğu ile geri tepme önleyicisi arasına ek bir filtre takılmalıdır.
- Geri tepme önleyici ve yüksek basınçlı yıkama makinesi arasındaki hortum (en az 3/4 inç çapta), olası basınç yükselmelerini emebilmesi için en az 10 metre olmalıdır.
- BA valfinden su akmaya başlar başlamaz, bu su artık içilebilir olarak kabul edilmez.
- Geri tepme önleyiciyi donmaya karşı koruyun.
- Geri tepme önleyiciyi, temiz ve pisliklerden uzak tutun.

**Bakım**

En az yılda bir kere aşağıdaki işlevleri kontrol edin:

1. Çalışmadan sonra yüksek basınçlı temizleyiciyi kapatın.
2. Su musluğu valfini kapatın.
3. Püskürtme tabancasının tetiğini çekerek su besleme hortumundaki basıncı boşaltın.
4. Geri tepme önleyiciyi sökün. Kullanılabilir suyun ayrıldığından emin olmak için boşaltma açıklığından (c) su gelmelidir (maks. 100ml).
5. Su gelmezse, BA valfini temizlemeyi deneyin ya da GRACO temsilcinizle görüşün.

### Su hortumunun bağlanması



1. Su hortumunun içinden, kum ve başka pislik parçacıklarının cihaza girememesi için, cihaza bağlamadan önce kısaca su geçiriniz.
2. Çabuk kavramalı su hortumunu su bağlantı yerine bağlayınız.
3. Su musluğunu açınız.

#### DİKKAT

- Su kalitesinin kötü olmasında (alüvyonlu kum vs.) su girişine bir ince su filtresi monte ediniz.
- Cihaza bağlamak için nominal çapı 3/4" (19 mm) olan dokuma ile sağlamlaştırılmış bir su hortumu kullanınız.

### Elektrik bağlantısı



Farklı gerilimlere ayarlanabilen cihazlarda, elektrik fişini prize takmadan önce mutlaka cihazda doğru şebeke geriliminin ayarlanmış olmasına dikkat ediniz. Aksi halde cihazın elektrikli yapı parçaları hasar görebilir.

#### DİKKAT

- Makineyi mutlaka toprak bağlantısı olan bir tesisata bağlayın.
- Elektrik tesisatı uygun ehliyete sahip bir elektrikçi tarafından yapılmalıdır.
- IEC- 60364-1'e göre bu makineye bağlanan elektrik kaynağında bir artık akım cihazının (GFCI) bulunması önemle tavsiye edilir.
- Elektrik pebekesi bađlantý hattýna zarar vermeyiniz (örneđin her hangi bir tađýtla üzerinden geçerek, çekerek, sýkýptýrarak).
- Elektrik pebekesi bađlantý kablosunu prizden çýkarýrken sadece fişi tutarak çekiniz (kablodan tutup çekmeyiniz).

### Uzatma kabloları

Uzatma kablosu olarak sadece üretici tarafından belirtilmiş veya daha kaliteli modelleri kullanınız.

Bir uzatma kablosunun kullanýlması halinde, kablonun asgari kesitine dikkat edilmelidir:

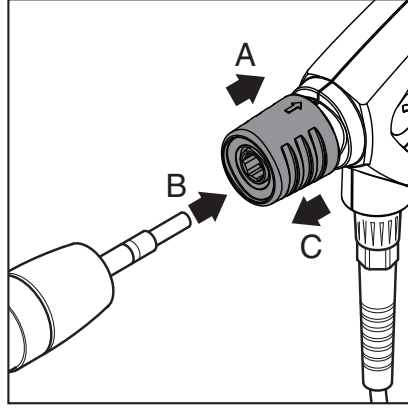
Kablo uzunluđum	Kesit	
	< 16 A	< 25 A
20'ye kadar	1.5 mm <sup>2</sup>	2.5 mm <sup>2</sup>
20 - 50 arası	2.5 mm <sup>2</sup>	4.0 mm <sup>2</sup>

#### DİKKAT

- Kablo makarasý kullanýldýđýnda: Ađýry ýsýnma ve yangýn tehlikesinden dolayı bađlantý kablosunu daima tamamýyla çýkartýnýz.
- Kablo bađlantıları kuru halde ve zeminden yukarı bir seviyede tutulmalıdır.

## 4 Kullanımı / Çalıştırılması

Püskürtme borusunun püskürtme tabancasına bağlanması

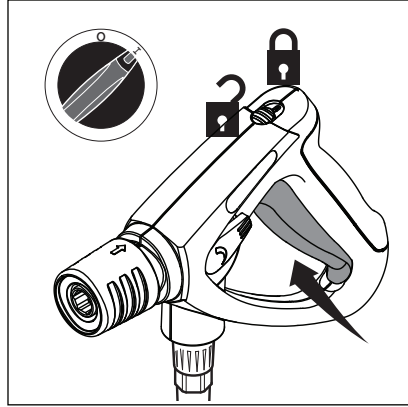


1. Püskürtme tabancasının mavi renkteki hızlı açılan kavramasını (A) geriye çekin.
2. Püskürtme borusunun nipelini, hızlı açılan bağlantıya takın ve bırakın.
3. Püskürtme tabancasına sıkı biçimde oturduğunu kontrol etmek için püskürtme borusunu (ya da diğer bir aksesuarı) ileri doğru çekin.

### DİKKAT

Püskürtme borusunu püskürtme tabancasına bağlamadan önce nipeldeki pislik parçacıklarını daima temizleyiniz.

Cihazın bir su borusuna takılmasında çalıştırılması

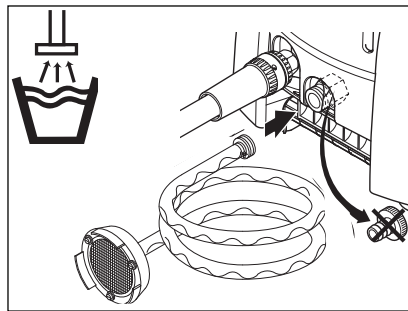


1. Ana şalteri "I" konumuna getiriniz.
2. Püskürtme tabancasının kilidini açınız ve tetiğini çekiniz.
3. Emniyet kilidini çalıştırmaya sadece kısa süre ara verdiğinizde de kilitleyiniz.

### DİKKAT

Sistemin havasını almak için püskürtme tabancasının tetiğini kısa aralıklarda birkaç kez çekiniz.

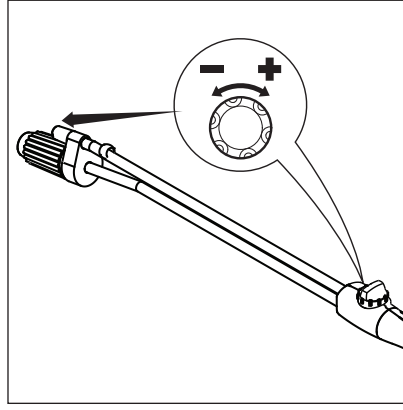
Cihazın açık kaplara bağlanmasında çalıştırılması (emme işletmesi)



1. GRACO emme setini cihaza bağlamadan önce suyla doldurunuz.
2. Ana şalteri "I" konumuna getiriniz.
3. Püskürtme tabancasının kilidini açınız ve tetiğini çekiniz.

Max. emme yüksekliği (Havası alınmış) = 1 m.

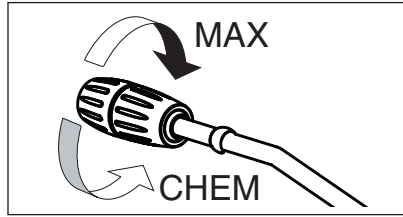
### Powerspeed Vario Plus mızrağıyla basıncın ayarlanması



Püskürtme tertibatındaki ayar düğmesini çeviriniz:

- Yüksek basınç = saat ibresi yönünde (+)
- Alçak basınç = saat ibresinin tersi yönünde (-)

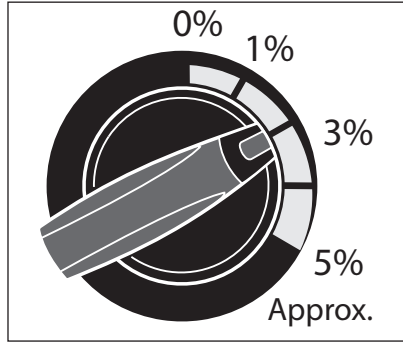
### FlexoPower Plus enjektöründen basınç ayarı



FlexoPower Plus enjektörünün manşonunu çeviriniz:

- Yüksek basınç = MAX.
- Alçak basınç = MIN. (CHEM)

### Temizlik maddelerinin kullanılması



bulunan enjektör üzerinden emdirilebilir:

1. Temizlik maddesini üreticinin talimatlarına göre önceden seyreltiniz.
2. Basınç ayarını, düşük basınca getirin.
3. İstenilen temizlik maddesi miktarını doza ayar süpabından ayarlayınız.
4. Ana şalteri "I" konumuna getiriniz.
5. Püskürtme tabancasının tetiğine basınç

Sadece alçak basınç işletmesinde temizlik maddeleri seri olarak

#### DİKKAT

Temizlik maddeleri kurumamalı. Aksi takdirde temizlenecek olan yüzey hasar görebilir

# 5 Kullanım alanları ve çalışma yöntemleri

## Genel uyarılar

Yüksek basınçla etkili bir temizlik sadece bir kaç direktife uyularak ve özel alanlardaki kendi deneyimlerinle elde edilebilir. Aksesuarlar ve temizlik malzemeleri doğru kullanıldığında temizlik etkisini kuvvetlendirebilirler. Burada birkaç temel uyarılar bulacaksınız.

## Yumuşatma

Kabuk bağlamış ve kalın kir tabakaları bunları belirli bir süre yumuşatmaya bırakırsanız çözülebilir veya daha yumuşak olurlar. Özellikle tarımda ideal bir yöntem - örneğin domuz ahırlarında. En iyi etki köpüklü ve alkalik temizleyiciler kullanıldığında elde edilebilir. Yüzele temizlik maddesi çözeltisi püskürtünüz ve 30 dakika etki etmesini bekleyiniz. Sonra yüksek basınç püskürtmesiyle çok daha hızlı temizlik yapılabilir.

## Temizlik maddesi ve köpük püskürtülmesi

Temizlik maddesi ve köpük, temizlik maddesi seyreltilmeden kirle temas edebilmesi için kuru yüzey üzerine püskürtülmelidir. Dikey yüzeylerde, temizlik maddesi çözeltisinin akmasından dolayı çizgili görünüm oluşmaması için aşağıdan yukarı doğru püskürtünüz. Yüksek basınçlı püskürtmeyle temizlemeden önce birkaç dakika etki etmesini bekleyiniz. Temizlik maddesinin kuruyup kalmamasına dikkat ediniz.

## Isı

Temizlik etkisi daha yüksek sıcaklarda artmaktadır. Özellikle sıvı ve katı yağlar daha kolay ve hızlı çözülebilir. Proteinler 60°C'lik sıcaklarda, sıvı ve katı yağlar 70° ile 90°C arasında en iyi şekilde çözülebilirler.

## Mekanik etki

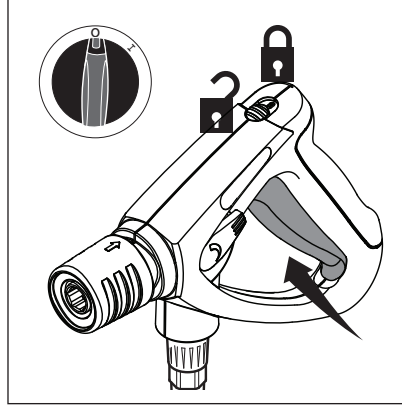
Çok sert kir tabakalarını çözebilmek için ek olarak mekanik etki gerekmektedir. Özel püskürtme boruları ve (rotatif) temizlik fırçaları kir tabakalarını çözmek için en iyi etkiyi göstermektedirler.

## Büyük su kuvveti ve yüksek basınç

Yüksek basınç her zaman en iyi çözüm değildir ve fazla yüksek basınç yüzeylere hasar verebilir. Temizlik etkisi aynı şekilde su kuvvetine bağlıdır. Araç temizliği için 100 bar'lık basınç yeterlidir (sıcak suyla birlikte). Daha büyük su kuvveti çözülmüş kirin durulanmasını ve taşınmasını sağlar.

## 6 İş bittikten sonra

### Cihazın kapatılması



1. Ana şalteri kapatınız, şalter konumu "OFF".
2. Su musluğunu kapatınız.
3. Püskürtme tabancasının tetiğine, makinede basınç kalmayana kadar basınız.
4. Püskürtme tabancasındaki emniyet kilidini kapatınız.

### Bağlantı kablosunun ve yüksek basınç hortumunun sarılması ve aksesuarın toplanması

1. Bağlantı kablosunu şekilde gösterildiği gibi sarınız.
2. Yüksek basınç hortumunu şekilde gösterildiği gibi sarınız.
3. Püskürtme borusunu ve aksesuarı tutma yerlerine yerleştiriniz.

#### DİKKAT

Takılma tehlikesi. Kazaları önlemek için her zaman elektrik kablosunu ve hortumu dikkatlice sarın.

### Muhafaza edilmesi

Cihazı kuru ve dondan korunmuş bir yerde muhafaza ediniz.

### Cihazın muhafaza edilmesi (dondan korunarak depolanması)

Yüksek basınçlı temizleyici içinde 0°C civarında veya altındaki sıcaklıkların olduğu bir odaya bırakıldığında önce pompadan antifriz emdirilmesi gerekmektedir:

1. Su giriş hortumunu cihazdan çıkartınız.
2. Püskürtme borusunu çıkartınız.
3. Cihazı çalıştırınız, şalter "I" konumunda.
4. Temizleyicinin su girişine kısa bir emme hortumu takın ve diğer ucunu anti-friz içeren tanka yerleştirin.
5. Cihazı çalıştırınız, şalter konumu "I".
6. Püskürtme tabancasının içinde antifriz olan kaba tutunuz ve emme işlemi başlatmak için tetiğine basınız.
7. Emme işlemi sırasında püskürtme tabancasının tetiğine 2 – 3 kez basınız.
8. Emme hortumunu içinde antifriz olan kaptan çıkartınız ve içinde kalan antifrizi pompalamak için püskürtme tabancasının tetiğine birkaç kez basınız.
9. Cihazı kapatınız.

#### DİKKAT

- Her türlü riski önlemek için cihazın tekrar çalıştırılmadan önce mümkün olduğunda ısıtılmış bir odada bekletilmesi gerekmektedir.
- DONMUŞ DURUMDA BİR MAKİNEYİ KESİNLİKLE ÇALIŞTIRMAYIN.



# 7 Arızaların giderilmesi

Arıza	Sebebi	Giderilmesi
Basınç düpübü	<ul style="list-style-type: none"> <li>Sistemde hava var</li> <li>Yüksek basınç enjektörü tıkalı/aşınmış</li> <li>Temizlik maddesi deposu boş</li> </ul>	<ul style="list-style-type: none"> <li>Sistemin havasını çýkartınız, bunun için püskürtme tabancasının tetiğine kısa aralıklarla birkaç kez basınız, gerektiğinde makineyi yüksek basınç hortumu takılı değilken kısa bir süre için çalıştırınız</li> <li>Yüksek basınç enjektörünü temizleyiniz/değiştiriniz</li> <li>Temizlik maddesi deposunu doldurunuz veya doz ayar şapabını "0" konumuna getiriniz</li> </ul>
Basınç dalgalanmaları	<ul style="list-style-type: none"> <li>Pompa hava emiyor (sadece emme konumunda mümkün)</li> <li>Su eksikliði</li> <li>Su giriş hortumu fazla uzun veya kesiti çok dar</li> <li>Su filtresi tıkalı olduğundan dolayı su eksikliði</li> <li>Max. izin verilen emme seviyesine dikkat edilmediğinden dolayı su eksikliði</li> </ul>	<ul style="list-style-type: none"> <li>Emme kitinin hava kaçırıp kaçırmadığını kontrol ediniz</li> <li>Su musluğunu açınız</li> <li>Gerekli olan su giriş hortumunu kullanınız</li> <li>Su bağlantısındaki su filtresini temizleyiniz (asla su filtresi olmadan çalışmayınız!)</li> <li>Devreye alınması kısmına bakınız</li> </ul>
Açtıktan sonra motor çalışmıyor	<ul style="list-style-type: none"> <li>Fiş doğru takılmamış, elektrik kesintisi</li> </ul>	<ul style="list-style-type: none"> <li>Fiş, kabloyu ve iletkeni kontrol ediniz ve gerekirse bir elektrik uzmanı tarafından yeniletiniz</li> </ul>
Açtıktan sonra motor çalışmadığı halde vızıldayan bir ses yapıyor	<ul style="list-style-type: none"> <li>Bebeke sigortası kapalı</li> <li>Bebeke gerilimi düşük, veya faz arızası</li> <li>Pompa bloke olmuş veya donmuş</li> <li>Uzatma kablosunun kesiti veya uzunluğu hatalı</li> </ul>	<ul style="list-style-type: none"> <li>Bebeke sigortasını açınız</li> <li>Elektrik bağlantısını kontrol ettiriniz</li> <li>GRACO mübteri servisine haber veriniz</li> <li>Doğru kablo kesitini veya uzunluğunu kullanınız</li> </ul>
Motor duruyor	<ul style="list-style-type: none"> <li>Motor fazla ısındığından veya üzerine fazla yük bindiğinden aşırı parça kırma koruma tertibatı devreye girdi</li> <li>Yüksek basınç enjektörü kirlenmiş</li> </ul>	<ul style="list-style-type: none"> <li>Besleme gerilimi ile cihaz gerilimi arasındaki uyumu kontrol ettiriniz. Kapatınız ve en az 3 dakika soğumasını bekleyiniz</li> <li>Yüksek basınç enjektörünü değiştiriniz</li> </ul>
Temizlik maddesi enjektörü kullanılırken temizlik maddesi gelmiyor	<ul style="list-style-type: none"> <li>Enjektör kirli veya emme hortumu tıkalı</li> <li>Temizlik maddesi deposu boş</li> <li>Püskürtme borusundaki ayar düğmesi alçak basınca ayarlanmamış</li> </ul>	<ul style="list-style-type: none"> <li>Temizlik maddesi kabını doldurunuz</li> <li>Püskürtme borusundaki ayar düğmesini saat ibresinin tersi yönünde sonuna kadar çeviriniz</li> </ul>

## 8 Diğer hususlar

### Taşınması

apıtların içinde ve üzerinde güvenli bir şekilde taşınabilmesi için cihazın kaymayacak ve devrilmeyecek şekilde kayıplarla tutturulması tavsiye olunur.

Yatırılmıő konumda taşınması

- cihazı bađlantıların bulunduđu tarafa yatırmayınız veya koymayınız.
- emme hortumunu temizlik maddesi deposundan çıkartınız ve yanında bulunan kapakla kapatınız.
- cihazı çalıştırmadan önce: yağ biriktirme deposundaki yağın pompa gövdesine geri akması olduđuna dikkat ediniz. Yağ seviyesini kontrol ediniz, gerekirse yağ takviye ediniz.

Cihaz ve aksesuarı 0°C civarlarında veya altındaki sıcaklıklarda taşınacaksa 5. bölümünde tarif edildiđi gibi antifriz kullanılması tavsiye olunur.

### Bakım ve onarım

Makine üzerinde herhangi bir bakım işi yapmadan önce elektrik fişini mutlaka prizden çıkarın.

### Cihazın tekrar değerlendirilmeye tabi tutulması

Artık kullanılmayan cihazı derhal kullanılmaz hale getiriniz.

1. Artık kullanılmayan cihazı derhal kullanılmaz hale getiriniz.
2. Elektrik fişini çekiniz ve elektrik kablosunu kesiniz.
3. Elektrikli cihazları ev çöğüne atmayınız.



Elektrikli ve Elektrikli Kullanılmış Cihazlara ilişkin 2002/96/EC sayılı Avrupa Direktifi ne göre kullanılmış elektrikli cihazların ayrı olarak biriktirilmesi ve çevreye uygun bir tekrar değerlendirme işlemine tabi tutulmaları gerekmektedir.

Sorularınızda lütfen belediye idarenize veya en yakın satıcınıza sorunuz

### Garanti

Garanti ve tazminat hakları hususunda bizim genel ticari yönetmeliğimiz geçerlidir.

Teknik yeniliklerden dolayı deđişiklik yapılması mümkündür.

## AB - Uygunluk beyanı



# EC-DECLARATION OF CONFORMITY

EG-VERKLARING VAN OVEREENSTEMMING, DÉCLARATION DE CONFORMITÉ CE, EG-KONFORMITÄTSEKRLÄRUNG, DICHIARAZIONE DI CONFORMITÀ CE, EF-OVERENSSTEMMELSESEKRLÆRING, ΕΚ-ΔΗΛΩΣΗ ΣΥΜΜΟΡΦΩΣΗΣ, DECLARAÇÃO DE CONFORMIDADE - CE, DECLARACIÓN DE CONFORMIDAD DE LA CE, EY-VAATIMUSTENMUKAISUUSVAKUUTUS, EG-DEKLARATION OM ÖVERENSSTÄMMELSE, ES PROHLÁŠENÍ O SHODĚ, EÜ VASTAVUSDEKLARATSIOON, EC MEGFEJELŐSÉGI NYILATKOZAT, EK ATBILSTĪBAS DEKLARĀCIJA, ES ATITIKTIES DEKLARĀCIJA, DEKLARACJA ZGODNOŚCI UE, DIKJARAZZJONI-KE TA' KONFORMITA', IZJAVA ES O SKLADNOSTI, ES - VYHLÁŠENIE O ZHODE, ΕΟ-ΔΕΚΛΑΡΑЦИЯ ЗА СЪВМЕСТИМОСТ, DEIMHNIÚ COMHRÉIREACHTA CE, CE-DECLARAȚIE DE CONFORMITATE

## Model

AquaMax 2330E, 2335E

Modèle, Modell, Modello, Μοντέλο,  
Modelo, Malli, Mudel, Modelis, Mudell, Модел, Samhail

## Part

287428, 287429

Bestelnr., Type, Teil, Codice, Del, Μέρος, Peça,  
Referencia, Osa, Součást, Részegység, Daja, Dalis,  
Część, Taqsim, Čast, Част, Part, Parte

## Complies With The EC Directives:

Voldoet aan de EG-richtlijnen, Conforme aux directives CE, Entspricht den EG-Richtlinien, Conforme alle direttive CE, Overholder EF-direktiverne, Σύμφωνα με τις Οδηγίες της ΕΚ, Em conformidade com as Directivas CE, Cumple las directivas de la CE, Täyttää EY-direktiivien vaatimukset, Uppfyller EG-direktiven, Shoda se směrnicemi ES, Vastab EÜ direktiividele, Kielegítii az EK irányelvek követelményeit, Atbilst EK direktīvam, Atitinka šias ES direktyvas, Zgodność z Dyrektywami UE, Konformi mad-Direttivi tal-KE, V skladu z direktivami ES, Je v súlade so smernicami ES, Съвместимост с Директиви на ЕО, Tá ag teacht le Treoracha an CE, Respectă directivele CE

2006/42/EC Machine Directive

2006/95/EC Low Voltage Directive

2004/108/EC EMC Directive

## Standards Used:

Gebruikte maatstaven, Normes respectées, Verwendete Normen, Norme applicate, Anvendte standarder, Πρότυπα που χρησιμοποιήθηκαν, Normas utilizadas, Normas aplicadas, Sovellettavat standardit, Tillämpade standarder, Použité normy, Rakendatud standardid, Alkalmazott szabványok, Izmantotie standarti, Taikyti standartai, Uzyte normy, Standards Uzati, Uporabljeni standardi, Použité normy, Използвани стандарти, Caidheáin arna n-úsáid, Standarde utilizate

EN 12100, EN 60335-2-79, EN 55014-1, EN 55014-2, EN 61000-3-2, DIN EN 60335-2-79

## Notified Body for Directive

Aangemelde instantie voor richtlijn, Organisme notifié pour la directive, Benannte Stelle für diese Richtlinie, Ente certificatore della direttiva, Bemyndiget organ for direktiv, Διακοινωμένο όργανο Οδηγίας, Organismo notificado relativamente à directiva, Organismo notificado de la directiva, Direktiivien mukaisesti ilmoitettu tarkastuslaitos, Anmält organ för direktivet, Úředně oznámený orgán pro směrnici, Teavitatud asutus (direktiivi järgi), Az irányelvvvel kapcsolatban értesített testület, Pilnvarotā iestāde saskaņā ar direktīvu, Apie direktīvu Informuota institūcija, Ciało powiadomione dla Dyrektywy, Korp avzat bid-Direttiva, Priglašeni organ za direktivo, Notifikovaný orgán pre smernicu, Нотифициран орган за Директива, Comhlacht ar tugadh fógra dó, Organism notificat în conformitate cu directiva

--	--	--	--

## Approved By:

Goedgekeurd door, Approuvé par, Genehmigt von, Approvato da, Godkendt af, Έγκριση από, Aprovado por, Aprobado por, Hyväksynyt, Intygas av, Schwäilit, Kinnitanud, Jóváhagyta, Apstiprināts, Patvirtino, Zatwierdzone przez, Approvat minn, Odobril, Schválené, Одобрено от, Faofa ag, Aprobat de

Hans van Cranenbroek

Manufacturing, Engineering and Warehousing Manager

10 JANUARY 2011

### Manufactured By:

GRACO INC.  
88 - 11<sup>th</sup> Avenue N.E.  
Minneapolis, MN 55413  
USA






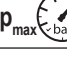











### Authorized Representative:

GRACO N.V.  
Slakweidestraat 31  
3630 Maasmechelen  
BELGIUM

199382

A

## Teknik özellikler

		AquaMax 2330E	AquaMax 2335E
	V/Ph/Hz	230/1/50	400/3/50
	A	16	10
	kW	3.3	4.2
<b>I</b>	A	15	7.6
		IP X5	IP X5
	bar/MPa	160/16	160/16
	bar/MPa	200/20	200/20
	l/h	560	700
	l/h	620	760
<b>Cleaning Impact</b>	kg/Force	3.0	3.6
		0350	0475
	°C	50	50
	bar / MPa	10/1	10/1
	mm	450 x 380 x 1040	450 x 380 x 1040
	kg	40.4	40.4
 <b>EN 60704-1</b>	dB(A)	74.6	75
 <b>L<sub>WA</sub></b>	dB(A)	87.9	90
<b>Vibration ISO 5349</b>	m/s <sup>2</sup>	< 2.5	< 2.5
<b>Recoil forces</b>	N	28	35
	l	0.225	0.225
		Agip Rotra 80W-90	

## Standart Graco Garantisi

Graco, kullaným için orijinal alýcýya satýp tarihinde bu dokümanda belirtilen Graco tarafýndan üretilen ve Graco adýný taþýyan tüm ekipmanda malzeme ve iþçilik hatalarýnýn bulunmadyđý garantisini verir. Graco tarafýndan yayınlanan her türlü özel, genisletilmip ya da sýnýrlý garanti hariç olmak üzere, Graco satýp tarihinden itibaren on iki ay süreyle Graco tarafýndan arýzalı olduđu belirlenen tüm ekipman parçalarını onaracak ya da deđiptirecektir. Ancak bu garanti, sadece ekipmanýnýn Graco'nun yazýlý tavsiyelerine göre monte edilmiþ, çalıþtırýlmýþ ve bakýmý yapılmýþ olması durumunda geçerlidir.

Bu garanti genel aþýnma ve yýpranmayý veya hatalý kurulum, yanlýþ uygulama, aþýnma, korozyon, yetersiz veya uygun olmayan bakým, ihmal, kaza, tahrif, veya Graco haricindeki parçaların kullanýlması sonucu ortaya çýkan hiçbir arýza, hasar, aþýnma veya yýpranmayý kapsamaz ve Graco bunlardan dolayı yükümlü olmayacaktır. Graco; gerek Graco ekipmanýnýn Graco tarafýndan tedarik edilmemiþ yapılar, aksesuarlar, ekipman veya malzemelerle uyumsuzluđundan gerekse de Graco tarafýndan tedarik edilmemiþ yapıların, aksesuarların, ekipmanýn veya malzemelerin uygunsuz tasarýmýndan, üretiminden, kurulumundan, kullanýmýndan ya da bakýmýndan dolayı kaynaklanan arýza, hasar veya aþýnmadan sorumlu olmayacaktır.

Bu garanti, iddia edilen arýzanýn dođrulanması için bir Graco yetkili bayiine arýzalı olduđu iddia edilen ekipmanýn nakliyesinin önceden ödenmiþ olması kopuluna bađlýdır. Bildirilen arýzanýn dođrulanması durumunda, Graco tüm arýzalı parçaları ücretsiz olarak onaracak ya da deđiptirecektir. Nakliyesi ön ödeme ile yapılmýþ ekipman orijinal alýcýya iade edilecektir. Eđer ekipmanýn muayenesi sonucunda malzeme ya da iþçilik hatasına rastlanmaz ise, onarým iþi parça, iþçilik ve nakliye maliyetlerini içerebilecek makul bir ücret karpýlýđýnda yapılacaktır.

**BU GARANTÝ TEK VE ÖZELDÝR VE BELÝRLÝ BÝR AMACA UYGUNLUK GARANTÝSÝ YA DA TÝCARÝ ELVERÝPLÝLÝK GARANTÝSÝ DE DAHÝL AMA BUNLARLA SINIRLI OLMAMAK ÜZERE AÇIKÇA YA DA ZIMNEN BELÝRTÝLEN DÝĐER TÜM GARANTÝLERÝN YERÝNE GEÇMEKTEDÝR.**

Herhangi bir garanti ihlali durumunda Graco'nun yegane yükümlülüđü ve alýcýnýn yegane çözüm hakký yukarıda belirtilen þekilde olacaktır. Alýcý başka hiçbir çözüm hakkýnýn (arýzi ya da sonuç olarak ortaya çýkan kar kayýpları, satýp kayýpları, kípilerin ya da mülkün zarar görmesi ya da diđer tüm arýzi ya da sonuç olarak ortaya çýkan kayýplar da dahil ama bunlarla sýnýrlý olmamak üzere) olmadýđýný kabul eder. Garanti ihlaline iliþkin her türlü iþlem, satýp tarihinden itibaren iki (2) yıl içinde yapılmalıdır.

**GRACO TARAFINDAN SATILAN FAKAT GRACO TARAFINDAN ÜRETÝLMEYEN AKSESUARLAR, EKÝP-MAN, MALZEMELER VEYA BÝLEPENLERLE ÝLGÝLÝ OLARAK, GRACO HÝÇBÝR GARANTÝ VERMEZ VE ÝMA EDÝLEN TÜM TÝCARÝ VE BELÝRLÝ BÝR AMACA UYGUNLUK GARANTÝLERÝNDEN FERAGAT EDER.** Graco tarafýndan satýlan fakat Graco tarafýndan üretilmeyen bu ürünler (elektrik motorları, benzin motorları, motorlar, anahtarlar, hortumlar vs.) eđer var ise üreticilerinin garantisi altýndadır. Graco, alýcýya bu garantilerin ihlali için her türlü talebinde makul bir þekilde yardımcı olacaktır.

Graco hiç bir durumda, gerek sözleşme ihlali, garanti ihlali ya da Graco'nun ihmali gerekse bir başka nedenden dolayı olsun, Graco'nun iþbu sözleşme uyarınca ekipman temin etmesinden ya da bu sözleşme ile satýlan herhangi bir ürün ya da diđer malların tedarik edilmesi, performansý ya da kullanýmýndan kaynaklanan dolaylý, arýzi, özel ya da sonuç olarak ortaya çýkan zararlardan sorumlu olmayacaktır.

**Graco reserves the right to make changes at any time without notice.**  
**Orijinal Kullanım Kılavuzu'nun çevirisi. This manual contains Turkish. MM 3A1490**  
**Graco Headquarters: Minneapolis**  
**International Offices: Belgium, China, Japan, Korea**  
**GRACO INC. P.O. BOX 1441 MINNEAPOLIS, MN 55440-1441**  
**www.graco.com**

# Obsah

<b>1</b>	<b>Důležitá bezpečnostní upozornění .....</b>	<b>225</b>
	<i>Grafické znázornění pokynů a upozornění .....</i>	<i>225</i>
	<i>Výstrahy.....</i>	<i>225</i>
<b>2</b>	<b>Popis .....</b>	<b>227</b>
	<i>Ovládací prvky .....</i>	<i>227</i>
	<i>Návod k použití .....</i>	<i>228</i>
	<i>Účel použití stroje .....</i>	<i>228</i>
	<i>Další podpora .....</i>	<i>228</i>
	<i>Před použitím.....</i>	<i>228</i>
<b>3</b>	<b>Před uvedením do provozu .....</b>	<b>229</b>
	<i>Ustavení.....</i>	<i>229</i>
	<i>Připojení vysokotlaké hadice .....</i>	<i>229</i>
	<i>BA ventil.....</i>	<i>230</i>
	<i>Montážní návod .....</i>	<i>230</i>
	<i>Údržba .....</i>	<i>230</i>
	<i>Připojení vodovodní hadice .....</i>	<i>231</i>
	<i>Elektrická přípojka .....</i>	<i>231</i>
	<i>Prodlužovací kabely.....</i>	<i>231</i>
<b>4</b>	<b>Obsluha / Provoz.....</b>	<b>232</b>
	<i>Připojení trubkovitého stříkacího nástavce ke stříkací pistoli .....</i>	<i>232</i>
	<i>Zapnutí přístroje s připojením k vodovodu.....</i>	<i>232</i>
	<i>Zapnutí přístroje s připojením k otevřeným nádržím (sací provoz).....</i>	<i>232</i>
	<i>Regulace tlaku s nástavcem Powerspeed Vario Plus.....</i>	<i>233</i>
	<i>Regulace tlaku na trysce FlexoPower Plus .....</i>	<i>233</i>
	<i>Používání čistících prostředků.....</i>	<i>233</i>
<b>5</b>	<b>Oblasti aplikace a metody práce .....</b>	<b>234</b>
	<i>Obecné pokyny.....</i>	<i>234</i>
	<i>Namáčení .....</i>	<i>234</i>
	<i>Nanášení čistících prostředků a pěny.....</i>	<i>234</i>
	<i>Teplota .....</i>	<i>234</i>
	<i>Mechanické působení.....</i>	<i>234</i>
	<i>Velký výkon vody a vysoký tlak.....</i>	<i>234</i>
<b>6</b>	<b>Po skončení práce .....</b>	<b>235</b>
	<i>Vypnutí přístroje.....</i>	<i>235</i>
	<i>Navinutí elektrického přívodního kabelu a vysokotlaké hadice a uložení příslušenství... </i>	<i>235</i>
	<i>Skladování .....</i>	<i>235</i>
	<i>Uschování stroje (uskladnění zajištěné proti mrazu) .....</i>	<i>235</i>
<b>7</b>	<b>Odstraňování poruch .....</b>	<b>236</b>
<b>8</b>	<b>Ostatní.....</b>	<b>237</b>
	<i>Přeprava .....</i>	<i>237</i>
	<i>Opravy a údržba .....</i>	<i>237</i>
	<i>Odevzdání spotřebiče k recyklaci.....</i>	<i>237</i>
	<i>Záruka.....</i>	<i>237</i>
	<i>Prohlášení o shodě s předpisy ES.....</i>	<i>238</i>
	<i>Technické údaje.....</i>	<i>239</i>
	<i>Standardní záruka Graco.....</i>	<i>240</i>

# 1 Důležitá bezpečnostní upozornění

## Grafické znázornění pokynů a upozornění

### NEBEZPEČÍ

Bezprostřední nebezpečí těžkého poranění s trvalými následky nebo smrtelné nebezpečí.

### VAROVÁNÍ

Možné nebezpečí těžkého poranění či usmrcení.

### POZOR

Možné nebezpečí lehkého poranění či vzniku materiálních škod.

## Výstrahy

### VAROVÁNÍ

- Je nutno zdržet se všech takových pracovních postupů, které jsou spojeny s pochybnostmi co se týče bezpečnosti.
- Na elektrických, mechanických ani tepelných bezpečnostních zařízeních není povoleno provádět žádné změny ani úpravy.
- Tento přístroj není určen k používání dětem nebo osobám se sníženými fyzickými, smyslovými, nebo duševními schopnostmi, nebo s nedostatkem zkušeností a znalostí, pokud jim není poskytnut příslušný dohled nebo pokyny.
- Tento stroj lze používat pouze s čisticími chemikáliemi dodávanými nebo doporučenými společností GRACO. Použití jiných čisticích chemikálií může záporně ovlivnit bezpečnost stroje.
- Nebezpečí výbuchu – Nepoužívejte čisticí přístroj k rozstříkování hořlavých kapalin.



## POZOR

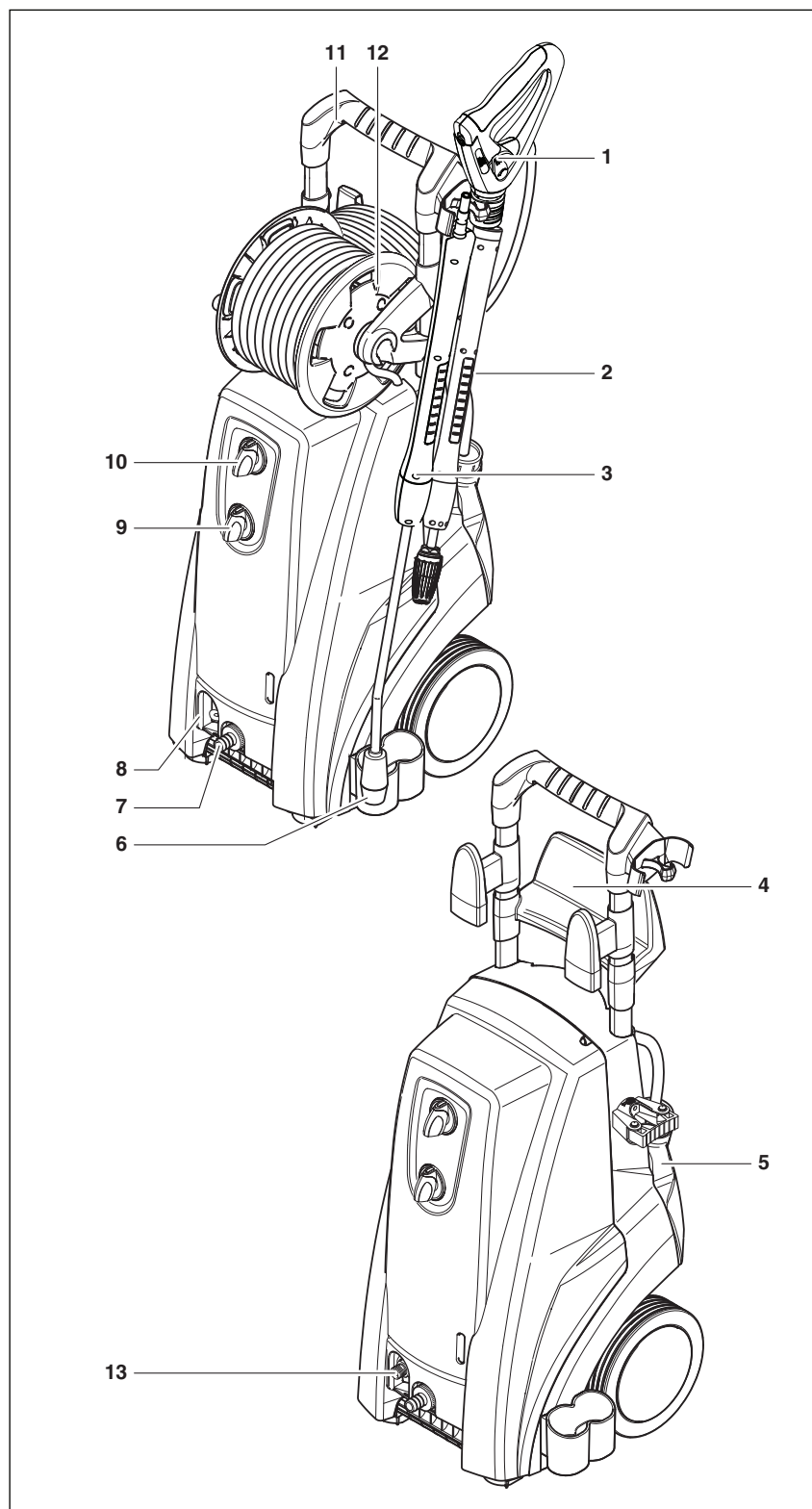
- Vysokotlaké trysky mohou být nebezpečné. Nikdy nesměřujte proud vody na osoby, zvířata, zařízení pod proudem nebo samotný stroj.
- Nikdy se nesnažte čistit oděv nebo obuv sami na sobě či na jiných osobách.
- Obsluha a kdokoli v bezprostřední blízkosti místa čištění musí přijmout opatření, která je ochrání před zasažením úlomky uvolněnými během provozu. Během práce je nutno nosit ochranné brýle
- Stroj nepřikrývejte nebo neprovazujte v nedostatečně větraných prostorech!
- Nikdy nepoužívejte stroj v prostředí, kde by mohlo existovat nebezpečí výbuchu. V případě jakýchkoli pochyb prosím kontaktujte místní úřady.
- Povrchy obsahující azbest není dovoleno čistit pod vysokými tlaky.
- Tato vysokotlaká myčka se nesmí používat při teplotách nižších než 0°C.
- Používejte pouze správné palivo dle specifikací. Použití nesprávného paliva může být velice nebezpečné.
- Protože při provozu stroje vznikají na stříkacím zařízení zpětné rázy, u zahnuté rozprašovací trubky současně ještě krouticí moment, držte stříkací zařízení pevně v obou rukou.
- Stroj nepoužívejte, nacházejí-li se na pracovní ploše osoby bez ochranného oděvu. Překontrolujte objekt, zda se při jeho čištění nebudou uvolňovat a do ovzduší rozptylovat nebezpečné látky, např. azbest, olej.
- Proudem kruhového průřezu nečistěte citlivé díly z pryže, látky apod. Při čištění dbejte na dostatečný odstup vysokotlaké trysky od povrchu, jinak by se čištěný povrch mohl poškodit.
- Stroj neuvádějte nikdy do provozu bez vody. Rovněž krátkodobý nedostatek vody vede k těžkému poškození manžety čerpadla.
- Každá práce, která z hlediska bezpečnosti vyvolává pochybnosti, je zakázána.
- Neuvazujte rukojeť spouště v poloze otevřeno.



## 2 Popis

### Ovládací prvky

- |   |   |
|---|---|
| 1. Stříkací pistole                             | vodní filtr                                 |
| 2. Přívodní elektrické vedení                   | 8. Přívod vody k hadicovému navijáku        |
| 3. Rozprašovací trubkový nástavec               | 9. Hlavní vypínač                           |
| 4. Držák na síťové přívodní vedení              | 10. Dávkování čistícího prostředku          |
| 5. Nádrž na čistící prostředek                  | 11. Posuvné držadlo                         |
| 6. Uložení rozprašovacího trubkovitého nástavce | 12. Buben pro navíjení hadice <sup>1)</sup> |
| 7. Vodovodní přípojka a vstupní                 | 13. Přípojka pro vysokotlakou hadici        |



<sup>1)</sup> Speciální příslušenství / varianty modelu  
Překlad originálního návodu k obsluze

## Návod k použití



Dříve, než přístroj uvedete do provozu, bezpodmínečně si přečtěte tento dokument a dobře jej uschovejte tak, abyste jej měli rychle po ruce.

Provoz stroje podléhá platným národním předpisům. Vedle provozního návodu a závazných předpisů bezpečnosti práce platných v zemi použití je nutno respektovat také uznávaná odborně-technické zásady bezpečné a odborně správné práce.

## Účel použití stroje

Toto vysokotlaké čisticí zařízení bylo navrženo pro profesionální použití. Lze jej používat pro čištění zemědělského a stavebního vybavení, stájí (chlívů), vozidel, znečištěných povrchů apod.

Toto čisticí zařízení nebylo schváleno k čištění povrchů, které jsou ve styku s potravinami.

Jakékoliv použití nad tento vymezený rámec je považováno za použití neodpovídající určení. Výrobce za škody vyplývající z takového způsobu použití neručí. Ke správnému používání patří také dodržování výrobcem předepsaných podmínek provozu, ošetřování a údržby.

## Další podpora

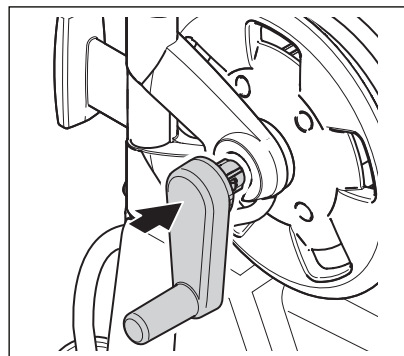
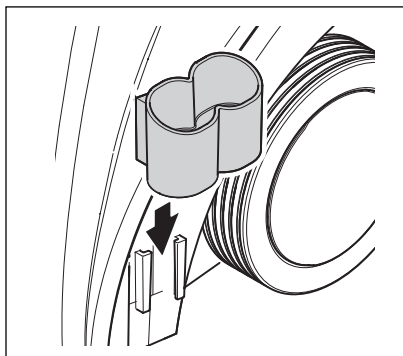
Se svými případnými dalšími dotazy se můžete obracet na servis fi rmy GRACO působící ve Vaší zemi.

## Před použitím

Před spuštěním stroje zkontrolujte laskavě pečlivě, zda nemá nějakou závadu.

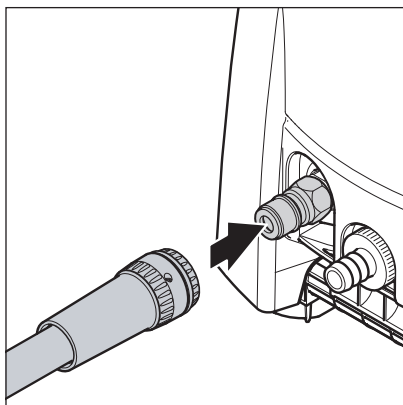
### 3 Před uvedením do provozu

#### Ustavení

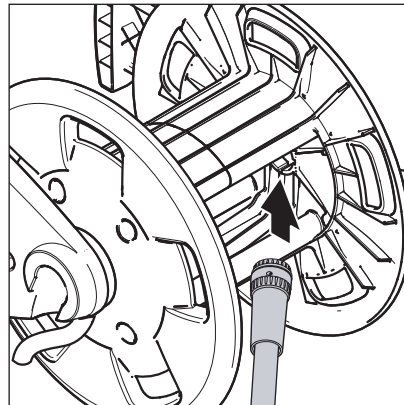


#### Připojení vysokotlaké hadice

Přístroje bez bubnu pro navíjení hadice.



Přístroje s bubnem pro navíjení hadice.



**BA ventil**

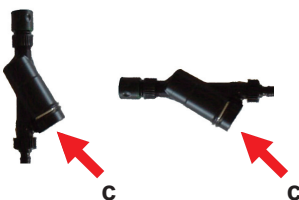
Tento vysokotlaký mycí/čisticí přístroj lze připojovat pouze ke zdroji pitné vody po instalaci příslušné zpětné klapky, typ BA dle EN 1717.

BA ventily je možné objednat pod následujícími čísly:

- BA ventil včetně spojek GARDENA: 106411177
- BA ventil včetně spojek NITO: 106411178
- BA ventil včetně spojek GEKA: 106411179
- BA ventil bez spojek: 106411184

Spojky je možné objednat pod následujícími čísly:

- 3/4" GARDENA (a): 32541
- 3/4" GARDENA (b): 1608629
- 3/4" NITO (a): 1602945
- 3/4" NITO (b): 1600659
- 1/2" NITO (b): 1604669
- 3/4" GEKA (a): 1718
- 3/4" GEKA (b): 1311

**Montážní návod**

1. Namontujte vnitřní spojku na vodovodní kohoutek.
2. Připojte (a) na BA ventilu k vodovodnímu kohoutku.
3. Namontujte vnější spojku na hadici pro přívod vody.
4. Připojte (b) na BA ventilu k hadici pro přívod vody.
5. Připojte hadici pro přívod vody k vysokotlakému mycímu stroji.
6. Pusťte vodu a spusťte stroj.

**POZOR**

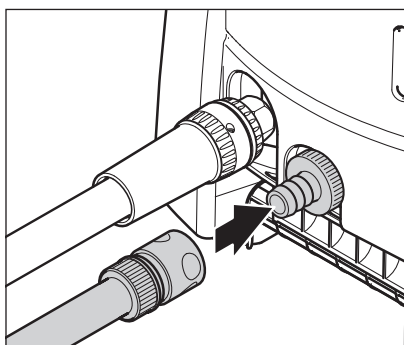
- Prvek k prevenci zpětného proudu může být namontován buď svisle, nebo vodorovně a vypouštěcí otvor (c) musí směřovat dolů.
- Proud vody z vypouštěcího otvoru (c) nesmí být ničím omezován.
- Pokud hrozí nebezpečí vniknutí písku do přívodu vody (tj. také z vašeho vlastního), musí být namontován přídatný filtr mezi vodovodní kohoutek a prvek k prevenci zpětného proudu.
- Délka hadice mezi zpětnou klapkou a vysokotlakým mycím zařízením musí činit alespoň 12 metrů (min. průměr 3/4 palce), aby zmírnila možná tlaková maxima.
- Jakmile voda proteče ventilem BA, již se více nepovažuje za pitnou.
- Vždy chraňte prvek k prevenci zpětného proudu před mrazem.
- Udržujte prvek k prevenci zpětného proudu čistý a bez usazenin.

**Údržba**

Alespoň jednou ročně následovně zkontrolujte funkčnost:

1. Vysokotlaký čisticí stroj po práci vypněte.
2. Zavřete ventil vodovodního kohoutku.
3. Upusťte tlak v přívodní hadici spuštěním stříkací pistole.
4. Odmontujte prvek k prevenci zpětného proudu. Voda musí vytéct vypouštěcím otvorem (c) (max. 100 ml), aby bylo zajištěno její oddělení od pitné vody.
5. Pokud se tak nestane, zkuste vyčistit BA ventil nebo kontaktujte svého zástupce společnosti GRACO.

## Připojení vodovodní hadice



1. Vodovodní hadici před připojením k přístroji krátce propláchněte vodou, aby se do přístroje nedostal písek ani jiné nečistoty.
2. Vodovodní hadici připojte pomocí rychlouzavírací spojky k vodovodní přípojce.
3. Otevřete kohoutek pro přívod vody.

### POZOR

- V případě špatné kvality vody (naplavený písek atd.) doporučujeme do přítoku vody namontovat jemný vodní filtr.
- Pro připojení přístroje doporučujeme použít vodovodní hadici ze zesílené tkaniny o jmenovité šířce minimálně 3/4" (19mm).

## Elektrická přípojka



U přístrojů s přepínáním napětí je bezpodmínečně nutno dbát na to, aby bylo na přístroji, dříve než síťovou zástrčku zasunete do síťové zásuvky, nastavené správné síťové napětí. Jinak by mohlo dojít ke zničení elektrických součástí přístroje.

### POZOR

- Stroj připojujte pouze k takovému elektrickému systému, který je uzemněn.
- Elektroinstalaci musí provést kvalifikovaný kovaný elektrotechnik.
- V souladu s normou IEC- 60364-1 se důrazně doporučuje, aby bylo elektrické napájení tohoto zařízení vybaveno ochranou proti zbytkovému proudu (přerušovačem zemního obvodu).
- Síťový přívodní kabel se nesmí poškozovat (např. přejetím, natahování, mačkáním).
- Síťový přívodní kabel vytahujte přímo za zástrčku (nikoliv táhnutím a potahováním za přívodní kabel).

## Prodlužovací kabely

Za účelem prodloužení vedení je dovoleno použít pouze takové vedení, jehož provedení bude odpovídat specifikaci výrobce anebo kvalitnější vedení.

Při použití prodlužovacího kabelu dodržujte hodnoty minimálního průřezu:

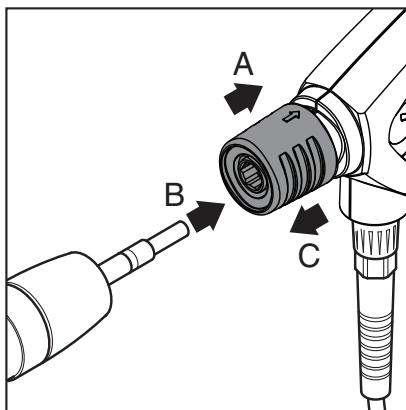
délka kabelu	průřez	
	< 16 A	< 25 A
až 20 m	1.5 mm <sup>2</sup>	2.5 mm <sup>2</sup>
20 až 50 m	2.5 mm <sup>2</sup>	4.0 mm <sup>2</sup>

### POZOR

- Při použití kabelových bubnů: Z důvodu nebezpečí přehřátí a požáru je nutno připojovací vedení vždy kompletně odvinout.
- Připojení kabelu je třeba uchovávat v suchu; nesmí ležet na zemi.

## 4 Obsluha / Provoz

Připojení trubkovitého stříkacího nástavce ke stříkací pistoli

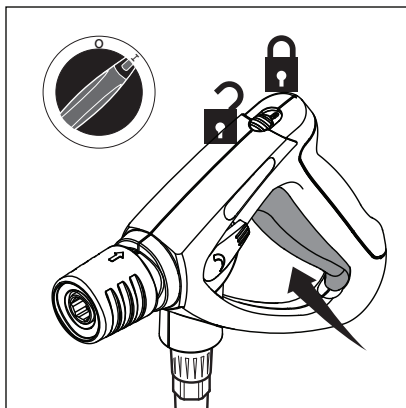


1. Odtáhněte zpět modrou rukojeť (A) rychlospojky stříkací pistole.
2. Vložte vsuvku postříkového nástavce (B) do spoje rychlospojky a uvolněním vraťte rukojeť zpět.
3. Tahem za postříkový násadec (nebo jiné příslušenství) zkontrolujte, zda je bezpečně připojen ke stříkací pistoli.

### POZOR

Před spojením trubkovitého stříkacího nástavce se stříkací pistolí je nutno vždy očistit vsuvku od případných nečistot.

Zapnutí přístroje s připojením k vodovodu

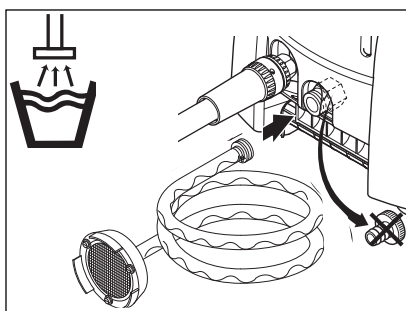


1. Hlavní vypínač uveďte do polohy "I".
2. Odblokujte stříkací pistoli a stiskněte spoušť.
3. Bezpečnostní západku používejte i při krátkodobém přerušení práce.

### POZOR

Za účelem odvětrání systému stiskněte spoušť stříkací pistole v krátkých časových intervalech několikrát za sebou.

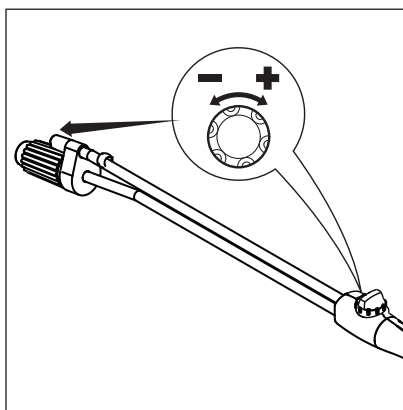
Zapnutí přístroje s připojením k otevřeným nádržím (sací provoz)



1. Předtím, než sací soupravu GRACO připojíte k přístroji, naplňte ji vodou.
2. Hlavní vypínač uveďte do polohy "I".
3. Odblokujte stříkací pistoli a stiskněte spoušť.

Max. nasávací výška (primed) = 1m.

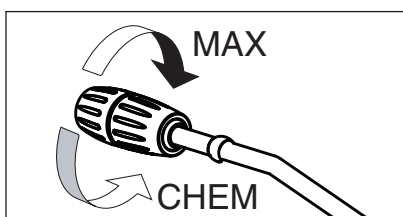
### Regulace tlaku s nástavcem Powerspeed Vario Plus



Točit otočným knoflíkem stříkacího zařízení:

- vysoký tlak = ve směru hodinových ručiček (+)
- nízký tlak = proti směru hodinových ručiček (-)

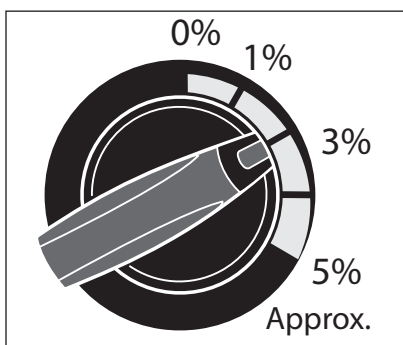
### Regulace tlaku na trysce FlexoPower Plus



Otáčením pouzdem trysky FlexoPower Plus:

- vysoký tlak = MAX.
- nízký tlak = MIN. (CHEM)

### Používání čistících prostředků



Nasávání čistících prostředků sériově montovaným injektorem

je možné pouze při provozu s nízkým tlakem:

1. Čistící prostředek podle předpisu výrobce předem zředte.
2. Nastavte regulátor tlaku na nízký tlak.
3. Otočením dávkovacího ventilu nastavte požadované množství čistícího prostředku.
4. Hlavní vypínač uveďte do polohy "I."
5. Stiskněte spoušť stříkací pistole.

#### POZOR

Čistící prostředky nesmí zaschnout. Jinak by mohlo dojít k poškození čištěného povrchu!

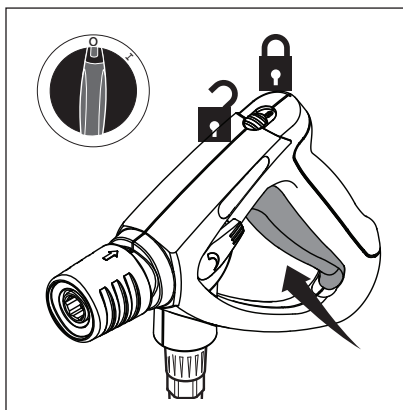
# 5 Oblasti aplikace a metody práce

<b>Obecné pokyny</b>	Efektivního čištění vysokým tlakem dosáhnete tak, že budete dodržovat několik málo zásadních pokynů, které zkombinujete s Vašimi vlastními zkušenostmi z příslušných speciálních oblastí. Příslušenstvím a čistícími prostředky je možné, při jejich správném používání, zesílit čistící účinek. Na tomto místě naleznete několik základních pokynů.
<b>Namáčení</b>	Zaschlé a silné vrstvy nečistot lze oddělit od povrchu či změkčit, pokud je na nějakou dobu namočíte. Toto je ideální metoda zejména v zemědělství - např. ve vepřínech. Nejlepšího účinku dosáhnete použitím pěnových a zásaditých čistících prostředků. Na povrchovou plochu nastříkejte čistící roztok a nechte jej 30 minut působit. Poté je možné pomoci proudem vody o vysokém tlaku čistit podstatně rychleji.
<b>Nanášení čistících prostředků a pěny</b>	Čistící prostředky a pěna by se měly nanášet na suchý povrch, aby se čistící prostředek dostal do kontaktu s nečistotou bez dalšího zředění. Na kolmých plochách pracujte směrem zdola nahoru, abyste zabránili šmouhám po stékání čistícího prostředku. Před čištěním proudem média o vysokém tlaku nechte několik minut působit. Čistící prostředek nenechte zaschnout.
<b>Teplota</b>	Účinek čištění roste s vyššími teplotami. Zejména tuky a oleje se oddělují od povrchu snadněji a rychleji. Proteiny se od povrchu oddělují nejlépe při teplotách okolo 60 °C, oleje a tuky při 70 °C až 90 °C.
<b>Mechanické působení</b>	Pro rozpouštění silných vrstev nečistot je zapotřebí doplňkového mechanického působení. Speciální rozprašovací trubky a (rotující) mycí kartáče jsou při oddělování vrstvy nečistot od povrchu nejefektivnější.
<b>Velký výkon vody a vysoký tlak</b>	Vysoký tlak není vždy nejlepším řešením a příliš vysoký tlak může povrchovou plochu poškodit. Čistící účinek závisí také na výkonu vody. Tlak o velikosti 100 barů je pro čištění vozidel dostačující (ve spojení s teplou vodou). Větší výkon vody umožňuje oplachování a transport uvolněných nečistot.



## 6 Po skončení práce

### Vypnutí přístroje



1. Vypněte hlavní vypínač, vypínač do polohy "OFF".
2. Zavřete kohoutek přívodu vody.
3. Spoušť stříkácí pistole stiskněte a podržte, dokud se přístroj nedostane do beztlakového stavu.
4. Stříkácí pistoli zajistěte bezpečnostní západkou.

### Navinutí elektrického přívodního kabelu a vysokotlaké hadice a uložení příslušenství

1. Elektrické přívodní vedení navíňte způsobem zachyceným na obrázku.
2. Vysokotlakou hadici navíňte způsobem zachyceným na obrázku.
3. Trubkový stříkácí nástavec a příslušenství vložte do příslušných držáků resp. úchytlů.

#### POZOR

Nebezpečí spouštění. Abyste předešli nehodám, vždy pečlivě sviňte elektrický kabel a hadici.

### Skladování

Přístroj skladujte v suchu a chraňte před mrazem.

### Uschování stroje (uskladnění zajištěné proti mrazu)

V případě, že se vysokotlaký čistič odstaví do takové místnosti, kde se vyskytují teploty okolo nebo pod 0° C, je nutno, aby byla před uskladněním čerpadlem do přístroje nasána nemrznoucí směs:

1. Od přístroje odpojit hadici pro přítok vody.
2. Odejmout trubkový stříkácí nástavec.
3. Zapnout přístroj, poloha vypínače "I".
4. Připojte krátkou sací hadici k přívodu vody čisticího stroje a umístěte druhý konec do nádrže s nemrznoucí směsí.
5. Zapnout přístroj, poloha vypínače "I".
6. Stříkácí pistoli držet nad nádobou s nemrznoucí směsí a stisknout spoušť, čímž se spustí proces nasávání.
7. Během procesu nasávání 2krát až 3krát stisknout spoušť stříkácí pistole.
8. Sací hadici zvednout z nádoby na nemrznoucí směs a stisknout spoušť stříkácí pistole, dokud se neodčerpá zbývající nemrznoucí směs.
9. Přístroj vypnout.

#### POZOR

- Za účelem vyloučení všech možných rizik je nutno přístroj v mezičase až do opětovného uvedení do provozu uskladnit ve vytápěné místnosti.
- Nikdy nespouštějte zamrzlý stroj.

# 7 Odstraňování poruch

Porucha	Příčina	Odstranění
Pokles tlaku	<ul style="list-style-type: none"> <li>Vzduch v systému</li> <li>VT tryska zanesená/ opotřebovaná</li> <li>Nádrž na čisticí prostředek je prázdná</li> </ul>	<ul style="list-style-type: none"> <li>Odvzdušnit systém, za tímto účelem několikrát v krátkých časových odstupech stisknout spoušť stříkací pistole, event. stroj krátkodobě uvést do provozu bez připojené vysokotlaké hadice.</li> <li>Vyčistit/vyměnit VT trysku</li> <li>Doplňte čisticí prostředek do nádrže nebo uveďte dávkovací ventil do polohy "0"</li> </ul>
Kolísání tlaku	<ul style="list-style-type: none"> <li>Čerpadlo nasává vzduch (možné pouze při sacím provozu)</li> <li>Nedostatek vody</li> <li>Hadice pro přítok vody je příliš dlouhá nebo příliš malého průřezu</li> <li>Nedostatek vody v důsledku zaneseného vodního filtru</li> <li>Nedostatek vody v důsledku nedodržení max. přípustné výšky nasávání</li> </ul>	<ul style="list-style-type: none"> <li>Prověřit vzduchotěsnost sací sady</li> <li>Otevřít vodovodní kohoutek</li> <li>Použít předepsanou hadici pro přítok vody</li> <li>Vyčistit vodní filtr ve vodovodní přípojce (nikdy nepracovat bez filtru!)</li> <li>Viz Uvedení do provozu</li> </ul>
Motor se při zapnutí nerozbíhá	<ul style="list-style-type: none"> <li>Zástrčka není správně zapojená, přerušení přívodu proudu</li> </ul>	<ul style="list-style-type: none"> <li>Prověřit zástrčku, vedení a vypínač a příp. požádat odborného elektrikáře o výměnu</li> </ul>
Motor při zapnutí bručí, aniž by se rozběhl	<ul style="list-style-type: none"> <li>Je vypnutá síťová pojistka</li> <li>Síťové napětí je příliš nízké nebo výpadek fáze</li> <li>Čerpadlo je zablokované nebo zamrzlé</li> <li>Chybný průřez nebo délka prodlužovacího kabelu</li> </ul>	<ul style="list-style-type: none"> <li>Zapnout síťovou pojistku</li> <li>Nechat prověřit elektrickou přípojku</li> <li>Vyrozumět zákaznický servis GRACO</li> <li>Použít kabel správného průřezu resp. délky</li> </ul>
Motor se vypíná	<ul style="list-style-type: none"> <li>V důsledku přehřátí nebo přetížení motoru zareagovala ochrana proti přetížení</li> </ul>	<ul style="list-style-type: none"> <li>Nechat zkontrolovat, zda napájecí napětí odpovídá napětí přístroje. Vypnout a nechat minimálně 3 minuty vychladnout</li> </ul>
Při použití injektoru na čisticí prostředek nedochází k rozprašování čisticích prostředků	<ul style="list-style-type: none"> <li>Znečištěná vysokotlaká tryska</li> <li>Znečištěný injektor nebo zanesená sací hadice</li> <li>Prázdná nádrž na čisticí prostředek</li> <li>Otočný knoflík na trubkovitém stříkacím nástavci není nastavený na nízký tlak</li> </ul>	<ul style="list-style-type: none"> <li>Vyměnit vysokotlakou trysku</li> <li>Vyčistit</li> <li>Naplnit nádrž na čisticí prostředek</li> <li>Otočným knoflíkem na trubkovitém stříkacím nástavci otočit proti směru hodinových ručiček až na doraz</li> </ul>

## 8 Ostatní

### Přeprava

Přístroj je vybavený velkými pojezdovými kolečky, díky kterým je možno jej snadno přepravovat. Pro zajištění bezpečné přepravy ve vozidlech a na nich doporučujeme přístroj zafixovat pásy tak, aby bylo eliminováno jeho případné posunutí nebo naklopení, a současně aktivovat brzdu.

Jestliže budete přístroj a příslušenství přepravovat za teploty okolo nebo pod 0°C, doporučujeme použít nemrznoucí směs jak je popsáno v kapitole 5.

### Opravy a údržba

Předprováděním údržby nebo čištění vždy vytahujte vidli ciz elektrické zásuvky.

### Odevzdání spotřebiče k recyklaci

Spotřebič, který dosloužil, okamžitě znehodnoťte.

1. Vytáhněte síťovou zástrčku
2. Zásuvky a přestříhneťte přívodní kabel.
3. Elektrické spotřebiče nevyhazujte do domovního odpadu.



Podle ustanovení směrnice EU 2002/96/EG o odpadech z elektrických a elektro nických zařízení se použité elektrické spotřebiče musí sbírat odděleně a předat k ekologické recyklaci. S případnými dotazy se, prosím, obraťte na své obecní zastupitelství nebo na nejbližšího prodejce.

### Záruka

Na záruku a ručení se vztahují naše všeobecné prodejní a dodací podmínky.

Změny dané technickými inovacemi vyhrazeny.

## Prohlášení o shodě s předpisy ES



# EC-DECLARATION OF CONFORMITY

EG-VERKLARING VAN OVEREENSTEMMING, DÉCLARATION DE CONFORMITÉ CE, EG-KONFORMITÄTSERKLÄRUNG, DICHIARAZIONE DI CONFORMITÀ CE, EF-OVERENSSTEMMELSEERKLÆRING, ΕΚ-ΔΗΛΩΣΗ ΣΥΜΜΟΡΦΩΣΗΣ, DECLARAÇÃO DE CONFORMIDADE – CE, DECLARACIÓN DE CONFORMIDAD DE LA CE, EY-VAATIMUSTENMUKAISUUSVAKUUTUS, EG-DEKLARATION OM ÖVERENSSTÄMMELSE, ES PROHLÁŠENÍ O SHODĚ, EÜ VASTAVUSDEKLARATSIOON, EC MEGFEIELŐSÉGI NYILATKOZAT, EK ATBILSTĪBAS DEKLARĀCIJA, ES ATĪTKĪTĪES DEKLARĀCIJA, DEKLARACJA ZGODNOŚCI UE, DIKJARAZZJONI-KE TA' KONFORMITA', IZJAVA ES O SKLADNOSTI, ES - VYHLÁSENIE O ZHODE, EO-ДЕКЛАРАЦИЯ ЗА СЪВМЕСТИМОСТ, DEIMHNIÚ COMHRÉIREACHTA CE, CE-DECLARAȚIE DE CONFORMITATE

## Model

Modèle, Modell, Modello, Μοντέλο, Modelo, Malli, Mudel, Modelis, Mudell, Модел, Samhail

**AquaMax 2330E, 2335E**

## Part

Bestelnr., Type, Teil, Codice, Del, Μέρος, Peça, Referencia, Osa, Součást, Részegység, Daja, Dalis, Część, Taqsim, Časť, Част, Páirt, Parte

**287428, 287429**

## Complies With The EC Directives:

Voldeet aan de EG-richtlijnen, Conforme aux directives CE, Entspricht den EG-Richtlinien, Conforme alle direttive CE, Overholder EF-direktiverne, Σύμφωνα με τις Οδηγίες της ΕΚ, Em conformidade com as Directivas CE, Cumpre las directivas de la CE, Täyttää EY-direktiivien vaatimukset, Uppfyller EG-direktiven, Shoda se směrnicemi ES, Vastab EÜ direktiividele, Kieľégíti az EK irányelvek követelményeit, Atbilst EK direktīvam, Atitinka šias ES direktyvas, Zgodność z Dyrektywami UE, Konformi mađ-Direttivi tal-KE, V skladu z direktivami ES, Je v súlade so smernicami ES, Съвместимост с Директиви на ЕО, Tá ag teacht le Treoracha an CE, Respectá directivele CE

2006/42/EC Machine Directive

2006/95/EC Low Voltage Directive

2004/108/EC EMC Directive

## Standards Used:

Gebruikte maatstaven, Normes respectées, Verwendete Normen, Norme applicate, Anvendte standarder, Πρότυπα που χρησιμοποιήθηκαν, Normas utilizadas, Normas aplicadas, Sovellettavat standardit, Tillämpade standarder, Použité normy, Rakendatud standardid, Alkalmazott szabványok, Izmantotie standarti, Taikyti standartai, Užyte normy, Standards Uzati, Uporabljeni standardi, Použité normy, Използвани стандарти, Caighdeán arna n-úsáid, Standarde utilizate

EN 12100, EN 60335-2-79, EN 55014-1, EN 55014-2, EN 61000-3-2, DIN EN 60335-2-79

## Notified Body for Directive

Aangemelde instantie voor richtlijn, Organisme notifié pour la directive, Benannte Stelle für diese Richtlinie, Ente certificatore della direttiva, Bemyndiget organ for direktiv, Διακοινωμένο όργανο Οδηγίας, Organismo notificado relativamente à directiva, Organismo notificado de la directiva, Direktiivin mukaisesti ilmoitettu tarkastuslaitos, Anmält organ för direktivet, Úředně oznámený orgán pro směrnici, Teavitatud asutus (direktiivi järgi), Az irányelvel kapcsolatban értesített testület, Pilnvarotā iestāde saskaņā ar direktīvu, Apie direktīvu Informuota institūcija, Ciało powiadomione dla Dyrektywy, Korp avzat bid-Direttiva, Priglašeni organ za direktivo, Notifikovaný orgán pre smernicu, Нотифициран орган за Директива, Comhlacht ar tugadh fógra dó, Organism notificat în conformitate cu directiva

--	--	--	--

## Approved By:

Goedgekeurd door, Approuvé par, Genehmigt von, Approvato da, Godkendt af, Έγκριση από, Aprovado por, Aprobado por, Hyväksynyt, Intygas av, Schválil, Kinnitanud, Jóváhagyta, Apstiprināts, Patvirtino, Zatwierdzone przez, Approvat minn, Odobril, Schválené, Одобрено от, Faofa ag, Aprobat de

**Hans van Cranenbroek**

Manufacturing, Engineering and Warehousing Manager

**10 JANUARY 2011**


















Manufactured By:  
GRACO INC.  
88 - 11<sup>th</sup> Avenue N.E.  
Minneapolis, MN 55413  
USA

Authorized Representative:  
GRACO N.V.  
Slakweidestraat 31  
3630 Maasmechelen  
BELGIUM

**199382**

**A**

## Technické údaje

		AquaMax 2330E	AquaMax 2335E
	V/Ph/Hz	230/1/50	400/3/50
	A	16	10
	kW	3.3	4.2
<b>I</b>	A	15	7.6
		IP X5	IP X5
	bar/MPa	160/16	160/16
	bar/MPa	200/20	200/20
	l/h	560	700
	l/h	620	760
<b>Cleaning Impact</b>	kg/Force	3.0	3.6
		0350	0475
	°C	50	50
	bar / MPa	10/1	10/1
	mm	450 x 380 x 1040	450 x 380 x 1040
	kg	40.4	40.4
 <b>EN 60704-1</b>	dB(A)	74.6	75
 <b>L<sub>WA</sub></b>	dB(A)	87.9	90
<b>Vibration ISO 5349</b>	m/s <sup>2</sup>	< 2.5	< 2.5
<b>Recoil forces</b>	N	28	35
	l	0.225	0.225
 <b>TYPE</b>	Agip Rotra 80W-90		

## Standardní záruka Graco

Společnost Graco zaručuje, že všechno vybavení uváděné v tomto dokumentu, které společnost Graco vyrábí a nese její jméno, je bez vady na materiálu a dílenském provedení ke dni prodeje originálnímu kupujícímu k používání. S výjimkou jakékoliv speciální, rozšířené nebo omezené záruky zveřejněné společností Graco, Graco po dobu dvanácti měsíců ode dne prodeje opraví nebo vymění jakoukoliv součást zařízení označenou Graco jako vadnou. Tato záruka platí pouze v případě, že je zařízení nainstalováno, provozováno a udržováno v souladu s písemnými doporučeními Graco.

Tato záruka nepokrývá běžné opotřebení nebo jakoukoliv vadnou funkci, škodu či opotřebení způsobené vadnou instalací, použitím k jinému než schválenému účelu, abrazí, korozí, nedostatečnou či nevhodnou údržbou, nedbalostí, nehodou, nevhodnou manipulací nebo náhradou jinými náhradními díly než Graco. Společnost Graco rovněž neponese odpovědnost za vadnou funkci, poškození nebo opotřebení způsobené neslučitelností vybavení Graco s konstrukcemi, příslušenstvím, vybavením nebo materiály nedodanými společností Graco, nevhodným designem, výrobou, instalací.

Tato záruka je podmíněna tím, že zařízení, o němž se tvrdí, že je vadné, bude vráceno předplacení oprávněnému distributorovi Graco k ověření reklamované vady. Pokud se reklamovaná vada potvrdí, Graco jakékoliv vadné části opraví či vymění zdarma. Zařízení bude vráceno původnímu kupujícímu, který předem uhradí dopravu. Jestliže kontrola zařízení neodhalí žádnou vadu na materiálu nebo dílenském provedení, opravy budou provedeny za přiměřenou cenu, kdy tyto poplatky mohou zahrnovat náklady na součásti, práci a přepravu.

**TATO ZÁRUKA JE VÝLUČNÁ A NAHRAZUJE VŠECHNY OSTATNÍ ZÁRUKY, VÝSLOVNÉ NEBO PŘEDPOKLÁDANÉ, NAPŘÍKLAD ZÁRUKU PRODEJNOSTI NEBO VHODNOSTI PRO KONKRÉTNÍ ÚČEL.**

Jediný závazek společnosti Graco a jediný opravný prostředek kupujícího při jakémkoliv porušení záruky je uvedeno shora. Kupující souhlasí s tím, že nebude mít k dispozici žádný jiný opravný prostředek (zejména náhodné či následné škody z titulu ušlého zisku, ušlého prodeje, poranění osob či poškození majetku nebo jakákoliv jiná náhodná či následná ztráta). Jakákoliv činnost kvůli porušení záruky musí být provedena do dvou (2) let ode dne prodeje.

**GRACO NEPOSKYTUJE ŽÁDNOU ZÁRUKU A ODMÍTÁ VŠECHNY PŘEDPOKLÁDANÉ ZÁRUKY PRODEJNOSTI A VHODNOSTI PRO KONKRÉTNÍ ÚČEL V SOUVISLOSTI S PŘÍSLUŠENSTVÍM, VYBAVENÍM, MATERIÁLY NEBO KOMPONENTY, KTERÉ BYLY PRODÁNY SPOLEČNOSTÍ GRACO AVŠAK NEBYLY TOUTO SPOLEČNOSTÍ VYROBENY.** Položky prodávané, ale nevyráběné společností Graco (například elektromotory, vypínače, hadice, atd.) se řídí zárukou, bude-li jaká, jejich výrobce. Graco poskytne kupujícímu přiměřenou pomoc při uplatňování jakékoliv reklamace při porušení těchto záruk.

Společnost Graco nebude v žádném případě odpovědná za nepřímé, vedlejší, zvláštní či následné škody, vyplývající z dodání zde uvedeného zařízení společností Graco či z poskytnutí, fungování nebo užívání jakýchkoliv výrobků nebo jiného zde prodaného zboží, ať už z důvodu porušení smlouvy, porušení záruky, nedbalosti společnosti Graco či jinak.

**Graco reserves the right to make changes at any time without notice.**  
**Překlad originálního návodu k obsluze. This manual contains Czech. MM 3A1490**  
**Graco Headquarters: Minneapolis**  
**International Offices: Belgium, China, Japan, Korea**  
**GRACO INC. P.O. BOX 1441 MINNEAPOLIS, MN 55440-1441**  
**www.graco.com**

# Spis treści

<b>1</b>	<b>Ważne wskazówki bezpieczeństwa .....</b>	<b>242</b>
	<i>Symbole wskazówek .....</i>	242
	<i>Ostrzeżenia.....</i>	242
<b>2</b>	<b>Opis .....</b>	<b>244</b>
	<i>Przeznaczenie .....</i>	244
	<i>Instrukcja obsługi .....</i>	245
	<i>Przeznaczenie urządzenia.....</i>	245
	<i>Dalsza pomoc.....</i>	245
	<i>Przed uruchomieniem.....</i>	245
<b>3</b>	<b>Przed pierwszym uruchomieniem .....</b>	<b>246</b>
	<i>Ustawienie .....</i>	246
	<i>Podłączenie węża wysokociśnieniowego .....</i>	246
	<i>Zawór BA.....</i>	247
	<i>Instrukcja instalacji.....</i>	247
	<i>Konserwacja .....</i>	247
	<i>Podłączenie węża dopływowego wody .....</i>	248
	<i>Podłączenie zasilania elektrycznego .....</i>	248
	<i>Przedłużacze .....</i>	248
<b>4</b>	<b>Obsługa / użytkowanie .....</b>	<b>249</b>
	<i>Podłączenie rury natryskowej do pistoletu natryskowego .....</i>	249
	<i>Włączanie urządzenia podłączonego do instalacji wodnej.....</i>	249
	<i>Włączanie urządzenia współpracującego z otwartym zbiornikiem wody (z zasysaniem) .....</i>	249
	<i>Regulacja ciśnienia na lancy Powerspeed Vario Plus .....</i>	250
	<i>Regulacja ciśnienia na dyszy FlexoPower Plus.....</i>	250
	<i>Zastosowanie środków czyszczących .....</i>	250
<b>5</b>	<b>Dziedziny zastosowania i metody pracy .....</b>	<b>251</b>
	<i>Uwagi ogólne.....</i>	251
	<i>Namaczanie.....</i>	251
	<i>Nanoszenie środków czyszczących oraz piany.....</i>	251
	<i>Temperatura.....</i>	251
	<i>Czyszczenie mechaniczne .....</i>	251
	<i>Duża siła strumienia wody i wysokie ciśnienie .....</i>	251
<b>6</b>	<b>Po zakończeniu pracy.....</b>	<b>252</b>
	<i>Wyłączanie urządzenia.....</i>	252
	<i>Zwijanie przewodu elektrycznego i węża wysokociśnieniowego oraz składanie wyposażenia dodatkowego.....</i>	252
	<i>Składowanie .....</i>	252
	<i>Przechowywanie urządzenia (zabezpieczenie przed zamarznięciem).....</i>	252
<b>7</b>	<b>Usuwanie usterek.....</b>	<b>253</b>
<b>8</b>	<b>Informacje dodatkowe .....</b>	<b>254</b>
	<i>Transport.....</i>	254
	<i>Naprawa i konserwacja.....</i>	254
	<i>Wykorzystanie zużytej maszyny .....</i>	254
	<i>jako surowca wtórnego .....</i>	254
	<i>Gwarancja.....</i>	254
	<i>Deklaracja zgodności UE.....</i>	255
	<i>Dane techniczne .....</i>	256
	<i>Standardowa gwarancja firmy Graco.....</i>	257

# 1 Ważne wskazówki bezpieczeństwa

## Symbole wskazówek

### NIEBEZPIECZEŃSTWO

Niebezpieczeństwo prowadzące bezpośrednio do ciężkich i nieodwracalnych obrażeń albo do śmiertelnego wypadku.

### OSTRZEŻENIE

Niebezpieczeństwo prowadzące do ciężkich obrażeń lub do śmiertelnego wypadku.

### UWAGA

Niebezpieczeństwo prowadzące do lekkich obrażeń lub strat materialnych.

## Ostrzeżenia

### OSTRZEŻENIE

- Należy zaniechać każdego sposobu pracy budzącego wątpliwości z punktu widzenia bezpieczeństwa.
- Zabronione są jakiegokolwiek zmiany w obrębie mechanicznych, elektrycznych lub termicznych urządzeń zabezpieczających.
- Niniejsze urządzenie nie jest przeznaczone do użytku przez dzieci oraz osoby o obniżonej sprawności fizycznej, sensorycznej bądź umysłowej, a także przez osoby bez odpowiedniego doświadczenia i wiedzy, chyba że będą nadzorowane lub zostaną poinstruowane.
- W pracy z maszyną należy wykorzystywać wyłącznie środki czyszczące dostarczane lub zalecane przez firmę GRACO. Wykorzystywanie innych środków czyszczących może zagrażać bezpiecznej pracy maszyny.
- Ryzyko wybuchu – Nie należy używać myjki do rozpylania cieczy łatwopalnych.





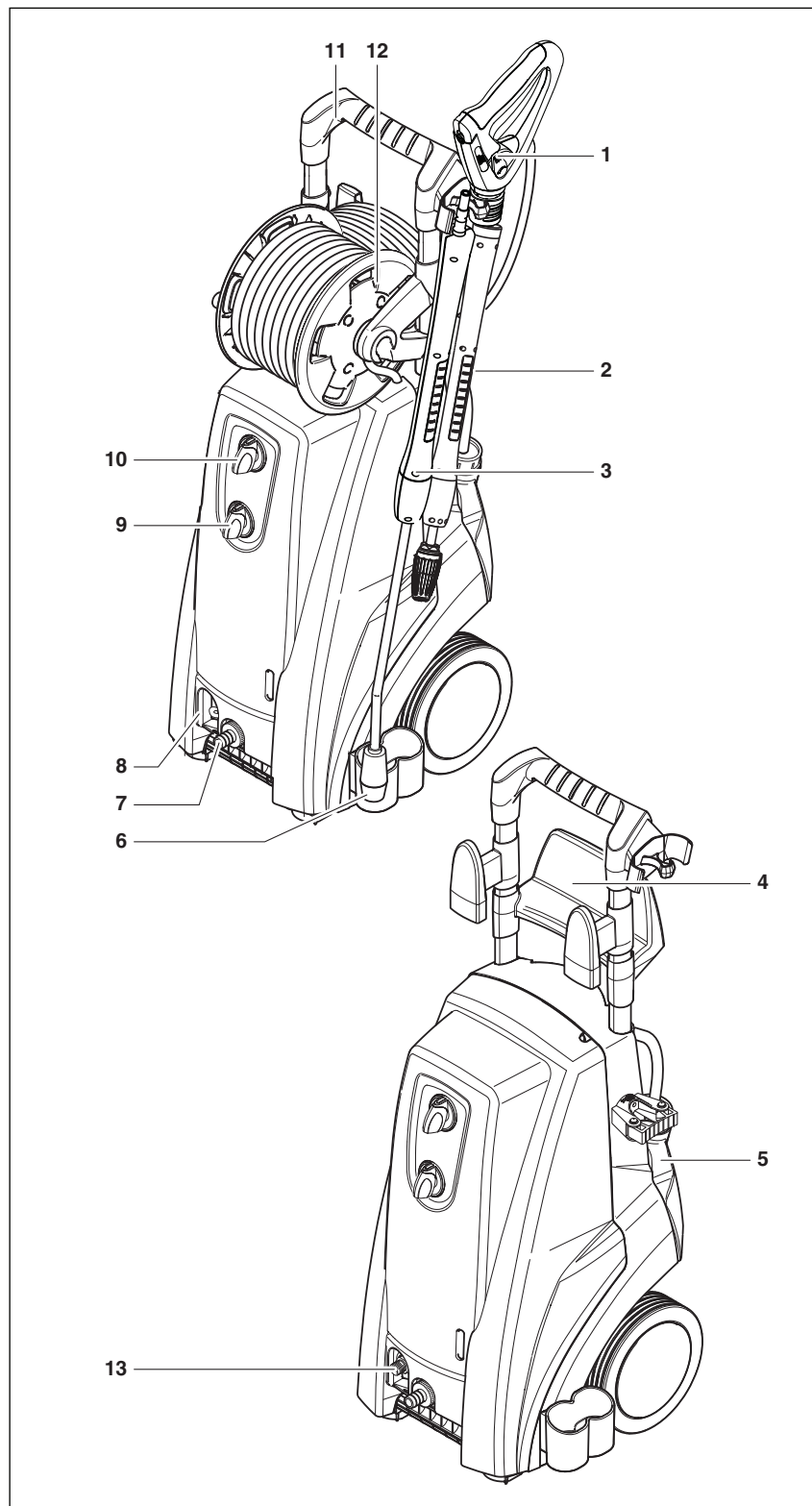
## UWAGA

- Strumienie wysokiego ciśnienia mogą być niebezpieczne. Nie należy pod żadnym pozorem ustawiać dysz w kierunku ludzi, zwierząt, urządzeń elektrycznych pod napięciem ani samego urządzenia.
- Należy nigdy czyścić odzieży ani obuwia na sobie lub innych osobach.
- Osoba obsługująca urządzenie i inne osoby znajdujące się w bezpośrednim sąsiedztwie sprzątanego obszaru powinny się zabezpieczyć przed przemieszczającymi się od padami. Podczas używania urządzenia należy nosić okulary ochronne.
- Podczas pracy nie należy przykrywać urządzenia.
- Pod żadnym pozorem nie należy stosować urządzenia w warunkach grożących wybuchem. W razie wątpliwości należy skontaktować się z lokalnymi władzami.
- Powierzchni zawierających azbest nie należy czyścić pod wysokim ciśnieniem.
- Myjki wysokociśnieniowej nie należy używać w temperaturach poniżej 0°C.
- Używać tylko paliwa określonego w instrukcji. Nieodpowiednie paliwo może spowodować poważne niebezpieczeństwo..
- W czasie eksploatacji urządzenia na wyposażeniu strumieniowym występują siły odrzutu, a w przypadku wykorzystania kątowej lancy strumieniowej do natryskiwania dodatkowo jeszcze momenty obrotowe, przez co konieczne jest trzymanie wyposażenia strumieniowego oburącz.
- Skontrolować, czy w przypadku przedmiotów przeznaczonych do czyszczenia nie istnieje groźba uwolnienia niebezpiecznych materiałów grożących skażeniem środowiska naturalnego, np. azbestu, oleju.
- Nie wolno czyścić okrągłym strumieniem delikatnych części wykonanych z gumy, materiału itp. Podczas czyszczenia uważać na zachowanie dostatecznego odstępu między dyszą wysokociśnieniową a czyszczoną powierzchnią, aby nie doszło do jej uszkodzenia.
- Nigdy nie uruchamiać urządzenia bez doprowadzenia wody. Nawet krótkotrwała przerwa w doprowadzeniu wody prowadzi do poważnego uszkodzenia pierścieni samouszczelniających pompy.
- Zabrania się wykonywania prac w sposób zagrażający bezpieczeństwu.
- Nie blokować spustu w pozycji otwartej.

## 2 Opis

### Przeznaczenie

- |                                    |  |
|------------------------------------|--|
| 1. Pistolet natryskowy             | 8. Bęben węża dopływu wody             |
| 2. Przewód elektryczny             | 9. Wyłącznik główny                    |
| 3. Rura natryskowa                 | 10. Dozowanie płynu czyszczącego       |
| 4. Uchwyt przewodu zasilającego    | 11. Rączka do pchania                  |
| 5. Zbiornik na płyn do czyszczenia | 12. Bęben z węzem <sup>1)</sup>        |
| 6. Uchwyt na rurę natryskową       | 13. Przyłącze węża wysokociśnieniowego |
| 7. Przyłącze i filtr dopływu wody  |  |



**Instrukcja obsługi**

Przed uruchomieniem urządzenia należy koniecznie zapoznać się z poniższym dokumentem oraz przechowywać go zawsze pod ręką.

Użytkowanie urządzenia podlega ogólnym przepisom obowiązującym w danym kraju.

Obok instrukcji obsługi i obowiązujących w kraju użytkownika przepisów zapobiegania wypadkom należy przestrzegać również uznanych technicznych zasad bezpieczeństwa dotyczących bezpiecznego i prawidłowego sposobu wykonywania pracy.

**Przeznaczenie urządzenia**

Ta myjka wysokociśnieniowa jest przeznaczona do użytku profesjonalnego. Można ją używać do mycia urządzeń rolniczych i budowlanych, stajni, pojazdów, zardzewiałych powierzchni, itp.

Myjka nie posiada atestu pozwalającego na mycie powierzchni mających kontakt z żywnością.

Każde zastosowanie wykraczające poza opisane powyżej jest niezgodne z przeznaczeniem. Za wynikłe z tego powodu szkody producent nie odpowiada.

Do użytkowania zgodnego z przeznaczeniem należy również zachowanie podanych przez producenta warunków eksploatacji, konserwacji i utrzymywania maszyny w dobrym stanie.

**Dalsza pomoc**

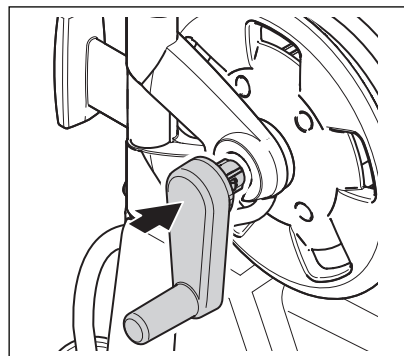
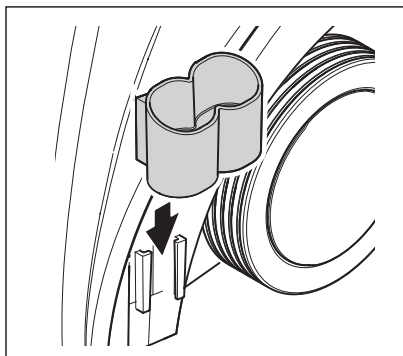
W razie dalszych pytań prosimy zwrócić się do autoryzowanego serwisu fi rmy GRACO w danym kraju.

**Przed uruchomieniem**

Przed uruchomieniem urządzenia należy je dokładnie sprawdzić pod względem usterek. W razie wykrycia usterki nie należy uruchamiać urządzenia, lecz skontaktować się z lokalnym dystrybutorem firmy GRACO.

### 3 Przed pierwszym uruchomieniem

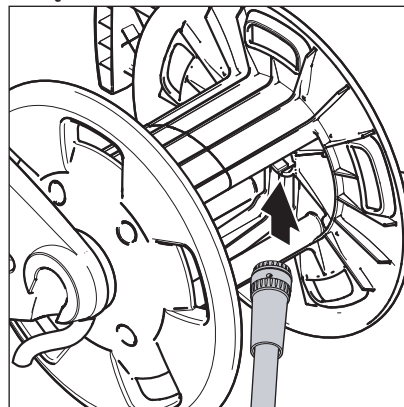
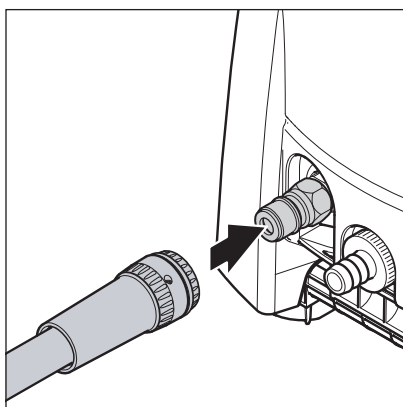
#### Ustawienie



#### Podłączenie węża wysokociśnieniowego

Urządzenia bez bębna z węzem.

Urządzenia wyposażone w bęben z węzem.



**Zawór BA**

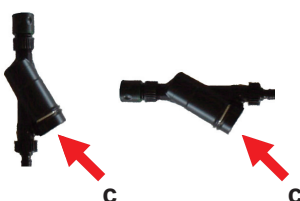
Myjkę wysokociśnieniową można podłączyć do magistrali wody pitnej po zainstalowaniu odpowiedniego przerywacza próżni, typu BA zgodnie z EN 1717.

Zawór BA można zamawiać pod numerem:

- Zawór BA z łącznikami GARDENA: 106411177
- Zawór BA z łącznikami NITO: 106411178
- Zawór BA z łącznikami GEKA: 106411179
- Zawór BA bez łączników: 106411184

Łączniki można zamawiać pod numerem:

- 3/4" GARDENA (a): 32541
- 3/4" GARDENA (b): 1608629
- 3/4" NITO (a): 1602945
- 3/4" NITO (b): 1600659
- 1/2" NITO (b): 1604669
- 3/4" GEKA (a): 1718
- 3/4" GEKA (b): 1311

**Instrukcja instalacji**

1. Założyć łącznik męski na kran.
2. Podłączyć (a) na zaworze BA do kranu.
3. Zamocować łącznik żeński na węży dopływu wody.
4. Podłączyć (b) na zaworze BA do węży dopływu wody.
5. Podłączyć węży dopływu wody do myjki wysokociśnieniowej.
6. Odkręcić dopływ wody i uruchomić urządzenie.

**UWAGA**

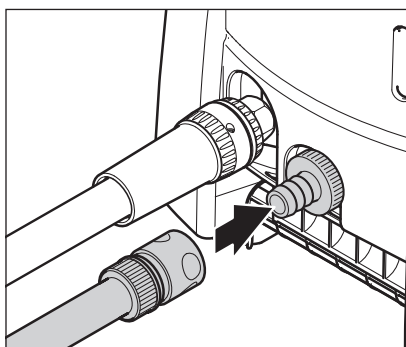
- Przerywacz próżni może zostać zamontowany poziomo lub pionowo, a otwór odpływowy (c) musi być skierowany w dół.
- Woda wypływająca z otworu odpływowego (c) musi przepływać swobodnie.
- W przypadku ryzyka obecności piasku w wodzie dopływowej (np. ze studni) należy zainstalować dodatkowy filtr między kranem i przerywaczem próżni.
- Aby przewód wytrzymał wartości szczytowe ciśnienia, jego długość pomiędzy przerywaczem próżni i myjką wysokociśnieniową musi wynosić przynajmniej 12 metrów (min. średnica 3/4 cala).
- Kiedy woda przepłynie przez zawór BA, nie należy jej traktować jako wody pitnej.
- Zabezpieczyć przerywacz próżni przed zamarzaniem.
- Przerywacz próżni utrzymywać w czystości. Usuwać wszelki brud.

**Konserwacja**

Co najmniej raz w roku sprawdzić działanie urządzenia w następujący sposób:

1. Po zakończeniu pracy wyłączyć myjkę wysokociśnieniową.
2. Zamknąć zawór kranu.
3. Rozszczelnąć węży dopływu wody przez użycie pistoletu natryskowego.
4. Zdjąć przerywacz próżni. Z otworu odpływowego (c) musi wypłynąć woda (maks. 100 ml), co zapewni oddzielenie wody pitnej.
5. Jeżeli tak się nie stanie, spróbować wyczyścić zawór BA lub skontaktować się z przedstawicielem GRACO.

## Podłączenie węża dopływowego wody



1. Przed podłączeniem do urządzenia węża dopływowego wody należy przepłukać go krótko wodą, aby do urządzenia nie przedostał się piasek i cząstki innych zanieczyszczeń.
2. Przy pomocy złączki szybkomocującej podłączyć wąż dopływowy wody do przyłącza wody.
3. Otworzyć kurek z dopływem wody.

### UWAGA

- W przypadku złej jakości wody (zamulenia itp.) zaleca się zamontowanie na dopływie drobnego filtra wody.
- Do podłączenia do urządzenia zaleca się stosowanie węża wodnego wykonanego z tworzywa zbrojonego tkaniną, o średnicy nominalnej co najmniej 3/4" (19 mm).

## Podłączenie zasilania elektrycznego



W przypadku urządzeń z przełączanym napięciem zasilającym przed podłączeniem wtyczki do gniazdka sieciowego należy koniecznie sprawdzić, czy na urządzeniu ustawiona jest prawidłowa wartość napięcia sieciowego. W przeciwnym wypadku może dojść do zniszczenia elektrycznych podzespołów urządzenia.

### UWAGA

- Urządzenie można podłączyć wyłącznie do uziemionej instalacji.
- Instalacja elektryczna powinna być wykonana przez elektryka z uprawnieniami.
- Zgodnie z normą IEC-60364-1, zaleca się aby zasilanie elektryczne urządzenia zawierało wyłącznik różnicowo-prądowy (GFCI)
- Przewód zasilający chronić przed uszkodzeniem (nie przejeżdżać po przewodzie, nie ciągnąć za przewód, nie zginać przewodu).
- Przewód zasilający wyjmować z gniazda sieciowego przez pociągnięcie za wtyczkę (nie ciągnąć i nie szarpać za przewód).

## Przedłużacze

Jako przedłużacz stosować tylko przewód podany przez producenta lub o jeszcze lepszych parametrach. Stosując przedłużacz należy przestrzegać, aby miał on właściwy, minimalny przekrój:

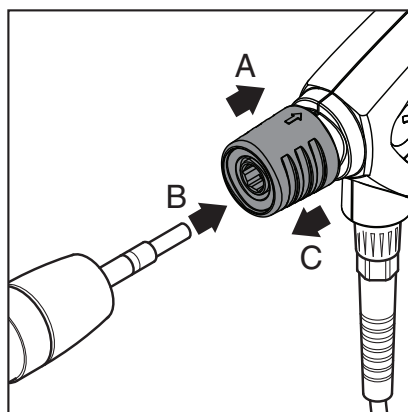
długość przewodu	przekrój	
	< 16 A	< 25 A
do 20 m	1.5 mm <sup>2</sup>	2.5 mm <sup>2</sup>
20 do 50 m	2.5 mm <sup>2</sup>	4.0 mm <sup>2</sup>

### UWAGA

- W przypadku stosowania bębna kablowego: Ze względu na niebezpieczeństwo przegrzania i pożaru należy zawsze całkowicie rozwinąć przewód zasilający.
- Połączenia przewodów należy chronić przed wilgocią i utrzymywać z dala od podłoża.

## 4 Obsługa / użytkowanie

### Podłączenie rury natryskowej do pistoletu natryskowego

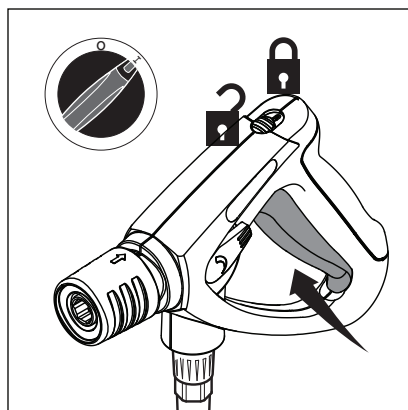


1. Pociągnij do tyłu niebieski uchwyt szybkiego zwolnienia (A) pistoletu natryskowego.
2. Włóż końcówkę lancy opryskiwacza (B) w połączenie szybko zwalnijące i zwolnij je.
3. Pociągnij lancę spryskiwacza w przód (lub inne akcesorium), aby sprawdzić, czy została prawidłowo przytworowana do pistoletu natryskowego.

#### UWAGA

Przed podłączeniem rury natryskowej do pistoletu należy dokładnie usunąć z końcówki cząstki zanieczyszczeń.

### Włączanie urządzenia podłączonego do instalacji wodnej

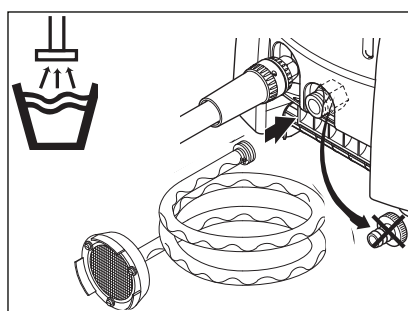


1. Ustawić wyłącznik główny w pozycji „I”.
2. Odblokować i uruchomić pistolet natryskowy.
3. Blokady bezpieczeństwa należy włączać nawet na czas krótkich przerw w pracy.

#### UWAGA

- W celu odpowietrzenia urządzenia należy wielokrotnie uruchomić na krótko pistolet natryskowy.

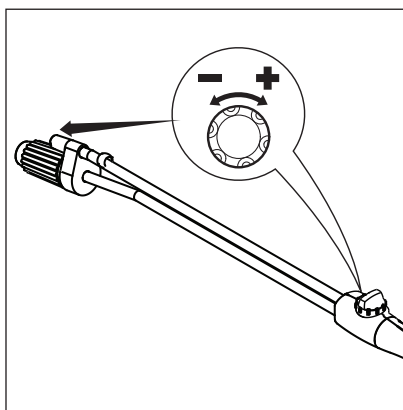
### Włączanie urządzenia współpracującego z otwartym zbiornikiem wody (z zasysaniem)



1. Przed podłączeniem do urządzenia komplet ssący GRACO należy napęlić wodą.
2. Ustawić wyłącznik główny w pozycji „I”.
3. Odblokować i uruchomić pistolet natryskowy.

Max. wysokość zasysania (Zagruntowany) = 1 m.

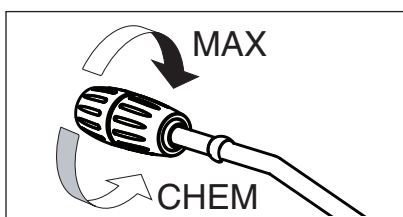
### Regulacja ciśnienia na lancy Powerspeed Vario Plus



Obracać pokrętkę na urządzeniu natryskowym:

- w celu zwiększenia ciśnienia = w kierunku zgodnym z ruchem wskazówek zegara (+)
- w celu zmniejszenia ciśnienia = w kierunku przeciwnym do ruchu wskazówek zegara (-)

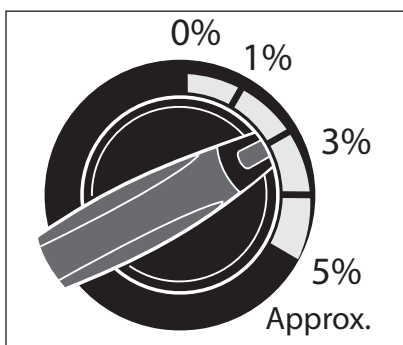
### Regulacja ciśnienia na dyszy FlexoPower Plus



Obrócić tulejkę na dyszy FlexoPower Plus:

- wysokie ciśnienie = MAX.
- niskie ciśnienie = MIN. (CHEM)

### Zastosowanie środków czyszczących



montowanego seryjnie inżektora:

1. Środek czyszczący rozcieńczyć wstępnie zgodnie z zaleceniami producenta.
2. Ustawić regulację ciśnienia na niskie ciśnienie.
3. Wymaganą ilość środka czyszczącego można regulować przez obracanie zaworem dozującym.
4. Ustawić wyłącznik główny w pozycji „I”.
5. Uruchomić pistolet natryskowy.

Tylko podczas pracy w zakresie niskiego ciśnienia można zasysać płyn do czyszczenia za pomocą

#### UWAGA

Nie wolno dopuszczać do zaschnięcia środków czyszczących. Może to spowodować uszkodzenie czyszczonej powierzchni.



# 5 Dziedziny zastosowania i metody pracy

## Uwagi ogólne

Skuteczne czyszczenie wysokociśnieniowe można osiągnąć przestrzegając kilku wskazówek w połączeniu z Państwa własnymi doświadczeniami w zakresie zastosowań specjalnych. Osprzęt oraz środki czyszczące, o ile zostaną poprawnie użyte, mogą wzmocnić działanie czyszczące. Tutaj znajdziecie Państwo kilka podstawowych wskazówek.

## Namaczanie

Grube warstwy zeskorupiałych zanieczyszczeń można rozpuścić lub rozmiękczyć, jeśli zostaną przez pewien czas namoczone. Idealna metoda szczególnie do zastosowań w rolnictwie – na przykład w chlewach. Najwyższą skuteczność osiąga się używając pianowych środków czyszczących oraz środków o odczynie zasadowym. Powierzchnię należy spryskać roztworem środka czyszczącego i pozostawić na 30 minut. Po upływie tego czasu można znacznie szybciej czyścić strumieniem pod wysokim ciśnieniem.

## Nanoszenie środków czyszczących oraz piany

Środkami czyszczącymi oraz pianą należy spryskiwać suche powierzchnie, tak aby środek czyszczący w stanie nierozcieńczonym został naniesiony na zanieczyszczenia. W przypadku powierzchni pianowych środki czyszczące należy nanosić od dołu ku górze, aby uniknąć ześlizgiwania się roztworu środka czyszczącego podczas nanoszenia. Pozostawić na kilka minut, a następnie czyścić strumieniem pod wysokim ciśnieniem. Nie dopuścić do zaschnięcia środka czyszczącego.

## Temperatura

W wyższych temperaturach skuteczność czyszczenia jest większa. W szczególności łatwiej i szybciej można rozpuścić tłuszcze oraz oleje. Najlepsza temperatura przy rozpuszczaniu protein wynosi 60° C, olejów i tłuszczów 70° do 90° C.

## Czyszczenie mechaniczne

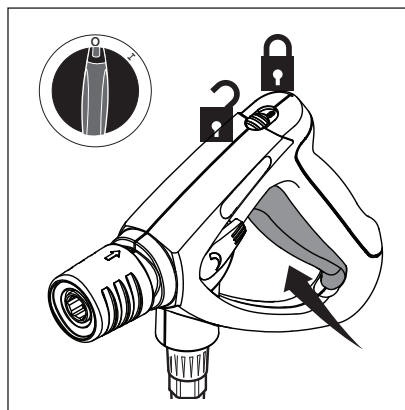
W celu pozbycia się trudno usuwalnych warstw zanieczyszczeń konieczne jest dodatkowe czyszczenie mechaniczne. Najlepsze efekty przynosi tutaj czyszczenie specjalnymi lancami natryskowymi oraz (wirującymi) szczotkami myjącymi.

## Duża siła strumienia wody i wysokie ciśnienie

Wysokie ciśnienie nie zawsze jest najlepszym rozwiązaniem, a zbyt wysokie ciśnienie może uszkodzić powierzchnię. Efekt czyszczenia zależy również od mocy strumienia wody. Ciśnienie 100 barów jest wystarczające do czyszczenia pojazdów mechanicznych (w połączeniu z ciepłą wodą). Strumień wody o większej sile umożliwia splukiwanie oraz usuwanie rozpuszczonego brudu.

## 6 Po zakończeniu pracy

### Wyłączanie urządzenia



1. Wyłączyć wyłącznik główny przez ustawienie w pozycji „OFF”.
2. Zamknąć kurek z dopływem wody.
3. Uruchomić pistolet natryskowy, aż do zlikwidowania ciśnienia w urządzeniu.
4. Założyć blokadę bezpieczeństwa na przycisk pistoletu.

### Zwijanie przewodu elektrycznego i węża wysokociśnieniowego oraz składanie wyposażenia dodatkowego

1. Zwinąć przewód elektryczny w sposób przedstawiony na rysunku.
2. Zwinąć wąż wysokociśnieniowy w sposób przedstawiony na rysunku.
3. Rurę natryskową i osprzęt zamocować w uchwytach.

#### UWAGA

Ryzyko upadku. W celu uniknięcia wypadku należy zawsze dokładnie zwijać przewód zasilający i wąż.

### Składowanie

Przechowywać urządzenie w suchym i zabezpieczonym przed mrozem miejscu.

### Przechowywanie urządzenia (zabezpieczenie przed zamarznięciem)

Jeśli urządzenie do czyszczenia wysokociśnieniowego ma być przechowywane w pomieszczeniu w temperaturach bliskich lub niższych niż 0 °C, to konieczne jest uprzednie zassanie przez pompę płynu niezamarzającego:

1. Odłączyć od urządzenia wąż doprowadzający wodę.
2. Zdjąć rurę natryskową.
3. Załączyć urządzenie przez ustawienie wyłącznika w położeniu „I”.
4. Podłączyć krótki wąż ssawny do otworu dopływu wody myjki i umieścić drugi koniec w zbiorniku ze środkiem zapobiegającym zamarzaniu.
5. Załączyć urządzenie przez ustawienie wyłącznika w położeniu „I”.
6. Pistolet natryskowy trzymać nad zbiornikiem z płynem niezamarzającym i uruchomić, aby rozpocząć zasysanie płynu.
7. Podczas zasysania płynu niezamarzającego uruchomić 2 - 3 razy pistolet natryskowy.
8. Wyjąć wąż ssący ze zbiornika z płynem niezamarzającym i ponownie uruchomić pistolet natryskowy w celu odpompowania reszty płynu niezamarzającego.
9. Wyłączyć urządzenie.

#### UWAGA

- W celu wyeliminowania wszelkiego ryzyka, przed ponownym uruchomieniem urządzenie należy składować w ogrzewanym pomieszczeniu.
- Nie należy nigdy uruchamiać zamarzniętego urządzenia.

# 7 Usuwanie usterek

Usterka	Przyczyna	Usuwanie usterki
spadek ciśnienia	<ul style="list-style-type: none"> <li>• zapowietrzenie układu</li> <li>• zatkana / zużyta dysza wysokiego ciśnienia</li> <li>• pusty zbiornik na płyn do czyszczenia</li> </ul>	<ul style="list-style-type: none"> <li>• odpowietrzyć układ, w tym celu wielokrotnie uruchamiać pistolet w krótkich odstępach czasu, ewentualnie uruchomić na krótko urządzenie z odłączonym węzłem wysokociśnieniowym.</li> <li>• przeczyszczyć / wymienić dyszę wysokiego ciśnienia</li> <li>• napełnić zbiornik na płyn do czyszczenia lub ustawić zawór dozownika w pozycji „0”</li> </ul>
wahania ciśnienia	<ul style="list-style-type: none"> <li>• zasysanie powietrza przez pompę (występuje tylko w trybie zasysania)</li> <li>• brak wody</li> <li>• za długi wąż lub za mały przekrój węża doprowadzającego wodę</li> <li>• brak wody z powodu zatkania filtra wody</li> <li>• brak wody z powodu nieprzestrzegania maksymalnie dopuszczalnej wysokości zasysania</li> </ul>	<ul style="list-style-type: none"> <li>• Sprawdzić szczelność zespołu zasysania</li> <li>• otworzyć zawór wodny</li> <li>• zastosować zalecany wąż doprowadzający wodę</li> <li>• oczyścić filtr wody na dopływie (zabrania się pracy bez filtra wody!)</li> <li>• patrz rozdział o rozpoczęciu pracy</li> </ul>
pomimo włączenia silnik nie pracuje	<ul style="list-style-type: none"> <li>• wtyczka nieprawidłowo włożona do gniazdka, przerwa w zasilaniu</li> <li>• zadziałanie bezpiecznika sieciowego</li> </ul>	<ul style="list-style-type: none"> <li>• sprawdzić wtyczkę, przewód i wyłącznik, w razie potrzeby zlecić wymianę wykwalifikowanemu elektrykowi</li> <li>• załączyć bezpiecznik</li> </ul>
przy włączaniu silnik warczy, ale nie daje się uruchomić	<ul style="list-style-type: none"> <li>• za niskie napięcie sieci albo zanik jednej fazy</li> <li>• zablokowana lub zamrznięta pompa</li> <li>• przedłużacz ma niewłaściwą długość lub przekrój</li> </ul>	<ul style="list-style-type: none"> <li>• sprawdzić podłączenie do sieci elektrycznej</li> <li>• wezwać serwis GRACO</li> <li>• zastosować przedłużacz o właściwej długości i przekroju</li> </ul>
silnik przerywa pracę	<ul style="list-style-type: none"> <li>• zadziałanie zabezpieczenia przeciwprzeciążeniowego z powodu przegrzania lub przeciążenia silnika</li> </ul>	<ul style="list-style-type: none"> <li>• zastosoować przedłużacz o właściwej długości i przekroju</li> <li>• sprawdzić zgodność napięcia sieci zasilającej z napięciem znamionowym urządzenia; wyłączyć urządzenie i przestudzić przez co najmniej 3 minuty</li> </ul>
przy zastosowaniu inżektora płynu czyszczącego płyn ten nie jest zasysany	<ul style="list-style-type: none"> <li>• zanieczyszczona dysza wysokiego ciśnienia</li> <li>• zanieczyszczony inżektor albo zatkany wąż ssący</li> <li>• pusty pojemnik z płynem czyszczącym</li> <li>• pokrętło na rurze natryskowej nie jest ustawione na niskie ciśnienie</li> </ul>	<ul style="list-style-type: none"> <li>• wymienić dyszę wysokiego ciśnienia</li> <li>• oczyścić</li> <li>• napełnić pojemnik płynem czyszczącym</li> <li>• obracać pokrętłem na rurze natryskowej aż do oporu w kierunku przeciwnym do ruchu wskazówek zegara</li> </ul>

## 8 Informacje dodatkowe

### Transport

Aby zapewnić bezpieczny transport w samochodach i na samochodach, zaleca się zamocowanie urządzenia taśmami w celu zabezpieczenia przed stoczeniem się i przewróceniem.

Transport w pozycji leżącej:

- Urządzenia nie wolno przechylać ani kłaść na boku, na którym znajdują się przyłącza.
- Ze zbiornika na płyn do czyszczenia wyjąć wąż ssący i zamknąć zbiornik pokrywką należącą do wyposażenia.
- Przed załączeniem urządzenia: zwrócić uwagę, aby olej z miski olejowej wpłynął z powrotem do korpusu pompy. Sprawdzić poziom oleju i w razie potrzeby uzupełnić.

Jeśli zajdzie konieczność transportu urządzenia i jego wyposażenia w temperaturach bliskich lub niższych niż 0 °C, to zalecamy stosowanie płynu niezamarzającego opisanego w rozdziale 5.

### Naprawa i konserwacja

Zawsze należy wyjąć wtyczkę elektryczną z gniazdka przed wrzeprowadzeniem prac związanych z konserwacją urządzenia.

### Wykorzystanie zużytej maszyny jako surowca wtórnego

Wyeksploatowane urządzenie należy natychmiast zezłomować.

1. W tym celu wyciągnąć z gniazdka wtyczkę i przeciąć przewód zasilający.
2. Urządzeń elektrycznych nie wolno wyrzucać na śmieci.



Zgodnie z Europejską Dyrektywą 2002/96/WE o przeznaczonych na złomowanie urządzeniach elektrycznych i sprzęcie elektronicznym, zużyte urządzenia elektryczne należy zbierać osobno i oddać do punktu zbiórki surowców wtórnych.

### Gwarancja

Udzielamy gwarancji oraz rękojmi zgodnie z naszymi ogólnymi warunkami sprzedaży i dostaw.

Zastrzegamy sobie prawo wprowadzania zmian technicznych.

## Deklaracja zgodności UE



# EC-DECLARATION OF CONFORMITY

EG-VERKLARING VAN OVEREENSTEMMING, DÉCLARATION DE CONFORMITÉ CE, EG-KONFORMITÄTSEKTLÄRUNG, DICHIARAZIONE DI CONFORMITÀ CE, EF-OVERENSSTEMMELSESEKTLÆRING, ΕΚ-ΔΗΛΩΣΗ ΣΥΜΜΟΡΦΩΣΗΣ, DECLARAÇÃO DE CONFORMIDADE - CE, DECLARACIÓN DE CONFORMIDAD DE LA CE, EY-VAATIMUSTENMUKAISUUSVAKUUTUS, EG-DEKLARATION OM ÖVERENSSTÄMMELSE, ES PROHLÁŠENÍ O SHODĚ, EÜ VASTAVUSDEKLARATSIOON, EC MEGFEJELŐSÉGI NYILATKOZAT, EK ATBILSTĪBAS DEKLARĀCIJA, ES ATITIKTIES DEKLARACIJA, DEKLARACJA ZGODNOŚCI UE, DIKJARAZZJONI-KE TA' KONFORMITA', IZJAVA ES O SKLADNOSTI, ES - VYHLÁŠENIE O ZHODE, EO-ДЕКЛАРАЦИЯ ЗА СЪВМЕСТИМОСТ, DEIMHNIÚ COMHRÉIREACHTA CE, CE-DECLARAȚIE DE CONFORMITATE

## Model

AquaMax 2330E, 2335E

Modèle, Modell, Modello, Μοντέλο,  
Modelo, Malli, Mudel, Modelis, Mudell, Модел, Samhail

## Part

287428, 287429

Bestelnr., Type, Teil, Codice, Del, Μέρος, Peça,  
Referencia, Osa, Součást, Részegység, Daja, Dalis,  
Część, Taqsim, Čast, Част, Part, Parte

## Complies With The EC Directives:

Voldoet aan de EG-richtlijnen, Conforme aux directives CE, Entspricht den EG-Richtlinien, Conforme alle direttive CE, Overholder EF-direktiverne, Σύμφωνα με τις Οδηγίες της ΕΚ, Em conformidade com as Directivas CE, Cumple las directivas de la CE, Täyttää EY-direktiivien vaatimukset, Uppfyller EG-direktiven, Shoda se směrnicemi ES, Vastab EÜ direktiividele, Kielegítii az EK irányelvek követelményeit, Atbilst EK direktīvām, Atitinka šias ES direktyvas, Zgodność z Dyrektywami UE, Konformi mad-Direttivi tal-KE, V skladu z direktivami ES, Je v súlade so smernicami ES, Съвместимост с Директиви на ЕО, Tá ag teacht le Treoracha an CE, Respectá directivele CE

2006/42/EC Machine Directive

2006/95/EC Low Voltage Directive

2004/108/EC EMC Directive

## Standards Used:

Gebruikte maatstaven, Normes respectées, Verwendete Normen, Norme applicate, Anvendte standarder, Πρότυπα που χρησιμοποιήθηκαν, Normas utilizadas, Normas aplicadas, Sovelletavat standardit, Tillämpade standarder, Použité normy, Rakendatud standardid, Alkalmazott szabványok, Izmantotie standarti, Taikyti standartai, Užyte normy, Standards Uzati, Uporabljeni standardi, Použité normy, Използвани стандарти, Caidheáin arna n-úsáid, Standarde utilizate

EN 12100, EN 60335-2-79, EN 55014-1, EN 55014-2, EN 61000-3-2, DIN EN 60335-2-79

## Notified Body for Directive

Aangemelde instantie voor richtlijn, Organisme notifié pour la directive, Benannte Stelle für diese Richtlinie, Ente certificatore della direttiva, Bemyndiget organ for direktiv, Διακοινωμένο όργανο Οδηγίας, Organismo notificado relativamente à directiva, Organismo notificado de la directiva, Direktiivien mukaisesti ilmoitettu tarkastuslaitos, Anmält organ för direktivet, Úředně oznámený orgán pro směrnici, Teavitatud asutus (direktiivi järgi), Az irányelvvvel kapcsolatban értesített testület, Pilnvarotā iestāde saskaņā ar direktīvu, Apie direktīvu Informuota institūcija, Ciało powiadomione dla Dyrektywy, Korp avzat bid-Direttiva, Priglašeni organ za direktivo, Notifikovaný orgán pre smernicu, Нотифициран орган за Директива, Comhlacht ar tugadh fógra dó, Organism notificat în conformitate cu directiva

--	--	--	--

## Approved By:

Goedgekeurd door, Approuvé par, Genehmigt von, Approvato da, Godkendt af, Έγκριση από, Aprovado por, Aprobado por, Hyväksynyt, Intygas av, Schwäilit, Kinnitanud, Jóváhagyta, Apstiprināts, Patvirtino, Zatwierdzone przez, Approvat minn, Odobril, Schválené, Одобрено от, Faofa ag, Aprobat de

**Hans van Cranenbroek**

**Manufacturing, Engineering and Warehousing Manager**

10 JANUARY 2011

### Manufactured By:

**GRACO INC.**  
88 - 11<sup>th</sup> Avenue N.E.  
Minneapolis, MN 55413  
USA


















### Authorized Representative:

**GRACO N.V.**  
Slakweidestraat 31  
3630 Maasmechelen  
BELGIUM

**199382**

**A**

## Dane techniczne

		AquaMax 2330E	AquaMax 2335E
	V/Ph/Hz	230/1/50	400/3/50
	A	16	10
	kW	3.3	4.2
<b>I</b>	A	15	7.6
		IP X5	IP X5
	bar/MPa	160/16	160/16
	bar/MPa	200/20	200/20
	l/h	560	700
	l/h	620	760
<b>Cleaning Impact</b>	kg/Force	3.0	3.6
		0350	0475
	°C	50	50
	bar / MPa	10/1	10/1
	mm	450 x 380 x 1040	450 x 380 x 1040
	kg	40.4	40.4
 <b>EN 60704-1</b>	dB(A)	74.6	75
 <b>L<sub>WA</sub></b>	dB(A)	87.9	90
<b>Vibration ISO 5349</b>	m/s <sup>2</sup>	< 2.5	< 2.5
<b>Recoil forces</b>	N	28	35
	l	0.225	0.225
		Agip Rotra 80W-90	

## Standardowa gwarancja firmy Graco

Standardowa gwarancja firmy Graco gwarantuje, że wszystkie urządzenia wymienione w tym podręczniku, a wyprodukowane przez firmę Graco i opatrzone jej nazwą, były w dniu ich sprzedaży nabywcy wolne od wad materiałowych i wykonawczych. O ile firma Graco nie wystawiła specjalnej, przedłużonej lub skróconej gwarancji, produkt jest objęty dwunastomiesięczną gwarancją, na naprawę lub wymianę wszystkich uszkodzonych części urządzenia, które firma Graco uzna za wadliwe. Gwarancja zachowuje ważność wyłącznie dla urządzeń montowanych, obsługiwanych i utrzymywanych zgodnie z zaleceniami pisemnymi firmy Graco.

Gwarancja nie obejmuje przypadków ogólnego zużycia urządzenia oraz wszelkich uszkodzeń, zniszczeń lub zużycia urządzenia, powstałych w wyniku niewłaściwego montażu czy wykorzystania niezgodnie z przeznaczeniem, korozji, wytarcia elementów, niewłaściwej lub niefachowej konserwacji, zaniedbań, wypadku przy pracy, niedozwolonych manipulacji lub wymiany części na inne, nieoryginalne. Za takie przypadki firma Graco nie ponosi odpowiedzialności, podobnie jak za niewłaściwe działanie urządzenia, jego zniszczenie lub zużycie spowodowane niekompatybilnością z konstrukcjami, akcesoriami, sprzętem lub materiałami innych producentów, tudzież niewłaściwą konstrukcją, montażem, działaniem lub konserwacją tychże.

Warunkiem gwarancji jest zwrot na własny koszt reklamowanego wyposażenia do autoryzowanego dystrybutora firmy Graco w celu weryfikacji reklamowanej wady. Jeżeli reklamowana wada zostanie zweryfikowana, firma Graco naprawi lub wymieni bezpłatnie wszystkie uszkodzone części. Wyposażenie zostanie zwrócone do pierwotnego nabywcy z opłaconym transportem. Jeżeli kontrola wyposażenia nie wykryje wady materiałowej lub wykonawstwa, naprawa będzie wykonana według uzasadnionych kosztów, które mogą obejmować koszty części, robocizny i transportu.

NINIEJSZA GWARANCJA JEST GWARANCJĄ WYŁĄCZNĄ, A JEJ WARUNKI ZNOSZĄ POSTANOWIENIA WSZELKICH INNYCH GWARANCJI, ZWYKŁYCH LUB DOROZUMIANYCH, Z UWZGLĘDNIENIEM, MIĘDZY INNYMI, GWARANCJI USTAWOWEJ ORAZ GWARANCJI DZIAŁANIA URZĄDZENIA W DANYM ZASTOSOWANIU.

Wszystkie zobowiązania firmy Graco i prawa gwarancyjne nabywcy podano powyżej. Nabywca potwierdza, że nie ma prawa do żadnych innych form zadośćuczynienia (między innymi odszkodowania za utracone przypadkowo lub umyślnie zyski, zarobki, uszkodzenia osób lub mienia, lub inne zawinione lub niezawinione straty). Wszelkie czynności związane z dochodzeniem praw w związku z tymi zastrzeżeniami należą zgłaszać w ciągu dwóch (2) lat od daty sprzedaży.

FIRMA GRACO NIE DAJE ŻADNEJ GWARANCJI RZECZYWISTEJ LUB DOMNIEMANEJ ORAZ NIE GWARANTUJE, ŻE URZĄDZENIE BĘDZIE DZIAŁAŁO ZGODNIE Z PRZEZNACZENIEM, STOSOWANE Z AKCESORIAMI, SPRZĘTEM, MATERIAŁAMI I ELEMENTAMI INNYCH PRODUCENTÓW SPRZEDAWANYMI PRZEZ FIRMĘ GRACO. Części innych producentów, sprzedawane przez firmę Graco (takie jak silniki elektryczne, spalinowe, przełączniki, wagi, itd.), objęte są gwarancją ich producentów, jeżeli jest udzielana. Firma Graco zapewni nabywcy pomoc w dochodzeniu roszczeń w ramach tych gwarancji.

Firma Graco w żadnym wypadku nie ponosi odpowiedzialności za szkody pośrednie, przypadkowe, specjalne lub wynikowe wynikające z dostawy wyposażenia firmy Graco bądź dostarczenia, wykonania lub użycia jakichkolwiek produktów lub innych sprzedanych towarów na skutek naruszenia umowy, gwarancji, zaniedbania ze strony firmy Graco lub innego powodu.

**Graco reserves the right to make changes at any time without notice.**

**Tłumaczenie oryginału instrukcji obsługi. This manual contains Polish. MM 3A1490**

**Graco Headquarters: Minneapolis**

**International Offices: Belgium, China, Japan, Korea**

**GRACO INC. P.O. BOX 1441 MINNEAPOLIS, MN 55440-1441**

**www.graco.com**



# Tartalom

<b>1</b>	<b>Fontos biztonsági útmutatások .....</b>	<b>259</b>
	<i>Az utasítások meghatározása .....</i>	259
	<i>Figyelmeztetések.....</i>	259
<b>2</b>	<b>Leírás.....</b>	<b>261</b>
	<i>Kezelőelemek .....</i>	261
	<i>Használati utasítás .....</i>	262
	<i>A gép alkalmazásának célja .....</i>	262
	<i>További támogatás.....</i>	262
	<i>Használat előtt.....</i>	262
<b>3</b>	<b>Az üzembevétele előtt.....</b>	<b>263</b>
	<i>Felállítás .....</i>	263
	<i>Csatlakoztassa a nagynyomású tömlőt .....</i>	263
	<i>BA szelep.....</i>	264
	<i>Üzembe helyezési útmutató .....</i>	264
	<i>Karbantartás .....</i>	264
	<i>A víztömlő csatlakoztatása .....</i>	265
	<i>Villamos csatlakozás .....</i>	265
	<i>Hosszabbító vezetékek.....</i>	265
<b>4</b>	<b>Kezelés / Üzemeltetés .....</b>	<b>266</b>
	<i>A szórócső szórópisztolyhoz való csatlakoztatása .....</i>	266
	<i>A készülék bekapcsolása, ha vízvezetékre van kötve .....</i>	266
	<i>A készülék bekapcsolása, ha nyitott tartályra van kötve (szívó üzemmód) .....</i>	266
	<i>Nyomásszabályozás a Powerspeed Vario Plus-lándzsával .....</i>	267
	<i>Nyomásszabályozás a FlexoPower Plus fúvókánál .....</i>	267
	<i>Tisztítószer használata .....</i>	267
<b>5</b>	<b>Felhasználási területek és munkamódszerek .....</b>	<b>268</b>
	<i>Általános útmutatások .....</i>	268
	<i>Beáztatás.....</i>	268
	<i>Tisztítószer és hab felvitele .....</i>	268
	<i>Hőmérséklet.....</i>	268
	<i>Mechanikus behatás.....</i>	268
	<i>Nagy vízátbocsátó teljesítmény és magas nyomás.....</i>	268
<b>6</b>	<b>A munka után.....</b>	<b>269</b>
	<i>A készülék kikapcsolása .....</i>	269
	<i>A csatlakozóvezeték és a nagynyomású tömlő felcsavarása és a tartozékok elrakása ..</i>	269
	<i>Tárolás.....</i>	269
	<i>A készülék tárolása (fagyálló tárolás) .....</i>	269
<b>7</b>	<b>Zavarok kiküszöbölése .....</b>	<b>270</b>
<b>8</b>	<b>Egyebek .....</b>	<b>271</b>
	<i>Szállítás .....</i>	271
	<i>Tárolás.....</i>	271
	<i>A gép anyagának újrafelhasználása .....</i>	271
	<i>Garancia .....</i>	271
	<i>EG megfelelési nyilatkozat .....</i>	272
	<i>Műszaki adatok.....</i>	273
	<i>Standard Graco garancia.....</i>	274



# 1 Fontos biztonsági útmutatások

## Az utasítások meghatározása

### VESZÉLY

Olyan veszély, ami közvetlenül okoz súlyos, irreverzibilis sérüléseket vagy halált.

### FIGYELEM

Olyan veszély, amely súlyos sérüléseket vagy halált okozhat.

### VIGYÁZAT

Olyan veszély, amely könnyű sérüléseket vagy anyagi károkat okozhat.

## Figyelmeztetések

### FIGYELEM

- Mindennemű biztonsági szempontból kétes munkamódszert el kell kerülni.
- Tilos bármilyen módosítást végrehajtani a mechanikai, elektro- mos vagy hőbiztonsági eszközökön.
- A készüléket nem használhatják gyermekek, vagy csökkent fizikai, érzékszervi vagy szellemi képességű, megfelelő tapasztalattal és ismeretekkel nem rendelkező személyek, kivéve, ha biztosítják a számukra szükséges felügyeletet vagy tájékoztatást.
- Ezt a készüléket csak a GRACO által gyártott vagy ajánlott tisztítószerekkel szabad használni. Másfajta tisztítószerek használata károsan befolyásolhatja a készülék biztonságát.
- Robbanásveszély – Ne használja a tisztítógépet gyúlékony folyadékok szórására.



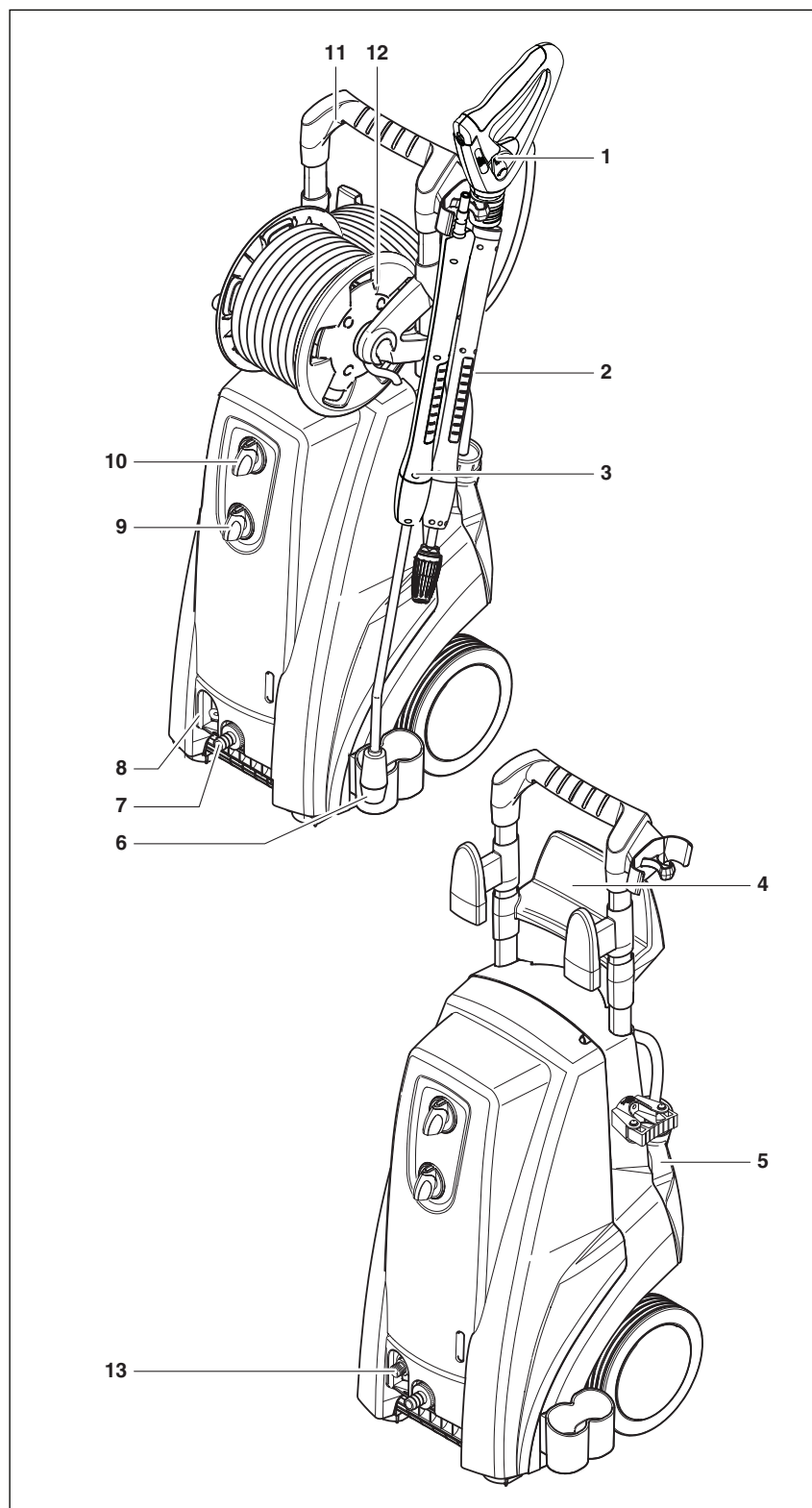
## VIGYÁZAT

- A nagynyomású vízszugár veszélyes lehet. Ne irányítsa a vízszugarat emberekre, állatokra, feszültség alatti elektromos készülékekre vagy magára a mosóra.
- Ne próbálja magán vagy másokon a ruhát vagy a cipőt megtisztítani.
- A kezelőnek és a tisztítás helye közvetlen közelében tartózkodó személyeknek védekezniük kell a munka során a tisztított felületről lecsapódó szennyeződések ellen. A készülék használata közben viseljen védőszemüveget.
- Ne takarja le a gépet és ne üzemeltesse azt nem kielégítően szellőztetett helyiségekben.
- Tilos a készüléket robbanásveszélyes környezetben használni. Ha bármilyen kérdése van, forduljon a helyi hatósági szervekhez.
- Azbeszttartalmú felületeket tilos nagynyomású vízszugárral tisztítani.
- A nagynyomású mosó 0°C alatti hőmérsékleten nem használható.
- Csak a megadott fajtájú üzemanyagot szabad használni. A nem megfelelő üzemanyag komoly veszélyt okozhat.
- A gép üzemelése közben a fecskendező berendezésen visszalökerők lépnek fel, lecsévézett fecskendezőcsőnél pedig ezen felül csavaró nyomaték is hat. Tartsa ezért a fecskendező berendezést feszesen mindkét kezében.
- Ellenőrizze a tisztítandó tárgyat, hogy tisztítás közben nem oldódhatnak-e le róla veszélyes anyagok, pl. azbeszt, olaj, amelyek így a környezetbe juthatnak.
- Gumiból, szövetből és hasonlókból készült érzékeny felületeket nem szabad a hengeres sugárral tisztítani. Tisztításkor ügyeljen arra, hogy a nagynyomású fúvóka és a felület között megfelelő távolság legyen, így elkerülhető a tisztítandó felület károsodása.
- Sose helyezze víz nélkül üzembe a készüléket. Akár rövid ideig tartó vízhiány is a szivattyú tömítógallérjainak súlyos megrongálódásához vezethet.
- Minden biztonságot veszélyeztető alkalmazási mód tilos.
- A kart nem szabad nyitott helyzetben rögzíteni.

## 2 Leírás

### Kezelőelemek

- |                                     |                                    |
|-------------------------------------|------------------------------------|
| 1. Szórópisztoly                    | szűrő                              |
| 2. Elektromos csatlakozóvezeték     | 8. Vízellátás a tömlőorsóhoz       |
| 3. Szórócső                         | 9. Főkapcsoló                      |
| 4. Hálózati csatlakozókábel tartója | 10. Tisztítószer-adagolás          |
| 5. Tisztítószer-tartály             | 11. Tolófogantyú                   |
| 6. Szórócső tartója                 | 12. 1Tömlődob <sup>1)</sup>        |
| 7. Vízcsatlakozás és vízbetöltő     | 13. Nagynyomású tömlő csatlakozója |



<sup>1)</sup> Kiegészítő tartozék - modellváltozat  
Az eredeti használati útmutató fordítása

## Használati utasítás



Mielőtt üzembe helyezné a készüléket, feltétlenül olvassa el a jelen dokumentumot, és tartsa mindig keze ügyében.

A berendezés üzemeltetése a mindenkori nemzeti előírásoknak megfelelően kell történjen.

A használati utasítás és az alkalmazó országában érvényes kötelező baleset-megelőzési előírások mellett, a biztonságos és szakszerű munkavégzésre vonatkozó szaktechnikailag is elismert szabályokat is figyelembe kell venni.

## A gép alkalmazásának célja

Ezt a nagynyomású tisztítót kizárólag professzionális felhasználásra tervezték. Alkalmas mezőgazdasági és építőipari berendezések, istállók, járművek, rozsdás felületek stb. tisztítására.

A tisztító használata élelmiszerrel érintkező felületek tisztítására nem engedélyezett.

Minden ezen túlmenő felhasználás nem rendeltetésszerű. Az ilyen esetekből származó károkért a gyártó nem vállal felelősséget. A rendeltetésszerű alkalmazásnak része a gyártó által előírt az üzemeltetésre, gondozásra és a karbantartásra vonatkozó feltételek betartása is.

## További támogatás

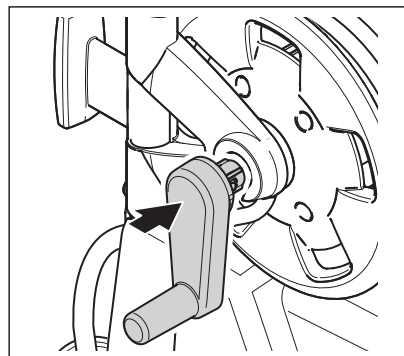
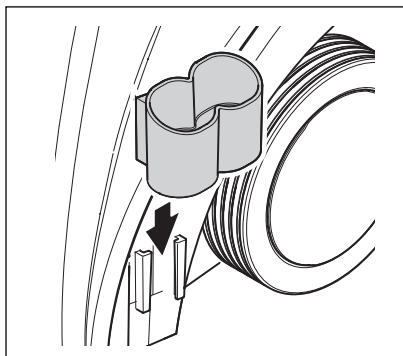
További kérdésekkel forduljon az Ön országában illetékes GRACO szervizhez.

## Használat előtt

Mielőtt a készüléket bekapcsolná, ellenőrizze alaposan, nincs-e rajta sérülés. Ha talál rajta, akkor ne kapcsolja be a készüléket, és vegye fel a kapcsolatot a GRACO márkakereskedővel.

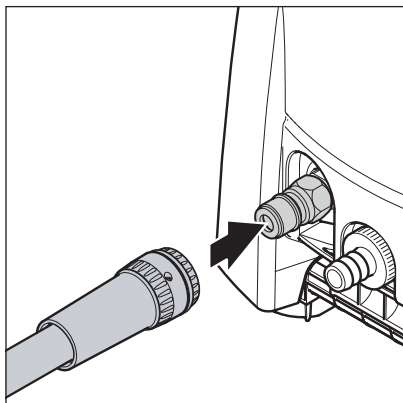
### 3 Az üzembevétel előtt

#### Felállítás

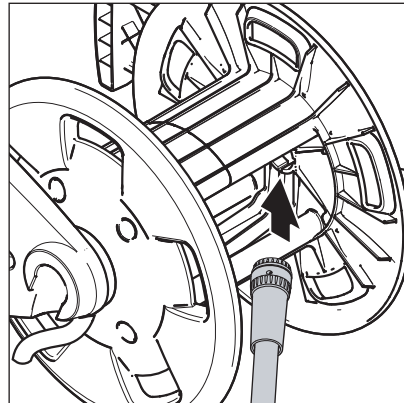


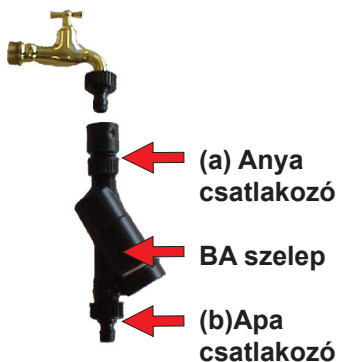
#### Csatlakoztassa a nagynyomású tömlőt

#### Tömítődobos készülékek.



#### Tömítődob nélküli készülékek.



**BA szelep**

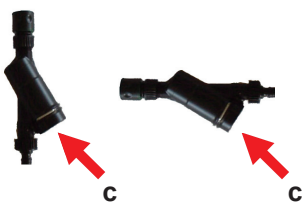
Ennek a nagynyomású mosónak/tisztítónak az ivóvízhálózatra történő csatlakoztatása csak akkor engedélyezett, ha a rendszerleválasztás egy BA típusú visszafolyásgátlóval, az EN 1717 szabvány szerint gondoskodtak.

A BA szelep rendelési számai:

- BA szelep GARDENA csatlakozóval: 106411177
- BA szelep NITO csatlakozóval: 106411178
- BA szelep GEKA csatlakozóval: 106411179
- BA szelep csatlakozó nélkül: 106411184

A csatlakozók rendelési számai:

- 3/4" GARDENA (a): 32541
- 3/4" GARDENA (b): 1608629
- 3/4" NITO (a): 1602945
- 3/4" NITO (b): 1600659
- 1/2" NITO (b): 1604669
- 3/4" GEKA (a): 1718
- 3/4" GEKA (b): 1311

**Üzembe helyezési útmutató**

1. Szereljen fel a vízcsapra egy apa csatlakozót.
2. Csatlakoztassa a BA szelep (a) pontját a vízcsaphoz.
3. Szereljen fel a vízbevezető tömlőre egy anya csatlakozót.
4. Csatlakoztassa a BA szelep (b) pontját a vízbevezető tömlőhöz.
5. Csatlakoztassa a vízbevezető tömlőt a magasnyomású mosóhoz.
6. Kapcsolja rá a vizet és indítsa el a berendezést.

**VIGYÁZAT**

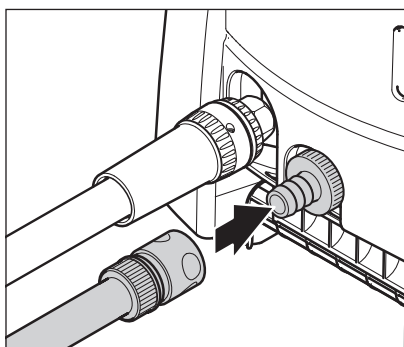
- A visszaáramlásgátló függőlegesen vagy vízszintesen is felszerelhető, a vízvezetőt (c) nyílásával lefelé mutatva kell felszerelni.
- A vízvezető (c) nyílásából elfolyó víz szabadon áramoljon.
- Ha fennáll a veszélye, hogy a belépő vízbe homokszemcsék kerülhetnek (például saját kútból), akkor egy további szűrőt kell felszerelni a vízcsap és a visszaáramlásgátló közé.
- Az esetleges nyomáslökések csillapítása érdekében a visszafolyásgátló és a nagynyomású mosó közötti tömlőnek legalább 6 méter hosszúnak kell lennie (min. átmérő 3/4").
- Ha a víz átfolyt a BA szelepen, akkor már nem tekinthető ivóvíznek.
- A visszaáramlásgátlót óvni kell a fagyveszélytől.
- Tartsuk tisztán és szennyeződésmentesen a visszaáramlásgátlót.

**Karbantartás**

Az alábbi funkciókat legalább évente egyszer ellenőrizze:

1. Munkavégzés után kapcsolja ki a nagynyomású tisztítót.
2. Zárja el a vízcsap szelepet.
3. Nyomásmentesítse a vízbevezető tömlőt úgy, hogy húzza meg a szórópisztoly ravaszát.
4. Szerelje le a visszaáramlásgátlót. A vízvezető nyílásból (c) víznek kell kilépnie (max. 100 ml) az ivóvíz leválasztásának biztosítására.
5. Ha nem így történik, tisztítsa meg a BA szelepet vagy kérjen tanácsot a GRACO képviselőtől.

## A víztömlő csatlakoztatása



1. A víztömlőt a készülékhez való bekötése előtt öblítse ki vízzel, így homok és egyéb szennyeződések nem kerülhetnek a készülékbe.
2. Csatlakoztassa a víztömlőt a gyorscsatlakozóval a vízcsatlakozáshoz.
3. Nyissa ki a vízcsapot.

### VIGYÁZAT

- Rossz vízminőség esetén (hordalékhomok stb.) a víz-bevezetésben szereljen fel egy finom vízsűrítőt.
- A készülék csatlakoztatásához használjon szöveterősítésű tömlőt, amelynek belső átmérője legalább 3/4" (19 mm).

## Villamos csatlakozás



A feszültség-átkapcsolós készülékeknél feltétlenül ügyeljen arra, hogy a készülék a helyes hálózati feszültségre legyen beállítva, mielőtt még a hálózati csatlakozódugaszt a csatlakozóaljzatba tenné. Ellenkező esetben a készülék elektromos részei tönkremehetnek.

### VIGYÁZAT

- Csak földelt áramkörrel szabad a készüléket üzemeltetni.
- Az elektromos csatlakozást egy képesített villanyszerelőnek kell kiépítenie.
- Az IEC- 60364-1 szabvány értelmében erősen ajánlott, hogy a készülék tápáramkörébe legyen földzárlat-megszakító (GFCI) szerelve
- Ne rongálja meg a hálózati csatlakozó vezetékét (pl. azáltal, hogy áthajt azon, rángatja vagy összenyomja azt).
- A hálózati csatlakozó vezetékét csak közvetlenül a villás dugón (nem pedig a hálózati csatlakozó vezeték húzogatóásával, rángatásával) húzza ki.

## Hosszabbító vezetékek

Hosszabbító vezetékként csakis a gyártó által megadott, vagy annál jobb kivitelezésű vezetékét használjon.

Hosszabbító vezeték alkalmazása esetén ügyeljen annak minimális keresztmetszetére:

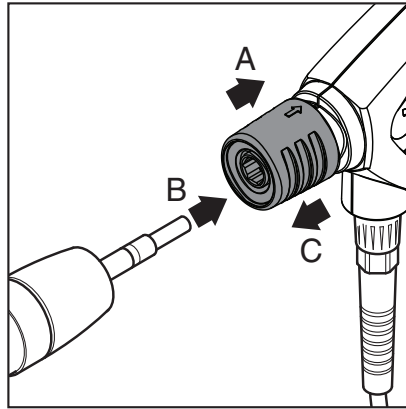
Kábelhossz	Keresztmetszet	
	< 16 A	< 25 A
20 m-ig	1.5 mm <sup>2</sup>	2.5 mm <sup>2</sup>
20-tól 50 m-ig	2.5 mm <sup>2</sup>	4.0 mm <sup>2</sup>

### VIGYÁZAT

- Kábeldob használata esetén: Túlhevülés- és tűzveszély, a csatlakozóvezetékét mindig egészen tekerje le.
- A kábelcsatlakozásokat szárazon kell tartani, a föld szintjéhez képest megemelve.

## 4 Kezelés / Üzemeltetés

### A szórócső szórópisztolyhoz való csatlakoztatása

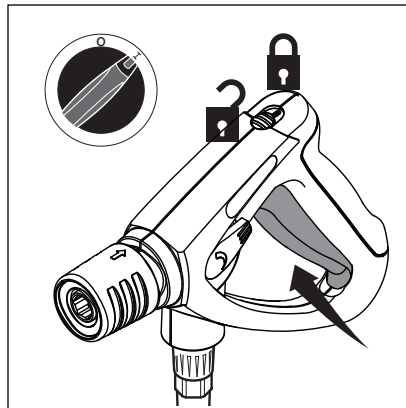


1. Húzza ki a szórópisztoly gyorscsatlakozóján a kék csúszkát (A).
2. Helyezze be a szórócső csőkapcsolóját a gyorscsatlakozóba (B), és engedje el a csúszkát.
3. Meghúzással ellenőrizze, hogy a szórócső (vagy bármilyen más tartozék) megfelelően fel van-e szerelve a szórópisztolyra.

#### VIGYÁZAT

Mindig tisztítsa meg a karmantyút az esetleges piszoktól, mielőtt a szórócsövet összeköti a szórópisztollyal.

### A készülék bekapcsolása, ha vízvezetékre van kötve

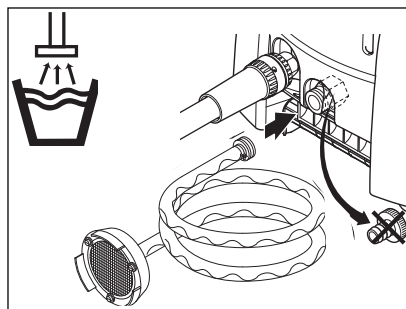


1. Állítsa a főkapcsolót „I” állásba.
2. A szórópisztolyt nyissa ki és hozza működésbe.
3. A biztonsági tolóreteszt rögzítse rövid munkamegszakítások során is.

#### VIGYÁZAT

A rendszer légtelenítéséhez rövid időközönként többször hozza működésbe a szórópisztolyt.

### A készülék bekapcsolása, ha nyitott tartályra van kötve (szívó üzemmód)

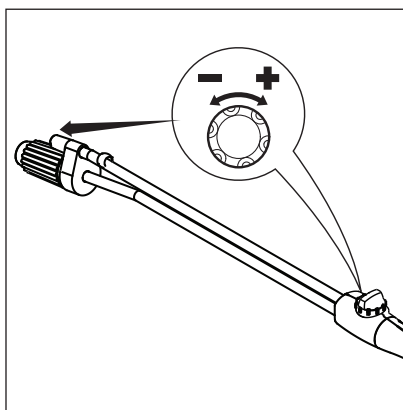


1. GRACO-szívókészletet a készülékre történő csatlakoztatás előtt töltsse fel vízzel.
2. Állítsa a főkapcsolót „I” állásba.
3. A szórópisztolyt oldja ki és hozza működésbe.

Max. szívásmagasság (feltöltve) = 1 m.



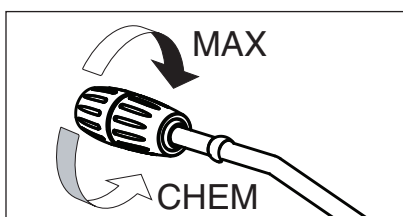
### Nyomásszabályozás a Powerspeed Vario Plus-lándzsával



Forgassa el a szóróberendezés forgatógombját:

- nagy nyomás = az óramutató járásával megegyező irányban (+)
- kis nyomás = az óramutató járásával ellenkező irányban (-)

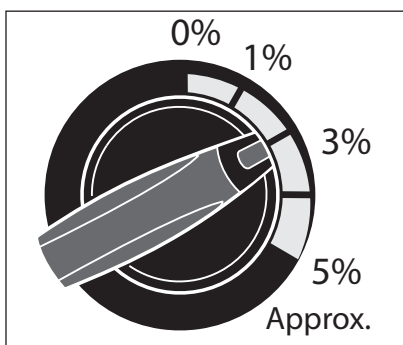
### Nyomásszabályozás a FlexoPower Plus fúvókánál



A FlexoPower Plus fúvóka hüvelyét forgassa:

- Nagynyomás = MAX.
- Kisnyomás = MIN.(CHEM)

### Tisztítószer használata



felszívni:

1. A tisztítószer a gyártó előírása szerint hígítsa előre fel.
2. Állítsa a nyomásszabályozást alacsony nyomásra.
3. Állítsa be a kívánt tisztítószer-mennyiséget az adagolószelep elforgatásával.
4. Állítsa a főkapcsolót „I „ állásba.
5. A szórópisztolyt hozza működésbe.

A szériafelszerelésként beszerelt porlasztóval csak kisnyomás-üzem módban lehet a tisztítószer

#### VIGYÁZAT

Nem szabad hagyni, hogy a tisztítószer rászáradjon. A tisztítandó felület különben megsérülhet.

# 5 Felhasználási területek és munkamódszerek

## Általános útmutatások

A nagynyomású vízszugárral végzett hatékony tisztításhoz elég néhány egyszerű szabály betartása a speciális területeken szerzett saját tapasztalataival párosulva. A tartozékok és a tisztítószer, szakszerű használat mellett, fokozhatják a tisztító hatást. Az alábbiakban adunk Önnek néhány alapvető útmutatást.

## Beáztatás

Elkérgesedett és vastag szennyezőréteget úgy oldhat fel vagy puhíthat elő, hogy egy ideig beáztatja azt. Ez kiváltképpen a mezőgazdaságban – például sertésistállóban – eszményien hasznosítható módszer. A legjobb hatást habzó vagy lúgos kémhatású tisztítószerrel éri el. Fecskendezze be a tisztítandó felületet tisztítószer-oldattal, és 30 percig hagyja, hogy hasson az.

## Tisztítószer és hab felvitele

A tisztítószert és a habot száraz felületre kell ráfecskendezni, annak érdekében, hogy a tisztítószer minden további hígítás nélkül kerüljön érintkezésbe a piszokkal. Függőleges felületeknél alulról felfelé kell fecskendezni megakadályozandó, hogy a tisztítószer-oldat lecsurgásakor foltok keletkezzenek. Néhány percig hagyja, hogy hasson a tisztítószer, mielőtt nagynyomású vízszugárral lemosná a felületet.

## Hőmérséklet

Magasabb hőmérsékleti értékeknél jobb a tisztítás hatékonysága. Kiváltképpen zsírt és olajat lehet könnyebben és gyorsabban feloldani. Fehérjéket 60°C körüli hőmérséklet mellett lehet a legjobban feloldani, olaj és zsír 70°C és 90°C között távolítható el a leghatékonyabban. Ne hagyja a tisztítószert rászáradni.

## Mechanikus behatás

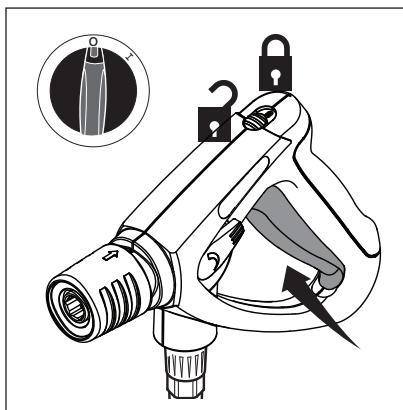
Makacs pizsokrétegek feloldásához kiegészítésként mechanikus behatásra is szükség van. Itt a speciális fecskendező csövek és (forgó) kefék használata a leghatékonyabb a pizsokrétegek feloldásához.

## Nagy vízátbocsátó teljesítmény és magas nyomás

A magas nyomás nem minden esetben a legjobb megoldás, és túl magas nyomás megrongálhatja a tisztítandó felületet. A tisztító hatás ugyanolyan mértékben függ a vízátbocsátó teljesítménytől is. A járműtisztításhoz elegendő 100 bar nyomás (melegvízzel párosítva). A nagyobb vízátbocsátó teljesítmény lehetővé teszi a feloldott szennyeződés leöblítését és elszállítását.

## 6 A munka után

### A készülék kikapcsolása



1. Kapcsolja ki a főkapcsolót, a kapcsolót állítsa „OFF” helyzetbe.
2. Zárja el a vízcsapot.
3. Hozza működésbe a szórópisztolyt, amíg a készülék nyomásmentes lesz.
4. Tegye fel a szórópisztoly biztosítóreteszt.

### A csatlakozóvezeték és a nagynyomású tömlő felcsavarása és a tartozékok elrakása

1. A csatlakozóvezetékot tekerje fel, mint ahogy azt az ábra mutatja.
2. A nagynyomású tömlőt tekerje fel, mint ahogy azt az ábra mutatja.
3. A szórócsövet és a tartozékokat tegye a tartókba.

#### VIGYÁZAT

Fennáll a lecsévélődés veszélye. A balesetek megelőzése érdekében mindig gondosan csévélje fel a tápkábelt.

### Tárolás

A készüléket szárazon és fagymentesen tárolja.

### A készülék tárolása (fagyálló tárolás)

Amennyiben a nagynyomású tisztítót egy olyan helyre helyezi, ahol a hőmérséklet

1. Válassza le a készüléket a vízbevezető-tömlőről.
2. Vegye le a szórócsövet.
3. Kapcsolja be a készüléket, állítsa a kapcsolóállást az „I” helyzetbe. Maximum 3 perc után a készüléket kapcsolja ki.
4. Csatlakoztassa a szívótömlőt a készülék víz-bevezetőjéhez, és tegye egy fagyállószerrel töltött tartályba.
5. Kapcsolja be a készüléket, állítsa a kapcsolót az „I” helyzetbe.
6. A szórópisztolyt tartsa a fagyállószerrel tartalmazó tartály fölé és hozza működésbe, hogy a szívófolyamat elinduljon.
7. A szívófolyamat során a szórópisztolyt 2-3-szor hozza működésbe.
8. Emelje ki a szívótömlőt a fagyállószerrel tartályból és hozza működésbe a szórópisztolyt, hogy így a maradék fagyállószerrel kiszivattyúzza.
9. Kapcsolja ki a készüléket.

#### VIGYÁZAT

- Minden rizikó elkerülése érdekében, a készüléket az újra-üzembehelyezés előtt lehetőleg fűtött helyiségben tárolja.
- Befagyott készüléket nem szabad bekapcsolni.

## 7 Zavarok kiküszöbölése

Zavar	Ok	Elhárítás
Nyomáscsökkenés	<ul style="list-style-type: none"> <li>• Levegő a rendszerben</li> <li>• A HD-fúvóka eltömődött/elhasználódott</li> <li>• A tisztítószer-tartály üres</li> </ul>	<ul style="list-style-type: none"> <li>• Légtelenítse a rendszert, ehhez a szórópisztolyt rövid időközönként többször hozza működésbe, esetleg hozza üzembe a gépet a hozzacsatolt nagynyomású tömlő nélkül rövid ideig.</li> <li>• Tisztítsa/cserélje a HD-fúvókát</li> <li>• Töltse fel a tisztítószer-tartályt vagy állítsa az adagolószelepet „0” állásba</li> </ul>
Nyomásingadozások	<ul style="list-style-type: none"> <li>• A szivattyú levegőt szív (csak szívó üzemmódban lehetséges)</li> <li>• Vízhiány</li> <li>• A vízbevezető-tömlő túl hosszú illetve túl kicsi keresztmetszetű</li> <li>• Vízhiány eltömődött vízszűrő következtében</li> <li>• Vízhiány a maximálisan megengedhető szívómagasság figyelmen kívül hagyása következtében</li> </ul>	<ul style="list-style-type: none"> <li>• Ellenőrizze a szívókészlet tömítettségét</li> <li>• Nyissa ki a vízcsapot</li> <li>• Az előírt vízbevezető-tömlőt használja</li> <li>• Tisztítsa ki a vízszűrőt a vízcsatlakozásban (soha ne dolgozzon vízszűrő nélkül!)</li> <li>• Lásd üzembe helyezés</li> </ul>
Bekapcsolásnál a motor nem indul el	<ul style="list-style-type: none"> <li>• A csatlakozó nem jól van bedugva, áramkimaradás</li> </ul>	<ul style="list-style-type: none"> <li>• Ellenőrizze a csatlakozót, a vezetékét és a kapcsolót és szükség esetén cseréltesse ki azokat elektromos szakemberrel</li> </ul>
A motor zúg bekapcsolásnál anélkül, hogy elindulna	<ul style="list-style-type: none"> <li>• A hálózati biztosíték le van kapcsolva</li> <li>• A hálózati feszültség túl alacsony, vagy fáziskiesés</li> <li>• A szivattyú eltömődött vagy befagyott</li> <li>• A hosszabbító kábel nem megfelelő keresztmetszetű vagy nem megfelelő hosszúságú</li> </ul>	<ul style="list-style-type: none"> <li>• Kapcsolja be a hálózati biztosítékot</li> <li>• Ellenőriztesse az elektromos bekötést</li> <li>• Értesítse az GRACO-vevőszolgálatot</li> <li>• Használjon megfelelő keresztmetszetű ill. hosszúságú kábelt</li> </ul>
A motor kikapcsol	<ul style="list-style-type: none"> <li>• A túlterhelésvédelem kikapcsolt a motor túlmelegedése vagy túlterhelése miatt</li> </ul>	<ul style="list-style-type: none"> <li>• Ellenőriztesse, hogy a tápfeszültség megegyezik-e a készülék feszültségével. Kapcsolja ki és legalább 3 percig hagyja hűlni</li> </ul>
A tisztítószer kimarad a tisztítószer-befecskendező használatánál	<ul style="list-style-type: none"> <li>• A nagynyomású fúvóka szennyezett</li> <li>• A befecskendező szennyezett vagy a szívótömlő eltömődött</li> <li>• A tisztítószer-tartály üres</li> <li>• A szívócsövön a forgatógomb nem kisnyomásra van állítva</li> </ul>	<ul style="list-style-type: none"> <li>• Cserélje ki a nagynyomású fúvókát</li> <li>• Tisztítsa</li> <li>• Töltse fel a tisztítószer-tartályt</li> <li>• A szórócsövön forgassa ütközésig a forgatógombot az óramutató járásával ellenkező irányban</li> </ul>

# 8 Egyebek

## Szállítás

A járművekben és járműveken történő biztonságos szállítás érdekében ajánljuk, hogy a készüléket pántokkal rögzítse csúszás- és billenésbiztosan.

Szállítás fekvő helyzetben:

- a készüléket ne fektesse vagy billentse arra az oldalára, amelyen a csatlakozások vannak.
- vegye ki a szívótömlőt a tisztítószer-tartályból, és a tartályt a mellékelt fedéllel zárja le.
- mielőtt a készüléket bekapcsolja: ügyeljen arra, hogy az olaj visszafolyt-e a szivattyúházba az olaj-felfogó edényből. Ellenőrizze az olajsintet, szükség esetén töltsön be még olajat.

Ha a készülék és a tartozékok szállítása során a hőmérséklet 0°C körül vagy alatt van, ajánljuk fagyállószer használatát az 6. fejezetben leírtak alapján.

## Tárolás

A készüléket szárazon és fagymentesen tárolja.

## A gép anyagának újrafelhasználása

A kiszolgált készüléket azonnal használhatatlanná kell tenni.

1. A hálózati csatlakozódugót húzza ki,
2. a vezetéket vágja el.
3. Az elektromos készülékeket ne dobja a háztartási hulladékba.



A 2002/96/EG, a használt elektromos és elektronikus készülékekre vonatkozó európai irányelvek szerint az elhasznált elektromos készülékeket szelektíven kell gyűjteni, és környezetkímélő újrahasznosításra kell továbbadni.

## Garancia

Garanciára és szavatosságra vonatkozóan általános üzleti és szállítási feltételeink érvényesek.

Fenntartjuk magunknak a műszaki újításokból adódó változtatások jogát.

## EG megfelelési nyilatkozat



# EC-DECLARATION OF CONFORMITY

EG-VERKLARING VAN OVEREENSTEMMING, DÉCLARATION DE CONFORMITÉ CE, EG-KONFORMITÄTSEKTLÄRUNG, DICHIARAZIONE DI CONFORMITÀ CE, EF-OVERENSSTEMMELSESEKTLÆRING, ΕΚ-ΔΗΛΩΣΗ ΣΥΜΜΟΡΦΩΣΗΣ, DECLARAÇÃO DE CONFORMIDADE - CE, DECLARACIÓN DE CONFORMIDAD DE LA CE, EY-VAATIMUSTENMUKAISUUSVAKUUTUS, EG-DEKLARATION OM ÖVERENSSTÄMMELSE, ES PROHLÁŠENÍ O SHODĚ, EÜ VASTAVUSDEKLARATSIOON, EC MEGFEIÉLŐSÉGI NYILATKOZAT, EK ATBILSTĪBAS DEKLARĀCIJA, ES ATĪTIKTĪES DEKLARĀCIJA, DEKLARACJA ZGODNOŚCI UE, DIKJARAZZJONI-KE TA' KONFORMITA', IZJAVA ES O SKLADNOSTI, ES - VYHLÁŠENIE O ZHODE, EO-ДЕКЛАРАЦИЯ ЗА СЪВМЕСТИМОСТ, DEIMHNIŪ COMHRÉIREACHTA CE, CE-DECLARAȚIE DE CONFORMITATE

## Model

Modèle, Modell, Modello, Μοντέλο, Modelo, Malli, Mudel, Modelis, Mudell, Модел, Samhail

AquaMax 2330E, 2335E

## Part

Bestelnr., Type, Teil, Codice, Del, Μέρος, Peça, Referencia, Osa, Součást, Részegység, Daja, Dalis, Część, Taqsim, Čast', Част', Páirt, Parte

287428, 287429

## Complies With The EC Directives:

Voldoet aan de EG-richtlijnen, Conforme aux directives CE, Entspricht den EG-Richtlinien, Conforme alle direttive CE, Overholder EF-direktiverne, Σύμφωνα με τις Οδηγίες της ΕΚ, Em conformidade com as Directivas CE, Cumple las directivas de la CE, Täyttää EY-direktiivien vaatimukset, Uppfyller EG-direktiven, Shoda se směrnicemi ES, Vastab EÜ direktiividele, Kieľegíti az EK irányelvek követelményeit, Atbilst EK direktívam, Atitinka šias ES direktyvas, Zgodność z Dyrektywami UE, Konformi mad-Direttivi tal-KE, V skladu z direktivami ES, Je v súlade so smernicami ES, Съвместимост с Директиви на ЕО, Tá ag teacht le Treoracha an CE, Respectá directivele CE

2006/42/EC Machine Directive

2006/95/EC Low Voltage Directive

2004/108/EC EMC Directive

## Standards Used:

Gebruikte maatstaven, Normes respectées, Verwendete Normen, Norme applicate, Anvendte standarder, Πρότυπα που χρησιμοποιήθηκαν, Normas utilizadas, Normas aplicadas, Sovellettavat standardit, Tillämpade standarder, Použité normy, Rakendatud standardid, Alkalmazott szabványok, Izmantotie standarti, Taikyti standartai, Uzyte normy, Standards Uzati, Uporabljeni standardi, Použité normy, Използвани стандарти, Caighdeán arna n-úsáid, Standarde utilizate

EN 12100, EN 60335-2-79, EN 55014-1, EN 55014-2, EN 61000-3-2, DIN EN 60335-2-79

## Notified Body for Directive

Aangemelde instantie voor richtlijn, Organisme notifié pour la directive, Benannte Stelle für diese Richtlinie, Ente certificatore della direttiva, Bemyndiget organ for direktiv, Διακοινυμένο όργανο Οδηγίας, Organismo notificado relativamente à directiva, Organismo notificado de la directiva, Direktiivin mukaisesti ilmoitettu tarkastuslaitos, Anmält organ för direktivet, Úředně oznámený orgán pro směrnici, Teavitatud asutus (direktiivi järgi), Az irányelvvvel kapcsolatban értesített testület, Pilnvarotā iestāde saskaņā ar direktīvu, Apie direktīvu Informuota institūcija, Ciało powiadomione dla Dyrektywy, Korp avzat bid-Direttiva, Priglašeni organ za direktivo, Notifikovaný orgán pre smernicu, Нотифициран орган за Директива, Comhlacht ar tugadh fógra dó, Organism notificat în conformitate cu directiva

--	--	--	--

## Approved By:

Goedgekeurd door, Approuvé par, Genehmigt von, Approvato da, Godkendt af, Έγκριση από, Aprovado por, Aprobado por, Hyväksynyt, Intygas av, Schwäilit, Kinnitanud, Jóváhagyta, Apstiprināts, Patvirtino, Zatwierdzone przez, Approvat minn, Odobril, Schválené, Одобрено от, Faofa ag, Aprobat de

Hans van Cranenbroek

Manufacturing, Engineering and Warehousing Manager

10 JANUARY 2011









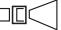
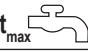







Manufactured By:  
GRACO INC.  
88 - 11<sup>th</sup> Avenue N.E.  
Minneapolis, MN 55413  
USA

Authorized Representative:  
GRACO N.V.  
Slakweidestraat 31  
3630 Maasmechelen  
BELGIUM

199382

A

## Műszaki adatok

		AquaMax 2330E	AquaMax 2335E
	V/Ph/Hz	230/1/50	400/3/50
	A	16	10
	kW	3.3	4.2
<b>I</b>	A	15	7.6
		IP X5	IP X5
	bar/MPa	160/16	160/16
	bar/MPa	200/20	200/20
	l/h	560	700
	l/h	620	760
<b>Cleaning Impact</b>	kg/Force	3.0	3.6
		0350	0475
	°C	50	50
	bar / MPa	10/1	10/1
	mm	450 x 380 x 1040	450 x 380 x 1040
	kg	40.4	40.4
 <b>EN 60704-1</b>	dB(A)	74.6	75
 <b>L<sub>WA</sub></b>	dB(A)	87.9	90
<b>Vibration ISO 5349</b>	m/s <sup>2</sup>	< 2.5	< 2.5
<b>Recoil forces</b>	N	28	35
	l	0.225	0.225
 <b>TYPE</b>	Agip Rotra 80W-90		

## Standard Graco garancia

A Graco garanciát vállal a dokumentumban említett összes, a Graco által gyártott és a Graco megnevezését viselő berendezéseket illetően, hogy az eredeti vásárlónak való eladásának dátumán a berendezések nem tartalmaznak gyártási vagy anyagi hibákat. A Graco által kibocsátott speciális, kiterjesztett illetve korlátozott garancia kivételével az értékesítés időpontjától számított tizenkét hónapos időtartamra vonatkozóan a Graco megjavítja, illetve kicseréli a berendezés bármely, a Graco által hibásnak ítélt alkatrészét. Ezen garancia csak abban az esetben érvényes, amennyiben a berendezés összeszerelése, működtetése és karbantartása a Graco írásban megadott előírásainak megfelelően történik.

Jelen garancia nem fedi, továbbá a Graco nem vállal felelősséget, az általános kopást és elhasználódást, vagy a nem megfelelő üzembe helyezésből, helytelen használatból, koptatásból, rozsdásodásból, nem helyénvaló vagy nem megfelelő karbantartásból, elhanyagolásból, balesetektől, módosításokból vagy nem eredeti Graco cserealkatrészek használatából származó bármilyen hibás működést, károsodást vagy kopást. Továbbá, a Graco nem vállal felelősséget azokért a meghibásodásokért, károsodásokért vagy kopásért, amelyek a Graco berendezések inkompatibilitásának tulajdoníthatók a nem a Graco által szolgáltatott szerkezetekkel, tartozékokkal, berendezésekkel és anyagokkal, továbbá a nem a Graco által biztosított szerkezetek, tartozékok, berendezések és anyagok nem megfelelő kivitelezéséért, gyártásáért, beszereléséért, használatáért és karbantartásáért.

Ezen garancia feltétele az is, hogy a vásárló a hibásnak vélt berendezést, a költségeket előre kifizetve visszajuttassa egy hivatalos (szerződött) Graco márkakereskedőhöz a bejelentett hiba kivizsgálása céljából. Amennyiben a bejelentett hiba az ellenőrzés után valósnak bizonyul, a Graco költségmentesen megjavít, illetve kicserél bármely hibás alkatrészt. Ezután a berendezést visszaküldi az eredeti vásárlónak a szállítási költség előzetes kifizetésével. Amennyiben a berendezés vizsgálata nem tár fel semmilyen anyag- vagy gyártási hibát, a javítást méltányos áron elvégezzük, amely tartalmazhatja az alkatrészek, a munkaerő és a szállítás árát.

**A JELEN GARANCIA KIZÁRÓLAGOS ÉS HELYETTESÍT BÁRMILYEN MÁS KIFEJEZETT VAGY VÉLELMEZETT GARANCIÁT, IDEÉRTVE, DE NEM SZORÍTKOZVA AZ ÉRTÉKESÍTHETŐSÉGRE, ILLETVE A MEGHATÁROZOTT CÉLRA VALÓ ALKALMASSÁGRA VONATKOZÓ GARANCIÁVÁLLALÁST IS.**

A Graco egyetlen felelőssége és a vásárló egyetlen orvosolási joga bármilyen garanciális feltétel megszegése esetén kizárólag a fentiek szerint érvényesíthető. A vásárló elfogadja, hogy semmilyen más orvosolás nem áll rendelkezésre (ideértve, de nem szorítkozva a profitveszteségeknek tulajdonítható véletlenszerű vagy közvetlenül elszenvedett károkat, elmaradt értékesítési lehetőségeket, személyes és anyagi károkat, vagy bármilyen más véletlenszerű vagy közvetlen károkat). A garanciális feltételek megszegésével kapcsolatos követelési igényt az eladási dátumtól számított két (2) éven belül érvényre kell juttatni.

**A GRACO NEM VÁLLAL GARANCIÁT ÉS ELUTASÍT MINDENFAJTA ÉRTÉKESÍTHETŐSÉGRE, VAGY EGY MEGHATÁROZOTT CÉLRA VALÓ ALKALMASSÁGRA VONATKOZÓ GARANCIÁVÁLLALÁST A GRACO ÁLTAL FORGALMAZOTT, DE NEM A GRACO ÁLTAL GYÁRTOTT TARTOZÉKOKRA, BERENDEZÉSEKRE, ANYAGOKRA VAGY ALKATRÉSZEKRE VONATKOZÓAN.** Ezen, a Graco által értékesített, de nem a Graco által gyártott termékekre (mint például villanymotorok, kapcsolók, csövek stb.), amennyiben garanciálisak, a termék gyártója által kibocsátott garancia érvényes. Az ilyen garanciák megszegése esetén a Graco minden méltányolandó segítséget megad a vásárló számára a követelési igény érvényre juttatásához.

A Graco semmilyen körülmények között nem vállal felelősséget olyan közvetett, előre nem látható, különleges vagy következményes károkért, melyek a Graco által a továbbiakban szállított berendezésből adódnak, illetve bármilyen általa eladott termék vagy egyéb áru beszereléséből, teljesítményéből vagy használatából ered, akár szerződés megszegése, garancia megszegése, a Graco gondatlansága vagy bármely más okból adódik.

**Graco reserves the right to make changes at any time without notice.  
Az eredeti használati útmutató fordítása. This manual contains Hungarian. MM 3A1490  
Graco Headquarters: Minneapolis  
International Offices: Belgium, China, Japan, Korea  
GRACO INC. P.O. BOX 1441 MINNEAPOLIS, MN 55440-1441  
www.graco.com**



# Cuprins

<b>1</b>	<b>Instrucțiuni de securitate importante</b> .....	<b>276</b>
	<i>Simboluri utilizate pentru marcarea instrucțiunilor</i> .....	276
	<i>Avertizări</i> .....	276
<b>2</b>	<b>Descriere</b> .....	<b>278</b>
	<i>Scop</i> .....	278
	<i>Instrucțiuni de utilizare</i> .....	279
	<i>Scop și destinație</i> .....	279
	<i>Informații suplimentare</i> .....	279
	<i>Înainte de utilizare</i> .....	279
<b>3</b>	<b>Înainte de prima utilizare</b> .....	<b>280</b>
	<i>Instalare</i> .....	280
	<i>Racordarea furtunului de înaltă presiune</i> .....	280
	<i>Supapă BA</i> .....	281
	<i>Ghid de instalare</i> .....	281
	<i>Întreținere</i> .....	281
	<i>Racordarea furtunului de apă</i> .....	282
	<i>Racordul electric</i> .....	282
	<i>Cablul prelungitor</i> .....	282
<b>4</b>	<b>Comandă / funcționare</b> .....	<b>283</b>
	<i>Conectarea tije de pulverizare la pistolul de pulverizare</i> .....	283
	<i>Pornirea aparatului atunci când acesta este conectat la o conductă de apă</i> .....	283
	<i>Pornirea aparatului atunci când acesta este conectat la un rezervor deschis (modul de aspirație)</i> .....	283
	<i>Reglarea presiunii cu tija de pulverizare Powerspeed Vario Plus</i> .....	284
	<i>Reglarea presiunii cu duza FlexoPower Plus</i> .....	284
	<i>Utilizarea detergenților</i> .....	284
<b>5</b>	<b>Domenii și metode de utilizare</b> .....	<b>285</b>
	<i>Tehnici</i> .....	285
	<i>Înmuierea</i> .....	285
	<i>Aplicarea detergentului și a spumei</i> .....	285
	<i>Temperatura</i> .....	285
	<i>Acțiune mecanică</i> .....	285
	<i>Debit sau presiune mare</i> .....	285
<b>6</b>	<b>După utilizare</b> .....	<b>286</b>
	<i>Oprirea aparatului</i> .....	286
	<i>Rularea cablului electric și depozitarea accesoriilor</i> .....	286
	<i>Depozitare</i> .....	286
	<i>Depozitarea aparatului (sub 0°C)</i> .....	286
<b>7</b>	<b>Depanare</b> .....	<b>287</b>
<b>8</b>	<b>Informații suplimentare</b> .....	<b>288</b>
	<i>Transport</i> .....	288
	<i>Reparații și întreținere</i> .....	288
	<i>Reciclarea aparatului</i> .....	288
	<i>Garanție</i> .....	288
	<i>Declarația de conformitate CE</i> .....	289
	<i>Caracteristici tehnice</i> .....	290
	<i>Garanția standard Graco</i> .....	291

# 1 Instrucțiuni de securitate importante

Simboluri utilizate pentru  
marcarea instrucțiunilor

## PERICOL

Pericol care conduce direct la răni grave și ireversibile sau la moarte.

## AVERTIZARE

Pericol care poate conduce la răni grave sau la moarte.

## ATENȚIE

Pericol care poate conduce la răni ușoare sau daune materiale.

Avertizări

## AVERTIZARE

- Trebuie exclus orice mod de lucru care prejudiciază siguranța.
- Nu modificați componentele pentru protecție mecanică, electrică sau termică.
- Acest aparat nu trebuie utilizat de către copii sau persoane cu abilități fizice, senzoriale sau mentale scăzute, fără experiența și cunoștințele necesare, decât dacă sunt supravegheați sau instruiți.
- Acest aparat trebuie utilizat exclusiv cu produsele de curățare furnizate sau recomandate de GRACO. Utilizarea altor produse de curățare poate avea efecte negative asupra siguranței aparatului.
- Pericol de explozie – Nu folosiți aparatul pentru a pulveriza lichide inflamabile.



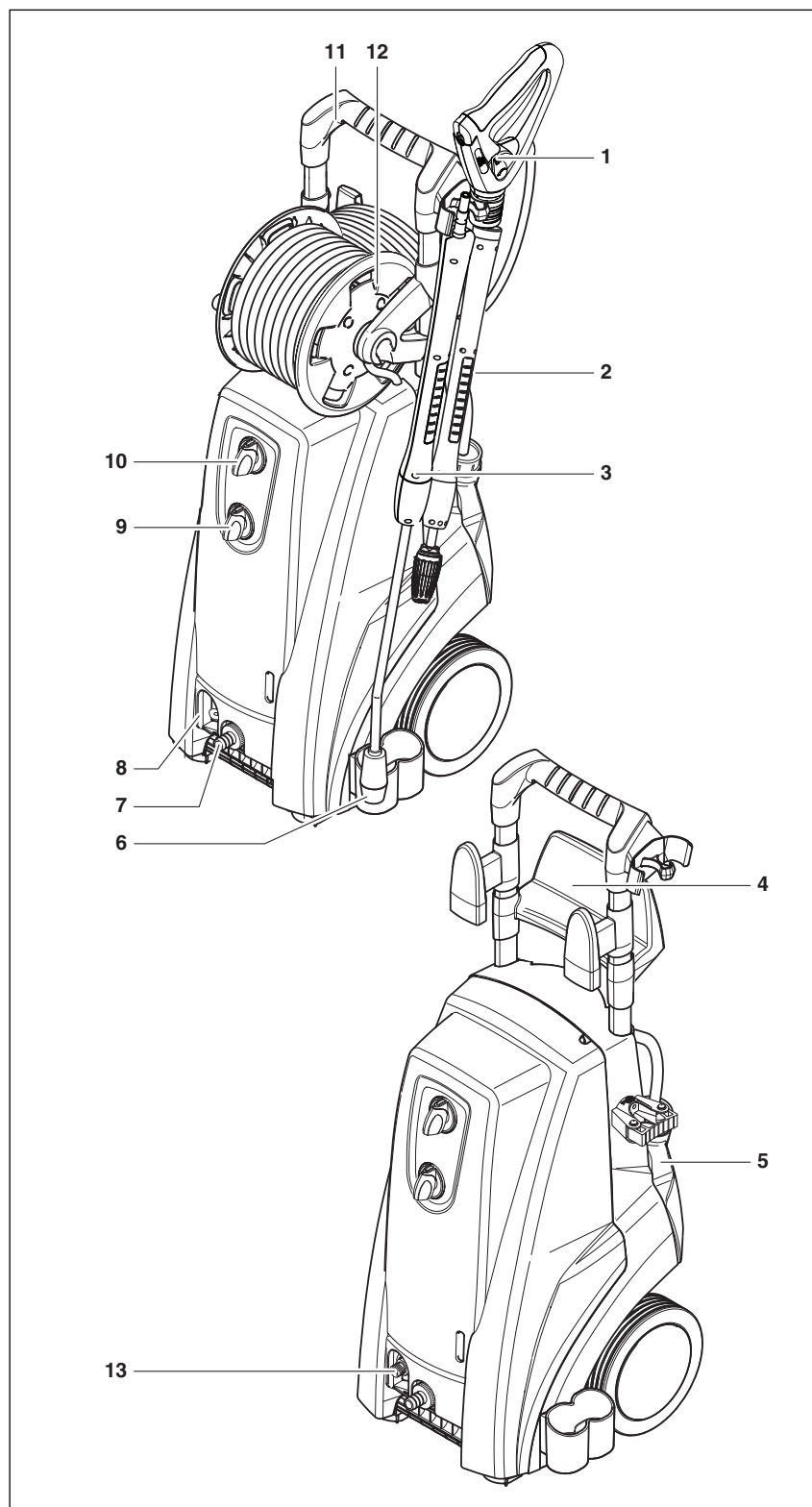
## ATENȚIE

- Jeturile de apă sub presiune pot fi periculoase. Nu îndreptați niciodată jetul de apă spre persoane, animale, echipamente electrice sub tensiune sau spre aparat.
- Nu încercați niciodată să folosiți aparatul pentru a curăța hainele sau încălțăminte dumneavoastră sau a altor persoane.
- Utilizatorul și persoanele aflate în imediata apropiere a locului în care se desfășoară operațiunea de curățare trebuie să aibă grijă să nu fie lovite de resturile dislocate în timpul operațiunilor de curățare. Purtați ochelari de protecție în timpul utilizării aparatului.
- Nu acoperiți aparatul în timpul utilizării.
- Nu utilizați niciodată aparatul într-un mediu în care există pericol de explozie. Dacă aveți dubii, luați legătura cu autoritățile locale.
- Este interzisă utilizarea aparatelor de curățare cu jet de apă sub presiune pentru curățarea suprafețelor care conțin azbest..
- Este interzisă utilizarea acestui aparat de curățare cu jet de apă sub presiune la temperaturi sub 0°C.
- Folosiți numai combustibil corespunzător, așa cum se indică în instrucțiuni. Utilizarea unor combustibili necorespunzători poate fi extrem de periculoasă.
- În timpul utilizării aparatului se produce un efect de recul la nivelul valvei pistolului și tije de pulverizare, iar în cazul în care aceasta din urmă este ținută înclinată, se creează și un cuplu de torsiune. De aceea, vă recomandăm să țineți bine pistolul și tija de pulverizare cu ambele mâini.
- Asigurați-vă că în urma operației de curățare nu vor fi eliminate substanțe periculoase de pe obiectul curățat (de ex. azbest, ulei), care pot afecta mediul înconjurător.
- Nu folosiți jetul 0° pentru a curăța părți delicate din cauciuc, material etc. Țineți duza de înaltă presiune la o anumită distanță față de suprafața de curățat pentru a preveni deteriorarea acesteia din urmă.
- Nu folosiți tehnici de lucru nesigure.
- Nu blocați pistolul pulverizator în poziția „Deschis”.

## 2 Descriere

### Scop

- |   |   |
|---|---|
| 1. Pistol de pulverizare                      | 8. Admisie apă la tamburul pentru furtun    |
| 2. Cablu electric de racordare                | 9. Întrerupător principal                   |
| 3. Țeavă de pulverizare                       | 10. Dozator de detergent                    |
| 4. Suport pentru cablul de racordare la rețea | 11. Mâner de împingere                      |
| 5. Rezervor de detergent                      | 12. Tambur de cablu <sup>1)</sup>           |
| 6. Suport al țevii de pulverizare             | 13. Racord al furtunului de înaltă presiune |
| 7. Racord de apă și filtru de intrare a apei  |   |



**Instrucțiuni de utilizare**

Înainte de a pune în funcțiune aparatul citiți neapărat acest document și păstrați-l la îndemână.

Exploatarea aparatului este supusă dispozițiilor naționale în vigoare. În afară de instrucțiunile de funcționare și regulile obligatorii, în vigoare în țara unde se utilizează aparatul, pentru prevenirea accidentelor trebuie respectate și regulile tehnice de specialitate recunoscute pentru un lucru în siguranță și corespunzător.

**Scop și destinație**

Acest aparat de curățare cu înaltă presiune a fost conceput pentru utilizare profesională. Aparatul poate fi utilizat pentru curățarea echipamentelor agricole și de construcții, a grajdurilor, a vehiculelor, a suprafețelor ruginite etc.

Aparatul nu a fost aprobat pentru utilizare în cazul suprafețelor care intră în contact cu alimente.

Utilizați întotdeauna aparatul în conformitate cu indicațiile din instrucțiunile de utilizare. Utilizarea aparatului în alt mod poate duce la deteriorarea acestuia sau a suprafeței de curățat sau la rănirea gravă a persoanelor.

**Informații suplimentare**

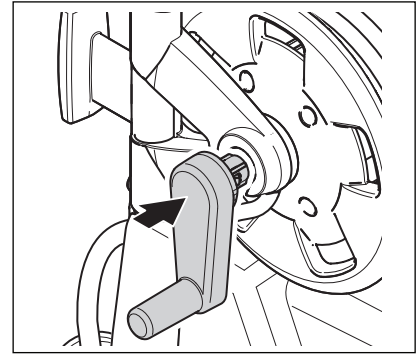
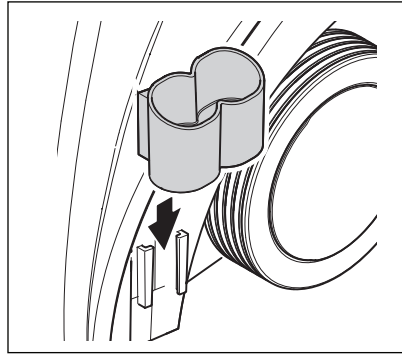
Pentru informații suplimentare, luați legătura cu reprezentantul serviciului de asistență GRACO pentru țara dumneavoastră.

**Înainte de utilizare**

Înainte de a pune aparatul în funcțiune, asigurați-vă că acesta nu prezintă defecțiuni. În cazul în care observați defecțiuni, nu porniți aparatul.

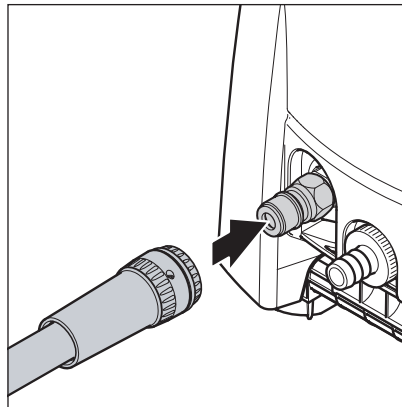
# 3 Înainte de prima utilizare

## Instalare

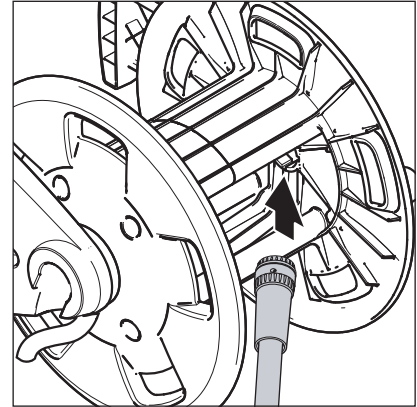


### Racordarea furtunului de înaltă presiune

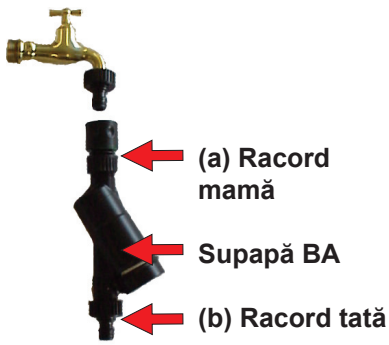
Aparate fără bobină pentru furtunul de înaltă presiune.



Aparate cu bobină pentru furtunul de înaltă presiune.



## Supapă BA



Aparatul de curățare cu înaltă presiune poate fi racordat la rețeaua de alimentare cu apă potabilă numai după instalarea unei supape de reținere corespunzătoare, de tip BA, conform EN 1717.

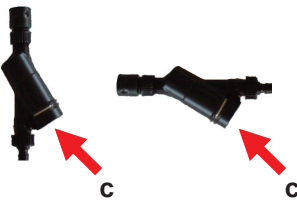
Supapa BA poate fi comandată sub numărul:

- Supapă BA inclusiv racorduri GARDENA: 106411177
- Supapă BA inclusiv racorduri NITO: 106411178
- Supapă BA inclusiv racorduri GEKA: 106411179
- Supapă BA fără racorduri: 106411184

Racordurile pot fi comandate sub numărul:

- GARDENA 3/4" (a): 32541
- GARDENA 3/4" (b): 1608629
- NITO 3/4" (a): 1602945
- NITO 3/4" (b): 1600659
- NITO 1/2" (b): 1604669
- GEKA 3/4" (a): 1718
- GEKA 3/4" (b): 1311

## Ghid de instalare



1. Montați un racord tată la robinetul de apă.
2. Conectați (a) de la supapa BA la robinetul de apă.
3. Montați un racord mamă la furtunul de admisie apă.
4. Conectați (b) de la supapa BA la furtunul de admisie de apă.
5. Conectați furtunul de admisie apă la aparatul de curățare cu înaltă presiune.
6. Dați drumul la apă și porniți mașina.

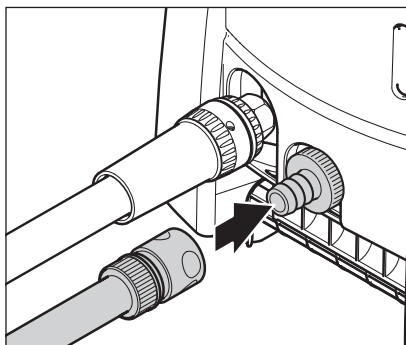
### ATENȚIE

- Supapa de reținere poate fi montată fie vertical fie orizontal, iar orificiul de golire (c) trebuie să fie orientat în jos.
- Apa care curge prin orificiul de golire (c) trebuie să curgă liber.
- Dacă există riscul de a intra nisip în admisia de apă (de ex., din fântâna proprie), trebuie montat un filtru suplimentar între robinetul de apă și supapa de reținere.
- Lungimea furtunului între supapa de reținere și aparatul de curățare cu înaltă presiune trebuie să fie de cel puțin 12 metri (diametru minim 3/4 inch) pentru a absorbi eventualele vârfuri de presiune.
- În momentul în care apa trece prin supapa BA, aceasta nu mai poate fi considerată apă potabilă.
- Protejați supapa de reținere de orice expunere la îngheț.
- Păstrați supapa de reținere curată și fără impurități.

## Întreținere

Cel puțin o dată pe an, verificați funcționarea după cum urmează:

1. După utilizare, opriți aparatul de curățare cu înaltă presiune.
2. Închideți robinetul de apă.
3. Eliberați presiunea apei din furtunul de alimentare apăsând pe pistolul pulverizator.
4. Demontați supapa de reținere. Apa trebuie să iasă din orificiul de golire (c) (max. 100 ml) pentru a asigura separarea de apă potabilă.
5. Dacă nu se întâmplă așa, încercați să curățați supapa BA sau contactați reprezentantul dumneavoastră GRACO.

**Racordarea furtunului de apă**

1. Clătiți scurt furtunul de alimentare cu apă pentru a preveni pătrunderea particulelor de nisip și a altor impurități în aparat.
2. Racordați furtunul de alimentare cu apă la aparat.
3. Deschideți robinetul de apă.

**ATENȚIE**

- În cazul în care calitatea apei este necorespunzătoare (nisip etc.), se recomandă instalarea unui filtru de admisie fin.
- Se recomandă utilizarea unui furtun de apă ranforsat cu țesătură textilă cu diametrul nominal de minim 3/4" (19 mm).

**Racordul electric**

Înainte de conectarea aparatelor cu dublă tensiune: asigurați-vă că tensiunea selectată pe aparat corespunde cu tensiunea instalației electrice. Dacă aceasta nu corespunde, există riscul distrugerii părții electrice a aparatului.

**ATENȚIE**

- Conectați aparatul numai la o priză cu împământare.
- Instalația electrică trebuie să fie realizată de către un electrician autorizat.
- Conform standardului IEC 60364-1, se recomandă ca acest aparat să fie conectat la rețeaua de alimentare cu curent electric prin intermediul unui întreruptor diferențial.
- Nu deteriorați cablul de alimentare cu energie electrică (de ex. prin trecere peste el cu mașina, prin tragere sau strivire).
- Deconectați cablul de alimentare trăgând doar de ștecher (nu trageți și nu smuciți cablul).

**Cablul prelungitor**

Utilizați ca cablu prelungitor numai modelul menționat de producător sau un model de calitate mai mare.

Aveți în vedere secțiunea minimă a cablului:

Lungime cablu	Secțiune	
	< 16 A	< 25 A
până la 20 m	1.5 mm <sup>2</sup>	2.5 mm <sup>2</sup>
20 până la 50 m	2.5 mm <sup>2</sup>	4.0 mm <sup>2</sup>

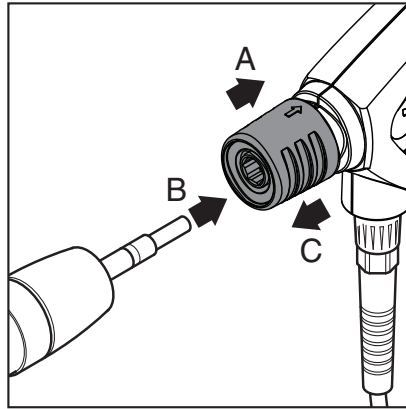
**ATENȚIE**

- În cazul utilizării unui tambur de cablu: Eliberați frâna tamburului de cablu.
- Conexiunile de cabluri trebuie menținute uscate și la distanță de sol.



## 4 Comandă / funcționare

**Conectarea tije de pulverizare la pistolul de pulverizare**

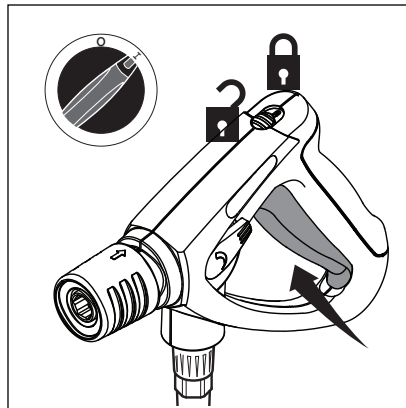


1. Trageți înapoi mânerul albastru cu eliberare rapidă (A) al pistolului pulverizator.
2. Introduceți niplul tije de pulverizare (B) în racordul instantaneu și eliberați-l.
3. Trageți tija de pulverizare (sau alt accesoriu) înainte pentru a vă asigura că este bine atașată la pistolul pulverizator.

### ATENȚIE

Îndepărtați întotdeauna toate impuritățile de pe niplu înainte de a conecta tija de pulverizare la pistolul de pulverizare.

**Pornirea aparatului atunci când acesta este conectat la o conductă de apă**

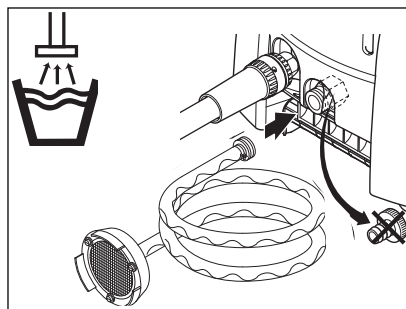


1. Comutator principal Rotiți comutatorul în poziția „I”.
2. Deblocați pistolul pulverizator și acționați-l.
3. Blocați pistolul pulverizator chiar și în timpul pauzelor scurte.

### ATENȚIE

Acționați pistolul pulverizator de câteva ori la intervale scurte pentru a evacua aerul din sistem.

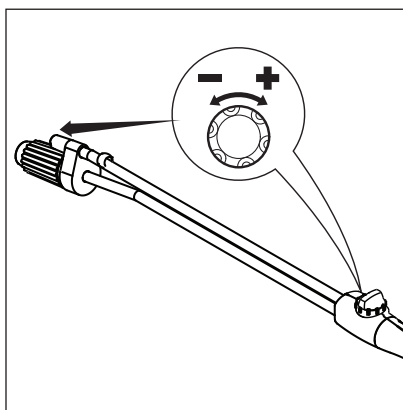
**Pornirea aparatului atunci când acesta este conectat la un rezervor deschis (modul de aspirație)**



1. Înainte de a racorda furtunul de aspirație la aparat, umpleți furtunul cu apă.
2. Comutator principal Rotiți comutatorul în poziția „I”.
3. Deblocați pistolul pulverizator și acționați-l.

Înălțimea maximă de aspirație (plin) = 1 m.

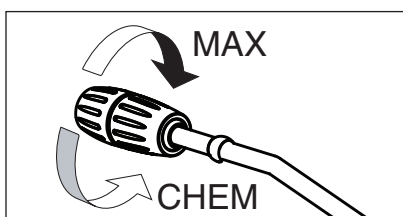
### Reglarea presiunii cu tija de pulverizare Powerspeed Vario Plus



Rotiți butonul turnant de pe unitatea de pulverizare:

- Presiune înaltă = în sensul acelor de ceasornic (+)
- Presiune joasă = în sens contrar acelor de ceasornic (-)

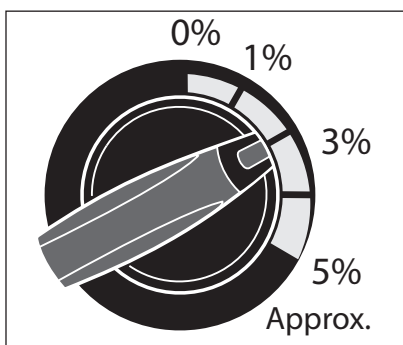
### Reglarea presiunii cu duza FlexoPower Plus



Rotiți capul duzei FlexoPower Plus:

- Presiune înaltă = MAX.
- Presiune joasă = MIN. (CHEM)

### Utilizarea detergenților



mai în cazul funcționării la joasă presiune:

1. Diluați detergențul conform instrucțiunilor producătorului.
2. Reglați regulatorul de presiune pe presiune joasă.
3. Cantitatea de detergent aspirată poate fi reglată prin rotirea valvei dozatoare.
4. Comutator principal Rotiți comutatorul în poziția „I”.
5. Acționați pistolul pulverizator.

Detergențul poate fi aspirat cu injectorul standard din dotare nu-

#### ATENȚIE

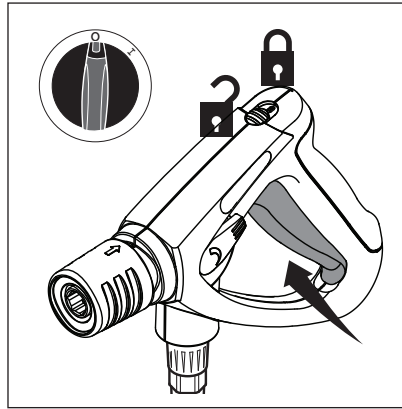
Nu lăsați niciodată detergențul să se usuce pe suprafața de curățat, deoarece acest lucru poate duce la deteriorarea suprafețelor.

## 5 Domenii și metode de utilizare

<b>Tehnici</b>	Respectând câteva principii și bazându-vă pe experiența dumneavoastră personală, puteți realiza o curățare eficientă cu ajutorul aparatului de curățare cu jet de apă sub presiune. Accesoriile și detergenții, în cazul în care sunt aleși corect, pot crește eficiența aparatului de curățare cu jet de apă sub presiune. Iată câteva informații de bază privind operațiunea de curățare.
<b>Înmuierea</b>	Straturile de murdărie groase și încrustate pot fi îndepărtate mai ușor, dacă sunt înmuiate în prealabil. Aceasta este o metodă ideală în agricultură, de exemplu în cazul cotețelor pentru porci. Rezultate ideale se pot obține prin utilizarea spumei sau a unor detergenți simpli alcalini. Lăsați produsul să acționeze pe suprafața murdară timp de aproximativ 30 de minute înainte de a curăța suprafața cu jetul de apă sub presiune. Astfel, procesul de curățare cu jet de apă sub presiune va fi mult mai rapid.
<b>Aplicarea detergentului și a spumei</b>	Spuma sau detergentul se aplică numai pe suprafețe uscate, astfel încât produsul chimic să fie în contact direct cu murdăria. Pe suprafețele verticale, de exemplu pe caroseria unei mașini, detergentul se aplică de jos în sus pentru a evita formarea urmelor care apar datorită faptului că detergentul se scurge în jos. Lăsați detergentul să acționeze timp de câteva minute înainte de a clăti, însă nu-l lăsați niciodată să se usuce pe suprafața de curățat.
<b>Temperatura</b>	Detergenții sunt mai eficienți la temperaturi mai ridicate. De asemenea, petele de grăsime și ulei pot fi dizolvate mai ușor la temperaturi mai ridicate. Proteinele pot fi dizolvate la temperaturi de aproximativ 60°C. În schimb, depunerile din trafic se curăță la 70°C, iar petele de grăsime se dizolvă la 80°C - 90°C.
<b>Acțiune mecanică</b>	Pentru a îndepărta depunerile dificile, este necesară și o acțiune mecanică. În acest scop, există tije speciale sau perii rotative, care ajută la eliminarea murdăriei.
<b>Debit sau presiune mare</b>	Curățarea cu jet de apă sub presiune nu este întotdeauna cea mai bună soluție, deoarece poate deteriora suprafețele. Efectul obținut în urma curățării depinde și de debitul apei. Un nivel de presiune de 100 bar poate fi suficient pentru curățarea unui automobil (dacă se utilizează apă caldă). Un debit mai mare permite clătirea suprafețelor și îndepărtarea mai ușoară a unor cantități mari de murdărie.

## 6 După utilizare

### Oprirea aparatului



1. Rotiți comutatorul principal în poziția „OFF“ (Oprit).
2. Închideți alimentarea cu apă de la robinet.
3. Acționați declanșatorul pistolului de pulverizare până la eliminarea totală a presiunii.
4. Fixați declanșatorul pistolului de pulverizare în poziția blocat.

### Rularea cablului electric și depozitarea accesoriilor

1. Rulați cablul de alimentare ca în figură, cu fișa în centrul tamburului de cablu.
2. Rulați furtunul de înaltă presiune ca în figură.
3. Așezați tija de pulverizare pe suportul corespunzător.

#### ATENȚIE

Pericol de împiedicare. Pentru a preveni accidentele, înfășurați întotdeauna cu atenție cablul electric și furtunul.

### Depozitare

Depozitați aparatul uscat și protejat contra înghețului.

### Depozitarea aparatului (sub 0°C)

În cazul în care aparatul de curățare cu jet de apă sub presiune este depozitat în încăperi cu temperaturi care coboară până la 0°C sau sub această valoare, este necesară aspirarea prealabilă de antigel cu ajutorul pompei.

1. Separați furtunul de apă de aparat.
2. Îndepărtați tija de pulverizare.
3. Porniți aparatul, cu comutatorul principal în poziția „I” și acționați pistolul pulverizator.
4. Racordați un furtun de aspirație scurt la orificiul de admisie a apei de pe aparat și introduceți celălalt capăt într-un rezervor care conține antigel.
5. Porniți aparatul, cu comutatorul principal în poziția „I”.
6. Țineți pistolul pulverizator deasupra rezervorului de antigel și acționați-l pentru a începe aspirația.
7. În timpul aspirației, acționați pistolul pulverizator de două-trei ori.
8. Scoateți furtunul de aspirație din rezervorul de antigel și acționați pistolul pulverizator pentru a pompa restul de antigel.
9. Opriți aparatul.

#### ATENȚIE

- Pentru a evita orice riscuri, depozitați aparatul într-o încăpere încălzită înainte de a-l utiliza din nou.
- Nu porniți niciodată aparatul, dacă acesta a fost expus înghețului.

# 7 Depanare

Defect	Cauză	Remediere
Scăderea presiunii	<ul style="list-style-type: none"> <li>Există aer în sistem</li> <li>Duza de înaltă presiune este blocată/uzată</li> <li>Rezervorul de detergent este gol</li> </ul>	<ul style="list-style-type: none"> <li>Evacuați aerul din sistem, acționând pistolul pulverizator de câteva ori la intervale scurte. Dacă este necesar, acționați aparatul pentru scurt timp fără a racorda furtunul de înaltă presiune.</li> <li>Curățați/înlocuiți duza de înaltă presiune</li> <li>Completați nivelul de detergent sau reglați dozatorul de detergent la valoarea "0".</li> </ul>
Variații de presiune	<ul style="list-style-type: none"> <li>Pompa aspiră aer (posibil numai în modul aspirație)</li> <li>Lipsa apei</li> <li>Furtunul de admisie a apei este prea lung sau secțiunea transversală este prea mică</li> <li>Lipsa apei, ca urmare a înfundării filtrului de apă</li> <li>Lipsa apei, ca urmare a nerespectării înălțimii maxime de aspirație</li> </ul>	<ul style="list-style-type: none"> <li>Asigurați-vă că setul de aspirație este etanș</li> <li>Deschideți robinetul de apă</li> <li>Folosiți un furtun de admisie cu dimensiunile indicate</li> <li>Curățați filtrul de apă de pe racordul de apă (nu lucrați niciodată fără filtru)</li> <li>A se vedea instrucțiunile</li> </ul>
Motorul nu pornește când aparatul este pus în funcțiune	<ul style="list-style-type: none"> <li>Ștecherul nu este introdus corect în priză, deci aparatul nu este alimentat cu curent electric</li> <li>A sărit siguranța de la tabloul electric</li> </ul>	<ul style="list-style-type: none"> <li>Verificați ștecherul, cablul și comutatorul și, dacă este necesar, apelați la un electrician autorizat pentru înlocuirea acestora</li> <li>Cuplați siguranța</li> </ul>
În momentul în care aparatul este pus în funcțiune, motorul face zgomot, dar nu pornește	<ul style="list-style-type: none"> <li>Tensiunea de rețea este prea joasă sau există un defect pe una din faze.</li> <li>Pompa este blocată sau înghețată</li> <li>Cablul prelungitor nu are secțiunea transversală și lungimea corespunzătoare</li> </ul>	<ul style="list-style-type: none"> <li>Solicitați verificarea instalației electrice</li> <li>Contactați serviciul clienți al GRACO</li> <li>Folosiți un cablu cu secțiunea transversală sau lungimea corespunzătoare</li> </ul>
Motorul se oprește	<ul style="list-style-type: none"> <li>S-a activat protecția la suprasarcină din cauza supraîncălzirii sau a suprasolicitării motorului</li> <li>Duza de înaltă presiune este murdară</li> </ul>	<ul style="list-style-type: none"> <li>Asigurați-vă că tensiunea de alimentare corespunde cu cea înscrisă pe aparat. Opriți aparatul și lăsați-l să se răcească cel puțin 3 minute</li> <li>Schimbați duza de înaltă presiune</li> <li>Curățați-l</li> </ul>
Aparatul nu aspiră detergent	<ul style="list-style-type: none"> <li>Injectorul este murdar sau furtunul de aspirație este înfundat</li> <li>Rezervorul de detergent este gol</li> <li>Butonul de pe duza FlexoPowerJet nu este reglat la presiune joasă</li> </ul>	<ul style="list-style-type: none"> <li>Umpleți rezervorul de detergent</li> <li>A se vedea capitolul 4.</li> </ul>

## 8 Informații suplimentare

### Transport

În cazul transportului în sau pe vehicule, vă recomandăm să fixați aparatul cu curele pentru a preveni alunecarea sau înclinarea acestuia.

Transport în poziție înclinată:

- nu înclinați aparatul pe partea frontală, unde se află racordul de apă.
- deconectați furtunul de aspirație de la rezervorul de detergent și închideți rezervorul cu capacul primit împreună cu aparatul.
- înainte de punerea în funcțiune a aparatului: asigurați-vă că uleiul a revenit în carterul pompei. Verificați nivelul de ulei și completați-l, dacă este necesar.

În cazul în care aparatul este transportat la temperaturi apropiate de 0°C sau sub această valoare, se recomandă utilizarea antigelului (a se vedea capitolul 5).

### Reparații și întreținere

Înainte de efectuarea operațiunilor de întreținere, deconectați întodeauna aparatul de la rețeaua de alimentare cu curent electric.

### Reciclarea aparatului

Aparatele scoase din uz trebuie făcute inutilizabile imediat.

1. Scoateți aparatul din priză.
2. Tăiați cablul electric.
3. Nu aruncați aparatele electrice împreună cu gunoiul menajer.



Conform Directivei europene CE/96/2002, aparatele electrice și electrocasnice vechi, precum și echipamentele electrice uzate, trebuie colectate separat și reciclate ecologic. Pentru informații suplimentare, luați legătura cu autoritățile locale sau cu cel mai apropiat furnizor.

### Garanție

În ceea ce privește garanția, sunt aplicabile condițiile noastre generale de vânzare. Sub rezerva modificărilor ca urmare a inovațiilor tehnice.

Garanția va fi anulată dacă aparatul nu este utilizat conform prezentului manual de instrucțiuni sau dacă aparatul este folosit abuziv. Garanția va fi anulată dacă aparatul nu este reparat conform celor descrise mai sus.

## Declarația de conformitate CE



# EC-DECLARATION OF CONFORMITY

EG-VERKLARING VAN OVEREENSTEMMING, DÉCLARATION DE CONFORMITÉ CE, EG-KONFORMITÄTSEKTLÄRUNG, DICHIARAZIONE DI CONFORMITÀ CE, EF-OVERENSSTEMMELSEERKLÆRING, ΕΚ-ΔΗΛΩΣΗ ΣΥΜΜΟΡΦΩΣΗΣ, DECLARAÇÃO DE CONFORMIDADE - CE, DECLARACIÓN DE CONFORMIDAD DE LA CE, EY-VAATIMUSTENMUKAISUUSVAKUUTUS, EG-DEKLARATION OM ÖVERENSSTÄMMELSE, ES PROHLÁŠENÍ O SHODĚ, EÜ VASTAVUSDEKLARATSIOON, EC MEGFEJELŐSÉGI NYILATKOZAT, EK ATBILSTĪBAS DEKLARĀCIJA, ES ATITIKTIES DEKLARĀCIJA, DEKLARACJA ZGODNOŚCI UE, DIKJARAZZJONI-KE TA' KONFORMITA', IZJAVA ES O SKLADNOSTI, ES - VYHLÁŠENIE O ZHODE, EO-ДЕКЛАРАЦИЯ ЗА СЪВМЕСТИМОСТ, DEIMHNIÚ COMHRÉIREACHTA CE, CE-DECLARAȚIE DE CONFORMITATE

## Model

AquaMax 2330E, 2335E

Modèle, Modell, Modello, Μοντέλο,  
Modelo, Malli, Mudel, Modelis, Mudell, Модел, Samhail

## Part

287428, 287429

Bestelnr., Type, Teil, Codice, Del, Μέρος, Peça,  
Referencia, Osa, Součást, Részegység, Daja, Dalis,  
Część, Taqsim, Čast, Част, Part, Parte

## Complies With The EC Directives:

Volddet aan de EG-richtlijnen, Conforme aux directives CE, Entspricht den EG-Richtlinien, Conforme alle direttive CE, Overholder EF-direktiverne, Σύμφωνα με τις Οδηγίες της ΕΚ, Em conformidade com as Directivas CE, Cumple las directivas de la CE, Täyttää EY-direktiivien vaatimukset, Uppfyller EG-direktiven, Shoda se směrnicemi ES, Vastab EÜ direktiividele, Kielegitli az EK irányelvek követelményeit, Atbilst EK direktīvām, Atitinka šias ES direktyvas, Zgodność z Dyrektywami UE, Konformi mad-Direttivi tal-KE, V skladu z direktivami ES, Je v súlade so smernicami ES, Съвместимост с Директиви на ЕО, Tá ag teacht le Treoracha an CE, Respectă directivele CE

2006/42/EC Machine Directive

2006/95/EC Low Voltage Directive

2004/108/EC EMC Directive

## Standards Used:

Gebruikte maatstaven, Normes respectées, Verwendete Normen, Norme applicate, Anvendte standarder, Πρότυπα που χρησιμοποιήθηκαν, Normas utilizadas, Normas aplicadas, Sovellettavat standardit, Tillämpade standarder, Použité normy, Rakendatud standardid, Alkalmazott szabványok, Izmantotie standarti, Taikyti standartai, Uzyte normy, Standards Uzati, Uporabljeni standardi, Použité normy, Използвани стандарти, Caidheáin arna n-úsáid, Standarde utilizate

EN 12100, EN 60335-2-79, EN 55014-1, EN 55014-2, EN 61000-3-2, DIN EN 60335-2-79

## Notified Body for Directive

Aangemelde instantie voor richtlijn, Organisme notifié pour la directive, Benannte Stelle für diese Richtlinie, Ente certificatore della direttiva, Bemyndiget organ for direktiv, Διακοινωμένο όργανο Οδηγίας, Organismo notificado relativamente à directiva, Organismo notificado de la directiva, Direktiivien mukaisesti ilmoitettu tarkastuslaitos, Anmält organ för direktivet, Úředně oznámený orgán pro směrnici, Teavitatud asutus (direktiivi järgi), Az irányelvvvel kapcsolatban értesített testület, Pilnvarotā iestāde saskaņā ar direktīvu, Apie direktīvu Informuota institūcija, Ciało powiadomione dla Dyrektywy, Korp avzat bid-Direttiva, Priglašeni organ za direktivo, Notifikovaný orgán pre smernicu, Нотифициран орган за Директива, Comhlacht ar tugadh fógra dó, Organism notificat în conformitate cu directiva

--	--	--	--

## Approved By:

Goedgekeurd door, Approuvé par, Genehmigt von, Approvato da, Godkendt af, Έγκριση από, Aprobado por, Aprobado por, Hyväksynyt, Intygas av, Schwäilit, Kinnitanud, Jóváhagyta, Apstiprināts, Patvirtino, Zatwierdzone przez, Approvat minn, Odobril, Schválené, Одобрено от, Faofa ag, Aprobat de

**Hans van Cranenbroek**

**Manufacturing, Engineering and Warehousing Manager**

10 JANUARY 2011


















Manufactured By:  
**GRACO INC.**  
88 - 11<sup>th</sup> Avenue N.E.  
Minneapolis, MN 55413  
USA

Authorized Representative:  
**GRACO N.V.**  
Slakweidestraat 31  
3630 Maasmechelen  
BELGIUM

**199382**

**A**

## Caracteristici tehnice

		AquaMax 2330E	AquaMax 2335E
	V/Ph/Hz	230/1/50	400/3/50
	A	16	10
	kW	3.3	4.2
<b>I</b>	A	15	7.6
		IP X5	IP X5
	bar/MPa	160/16	160/16
	bar/MPa	200/20	200/20
	l/h	560	700
	l/h	620	760
<b>Cleaning Impact</b>	kg/Force	3.0	3.6
		0350	0475
	°C	50	50
	bar / MPa	10/1	10/1
	mm	450 x 380 x 1040	450 x 380 x 1040
	kg	40.4	40.4
 <b>EN 60704-1</b>	dB(A)	74.6	75
 <b>L<sub>WA</sub></b>	dB(A)	87.9	90
<b>Vibration ISO 5349</b>	m/s <sup>2</sup>	< 2.5	< 2.5
<b>Recoil forces</b>	N	28	35
	l	0.225	0.225
 <b>TYPE</b>	Agip Rotra 80W-90		



## Garanția standard Graco

Graco garantează că toate echipamentele la care se face referire în acest document produse de Graco și înscrispionate cu acest nume sunt libere de defecte de material și de fabricație la data vânzării către cumpărătorul inițial. Cu excepția unor eventuale garanții speciale, extinse sau limitate emise de Graco, Graco se însarcinează să repare sau să înlocuiască, timp de douăsprezece luni de la data cumpărării, orice piesă a echipamentului a cărei defecțiune va fi constatată de către Graco. Această garanție nu este valabilă decât atunci când echipamentul a fost montat, pus în funcțiune și întreținut conform recomandărilor scrise ale Graco.

Această garanție nu acoperă următoarele, Graco nemai fiind în acest caz răspunzătoare: degradarea generală, precum și orice defecțiune, deteriorare sau uzură cauzată de instalarea defectuoasă, folosirea improprie, abraziuni, coroziuni, întreținerea necorespunzătoare sau improprie, neglijență, accidente, modificări aduse structurii sau înlocuirea unor piese cu unele de altă proveniență. Graco nu este răspunzătoare nici pentru defecțiuni, deteriorări sau uzuri cauzate de incompatibilitatea echipamentului Graco cu structuri, accesorii, echipamente sau materiale de altă proveniență, ca și de erorile de proiectare, execuție, montaj, exploatare sau întreținere ale structurilor, accesoriilor, echipamentelor sau materialelor de altă proveniență.

Această garanție este condiționată de returnarea pe cheltuiala clientului a echipamentului care se suspine a fi defect către un distribuitor autorizat Graco, pentru verificarea respectivului defect. Dacă se va constata că defectul este real, Graco va repara sau înlocui cu titlu gratuit orice piese defecte. Echipamentul va fi returnat cumpărătorului inițial, transportul fiind suportat de companie. Dacă la verificarea echipamentului nu se vor constata defecte de material sau fabricație, se vor efectua reparații la un tarif rezonabil, în care va putea intra costul pieselor de schimb, al manoperei și al transportului.

PREZENTA GARANȚIE EXCLUDE <sup>a1</sup> SUPLINE<sup>aTE</sup> ORICE ALTE GARANȚII, EXPRESE SAU IMPLICITE, INCLUZÂND, DAR FĂRĂ A SE LIMITA LA ACESTEA, GARANȚIA DE VANDABILITATE SAU CEA DE POTRIVIRE PENTRU UN ANUMIT SCOP.

Unica obligație a Graco și unicul drept la reparație al cumpărătorului pentru orice încălcare a garanției va fi conform celor specificate mai sus. Cumpărătorul consimte că nu va mai avea la dispoziție nici un alt drept la reparație (inclusiv, dar fără a se limita la acestea, cel de a cere daune incidentale sau de consecință pentru pierderi de profit, de vânzări, vătămări corporale sau prejudicii materiale, precum și pentru orice altă pierdere incidentală sau de consecință). Orice acțiune juridică ce ar invoca încălcarea garanției trebuie inițiată în termen de cel mult doi (2) ani de la data cumpărării.

GRACO NU OFERĂ NICIO GARANȚIE <sup>a1</sup> NU RECUNOA<sup>aTE</sup> NICIO GARANȚIE IMPLICITĂ DE VANDABILITATE SAU DE POTRIVIRE UNUI ANUMIT SCOP, ÎN LEGĂTURĂ CU ORICE ACCESORII, ECHIPAMENTE, MATERIALE SAU COMPONENTE PE CARE GRACO LE COMERCIALIZEAZĂ, DAR NU LE PRODUCE. Aceste produse vândute, dar nu produse de Graco (de exemplu motoare electrice, întrerupătoare, furtune etc.), beneficiază, dacă este cazul, de garanție din partea producătorului lor. Graco va oferi cumpărătorului, în limite rezonabile, asistență în formularea eventualelor reclamații de încălcare a garanțiilor respective.

În nicio împrejurare Graco nu va fi răspunzătoare pentru daune indirecte, incidentale, speciale sau de consecință rezultate din faptul că Graco a furnizat echipament în aceste condiții, precum și din punerea la dispoziție, acționarea sau exploatarea oricăror produse sau alte bunuri vândute prin prezentul document, fie din cauza unei încălcări a contractului, a garanției, din neglijența Graco sau din alte cauze.

**Graco reserves the right to make changes at any time without notice.**

**Traducerea Manualului de utilizare original. This manual contains Romanian. MM 3A1490**

**Graco Headquarters: Minneapolis**

**International Offices: Belgium, China, Japan, Korea**

**GRACO INC. P.O. BOX 1441 MINNEAPOLIS, MN 55440-1441**

**www.graco.com**

# Содержание

<b>1</b>	<b>Правила безопасности .....</b>	<b>293</b>
	<i>Маркировка указаний .....</i>	293
	<i>Предупреждение .....</i>	293
<b>2</b>	<b>Описание .....</b>	<b>295</b>
	<i>Органы управления .....</i>	295
	<i>Инструкция по эксплуатации .....</i>	296
	<i>Назначение машины .....</i>	296
	<i>поддержка .....</i>	296
	<i>Перед использованием .....</i>	296
<b>3</b>	<b>Подготовка к работе .....</b>	<b>297</b>
	<i>Установка .....</i>	297
	<i>Присоединение шланга высокого давления .....</i>	297
	<i>Клапан ВА .....</i>	298
	<i>Руководство по установке .....</i>	298
	<i>Техническое обслуживание .....</i>	298
	<i>Присоединение шланга подачи воды .....</i>	299
	<i>Электрическое подсоединение .....</i>	299
	<i>Кабель .....</i>	299
<b>4</b>	<b>Использование мойки .....</b>	<b>300</b>
	<i>Присоединение трубки распылителя к спусковому устройству .....</i>	300
<b>5</b>	<b>Методы применения .....</b>	<b>301</b>
	<i>Общая информация .....</i>	301
	<i>Пропитка .....</i>	301
	<i>Моющие средства и пена .....</i>	301
	<i>Температура .....</i>	301
	<i>Механический эффект .....</i>	301
	<i>Высокое давление или большой объем воды .....</i>	301
<b>6</b>	<b>Устранение неполадок .....</b>	<b>302</b>
<b>7</b>	<b>Дополнительная информация .....</b>	<b>303</b>
	<i>Транспортировка .....</i>	303
	<i>Обслуживание и ремонт .....</i>	303
	<i>Рисайклинг пылесоса .....</i>	303
	<i>Гарантия .....</i>	303
	<i>Сертификат соответствия ЕС .....</i>	304
	<i>Технические данные .....</i>	305
	<i>Стандартная гарантия компании Graco .....</i>	306

# 1 Правила безопасности

## Маркировка указаний

### ОПАСНОСТЬ

Опасность, которая непосредственно повлечет за собой тяжелое и необратимое травмирование или смерть.

### ПРЕДУПРЕЖДЕНИЕ

Опасность, которая может повлечь за собой тяжелое травмирование или смерть.

### ОСТОРОЖНО

Опасность, которая может повлечь за собой легкое травмирование или материальный ущерб.

## Предупреждение

### ПРЕДУПРЕЖДЕНИЕ

- Запрещается любая эксплуатация, не отвечающая технике безопасности.
- Не вносите какие-либо изменения в защитные устройства механического, электрического или термального действия.
- Прибор не должен эксплуатироваться детьми или людьми с ограниченными физическими, сенсорными или умственными способностями, либо людьми с отсутствием опыта и знаний, кроме случаев, когда они были проинструктированы или эксплуатируют прибор присмотром.
- данная машина должна использоваться исключительно с чистящими химическими средствами, поставляемыми или рекомендованными GRACO. Использование других чистящих химических средств может негативно повлиять на надежность машины.
- Опасность взрыва – запрещается использовать моечную машину для распыления при применении легковоспламеняющихся жидкостей!



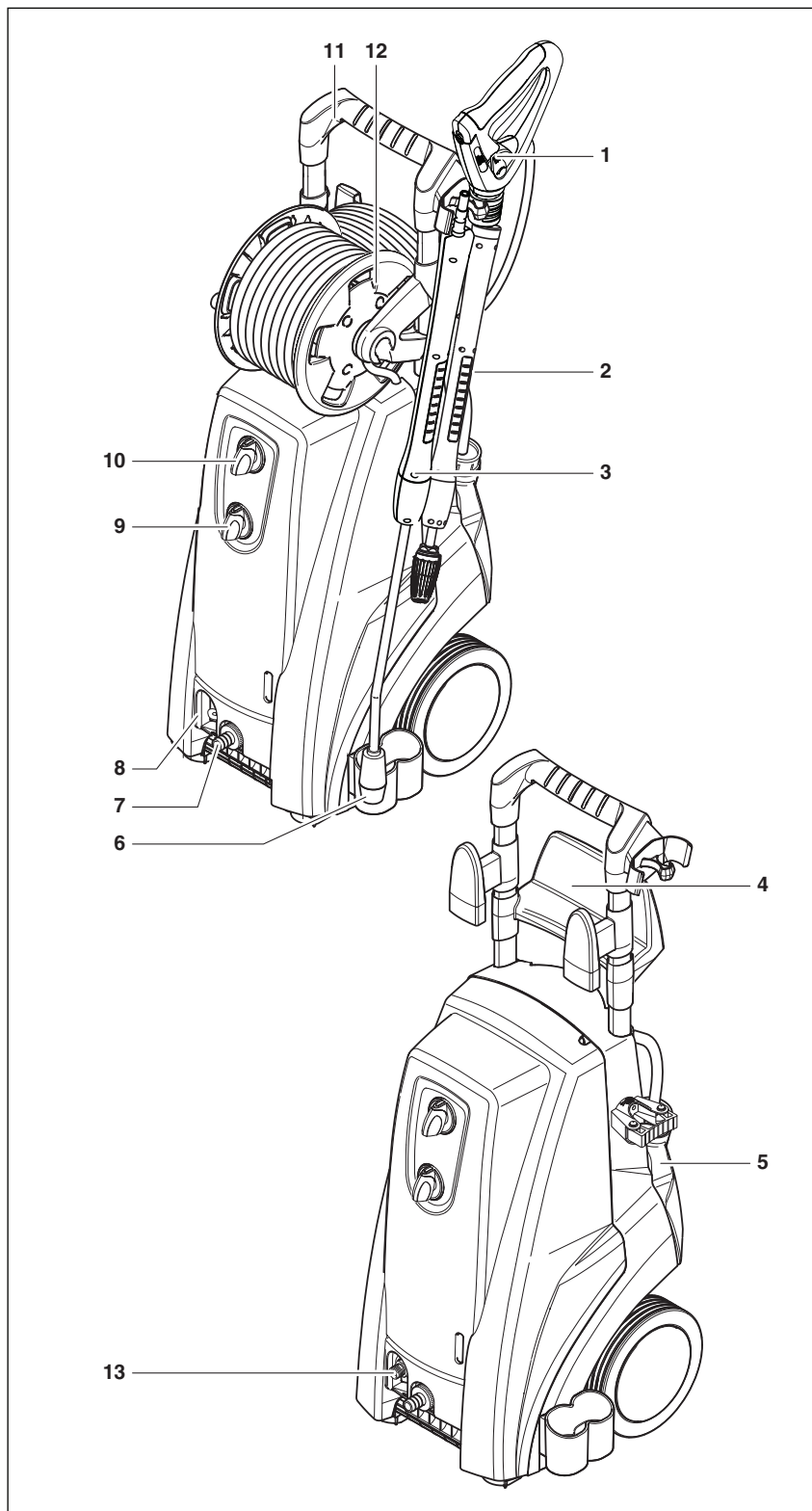
## ОСТОРОЖНО

- Сопла высокого давления могут представлять опасность. Никогда не направляйте водяную струю на людей, животных, работающее электрооборудование или саму машину
- Никогда не пытайтесь чистить одежду или обувь на себе или на других людях.
- Оператор и все люди в непосредственной близости от места чистки должны соблюдать меры предосторожности, чтобы защитить себя от ударов частиц, смываемых машиной во время работы. Во время эксплуатации используйте защитные очки.
- Не закрывайте установку во время эксплуатации и не используйте ее в помещении без достаточной вентиляции!
- Никогда не используйте машину в условиях, в которых существует опасность взрыва. При возникновении каких-либо сомнений свяжитесь с местными органами технадзора.
- Не разрешается выполнять чистку под высоким давлением асбестосодержащих поверхностей.
- Данную моечную машину высокого давления нельзя использовать при температуре ниже 0°C.
- Используйте только приведенные пригодные виды топлива. Несоответствующее топливо может вызвать серьезные повреждения.
- Во время работы на распылительное устройство действует сила тдачи, а также момент , если распылитель держится под углом. Не направляйте струю на себя или других людей для мытья одежды или обуви.
- Не рекомендуется чистить изделия, изготовленные из тонкой резины и ткани или подобных материалов тонкой струей высокого давления. При чистке соблюдайте достаточное расстояние между соплом и поверхностью во избежание повреждений поверхности, подлежащей чистке.
- Недопустимо тянуть за шланг высокого давления для перевозки аппарата. Максимальне допустимые рабочие температура и давление нанесены на шланге.
- Никогда не включайте аппарат без воды. Даже кратковременное отсутствие воды приводит к серьезному повреждениюуплотнителей помпы.
- Не закрепляйте выключатель на ручке в открытом положении.

## 2 Описание

### Органы управления

- |   |  |
|---|--|
| 1. Распылительное устройство            | 8. Подвод воды к катушке для шланга              |
| 2. Электрический кабель                 | 9. Главный выключатель                           |
| 3. Трубка распылителя                   | 10. Дозирование моющих средств                   |
| 4. Держатель для электрического кабеля  | 11. Ручка  |
| 5. Бак для моющих средств               | 12. Барабан для наматывания шланга <sup>1)</sup> |
| 6. Держатель для трубки распылителя     | 13. Подсоединение шланга высокого давления       |
| 7. Подсоединение воды и фильтр для воды |  |



<sup>1)</sup> Специальные принадлежности для различных вариантов модели  
Перевод оригинального руководства по эксплуатации

## **Инструкция по эксплуатации**



Перед вводом машины в эксплуатацию обязательно прочтите этот документ и храните его по рукой.

Эксплуатация машины разрешается по действующим в стране нормам.

Наряду с руководством по эксплуатации и действующими в стране правилами по предупреждению несчастных случаев необходимо соблюдать также общепринятые специальные правила по технике безопасности и квалифицированному выполнению работ.

## **Назначение машины**

Данный очиститель высокого давления предназначен для профессионального использования. Он может применяться для очистки сельскохозяйственного и строительного оборудования, конюшен, транспортных средств, ржавых поверхностей и т. д.

Машина не сертифицирована для очистки поверхностей, контактирующих с пищевыми продуктами.

Любое другое использование считается использованием не по назначению. Изготовитель не несет ответственности за причиненный в результате этого ущерб. К использованию по назначению также относится соблюдение предписанных изготовителем условий эксплуатации, технического ухода и поддержания в исправности.

## **поддержка**

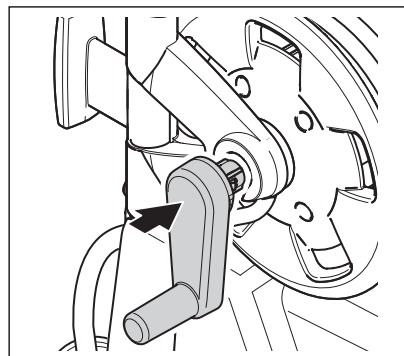
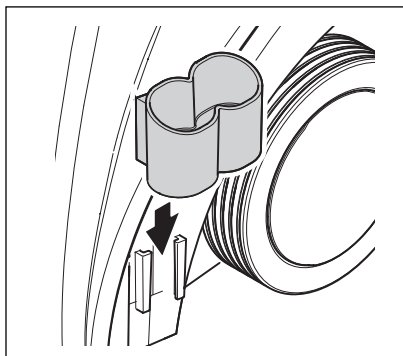
По другим вопросам обращайтесь в соответствующую сервисную службу фирмы GRACO в Вашей стране.

## **Перед использованием**

Перед запуском машины тщательно проверьте ее и убедитесь в отсутствии дефектов. В случае обнаружения дефектов не включайте машину и свяжитесь с дистрибьютором GRACO.

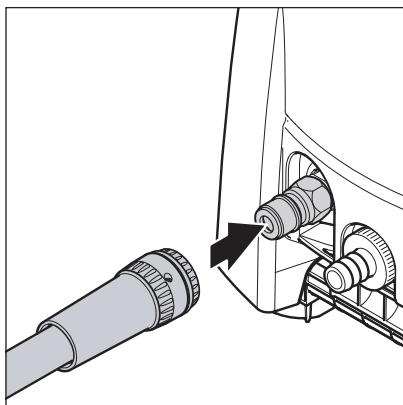
### 3 Подготовка к работе

#### Установка

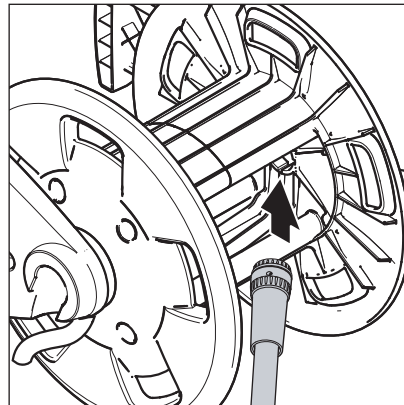


#### Присоединение шланга высокого давления

Мойки без барабана для наматывания шланга.



Мойки с барабаном для наматывания шланга.



**Клапан ВА**

- (a) Соединение с внутренней резьбой  
Клапан ВА
- (b) Соединение с наружной резьбой



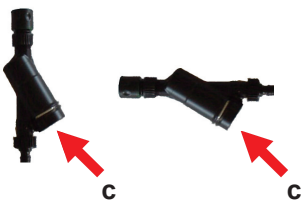
Допускается подключение данного очистителя высокого давления только к водопроводным сетям с питьевой водой и при условии установки соответствующего обратного клапана (тип ВА в соответствии с требованиями EN 1717).

Клапан ВА можно заказать под следующим номером:

- Клапан ВА в комплекте с соединениями GARDENA: 106411177
- Клапан ВА в комплекте с соединениями NITO: 106411178
- Клапан ВА в комплекте с соединениями GEKA: 106411179
- Клапан ВА без соединений: 106411184

Соединения можно заказать согласно номеру:

- 3/4" GARDENA (a): 32541
- 3/4" GARDENA (b): 1608629
- 3/4" NITO (a): 1602945
- 3/4" NITO (b): 1600659
- 1/2" NITO (b): 1604669
- 3/4" GEKA (a): 1718
- 3/4" GEKA (b): 1311

**Руководство по установке**

1. Установите соединение с наружной резьбой на водопроводный кран.
2. Подсоедините клапан ВА стороной (а) к водопроводному крану.
3. Установите соединение с внутренней резьбой на водозаборный шланг.
4. Подсоедините клапан ВА стороной (b) к водозаборному шлангу.
5. Подсоедините водозаборный шланг к высоконапорному моечному аппарату.
6. Откройте воду и включите аппарат.

**ОСТОРОЖНО**

- При подключении обратный клапан можно устанавливать как вертикально, так и горизонтально, но дренажное отверстие (с) должно быть направлено вниз.
- Необходимо обеспечить возможность свободного вытекания воды из дренажного отверстия (с).
- Если в подводимую воду может попасть песок (например, из вашей собственной скважины), то между водопроводным краном и обратным клапаном необходимо поставить дополнительный фильтр.
- Длина шланга между обратным клапаном и очистителем высокого давления должна составлять по меньшей мере 6 метров (минимальный диаметр  $\frac{3}{4}$  дюйма) для сглаживания возможных пиков давления.
- После прохождения через клапан ВА вода не может считаться питьевой.
- Следует оберегать обратный клапан от обмерзания.
- Поддерживайте обратный клапан в чистом, незагрязненном состоянии.

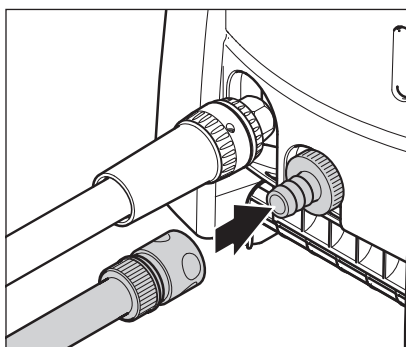
**Техническое обслуживание**

Минимум раз в год проводите следующую проверку:

1. По окончании работы выключите высоконапорный моечный аппарат.
2. Закройте водопроводный кран.
3. Сбросьте давление в шланге подачи воды, нажав на спуск пистолета-распылителя.
4. Снимите обратный клапан. Из дренажного отверстия (с) должно вылиться немного воды (макс. 100мл), что свидетельствует об отделении питьевой воды.
5. Если этого не произошло, попробуйте прочистить клапан ВА или свяжитесь с вашим представителем GRACO.



## Присоединение шланга подачи воды



1. Присоединить к шлангу приложенную насадку.
2. Перед присоединением шланга подачи воды, промыть его водой для исключения попадания в мойку песка и грязи.
3. Присоединить шланг с помощью быстросъемного байонетного соединения.
4. Открыть кран.

### ОСТОРОЖНО

- В случае низкого качества воды (песок и т.п.), рекомендуем использовать фильтр тонкой очистки воды на входе в аппарат.
- Для подключения мойки использовать армированный водяной шланг с диаметром не менее 3/4" (19 мм).

## Электрическое подсоединение



Перед тем, как подключить устройство к сети, обязательно проследите за тем, чтобы у моечных машин с возможностью переключения напряжения было выбрано правильное напряжение. В ином случае это может привести к повреждению электрических элементов мойки.

### ОСТОРОЖНО

- Подключайте машину только к электропроводке с заземлением.
- Электропроводка должна быть выполнена квалифицированным электриком.
- Согласно требованиям IEC- 60364-1 настоятельно рекомендуется снабдить электропривод машины устройством защитного отключения (GFCI).
- Проверьте перед подключением к электрической сети, чтобы питающее напряжение, указанное на табличке с параметрами моечной машины соответствовало напряжению питающей сети.

## Кабель

В качестве удлинителя применять только исполнение, указанное изготовителем или более высокого качества.

При использовании удлинительного шнура соблюдать следующие минимальные сечения:

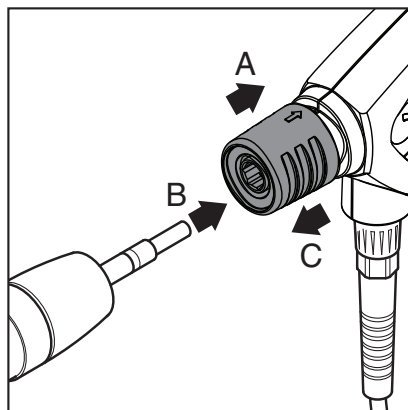
длина кабеля	Сечение	
	< 16 А	< 25 А
до 20 м	1.5 mm <sup>2</sup>	2.5 mm <sup>2</sup>
20 до 50 м	2.5 mm <sup>2</sup>	4.0 mm <sup>2</sup>

### ОСТОРОЖНО

- При использовании барабанов для кабеля: Во избежание перегрева и возникновения пожара, кабель всегда разматывать полностью.
- Разъемы кабелей должны быть всегда сухими и не касаться земли.

## 4 Использование мойки

Присоединение трубки распылителя к спусковому устройству



1. Оттяните назад быстродействующую ручку (A) распылителя.
2. Вставьте ниппель наконечника распылителя (B) в быстросъемный коннектор и отпустите его.
3. Потяните наконечник распылителя (или другой аксессуар) вперед для проверки надежности его соединения с распылителем.

### ОСТОРОЖНО

Перед присоединением насадок всегда очищайте ниппель от загрязнения.

# 5 Методы применения

<b>Общая информация</b>	<p>Эффективная очистка достигается при соблюдении некоторых основных приемов в сочетании с вашим личным опытом в технологии чистки.</p> <p>Правильно выбранные принадлежности и моющие вещества увеличивают эффективность использования моечной машины. Ниже рассмотрена основная информация об очистке.</p>
<b>Пропитка</b>	<p>Покрытые или плотные слои грязи могут быть сняты или размягчены, если их намочить и дать пропитаться.</p> <p>Например, это идеальный метод в сельском хозяйстве для очистки свинарников. Идеальный результат достигается при использовании пены или простого щелочного агента. Дайте моющим средствам впитаться в грязную поверхность в течение около 30 минут перед чисткой под давлением. Результатом будет гораздо более быстрый процесс очистки.</p>
<b>Моющие средства и пена</b>	<p>Нанесение пены или моющего вещества производится на сухую поверхность, чтобы химическое взаимодействие происходило напрямую с грязью.</p> <p>Моющие средства наносятся снизу вверх, например при мытье автомобиля, для того чтобы исключить “сверх-чистые” участки, где средство собирается в высоких концентрациях и стекает вниз. Дайте средству прореагировать несколько минут перед тем как смывать.</p>
<b>Температура</b>	<p>Моющие средства более эффективны при высоких температурах. Смазки, масла и жиры тоже лучше смываются при высокой температуре. Белки лучше очищаются при температурах около 60°C. Масла, загрязнения и смазки могут очищаться при температурах между 70° и 90°C.</p>
<b>Механический эффект</b>	<p>Чтобы удалить жесткие слои грязи может понадобится дополнительный механический эффект. Специальные сопла и вращающиеся щетки позволяют создать этот эффект. Используйте щетку для удаления, например грязевой пленки.</p>
<b>Высокое давление или большой объем воды</b>	<p>Высокое давление не всегда лучшее решение т.к. можно повредить поверхность. Моющий эффект также зависит от количества воды. Давление приблизительно около 100 бар может быть достаточным для мытья машины (в сочетании с горячей водой). Большой объем воды облегчает смывание больших объемов загрязнений.</p>

## 6 Устранение неполадок

Неисправность	Причина	Решение
Падение давления	<ul style="list-style-type: none"> <li>• Воздух в системе</li> <li>• Засорено / изношено сопло</li> <li>• Бак для моющего средства пустой.</li> </ul>	<ul style="list-style-type: none"> <li>• Продуйте систему быстро несколько раз, нажав на курок распылителя. Если необходимо, включите мойку без подключения шланга высокого давления.</li> <li>• Очистите/замените сопло</li> <li>• Заполнить бак для моющего средства или установить дозирующий вентиль в положение «0».</li> </ul>
Броски давления	<ul style="list-style-type: none"> <li>• Помпа подсасывает воздух (возможно только в режиме всасывания)</li> <li>• Недостаток воды</li> <li>• Слишком большая длина подающего шланга или его сечение очень мало</li> <li>• Недостаток воды из-за превышения высоты подъема воды</li> <li>• Недостаток воды, вызванный засорением фильтра</li> <li>• Поврежден кабель или розетка</li> </ul>	<ul style="list-style-type: none"> <li>• Проверьте всасывающий комплект на герметичность</li> <li>• Откройте кран</li> <li>• Используйте подходящий по параметрам шланг</li> <li>• Очистите или замените фильтр (никогда не работайте без фильтра)</li> <li>• См. инструкцию</li> </ul>
При включении мойки не работает двигатель	<ul style="list-style-type: none"> <li>• Выключен автоматический предохранитель на щитке.</li> <li>• Недостаточное напряжение в сети или неправильная фазировка.</li> <li>• Помпа заблокирована или замерзла</li> <li>• Неправильная длина или сечение удлинительного кабеля</li> <li>• Сработала защита от перегрузок из-за перегрузки или перегрева мотора</li> </ul>	<ul style="list-style-type: none"> <li>• Проверьте кабель и другое оборудование на наличие дефектов и при необходимости заменит</li> <li>• Включите автомат</li> </ul>
При включении мойки двигатель гудит, но не вращается	<ul style="list-style-type: none"> <li>• Проверьте параметры сети</li> <li>• Обратитесь в сервис</li> <li>• Используйте подходящий по параметрам удлинитель</li> </ul>	<ul style="list-style-type: none"> <li>• Проверьте соответствие напряжения в сети и указанного на мойке. Выключите мойку и дайте ей остыть не менее 3 минут</li> </ul>
Мотор самопроизвольно выключился	<ul style="list-style-type: none"> <li>• Проверьте соответствие напряжения в сети и указанного на мойке. Выключите мойку и дайте ей остыть не менее 3 минут</li> <li>• Замените сопло</li> <li>• Очистить</li> </ul>	<ul style="list-style-type: none"> <li>• Проверьте соответствие напряжения в сети и указанного на мойке. Выключите мойку и дайте ей остыть не менее 3 минут</li> <li>• Замените сопло</li> <li>• Очистить</li> </ul>
При использовании инжектора моющих средств, не подается моющий раствор	<ul style="list-style-type: none"> <li>• Сопло засорено</li> <li>• Инжектор загрязнен или заблокирован всасывающий шланг</li> <li>• Резервуар с моющим средством пуст</li> <li>• Регулятор давления на распылителе не установлен на минимальное давление</li> </ul>	<ul style="list-style-type: none"> <li>• Наполните емкость</li> <li>• Поверните регулятор против часовой стрелки до упора</li> </ul>

# 7 Дополнительная информация

## Транспортировка

При транспортировке в и на автомобиле рекомендуется использовать ремни для предотвращения падения и скольжения мойки.

При транспортировке мойки в горизонтальном положении:

- Не переворачивать и не ложить мойку на бок с входными отверстиями.
- Вынуть шланг из бака для моющих средств и закрыть бак поставленной с мойкой крышкой.
- Перед включением мойки: обратить внимание на то, чтобы масло стекло обратно в корпус насос. Проверить уровень масла, при необходимости долить масло.

Если вы перевозите мойку и принадлежности при температуре в пределах или ниже 0 °С, рекомендуем использовать антифриз, как описано в главе 6.

## Обслуживание и ремонт

Всегда отключайте силовой кабель от розетки перед чисткой или обслуживанием мойки.

## Рисайклинг пылесоса

Отслуживший свой срок пылесос сразу привести в негодное состояние.

1. Вынуть штекер из розетки.
2. перерезать шнур для подсоединения к сети.
3. Не выбрасывать электроприборы в бытовой мусор.



Согласно Европейской Директиве 2002/96/EG по старым электрическим и электронным устройствам эти электроустройства должны собираться отдельно и поступать на рисайклинг без ущерба для окружающей среды. В случае вопросов обратитесь в коммунальное

## Гарантия

Обычные условия гарантийного и послегарантийного обслуживания. (см. гарантийный талон)

Производитель оставляет за собой право на изменения в руководстве.

## Сертификат соответствия ЕС



# EC-DECLARATION OF CONFORMITY

EG-VERKLARING VAN OVEREENSTEMMING, DÉCLARATION DE CONFORMITÉ CE, EG-KONFORMITÄTSEKTLÄRUNG, DICHIARAZIONE DI CONFORMITÀ CE, EF-OVERENSSTEMMELSESEKTLÆRING, ΕΚ-ΔΗΛΩΣΗ ΣΥΜΜΟΡΦΩΣΗΣ, DECLARAÇÃO DE CONFORMIDADE - CE, DECLARACIÓN DE CONFORMIDAD DE LA CE, EY-VAATIMUSTENMUKAISUUSVAKUUTUS, EG-DEKLARATION OM ÖVERENSSTÄMMELSE, ES PROHLÁŠENÍ O SHODĚ, EÜ VASTAVUSDEKLARATSIOON, EC MEGFEJELŐSÉGI NYILATKOZAT, EK ATBILSTĪBAS DEKLARĀCIJA, ES ATĪTĪKĪES DEKLARĀCIJA, DEKLARACJA ZGODNOŚCI UE, DIKJARAZZJONI-KE TA' KONFORMITA', IZJAVA ES O SKLADNOSTI, ES - VYHLÁŠENIE O ZHODE, EO-ДЕКЛАРАЦИЯ ЗА СЪВМЕСТИМОСТ, DEIMHNIÚ COMHRÉIREACHTA CE, CE-DECLARAȚIE DE CONFORMITATE

## Model

Modèle, Modell, Modello, Μοντέλο, Modelo, Malli, Mudel, Modelis, Mudell, Модел, Samhail

**AquaMax 2330E, 2335E**

## Part

Bestelnr., Type, Teil, Codice, Del, Μέρος, Peça, Referencia, Osa, Součást, Részegység, Daja, Dalis, Część, Taqsim, Čast', Част', Páirt, Parte

**287428, 287429**

## Complies With The EC Directives:

Voldeet aan de EG-richtlijnen, Conforme aux directives CE, Entspricht den EG-Richtlinien, Conforme alle direttive CE, Overholder EF-direktiverne, Σύμφωνα με τις Οδηγίες της ΕΚ, Em conformidade com as Directivas CE, Cumple las directivas de la CE, Täyttää EY-direktiivien vaatimukset, Uppfyller EG-direktiven, Shoda se směrnicemi ES, Vastab EÜ direktiividele, Kielégíti az EK irányelvek követelményeit, Atbilst EK direktīvām, Atitinka šias ES direktyvas, Zgodność z Dyrektywami UE, Konformi mad-Direttivi tal-KE, V skladu z direktivami ES, Je v súlade so smernicami ES, Съвместимост с Директиви на ЕО, Tá ag teacht le Treoracha an CE, Respectă directivele CE

2006/42/EC Machine Directive

2006/95/EC Low Voltage Directive

2004/108/EC EMC Directive

## Standards Used:

Gebruikte maatstaven, Normes respectées, Verwendete Normen, Norme applicate, Anvendte standarder, Πρότυπα που χρησιμοποιήθηκαν, Normas utilizadas, Normas aplicadas, Sovellettavat standardit, Tillämpade standarder, Použité normy, Rakendatud standardid, Alkalmazott szabványok, Izmantotie standarti, Taikyti standartai, Użyte normy, Standards Uzati, Uporabljeni standardi, Použité normy, Използвани стандарти, Caidheáin arna n-úsáid, Standarde utilizate

EN 12100, EN 60335-2-79, EN 55014-1, EN 55014-2, EN 61000-3-2, DIN EN 60335-2-79

## Notified Body for Directive

Aangemelde instantie voor richtlijn, Organisme notifié pour la directive, Benannte Stelle für diese Richtlinie, Ente certificatore della direttiva, Bemyndiget organ for direktiv, Διακοινωμένο όργανο Οδηγίας, Organismo notificado relativamente à directiva, Organismo notificado de la directiva, Direktiivin mukaisesti ilmoitettu tarkastuslaitos, Anmält organ för direktivet, Úředně oznámený orgán pro směrnici, Teavitatud asutus (direktiivi järgi), Az irányelvvél kapcsolatban értesített testület, Pilnvarotā iestāde saskaņā ar direktīvu, Apie direktīvu Informuota institūcija, Ciało powiadomione dla Dyrektywy, Korp avzat bid-Direttiva, Priglašeni organ za direktivo, Notifikovaný orgán pre smernicu, Нотифициран орган за Директива, Comhlacht ar tugadh fógra dó, Organism notificat în conformitate cu directiva

--	--	--	--

## Approved By:

Goedgekeurd door, Approuvé par, Genehmigt von, Approvato da, Godkendt af, Έγκριση από, Aprovado por, Aprobado por, Hyväksynyt, Intygas av, Schwäilit, Kinnitanud, Jóváhagyta, Apstiprināts, Patvirtino, Zatwierdzone przez, Approvat minn, Dobril, Schválené, Одобрено от, Faofa ag, Aprobat de

**Hans van Cranenbroek**

Manufacturing, Engineering and Warehousing Manager

**10 JANUARY 2011**


















Manufactured By:  
GRACO INC.  
88 - 11<sup>th</sup> Avenue N.E.  
Minneapolis, MN 55413  
USA

Authorized Representative:  
GRACO N.V.  
Slakweidestraat 31  
3630 Maasmechelen  
BELGIUM

**199382**

**A**

## Технические данные

		AquaMax 2330E	AquaMax 2335E
	V/Ph/Hz	230/1/50	400/3/50
	A	16	10
	kW	3.3	4.2
<b>I</b>	A	15	7.6
		IP X5	IP X5
	bar/MPa	160/16	160/16
	bar/MPa	200/20	200/20
	l/h	560	700
	l/h	620	760
<b>Cleaning Impact</b>	kg/Force	3.0	3.6
		0350	0475
	°C	50	50
	bar / MPa	10/1	10/1
	mm	450 x 380 x 1040	450 x 380 x 1040
	kg	40.4	40.4
 <b>EN 60704-1</b>	dB(A)	74.6	75
 <b>L<sub>WA</sub></b>	dB(A)	87.9	90
<b>Vibration ISO 5349</b>	m/s <sup>2</sup>	< 2.5	< 2.5
<b>Recoil forces</b>	N	28	35
	l	0.225	0.225
		Agip Rotra 80W-90	

## Стандартная гарантия компании Graco

Компания Graco гарантирует, что во всем оборудовании, упомянутом в настоящем документе, произведенном компанией Graco и маркированном ее наименованием, на дату его продажи уполномоченным дистрибьютором Graco первоначальному покупателю отсутствуют дефекты материала и изготовления. За исключением случаев специального продления или ограничения предоставляемой компанией Graco гарантии, компания Graco обязуется в течение двенадцати месяцев с даты продажи отремонтировать или заменять любые детали оборудования, в которых компания Graco обнаружит дефекты. Настоящая гарантия действует только при условии, что оборудование установлено, используется и обслуживается в соответствии с письменными рекомендациями компании Graco.

Ответственность компании Graco и настоящая гарантия не распространяются на случаи общего износа оборудования, а также на любые неисправности, повреждения или износ, вызванные неправильной установкой или использованием, абразивным истиранием или коррозией, недостаточным или неправильным обслуживанием, халатностью, авариями, внесением изменений в конструкцию или применением деталей других изготовителей. Компания Graco также не несет ответственности за неисправности, повреждения или износ, вызванные несовместимостью оборудования от фирмы Graco с устройствами, принадлежностями, оборудованием или материалами, которые не были поставлены фирмой Graco, либо неправильным проектированием, изготовлением, установкой, эксплуатацией или обслуживанием устройств, принадлежностей, оборудования или материалов, которые не были поставлены фирмой Graco.

Настоящая гарантия имеет силу при условии предварительно оплаченного возврата оборудования, в котором предполагается наличие дефектов, уполномоченному дистрибьютору компании Graco для проверки наличия дефектов. Если наличие предполагаемого дефекта подтверждается, компания Graco обязуется бесплатно отремонтировать или заменить любые дефектные детали. Оборудование будет возвращено первоначальному покупателю с предварительной оплатой транспортировки. Если же проверка оборудования не выявит дефектов материалов или изготовления, ремонт будет произведен за разумную плату, которая может включать стоимость деталей, трудозатрат и транспортировки.

**НАСТОЯЩАЯ ГАРАНТИЯ ЯВЛЯЕТСЯ ИСКЛЮЧИТЕЛЬНОЙ И ЗАМЕНЯЕТ ВСЕ ПРОЧИЕ ГАРАНТИИ, ЯВНО ВЫРАЖЕННЫЕ ИЛИ ПОДРАЗУМЕВАЕМЫЕ, ВКЛЮЧАЯ, В ТОМ ЧИСЛЕ, ГАРАНТИЮ ТОВАРНОГО СОСТОЯНИЯ ИЛИ ГАРАНТИЮ ПРИГОДНОСТИ К ОПРЕДЕЛЕННОЙ ЦЕЛИ.**

Настоящий документ является единственным, где определяются обязательства компании Graco и право покупателя на возмещение ущерба при нарушении условий гарантии. Покупатель согласен с тем, что иных претензий (включая, но не ограничиваясь ими, побочные или косвенные убытки в связи с упущенной выгодой, упущенными сделками, травмами персонала или повреждениями собственности, а также любые иные побочные или косвенные убытки) предъявляться не будет. Все претензии, связанные с нарушением гарантии, должны предъявляться в течение 2 (двух) лет с даты продажи.

**КОМПАНИЯ GRACO НЕ ПРЕДОСТАВЛЯЕТ КАКИХ-ЛИБО ГАРАНТИЙ, ЯВНЫХ ИЛИ ПОДРАЗУМЕВАЕМЫХ, В ЧАСТИ ТОВАРНОЙ ПРИГОДНОСТИ ИЛИ СООТВЕТСТВИЯ КАКОЙ-ЛИБО ОПРЕДЕЛЕННОЙ ЦЕЛИ В ОТНОШЕНИИ ПРИНАДЛЕЖНОСТЕЙ, ОБОРУДОВАНИЯ, МАТЕРИАЛОВ ИЛИ КОМПОНЕНТОВ, ПРОДАВАЕМЫХ, НО НЕ ПРОИЗВОДИМЫХ КОМПАНИЕЙ GRACO.** На указанные изделия, проданные, но не изготовленные компанией (такие как электродвигатели, выключатели, шланги и т. д.), распространяются гарантии их изготовителя, если таковые имеются. Компания Graco будет, в разумных пределах, оказывать покупателю помощь в предъявлении любых претензий в связи с нарушением таких гарантий.

Ни при каких обстоятельствах компания Graco не несет ответственности за косвенные, побочные, специальные или случайные убытки, связанные с поставкой компанией Graco оборудования, к которому относится настоящий документ, а также с поставкой, работой или использованием любых продаваемых изделий или товаров, на которые распространяется настоящий документ, будь то в случаях нарушения контракта, нарушения условий гарантии, халатности со стороны компании Graco и в любых иных случаях.

**Graco reserves the right to make changes at any time without notice.**

**Перевод оригинального руководства по эксплуатации. This manual contains Russian. MM 3A1490**

**Graco Headquarters: Minneapolis**

**International Offices: Belgium, China, Japan, Korea**

**GRACO INC. P.O. BOX 1441 MINNEAPOLIS, MN 55440-1441**

**www.graco.com**



# Sisukord

<b>1</b>	<b>Olulised ohutusjuhised .....</b>	<b>308</b>
	<i>Juhiseid märkivad sümbolid.....</i>	<i>308</i>
	<i>Hoiatused.....</i>	<i>308</i>
<b>2</b>	<b>Kirjeldus.....</b>	<b>310</b>
	<i>Töösolevad osad .....</i>	<i>310</i>
	<i>Kasutusjuhend .....</i>	<i>311</i>
	<i>Märkis .....</i>	<i>311</i>
	<i>Cita informācija .....</i>	<i>311</i>
	<i>Pirms lietošanas .....</i>	<i>311</i>
<b>3</b>	<b>Enne pesuri käivitamist.....</b>	<b>312</b>
	<i>Survepesuri seadistamine .....</i>	<i>312</i>
	<i>Survestatud vooliku ühendamine.....</i>	<i>312</i>
	<i>BA klapp.....</i>	<i>313</i>
	<i>Paigaldamisjuhend .....</i>	<i>313</i>
	<i>Hooldustööd.....</i>	<i>313</i>
	<i>Veetoite ühendamine.....</i>	<i>314</i>
	<i>Elektriühendused .....</i>	<i>314</i>
	<i>Pikendusjuhe .....</i>	<i>314</i>
<b>4</b>	<b>Juhtimine/käitamine.....</b>	<b>315</b>
	<i>Pihustivarda ühendamine pihustipüstoliga .....</i>	<i>315</i>
	<i>Veesüsteemiga ühendatud pesuri sisselülitamine.....</i>	<i>315</i>
	<i>Lahtise mahutiga ühendatud (imemisrežiimis) pesuri sisselülitamine .....</i>	<i>315</i>
	<i>Surve reguleerimine (Powerspeed Vario Plus) .....</i>	<i>316</i>
	<i>Surve reguleerimine FlexoPower Plus otsikuga .....</i>	<i>316</i>
	<i>Puhastusvahendite kasutamine .....</i>	<i>316</i>
<b>5</b>	<b>Rakendusala ja -meetodid.....</b>	<b>317</b>
	<i>Pesemistehnikad .....</i>	<i>317</i>
	<i>Leotamine .....</i>	<i>317</i>
	<i>Pesuvaine ja vaht .....</i>	<i>317</i>
	<i>Temperatuur.....</i>	<i>317</i>
	<i>Mehaaniline puhastamine.....</i>	<i>317</i>
	<i>Kõrge veejuga või kõrgsurve .....</i>	<i>317</i>
<b>6</b>	<b>Pärast pesuri kasutamist.....</b>	<b>318</b>
	<i>Pesuri väljalülitamine .....</i>	<i>318</i>
	<i>Voolujuhtme kokkukerimine ja lisaseadmete hoiustamine.....</i>	<i>318</i>
	<i>Hoidmine.....</i>	<i>318</i>
	<i>Survepesuri hoiulepanek (alla 0°C) .....</i>	<i>318</i>
<b>7</b>	<b>Tõrkeotsing.....</b>	<b>319</b>
<b>8</b>	<b>Lisateave .....</b>	<b>320</b>
	<i>Transportimine .....</i>	<i>320</i>
	<i>Remonts un tehnikā apkope .....</i>	<i>320</i>
	<i>Ierīce.....</i>	<i>320</i>
	<i>Garantii .....</i>	<i>320</i>
	<i>EL vastavuskinnitus .....</i>	<i>321</i>
	<i>Tehnilised andmed.....</i>	<i>322</i>
	<i>Graco Standardgarantii.....</i>	<i>323</i>

# 1 Olulised ohutusjuhised

## Juhiseid märkivad sümbolid

### OHT

Oht, mis võib lõppeda raskete ja pöördumatute vigastuste või surmaga.

### HOIATUS

Oht, mis võib lõppeda raskete vigastuste või surmaga.

### ETTEVAATUST

Oht, mis võib lõppeda kergete vigastuste või materiaalse kahjuga.

## Hoiatused

### HOIATUS

- Mitte kasutada meetodeid, millega kaasnevad ohuriskid.
- Keelatud on muuta mehhaanilisi, elektri- ja soojuskaitsemeid.
- Seda masinat ei tohi kasutada lapsed ega füüsilise, meelte või tajumisega seotud või vaimse puudega isikud või kogemusteta ja vastavate teadmisteta isikud, kui nad ei tegutse järelevalve või juhendamise all.
- Seda seadet tohib kasutada ainult GRACO tarnitud või soovitatud puhastuskemikaalidega. Muude kemikaalide kasutamine võib mõjuda ebasoodsalt seadme turvalisusele.
- Plahvatuse oht – ärge kasutage pesurit tuleohtlike vedelikega pihustamiseks.



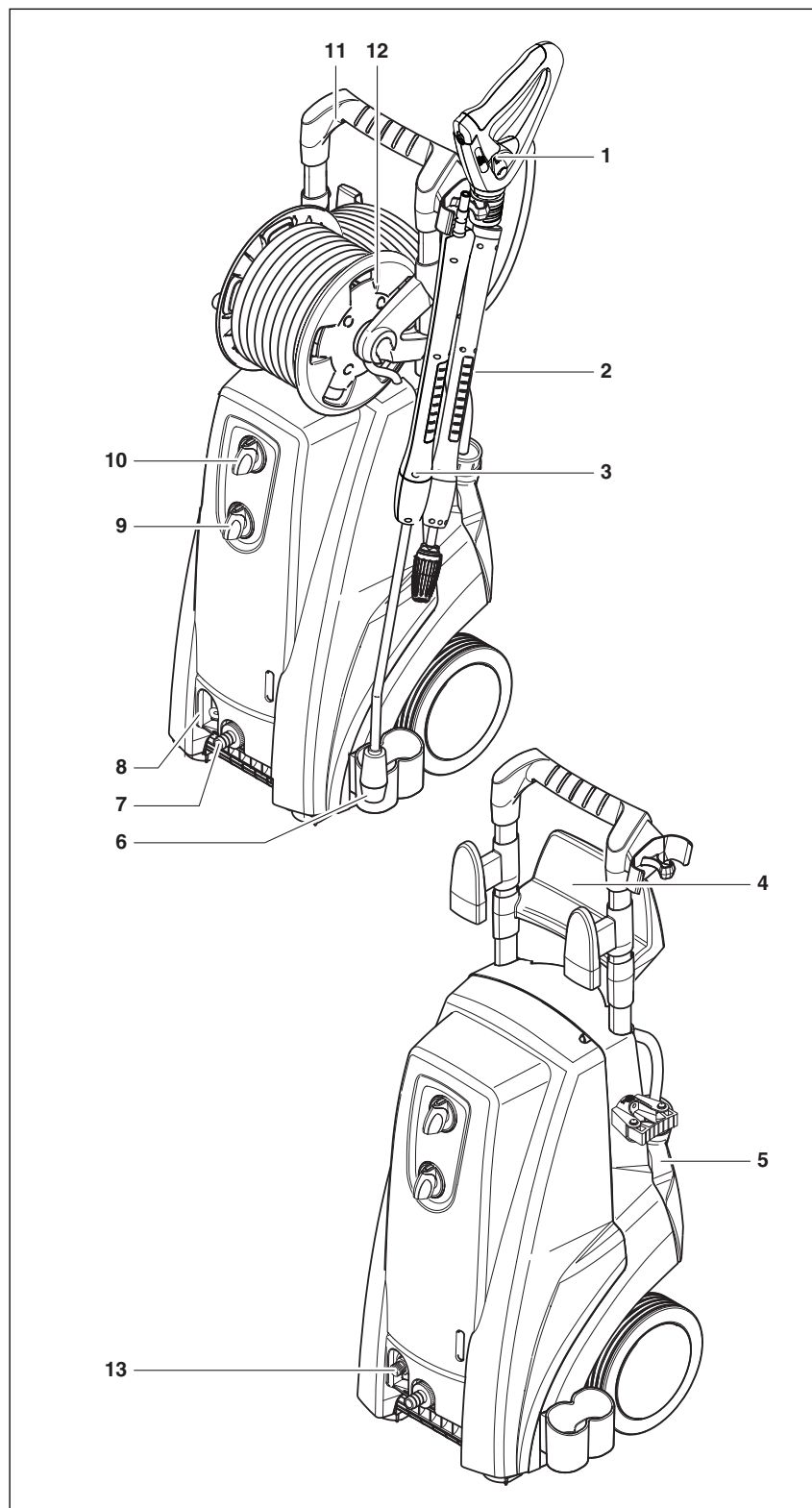
## ETTEVAATUST

- Augstspiediena ūdens strūkļa var būt bīstama. Ūdens strūkļu nedrīkst novirzīt uz cilvēkiem, mājdzīvniekiem, elektroierīcēm un uz pašu augstspiediena mazgāšanas ierīci.
- Nekad nemēģiniet tīrīt apģērbus vai apavus sev un citām personām mugurā vai kājās.
- Lerīces darbības laikā operatoram un jebkurai citai personai, kas atrodas tīrīšanas zonas tiešā tuvumā, jāveic pasākumi, lai pasargātos no gružiem, kas atdalās augstspiediena ūdens strūkļas ietekmē. Strādājot ar ierīci, jālieto aizsargbrilles.
- Neapsedziet ierīci darbības laikā.
- Nedrīkst lietot augstspiediena mazgātāju tādā vidē, kur pastāv vai var izcelties sprādziena briesmas. Mazāko šaubu gadījumā lūdzu vērsieties pie vietējā pilnvarotā pārstāvja.
- Ar augstspiediena strūkļu nedrīkst tīrīt azbestu saturošas virsmas.
- Šo augstspiediena mazgāšanas iekārtu nedrīkst lietot temperatūrā zemākā par 0°C.
- Lietojiet tikai pareizu degvielu, kā norādīts. Nepareizas degvielas lietošana var izraisīt nopietnas riska situācijas.
- Pesuri kāitamise ajal tekib pūssiventīlis ja pihustusvardas tagasilõgijõud, kui pihustivarrast hoitakse nurga all, tekib ka pöördemoment. Seetõttu tuleb pūssiventīli ja pihustivarrast hoida tugevalt mõlema käega.
- Kontrollige, et puhastamise tulemusena ei tekiks ohtlikke aineid (nt asbesti või õli), mis võidakse puhastatavalt objektilt maha pesta ning tekitada keskkonnakahjustuse.
- Ärge puhastage kummist, kangast jne õrnasid osasid 0° joaga. Jätke kõrgsurvepihusti otsiku ja pinna vahele vahe, et vältida pinna kahjustamist.
- Ärge kunagi kasutage pesurit ilma veeta. Isegi lühiaegsed veeta kasutamised kahjustavad raskelt pumba tihendeid.
- Ärge kasutage ohtlikke töövõtteid.
- Ärge siduge päästikut avatud asendisse.

## 2 Kirjeldus

### Töösolevad osad

- |                             |                                  |
|-----------------------------|----------------------------------|
| 1. Pesupüstol               | laskefilter                      |
| 2. Elektriline toitejuhe    | 8. Voolikupooli veeühendus       |
| 3. Pihustustoru             | 9. Pealüliti                     |
| 4. Toitejuhtme hoidik       | 10. Puhastusvahendi dosaator     |
| 5. Puhastusvahendi paak     | 11. Käepide                      |
| 6. Pihustustoru pesa        | 12. Voolikutrummel <sup>1)</sup> |
| 7. Veeühendus ja vee sisse- | 13. Kõrgsurvevooliku liides      |



**Kasutusjuhend**

Lugege see dokument enne seadme kasutuselevõttu hoolikalt läbi ja hoidke see edaspidiseks kasutamiseks alati käepärast.

Seadme kasutamisel tuleb järgida kehtivaid siseriiklikke eeskirju. Oluline on järgida mitte ainult kasutusjuhendit ja kasutusriigis tööõnnetuste vältimiseks kehtestatud kohustavaid eeskirju, vaid ka üldtunnustatud reegleid tööprotseduuride ohutuse ja õigsuse tagamiseks.

**Märkis**

Šis augstspiediena tīrītājs ir izstrādāts profesionālai lietošanai. To var izmantot, lai mazgātu lauksaimniecības un celtniecības aprīkojumu, staļļus, transporta līdzekļus, aprūsējušas virsmas utt.

Tīrītājs nav paredzēts tādu virsmu tīrīšanai, kurām ir saskare ar pārtiku.

Jebkura cita veida pielietošana nav pieļaujama. Ražotājs neuzņemas nekādu atbildību par bojājumiem, kas rodas neatbilstošas lietošanas dēļ. Pareiza lietošana ietver sevī arī ražotāja rekomendēto ekspluatācijas, tehniskās apkopes un servisa nosacījumu stingru ievērošanu.

**Cita informācija**

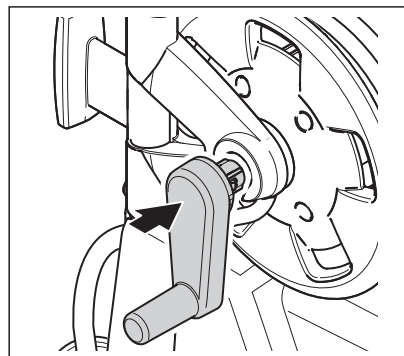
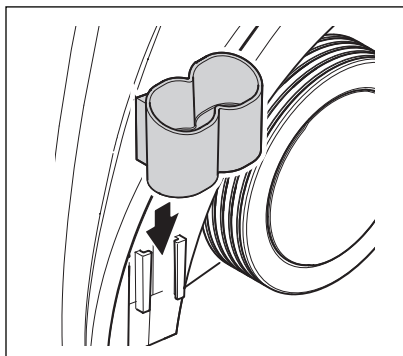
Ja jums rodas citi jautājumi, lūdzu, griezieties jūsu valstī atbildīgajā Nilfisk servisa nodaļā.

**Pirms lietošanas**

Pirms ierīces lietošanas uzsākšanas rūpīgi pārbaudiet, vai tai nav defektu. Ja jūs esat atklājuši kādu defektu, neuzsāciet ierīces lietošanu, bet vērsieties pie GRACO izplatītāja.

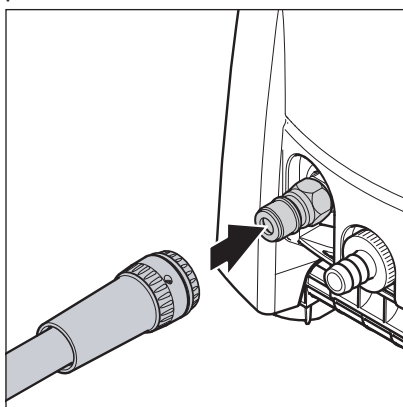
### 3 Enne pesuri käivitamist

#### Survepesuri seadistamine

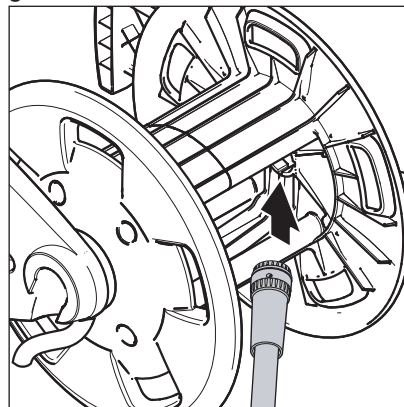


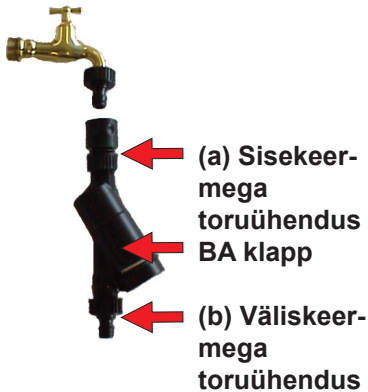
#### Survestatud vooliku ühendamine

Ilma survestatud vooliku kerimispoolita.



Survestatud vooliku kerimispooliga seadmed.



**BA klapp**

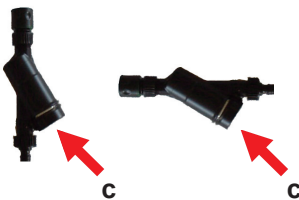
Augstspiediena tīrītāju drīkst pievienot dzeramā ūdens tīklam tikai, ja ir uzstādīts pretplūsmas vārsts, BA tips atbilstoši EN 1717.

BA klape saab tellida vastavalt numbrile:

- BA klapp koos GARDENA toruühendustega: 106411177
- BA klapp koos NITO toruühendustega: 106411178
- BA klapp koos GEKA toruühendustega: 106411179
- BA klapp ilma toruühendusteta: 106411184

Toruühendusi saab tellida vastavalt numbrile:

- 3/4" GARDENA (a): 32541
- 3/4" GARDENA (b): 1608629
- 3/4" NITO (a): 1602945
- 3/4" NITO (b): 1600659
- 1/2" NITO (b): 1604669
- 3/4" GEKA (a): 1718
- 3/4" GEKA (b): 1311

**Paigaldamisjuhend**

1. Kinnitage väliskeermega toruühendus veetorule.
2. Ühendage BA klapp (a) veetoruga.
3. Kinnitage sisekeermega toruühendus vee sissevõtuvoolikule.
4. Ühendage BA klapp (b) vee sissevõtuvoolikuga.
5. Ühendage vee sissevõtuvoolik kõrgsurvepesuriga.
6. Keerake vesi lahti ning käivitage masin.

**ETTEVAATUST**

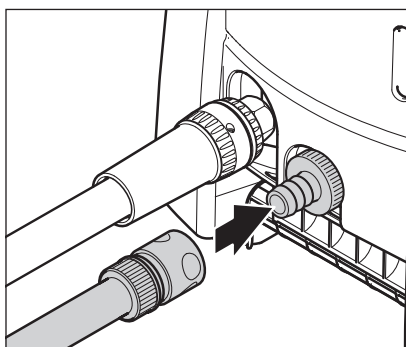
- Tagasivoolutõkesti saab paigutada kas vertikaalselt või horisontaalselt ning äravooluava (c) peab olema paigaldatud suunaga allapoole.
- Vee vool läbi väljavooluava (c) peab olema vaba.
- Kui sisenevas vees võib olla liiva (näiteks oma kaevust), siis tuleb veetoru ja tagasivoolutõkesti vahele paigaldada lisafilter.
- Šjütenes garumam starp pretplūsmas vārstu un augstspiediena mazgātāju jābūt vismaz 12 metriem (min. diametrs – 3/4 collas), lai izlīdzinātu iespējamo maksimālo spiedienu.
- Tiklīdz ūdens ir izkļuvis caur pretplūsmas vārstu, tas vairs nav uzskatāms par dzeramo ūdeni.
- Kaitske tagasivoolutõkestiit külmumise eest.
- Hoidke tagasivoolutõkestiit puhtana ja mustusest vabana.

**Hooldustööd**

Vähemalt üks kord aastas kontrollige funktsioone alljärgnevalt:

1. Pärast töötamist lülitage kõrgsurvepesur välja.
2. Sulgege veetoru klapp.
3. Vabastage pihustuspüstoli päästikuga vee toititoru surve.
4. Eemaldage tagasivoolutõkesti. Et tagada joogivee eraldamine, peab vesi peab väljavooluavast (c) välja voolama (maks. 100ml).
5. Kui seda ei juhtu, siis püüdke puhastada BA klapp või kontaktteruge oma GRACO esindajaga.

## Veetoite ühendamine



1. Loputage veetoite voolikut, et vältida liiva ja teiste osakeste sattumist masinasse.
2. Ühendage veetoitevoolik masinaga.
3. Avage veekraan.

### ETTEVAATUST

- Halva veekvaliteedi (liiv, jne) korral soovitame me lisada vee siselasketele peene veefiltri.
- Soovitame kasutada tekstiiliga tugevdatud voolikut, mille läbimõõt on minimaalselt 3/4" (19 mm).

## Elektriühendused



Enne pinge ümberlülitusega seadmete paigaldamist<sup>1)</sup>: Kontrollige, et masinal valitud pinge vastaks vooluvõrgus oleva pingega. Vastasel juhul võivad masinal olevad elektriseadmed hävida.

### ETTEVAATUST

- Pievienojiet iekärtu tikai pie elektroinstalācijas ar iezemējumu.
- Elektroinstalācija jāierīko sertifi cētām elektrīķim.
- Saskaņā ar IEC- 60364-1 ir stingri ieteicams, ka šīs iekārtas strāvas avotā jābūt iekļautai paliekošās strāvas ierīcei (GFCI).
- Ārge kahjustage elektrikaablit (nt sellest üle sõites, seda tirides või kokku surudes).
- Eemaldage elektrikaabel vooluvõrgust ainult pistikust hoides (ārge tōmmake pukiirist ega elektrikaablist).

## Pikendusjuhe

Kasutage pikendusjuhtmena ainult tootja poolt lubatud või veelgi kvaliteetsemat juhet.

Veenduge selles, et juhe vastaks minimaalsele ristlōikele:

Kaabli pikkus	Ristlōige	
	< 16 A	< 25 A
kuni 20 m	1.5 mm <sup>2</sup>	2.5 mm <sup>2</sup>
20 kuni 50 m	2.5 mm <sup>2</sup>	4.0 mm <sup>2</sup>

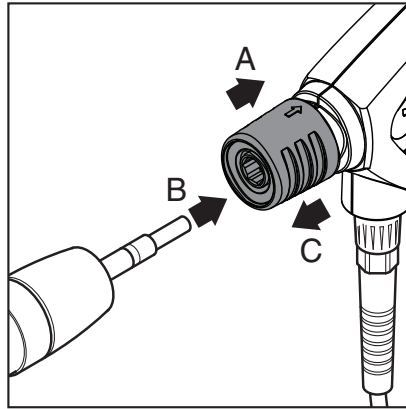
### ETTEVAATUST

- Kaablrullide kasutamisel. Ūlekuumenemise ja tulekahjuohu tōttu kerige elektrikaabel alati tōielikult lahti.
- Elektriskā vada savienojumiem vienmēr jābūt sausiem un tie nedrīkst saskarties ar zemi.



## 4 Juhtimine/käitamine

### Pihustivarda ühendamine pihustipüstoliga

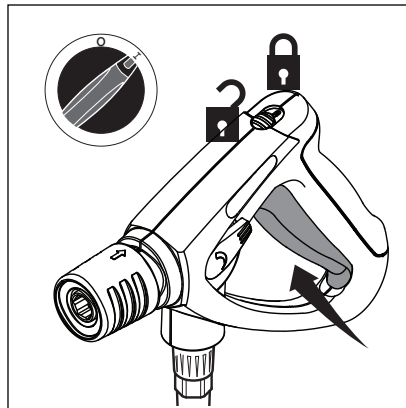


1. Tõmmake pihustuspüstoli sinine kiirvabastuspide (A) taha.
2. Kinnitage pihustusotsiku (B) nippel kiirvabastavasse ühendusse ning vabastage see.
3. Tõmmake pritsimisvarras (või muu tarvik) ettepoole, et kontrollida, kas see on pihustuspüsi küljes kinni.

#### ETTEVAATUST

Eemaldage alati nipliilt mustus enne pritsimisvarda ühendamist pihustuspüstoliga.

### Veesüsteemiga ühendatud pesuri sisselülitamine

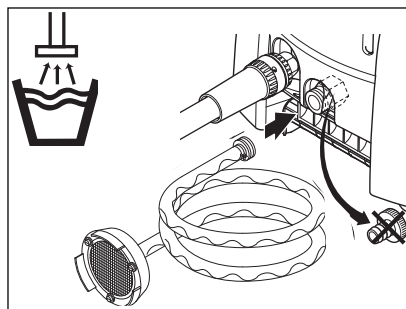


1. Pealülit. Keerake pealülitit asendisse "I".
2. Vabastage otsik lukustusest ja kasutage seda.
3. Lukustage pihustusotsik isegi väikeste pauside ajaks.

#### ETTEVAATUST

Süsteemi ventileerimiseks pihustage vett läbi otsiku lühikeste ajavahemike tagant.

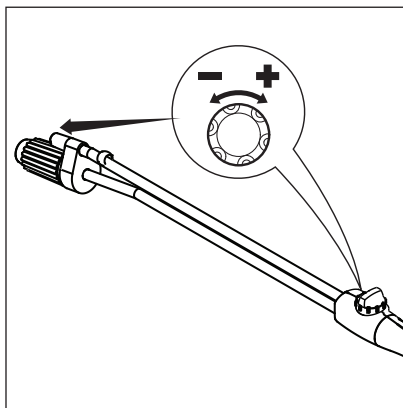
### Lahtise mahutiga ühendatud (imemisrežiimis) pesuri sisselülitamine



1. Enne imurvooliku pesuriga ühendamist täitke voolik veega.
2. Pealülit. Keerake pealülitit asendisse "I".
3. Vabastage otsik lukustusest ja kasutage seda.

Maks. imemiskõrgus (eeltäidetud) = 1 m

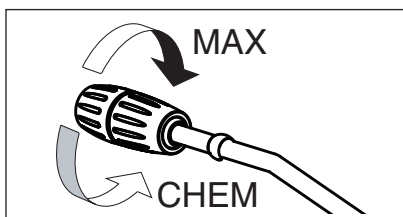
### Surve reguleerimine (Powerspeed Vario Plus)



Keerake pihustusosa keeratavat pidet:

- Kõrge surve = päripäeva (+)
- Madal surve = vastupäeva (-)

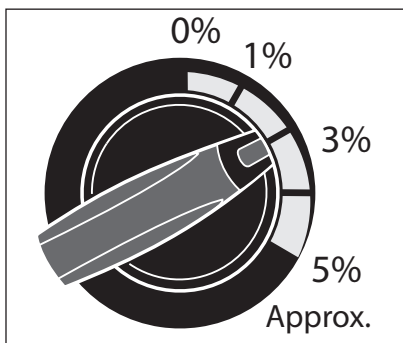
### Surve reguleerimine FlexoPower Plus otsikuga



Keerake FlexoPower Plus otsiku korki:

- Kõrge surve = MAX.
- Madal surve = MIN.(CHEM)

### Puhastusvahendite kasutamine



seadmesse tõmmata läbi standardset paigaldatud jugapumba ainult madala survega režiimis:

1. Lahustage puhastusaine vastavalt tootja juhistele.
2. Madalsurve reguleerimine.
3. Sissevõetava puhastusvahendi mahtu on võimalik reguleerida mõõdiknupust.
4. Pealüliti. Keerake pealüliti asendisse "1".
5. Kasutage pihustusotsikut.

Puhastusainet on võimalik

#### ETTEVAATUST

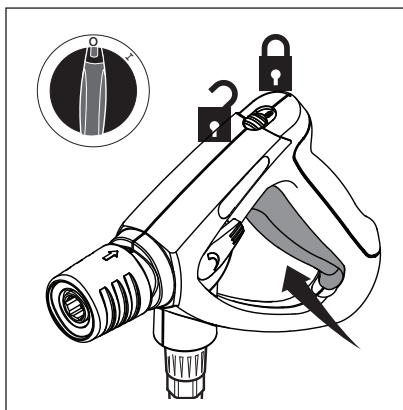
Ärge laske kunagi puhastusvahendil puhastataval pinnal ära kuivada. See võib pinda kahjustada.

# 5 Rakendusala ja -meetodid

<b>Pesemistehnikad</b>	Kõige tõhusama puhastamise saavutate, järgides mõnda siintoodud nõuannet, kombineerides neid erinevate puhastusülesannete läbi kogutud isiklike kogemustega. Korrektselt valitud lisaseadmed ja pesuained võivad survepesuri efektiivsust suurendada. Siin on toodud baasinfot puhastamise kohta.
<b>Leotamine</b>	Paakunud või pakse mustusekihte on lihtsam eemaldada, kui pinda teatud perioodi vältel leotatakse. See on ideaalne meetod põllumajanduses kasutamiseks - näiteks sigalate puhastamiseks. Kõige paremat leotust on võimalik saavutada vahtu või lihtsat leeliselist pesuainet kasutades. Laske ainel enne survepesemist määrduvad pinnal kuni 30 minuti vältel seista. Selliselt toimub survepuhastamine tunduvalt kiiremini.
<b>Pesuaine ja vaht</b>	Vaht või pesuaine tuleks kuivale pinnale kanda selliselt, et kemikaal oleks mustusega otsekontaktis. Pesuaineid kantakse suunaga alt-üles, nt auto puhastamisel, et vältida "superpuhtaid" alasid, kus pesuaine koguneb suuremas kontsentratsioonis ja niriseb allapoole. Laske pesuainel enne loputamist mitme minuti vältel toimida, kuid ärge laske sel puhastatavale pinnale ära kuivada.
<b>Temperatuur</b>	Pesuained on tunduvalt efektiivsemad kõrgematel temperatuuridel. Määrdeaineid, õlisid ja rasvu on samuti lihtsam eemaldada kõrgematel temperatuuridel. Proteiine on võimalik eemaldada ligikaudu 60°C juures. Õlisid, transpordikilet ligikaudu temperatuuril 70°C ning määrdeid temperatuuridel 80°C - 90°C.
<b>Mehaaniline puhastamine</b>	Tugevate mustusekihtide eemaldamiseks võib olla vajalik mehaaniline puhastamine. Spetsiaalsed puhastuspiigid või pesuharjad avaldavad mustusele vajalikku mehaanilist toimet.
<b>Kõrge veejuga või kõrgsurve</b>	Kõrge veeurve ei ole alati parim lahendus, sest võib puhastatavaid pindu kahjustada. Puhastusvõime sõltub ka veevoost. Sõiduki puhastamisel peaks olema piisavaks veeurveks ligikaudu 100 bar (kasutades kuuma vett). Kõrgemad vootasemed võimaldavad suuri mustusekoguseid lihtsamalt maha loputada.

## 6 Pärast pesuri kasutamist

### Pesuri väljalülitamine



1. Viige pealüliti vastavasse positsiooni „OFF”.
2. Sulgege veekraan.
3. Suruge pihustuspüstoli käepidet, kuni pesurist on rõhk väljas.
4. Lukustage pihustuspüstoli ohutusfiksaator.

### Voolujuhtme kokkukerimine ja lisaseadmete hoiustamine

1. Kerige juhe kokku
2. Kerige kõrgsurvevoolik kokku.
3. Asetage pihustiotsik vastavasse hoiustamiskohta.

#### ETTEVAATUST

Väljalülitumise oht! Õnnetuste vältimiseks kerige elektrijuhe ja kaabel alati kokku ettevaatlikult.

### Hoidmine

Hoidke seadet kuivas kohas ja külma eest kaitstult.

### Survepesuri hoiulepanek (alla 0°C)

Kui kõrgsurvepesurit hoiustatakse ruumis, mille temperatuur on alla 0°C, tuleks enne hoiustamist lisada pumpa antifriisi.

1. Vabastage veevoolik pesuri küljest.
2. Eemaldage pihustustoru.
3. Lülitage pesur sisse, keerates pealüliti asendisse „1” ja aktiveerige pihustusotsiku käepide.
4. Ühendage lühike imivoolik pesuri vee sissevõtutoruga ning paigutage teine otse antifriisiga mahutisse.
5. Lülitage pesur sisse, keerates pealüliti asendisse „1”.
6. Hoidke pihustusotsikut antifriisi sisaldava mahuti kohal ja lülitage see sissevõtu käivitamiseks sisse.
7. Sissevõtu käigus lülitage pihustusotsikut kaks kuni kolm korda sisse-välja.
8. Tõstke imitoru antifriisi sisaldavast mahutist välja ja lülitage pihustusotsik sisse, et pumbata välja ülejäänud antifriis.
9. Survepesuri väljalülitamine.

#### ETTEVAATUST

- Mis tahes ohtude vältimiseks hoiustage pesurit enne taaskasutamist mõne aja vältel köetavas ruumis.
- Nekad neiedarbiniet sasalušu ierīci.

# 7 Tõrkeotsing

Tõrge	Põhjus	Lahendus
Rõhu langus	<ul style="list-style-type: none"> <li>• Õhk süsteemis</li> <li>• Kõrgsurve otsik blokeerunud/kulunud</li> <li>• Pesuaine paak tühi</li> </ul>	<ul style="list-style-type: none"> <li>• Ventileerige süsteemi, pihustades vett läbi otsiku lühikeste ajavahemike tagant. Vajadusel lülitage pesur lühikeseks ajaks sisse ilma kõrgsurvetatud vooliku ühendamiseta.</li> <li>• Puhastage/asendage kõrgsurve otsik</li> <li>• Lisage pesuainet või seadke pesuaine tasemeks "0"</li> </ul>
Rõhu kõikumine	<ul style="list-style-type: none"> <li>• Pump tõmbab õhku sisse (võimalik ainult imemisrežiimis)</li> <li>• Veepuudus</li> <li>• Vee sissevõtuvoolik liiga pikk või ristlõige liiga väike</li> <li>• Veepuudus blokeerunud veefiltri tõttu</li> <li>• Veepuudus, sest ei järgita maks. lubatud imemiskõrgust</li> </ul>	<ul style="list-style-type: none"> <li>• Kontrollige, et imemine oleks õhukindel.</li> <li>• Keerake veekraan lahti.</li> <li>• Kasutage määratletud veevoolikut</li> <li>• Puhastage veefilter (ärge töötage kunagi ilma veefiltrit)</li> <li>• Vaadake juhiseid</li> </ul>
Mootor ei käivitu pesuri sisselülitamisel	<ul style="list-style-type: none"> <li>• Pistik pole korrektselt paigaldatud, st elektritoide puudub</li> </ul>	<ul style="list-style-type: none"> <li>• Kontrollige pistikut, juhet ja lüliti ning vajadusel laske need vastava väljaõppega elektrikul välja vahetada</li> </ul>
Mootor ainult suriseb ega käivitu pesuri sisselülitamisel	<ul style="list-style-type: none"> <li>• Peakaitse on väljalülitunud</li> <li>• Toitepinge on liiga madal või faasihäire</li> <li>• Pump on blokeerunud või külmunud</li> <li>• Ebakorrektnen pikendusjuhtme ristlõike suurus või pikkus</li> </ul>	<ul style="list-style-type: none"> <li>• Lülitage peakaitse sisse</li> <li>• Laske elektriühendust kontrollida</li> <li>• Võtke ühendust GRACO klienditeenindusega</li> <li>• Kasutage korrektse ristlõike suuruse või pikkusega juhet</li> </ul>
The motor switches off	<ul style="list-style-type: none"> <li>• Ülekoormuse kaitse aktiveerus mootori ülekuumenemise või liigse koormuse tõttu</li> <li>• Kõrgsurve otsik määrdunud</li> </ul>	<ul style="list-style-type: none"> <li>• Kontrollige, et toitepinge ja pesuri nimipinge oleksid võrdsed Lülitage pesur välja laske sel vähemalt 3 minuti vältel jahtuda</li> <li>• Vahetage kõrgsurve otsik välja</li> </ul>
Pesuainet ei võeta sisse	<ul style="list-style-type: none"> <li>• Pihusti on määrdunud või imivoolik blokeerunud</li> <li>• Pesuaine paak tühi</li> <li>• FlexoPowerJet otsiku kork ei ole seatud madalale survele</li> </ul>	<ul style="list-style-type: none"> <li>• Puhastage</li> <li>• Lisage pesuainet</li> <li>• Vt jaotis 4.</li> </ul>

## 8 Lisateave

### Transportimine

Ohutuks sõidukite sees või peal transportimiseks soovime pesur rihmadega hoolikalt kinnitada, et vältida selle libisemist ning küljele kallumist.

Transportimine (kaldus):

- ärge kallutage masinat ette, veeühenduste poole;
- eemaldage pesuaine paagilt imivoolik ning sulgege paagi täitekork masinaga kaasasoleva korgiga;
- enne pesuri kasutusele võtmist: laske pumbaõlil pumpa tagasi joosta, kontrollige õli taset, lisage vajadusel.

0°C madalamatel temperatuuridel transportimise korral tuleb enne transportimist pumpa antifriisi lisada (vt 5. peatükk).

### Remonts un tehnikā apkope

Pirms iekārtas tehnikās apkopes darbu veikšanas vienmēr izņemiet kontaktdakšu no rozetes.

### Ierīce

Nolietoto ierīci pirms utilizācijas adarīt nelietojamu:

1. Izvilkt no tīkla kontaktdakšu;
2. Pārdalīt pievades kabeli.
3. Neizmest elektroierīces sadzīves atkritumos.



Saskaņā ar Eiropas Padomes Direktīvu 2002/96/EK par Elektro un elektroniskajām nolietotajām ierīcēm tās ir savācamas atsevišķi no citiem atkritumiem un nogādājamas videi atbilstoši reciklēšanai.

### Garantii

Garantiina kehtivad meie tavapārasē āritingimused. Garantii kuulub muutmisele tehnilise arendamise tulemusēna.

Garantii kaotab kehtivuse, kui masinat ei kasutata kāesoleva juhendi jārgi vōi seda kuritarvitatakse muul viisil. Garantii kaotab kehtivuse, kui masinat ei hooldata ettenāhtud alustel.

## EL vastavuskinnitus



**GRACO**  
ISO 9001 Registered

## EC-DECLARATION OF CONFORMITY

EG-VERKLARING VAN OVEREENSTEMMING, DÉCLARATION DE CONFORMITÉ CE, EG-KONFORMITÄTSEKTLÄRUNG, DICHIARAZIONE DI CONFORMITÀ CE, EF-OVERENSSTEMMELSESEKTLÆRING, ΕΚ-ΔΗΛΩΣΗ ΣΥΜΜΟΡΦΩΣΗΣ, DECLARAÇÃO DE CONFORMIDADE - CE, DECLARACIÓN DE CONFORMIDAD DE LA CE, EY-VAATIMUSTENMUKAISUUSVAKUUTUS, EG-DEKLARATION OM ÖVERENSSTÄMMELSE, ES PROHLÁŠENÍ O SHODĚ, EÜ VASTAVUSDEKLARATSIOON, EC MEGFEJELŐSÉGI NYILATKOZAT, EK ATBILSTĪBAS DEKLARĀCIJA, ES ATITIKTIES DEKLARACIJA, DEKLARACJA ZGODNOŚCI UE, DIKJARAZZJONI-KE TA' KONFORMITA', IZJAVA ES O SKLADNOSTI, ES - VYHLÁŠENIE O ZHODE, EO-ДЕКЛАРАЦИЯ ЗА СЪВМЕСТИМОСТ, DEIMHNIÚ COMHRÉIREACHTA CE, CE-DECLARAȚIE DE CONFORMITATE

### Model

AquaMax 2330E, 2335E

Modèle, Modell, Modello, Μοντέλο,  
Modelo, Malli, Mudel, Modelis, Mudell, Модел, Samhail

### Part

287428, 287429

Bestelnr., Type, Teil, Codice, Del, Μέρος, Peça,  
Referencia, Osa, Součást, Részegység, Daja, Dalis,  
Część, Taqsim, Čast, Част, Part, Parte

### Complies With The EC Directives:

Voldoet aan de EG-richtlijnen, Conforme aux directives CE, Entspricht den EG-Richtlinien, Conforme alle direttive CE, Overholder EF-direktiverne, Σύμφωνα με τις Οδηγίες της ΕΚ, Em conformidade com as Directivas CE, Cumple las directivas de la CE, Täyttää EY-direktiivien vaatimukset, Uppfyller EG-direktiven, Shoda se směrnicemi ES, Vastab EÜ direktiividele, Kielegítii az EK irányelvek követelményeit, Atbilst EK direktivām, Atitinka šias ES direktyvas, Zgodność z Dyrektywami UE, Konformi mad-Direttivi tal-KE, V skladu z direktivami ES, Je v súlade so smernicami ES, Съвместимост с Директиви на ЕО, Tá ag teacht le Treoracha an CE, Respectă directivele CE

2006/42/EC Machine Directive

2006/95/EC Low Voltage Directive

2004/108/EC EMC Directive

### Standards Used:

Gebruikte maatstaven, Normes respectées, Verwendete Normen, Norme applicate, Anvendte standarder, Πρότυπα που χρησιμοποιήθηκαν, Normas utilizadas, Normas aplicadas, Sovellettavat standardit, Tillämpade standarder, Použité normy, Rakendatud standardid, Alkalmazott szabványok, Izmantotie standarti, Taikyti standartai, Užyte normy, Standards Uzati, Uporabljeni standardi, Použité normy, Използвани стандарти, Caidheáin arna n-úsáid, Standarde utilizate

EN 12100, EN 60335-2-79, EN 55014-1, EN 55014-2, EN 61000-3-2, DIN EN 60335-2-79

### Notified Body for Directive

Aangemelde instantie voor richtlijn, Organisme notifié pour la directive, Benannte Stelle für diese Richtlinie, Ente certificatore della direttiva, Bemyndiget organ for direktiv, Διακοινωμένο όργανο Οδηγίας, Organismo notificado relativamente à directiva, Organismo notificado de la directiva, Direktiivien mukaisesti ilmoitettu tarkastuslaitos, Anmält organ för direktivet, Úředně oznámený orgán pro směrnici, Teavitatud asutus (direktiivi järgi), Az irányelvvvel kapcsolatban értesített testület, Pilnvarotā iestāde saskaņā ar direktīvu, Apie direktīvu Informuota institūcija, Ciało powiadomione dla Dyrektywy, Korp avzat bid-Direttiva, Priglašeni organ za direktivo, Notifikovaný orgán pre smernicu, Нотифициран орган за Директива, Comhlacht ar tugadh fógra dó, Organism notificat în conformitate cu directiva

--	--	--	--

### Approved By:

Goedgekeurd door, Approuvé par, Genehmigt von, Approvato da, Godkendt af, Έγκριση από, Aprovado por, Aprobado por, Hyväksynyt, Intygas av, Schwäilit, Kinnitanud, Jóváhagyta, Apstiprināts, Patvirtino, Zatwierdzone przez, Approvat minn, Odobril, Schválené, Одобрено от, Фаола аг, Aprobat de

**Hans van Cranenbroek**

**Manufacturing, Engineering and Warehousing Manager**

10 JANUARY 2011

#### Manufactured By:

**GRACO INC.**  
88 - 11<sup>th</sup> Avenue N.E.  
Minneapolis, MN 55413  
USA
















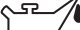

#### Authorized Representative:

**GRACO N.V.**  
Slakweidestraat 31  
3630 Maasmechelen  
BELGIUM

**199382**

**A**

## Tehnilised andmed

		AquaMax 2330E	AquaMax 2335E
	V/Ph/Hz	230/1/50	400/3/50
	A	16	10
	kW	3.3	4.2
<b>I</b>	A	15	7.6
		IP X5	IP X5
	bar/MPa	160/16	160/16
	bar/MPa	200/20	200/20
	l/h	560	700
	l/h	620	760
<b>Cleaning Impact</b>	kg/Force	3.0	3.6
		0350	0475
	°C	50	50
	bar / MPa	10/1	10/1
	mm	450 x 380 x 1040	450 x 380 x 1040
	kg	40.4	40.4
 <b>EN 60704-1</b>	dB(A)	74.6	75
 <b>L<sub>WA</sub></b>	dB(A)	87.9	90
<b>Vibration ISO 5349</b>	m/s <sup>2</sup>	< 2.5	< 2.5
<b>Recoil forces</b>	N	28	35
	l	0.225	0.225
 <b>TYPE</b>		Agip Rotra 80W-90	



## Graco Standardgarantii

Graco garanteerib, et kogu selles dokumendis kirjeldatud seadmestik, mille on tootnud Graco ja mis kannab tema nime, on Graco volitatud edasimüüjalt algele ostjale kasutamiseks müümise päeval vaba materjali- ja tootmisvigadest. Jättes kõrvale Graco antud mis tahes eri-, pikendatud või piiratud garantii, parandab või asendab Graco kaheteistkümne kuu jooksul alates müügipäevast seadmestiku mis tahes osa, mille Graco tunnistab vigaseks. See garantii kehtib ainult siis, kui seadmestiku paigaldamine, kasutamine ja hooldamine on toimunud vastavalt Graco kirjalikule dokumentatsioonile.

Käesolev garantii ei hõlma ja Graco ei vastuta üldise kulumise ja purunemise või mis tahes talitlushäire, kahjustuse või kulumise eest, mille on põhjustanud vale paigaldus, väärkasutus, abrasiioon, korrosioon, ebapiisav või ebakohane hooldus, hooletus, õnnetus, oskamatu käsitsemine või asendamine mitte Graco toodetud koostisosadega. Samuti ei vastuta Graco talitlushäire, kahjustuse või kulumise eest, mille on põhjustanud Graco seadmete kokkusobimatus struktuuride, tarvikute, seadmete või materjalidega, mida ei ole tarninud Graco, või mille on põhjustanud struktuuride, tarvikute, seadmete või materjalide, mida Graco ei ole tarninud, mittenouetekohane konstruktsioon, tootmine, paigaldus, käitamine või hooldus.

Käesoleva garantii tingimuseks on väidetavalt defektse seadme ettemakstud tagastamine väidetava defekti kontrollimiseks Graco volitatud turustajale. Kui väidetav puudus on tõestust leidnud, parandab Graco mis tahes puudusega osa või vahetab selle välja tasuta. Seade tagastatakse algele ostjale nii, et transpordi eest on ette makstud. Kui seadme ülevaatusel ei avastata ühtegi materjali või viimistluse puudust, parandatakse seade mõistliku tasu eest, mis võib sisaldada kulutusi osadele, tööle ja transpordile.

SEE GARANTII ON EKSKLUSIIVNE JA ASENDAB MIS TAHES OTSESED VÕI KAUDSED GARANTIID, KAASA ARVATUD, KUID LOETELUGA PIIRDUMATA: TURUSTATAVUSE GARANTII JA KINDLAKS EESMÄRGIKS SOBIVUSE GARANTII.

Graco ainus kohustus ja ostja ainus heastamisvahend garantii mis tahes rikkumise eest on eespool sätestatu. Ostja nõustub, et ükski muu heastamisvahend (mille hulka kuuluvad juhuslik või kaasnev kahju saamata jäänud tulude, teostamata müügi eest, isikule vigastuse tekitamise või varakahjustuse või mis tahes muu juhusliku või kaasneva kahju eest, kuid mis ei piirdu sellega) ei ole kohaldatav. Kõik hagid garantii rikkumise eest tuleb esitada kahe (2) aasta jooksul alates müügikuupäevast.

GRACO EI ANNA GARANTIID NING ÜTLEB OTSESELT LAHTI MIS TAHES GARANTIIST MÜÜDAVUSE JA TEATAVAKS OTSTARBEKS SOBIVUSE SUHTES LISAVARUSTUSE, SEADMETE, MATERJALIDE VÕI KOMPONENTIDE PUHUL, MIDA GRACO MÜÜB, KUID EI TOODA. Esemete, mida Graco on müünud, kuid mida ta ei ole tootnud (nagu näiteks elektrimootorid, lülitid, voolik jne) suhtes kehtib selle olemasolul nende tootjapoolne garantii. Graco annab ostjale mõistlikku abi mis tahes nõude esitamisel kõnealuste garantiide rikkumise eest.

Graco ei vastuta ühelgi juhul kaudse, juhusliku, eri- või kaasneva kahju eest, mis tuleneb alltoodud Graco tarneseadmetest, või selle juurde müüdnud mis tahes toodete või teiste kaupade sisseseadest, talitlusest või kasutusest, ükskõik, kas lepingu rikkumise, garantii rikkumise, Graco hooletuse tõttu või muul põhjusel.

**Graco reserves the right to make changes at any time without notice.**  
**Originaalkasutusjuhendi tõlge. This manual contains Estonian. MM 3A1490**  
**Graco Headquarters: Minneapolis**  
**International Offices: Belgium, China, Japan, Korea**  
**GRACO INC. P.O. BOX 1441 MINNEAPOLIS, MN 55440-1441**  
**www.graco.com**

# Satura rādītājs

<b>1</b>	<b>Drošības tehnika .....</b>	<b>325</b>
	<i>Norādījumu apzīmēšanai izmantotie simboli .....</i>	325
	<i>Brīdinājumi .....</i>	325
<b>2</b>	<b>Apraksts .....</b>	<b>327</b>
	<i>Vadības elementi .....</i>	327
	<i>Norādījumi par lietošanu .....</i>	328
	<i>Mērķis .....</i>	328
	<i>Cita informācija .....</i>	328
	<i>Pirms lietošanas .....</i>	328
<b>3</b>	<b>Pirms tīrītāja ieslēgšanas .....</b>	<b>329</b>
	<i>Tīrītāja iestatīšana .....</i>	329
	<i>Augstspiediena šļūtenes pievienošana .....</i>	329
	<i>BA vārsts .....</i>	330
	<i>Uzstādīšanas pamācība .....</i>	330
	<i>Apkope .....</i>	330
	<i>Ūdens avota pievienošana .....</i>	331
	<i>Strāvas avota pievienošana .....</i>	331
	<i>Pagarināšanas vads .....</i>	331
<b>4</b>	<b>Darbības vadīšana/lietošana .....</b>	<b>332</b>
	<i>Smidzinātāja pievienošana smidzināšanas pistolei .....</i>	332
	<i>Tīrītāja ieslēgšana, kad tas ir pievienots ūdens avotam .....</i>	332
	<i>Tīrītāja ieslēgšana, kad tas ir pievienots atvērtām tvertnēm (iesūkšanas režīms) .....</i>	332
	<i>Spiediena regulēšana (Powerspeed Vario Plus stobrs) .....</i>	333
	<i>Spiediena regulēšana ar FlexoPower Plus sprauslu .....</i>	333
	<i>Tīrīšanas līdzekļu izmantošana .....</i>	333
<b>5</b>	<b>Izmantošanas veidi un metodes .....</b>	<b>334</b>
	<i>Paņēmieni .....</i>	334
	<i>Mērcēšana .....</i>	334
	<i>Tīrīšanas līdzeklis un putas .....</i>	334
	<i>Temperatūra .....</i>	334
	<i>Mehāniskais efekts .....</i>	334
	<i>Spēcīga ūdens plūsma vai augstspiediens .....</i>	334
<b>6</b>	<b>Pēc tīrītāja lietošanas .....</b>	<b>335</b>
	<i>Tīrītāja izslēgšana .....</i>	335
	<i>Elektrības vada saritināšana un piederumu glabāšana .....</i>	335
	<i>Uzglabāšana .....</i>	335
	<i>Tīrītāja uzglabāšana (zem 0°C) .....</i>	335
<b>7</b>	<b>Traucējummeklēšana .....</b>	<b>336</b>
<b>8</b>	<b>Papildinformācija .....</b>	<b>337</b>
	<i>Transportēšana .....</i>	337
	<i>Remonts un tehniskā apkope .....</i>	337
	<i>Ierīce .....</i>	337
	<i>Garantija .....</i>	337
	<i>ES Atbilstības deklarācija .....</i>	338
	<i>Tehniskie dati .....</i>	339
	<i>Graco standarta garantija .....</i>	340

# 1 Drošības tehnika

## Norādījumu apzīmēšanai izmantotie simboli

### BRIESMAS

Briesmas, kas izraisa smagas traumas un neatgriežamus veselības traucējumus vai nāvi.

### BRĪDINĀJUMS

Briesmas, kas var izraisīt smagas traumas vai kā rezultātā var pat iestāties nāve.

### UZMANĪBU

Briesmas, kas var izraisīt vieglas traumas vai materiālus zaudējumus.

## Brīdinājumi

### BRĪDINĀJUMS

- Jebkura veida ekspluatācija, kas varētu apdraudēt darba un tehnisko drošību, ir aizliegta.
- Nedrīkst veikt nekādas mehānisko, elektrisko vai termisko drošības ierīču izmaiņas.
- Šī ierīce nav paredzēta bērniem vai personām ar traucētām fiziskām, sensorām vai mentālām spējām vai pieredzes un zināšanu trūkumu, ja viņiem nav nodrošināta uzraudzība vai apmācība.
- Šo mašīnu drīkst lietot, izmantojot tikai GRACO piegādātos vai ieteiktos ķīmiskos tīrīšanas līdzekļus. Citu ķīmisko tīrīšanas līdzekļu izmantošana var negatīvi ietekmēt mašīnas drošību.
- Sprādzienbīstamība – neizmantojot putekļsūcēju viegli uzliesmojošu šķidrumu izsmidzināšanai.



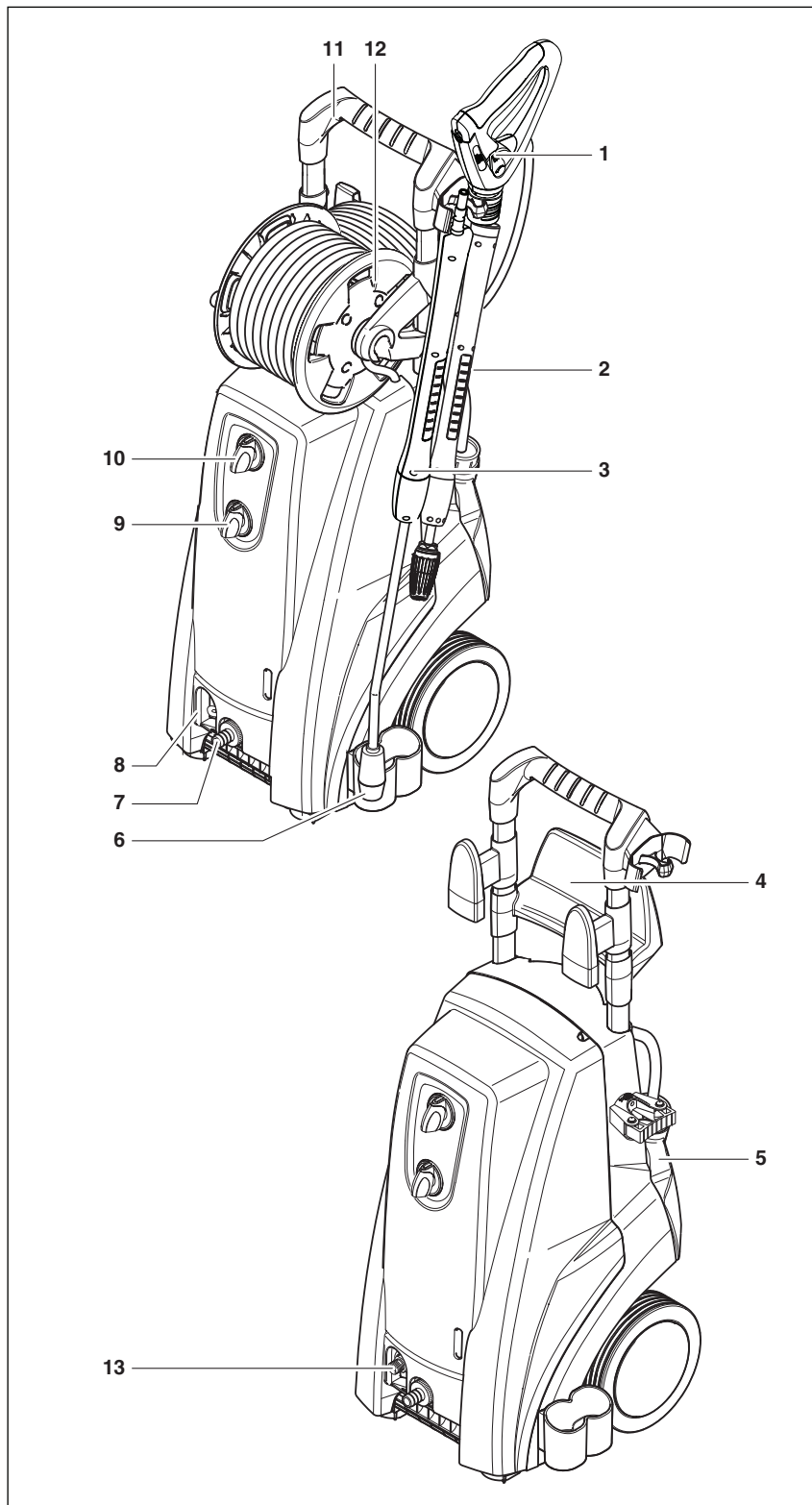
## UZMANĪBU

- Augstspiediena ūdens strūkļa var būt bīstama. Ūdens strūkļu nedrīkst novirzīt uz cilvēkiem, mājdzīvniekiem, elektroierīcēm un uz pašu augstspiediena mazgāšanas ierīci.
- Nekad nemēģiniet tīrīt apģērbus vai apavus sev un citām personām mugurā vai kājās.
- Lerīces darbības laikā operatoram un jebkurai citai personai, kas atrodas tīrīšanas zonas tiešā tuvumā, jāveic pasākumi, lai pasargātos no gružiem, kas atdalās augstspiediena ūdens strūkļa ietekmē. Strādājot ar ierīci, jālieto aizsargbrilles.
- Neapsedziet ierīci darbības laikā.
- Nedrīkst lietot augstspiediena mazgātāju tādā vidē, kur pastāv vai var izcelties sprādziena briesmas. Mazāko šaubu gadījumā lūdzu vērsieties pie vietējā pilnvarotā pārstāvja.
- Ar augstspiediena strūkļu nedrīkst tīrīt azbestu saturošas virsmas.
- Šo augstspiediena mazgāšanas iekārtu nedrīkst lietot temperatūrā zemākā par 0°C.
- Lietojiet tikai pareizu degvielu, kā norādīts. Nepareizas degvielas lietošana var izraisīt nopietnas riska situācijas.
- Tīrītāja darbības laikā pistoles vārstā un smidzinātājā rodas atspriesta spēks, un, turot smidzinātāju leņķīt, rodas arī griezes spēks. Tādēļ pistoles vārsts un smidzinātājs jātur stingri abās rokās.
- Pārliedzieties, vai tīrīšana neizraisīs bīstamu vielu (piem., azbesta, eļļas) noskalošanu no tīrāmā objekta, šādi nodarot kaitējumu videi.
- Nemazgājiet trauslas daļas, kas izgatavotas no gumijas, auduma u.c. ar 0° strūkļu. Ieturiet distanci starp augstspiediena sprauslu un virsmu, lai nepieļautu virsmas bojājumus.
- Nekādā gadījumā nelietojiet tīrītāju bez ūdens. Pat īslaicīgs ūdens trūkums var izraisīt nopietnus sūkņa blīvējuma bojājumus.
- Neizmantojiet nedrošas darba metodes.
- Nenostipriniet roktura mēlīti atvērtā pozīcijā.

## 2 Apraksts

### Vadības elementi

- |                                    |  |
|------------------------------------|--|
| 1. Augstspiediena strūklas pistole | filtrs                                     |
| 2. Elektropieslēguma kabelis       | 8. Ūdens padeve šļūtenes spolei            |
| 3. Strūklas caurule                | 9. Galvenais slēdzis                       |
| 4. Vieta elektrokabeļa uztīšanai   | 10. Tīrīšanas līdzekļu dozētājs            |
| 5. Tīrīšanas līdzekļu tvertne      | 11. Rokturis pārvietošanai                 |
| 6. Strūklas caurules novietne      | 12. Šļūtenes uztīšanas spole <sup>1)</sup> |
| 7. Ūdens pieslēgums un ūdens       | 13. Augstspiediena šļūtenes pieslēgums     |



## Norādījumi par lietošanu



Pirms tās ņemšanas ekspluatācijā noteikti izlasiet šo instrukciju un uzglabājiet noliktu pa rokai.

Ierīces ekspluatācija ir pakļauta spēkā esošām nacionālajām normām. Bez lietošanas instrukcijas un lietotāja valstī pastāvošiem saistošiem negadījumu novēršanas noteikumiem, jāievēro arī zināmi specifiski tehniskie darba drošības un profesionālie noteikumi.

## Mērķis

Šis augstspiediena tīrītājs ir izstrādāts profesionālai lietošanai. To var izmantot, lai mazgātu lauksaimniecības un celtniecības aprīkojumu, stāļus, transporta līdzekļus, aprūsējušas virsmas utt.

Tīrītājs nav paredzēts tādu virsmu tīrīšanai, kurām ir saskare ar pārtiku.

Jebkura cita veida pielietošana nav pieļaujama. Ražotājs neuzņemas nekādu atbildību par bojājumiem, kas rodas neatbilstošas lietošanas dēļ. Pareiza lietošana ietver sevī arī ražotāja rekomendēto ekspluatācijas, tehniskās apkopes un servisa nosacījumu stingru ievērošanu.

## Cita informācija

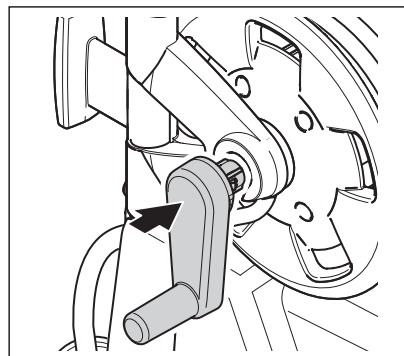
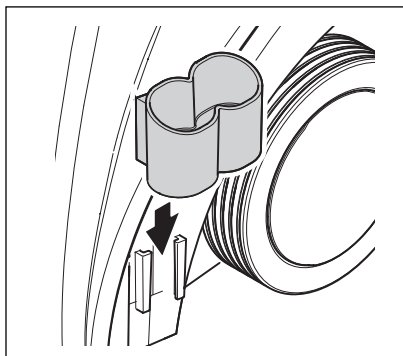
Ja jums rodas citi jautājumi, lūdzu, griezieties jūsu valstī atbildīgajā Nilfisk servisa nodaļā.

## Pirms lietošanas

Pirms ierīces lietošanas uzsākšanas rūpīgi pārbaudiet, vai tai nav defektu. Ja jūs esat atklājuši kādu defektu, neuzsāciet ierīces lietošanu, bet vērsieties pie GRACO izplatītāja.

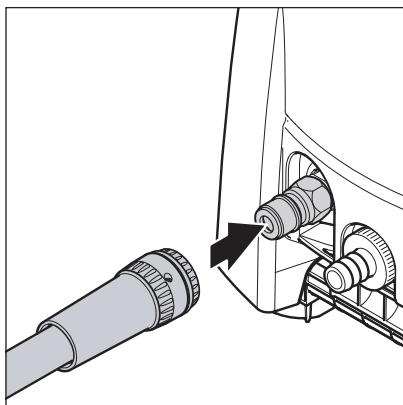
### 3 Pirms tīrītāja ieslēgšanas

Tīrītāja iestatīšana

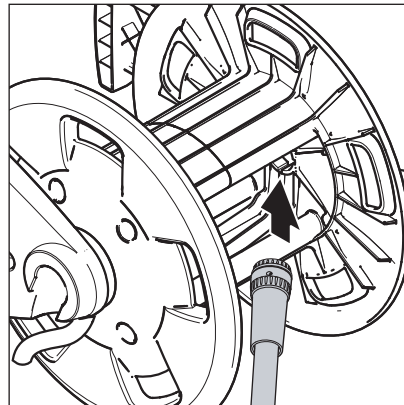


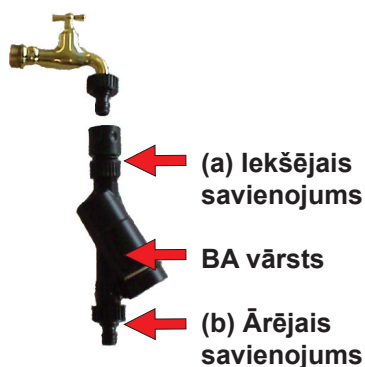
Augstspiediena šūtenes  
pievienošana

Iekārtas bez augstspiediena  
šūtenes spoles.



Iekārtas ar augstspiediena  
šūtenes spoli.



**BA vārsts**

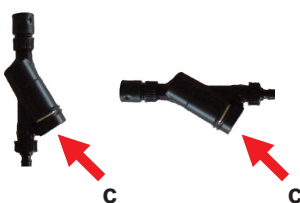
Augstspiediena tīrītāju drīkst pievienot dzeramā ūdens tīklam tikai, ja ir uzstādīts pretplūsmas vārsts, BA tips atbilstoši EN 1717.

BA vārstu var pasūtīt, norādot numuru:

- BA vārsts ar GARDENA savienojumiem: 106411177;
- BA vārsts ar NITO savienojumiem: 106411178;
- BA vārsts ar GEKA savienojumiem: 106411179;
- BA vārsts bez savienojumiem: 106411184.

Savienojumus var pasūtīt, norādot numuru:

- 3/4" GARDENA (a): 32541;
- 3/4" GARDENA (b): 1608629;
- 3/4" NITO (a): 1602945;
- 3/4" NITO (b): 1600659;
- 1/2" NITO (b): 1604669;
- 3/4" GEKA (a): 1718;
- 3/4" GEKA (b): 1311.

**Uzstādīšanas pamācība**

1. Piemontējiet ārējo savienojumu ūdens krānam.
2. Savienojiet (a) uz BA vārsta ar ūdens krānu.
3. Piemontējiet iekšējo savienojumu ūdens ieplūdes šļūtenei.
4. Savienojiet (b) uz BA vārsta ar ūdens ieplūdes šļūteni.
5. Pievienojiet ūdens ieplūdes šļūteni augstspiediena tīrītājam.
6. Ieslēdziet ūdens padevi un iedarbiniet iekārtu.

**UZMANĪBU**

- Pretplūsmas vārstu var uzstādīt gan vertikāli, gan horizontāli, un noteces atvērums (c) jāpiemontē, vārsts uz leju.
- Ūdenim no noteces atvēruma (c) jāplūst brīvi.
- Ja pastāv risks, ka ieplūdes ūdenī (piem., no akas) var būt smiltis, starp ūdens krānu un pretplūsmas vārstu jāuzstāda papildu filtrs.
- Šļūtenes garumam starp pretplūsmas vārstu un augstspiediena mazgātāju jābūt vismaz 12 metriem (min. diametrs – 3/4 collas), lai izlīdzinātu iespējamo maksimālo spiedienu.
- Tiklīdz ūdens ir izkļuvis caur pretplūsmas vārstu, tas vairs nav uzskatāms par dzeramo ūdeni.
- Sargiet pretplūsmas vārstu no jebkādas sala iedarbības.
- Uzturiet pretplūsmas vārstu tīru, bez netīrumiem.

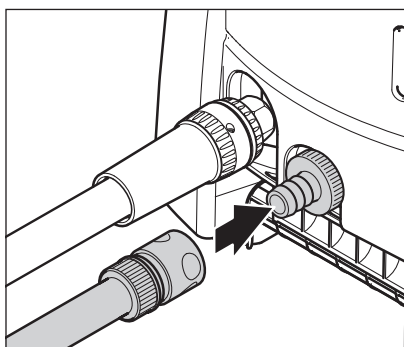
**Apkope**

Vismaz reizi gadā pārbaudiet iekārtas funkcionalitāti:

1. Pēc darba izslēdziet augstspiediena tīrītāju.
2. Aizveriet ūdens krāna vārstu.
3. Izlaidiet spiedienu no ūdens padeves šļūtenes, spiežot smidzināšanas pistoles mēlīti.
4. Nomontējiet pretplūsmas vārstu. Caur noteces atvērumu (c) ir jāiztek ūdenim (maks., 100 ml), lai nodrošinātu dzeramā ūdens atdalīšanu.
5. Ja tā nenotiek, mēģiniet iztīrīt BA vārstu vai sazinieties ar GRACO pārstāvi.



## Ūdens avota pievienošana



1. Rūpīgi izskalojiet ūdens avota šļūteni, lai pasargātu no smilšu un citu netīrumu daļiņu iekļūšanas iekārtā.
2. Pievienojiet iekārtai ūdens avota šļūteni.
3. Atveriet ūdens krānu.

### UZMANĪBU

- Zemas ūdens kvalitātes gadījumā (smiltis, utt.), mēs iesakām uz ūdens iepļūdes uzstādīt smalku ūdens filtru.
- Mēs iesakām izmantot tekstila ūdens šļūteni ar nominālo diametru min. 3/4" (19 mm).

## Strāvas avota pievienošana



Pirms ierīču ar sprieguma pārslēgšanu pieslēgšanas<sup>1)</sup>: Pārbaudiet, vai iepriekš izvēlētais ierīces spriegums atbilst elektroinstalācijas spriegumam. Pretējā gadījumā tīrītāja elektriskās ierīces var tikt bojātas.

### UZMANĪBU

- Pievienojiet iekārtu tikai pie elektroinstalācijas ar iezemējumu.
- Elektroinstalācija jāierīko sertifi cētām elektriķim.
- Saskaņā ar IEC- 60364-1 ir stingri ieteicams, ka šīs iekārtas strāvas avotā jābūt iekļautai paliekošās strāvas ierīcei (GFCI).
- Nebojājiet elektrības vadu (piem., pārbraucot tam pāri, velkot vai saspiežot to).
- Atvienojiet elektrības vadu, satverot tikai kontaktdakšu (nevelciet vai neraujiet elektrības vadu).

## Pagarināšanas vads

Izmantot tikai ražotāja noteiktos vai augstvērtīgāka izpildījuma pagarināšanas vadus.

Ievērot vadu minimālo šķērsgriezumu:

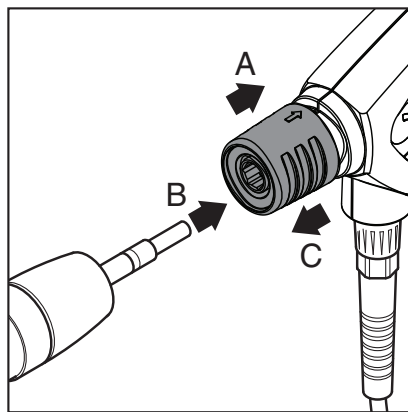
Kabeļu garums	Šķērsgriezums	
	< 16 A	< 25 A
līdz 20 m	1.5 mm <sup>2</sup>	2.5 mm <sup>2</sup>
no 20 līdz 50 m	2.5 mm <sup>2</sup>	4.0 mm <sup>2</sup>

### UZMANĪBU

- Izmantojot kabeļa ruļļus: Pārkaršanas un ugunsgrēka riska dēļ vienmēr līdz galam attiniet elektrības vadu.
- Elektriskā vada savienojumiem vienmēr jābūt sausiem un tie nedrīkst saskarties ar zemi.

## 4 Darbības vadīšana/lietošana

### Smidzinātāja pievienošana smidzināšanas pistolei

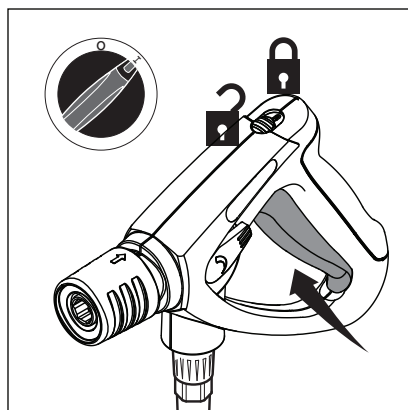


1. Pavelciet smidzināšanas pistoles zilo ātrās atbrīvošanas rokturi (A) atpakaļ.
2. Ievietojiet smidzinātāja (B) uzgali ātrās atbrīvošanas savienojumā un atbrīvojiet to.
3. Pavelciet smidzinātāja uzgali (vai citu piederumu) uz priekšu, lai pārbaudītu, vai tas ir stingri pievienots smidzināšanas pistolei.

#### UZMANĪBU

Pirms smidzinātāja pievienošanas smidzināšanas pistolei vienmēr iztīriet no nipeļa netīrumus.

### Tīrītāja ieslēgšana, kad tas ir pievienots ūdens avotam

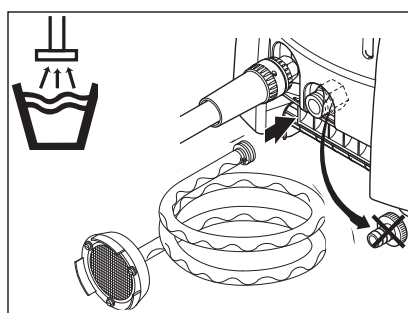


1. Galvenais slēdzis. Pagrieziet slēdzi pozīcijā „I”.
2. Atbloķējiet un izmantojiet smidzināšanas pistoli.
3. Pat neilgu paužu laikā nobloķējiet smidzināšanas pistoli.

#### UZMANĪBU

Izmantojiet smidzināšanas pistoli ar nelieliem pārtraukumiem, lai ventilētu sistēmu.

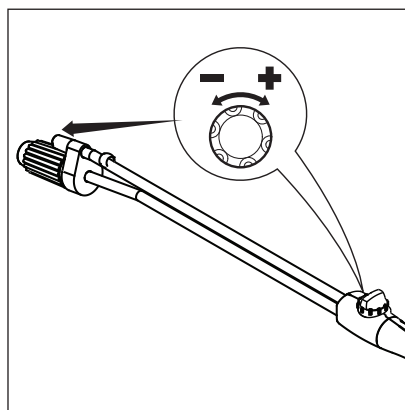
### Tīrītāja ieslēgšana, kad tas ir pievienots atvērtām tvertnēm (iesūkšanas režīms)



1. Pirms iesūkšanas šļūtenes pievienošanas tīrītājam piepildiet šļūteni ar ūdeni.
2. Galvenais slēdzis. Pagrieziet slēdzi pozīcijā „I”.
3. Atbloķējiet un izmantojiet smidzināšanas pistoli.

Maksimālais iesūkšanas augstums (iesūcot) = 1 m.

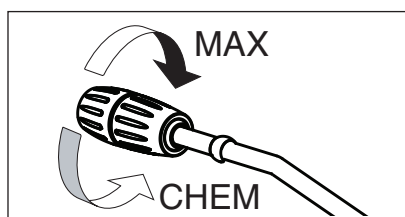
### Spiediena regulēšana (Powerspeed Vario Plus stobrs)



Pagrieziet pagriežamo aizmuri uz smidzināšanas iekārtas:

- Augsts spiediens = pulksteņrādītāja virzienā (+)
- Zems spiediens = pretēji pulksteņrādītāja virzienam (-)

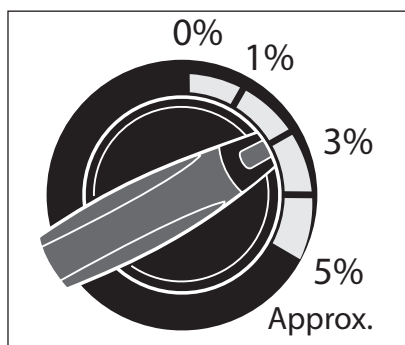
### Spiediena regulēšana ar FlexoPower Plus sprauslu



Pagrieziet FlexoPower Plus sprauslas vāciņu:

- Augsts spiediens = MAKS.
- Zems spiediens = MIN. (CHEM)

### Tīrīšanas līdzekļu izmantošana



arts, tikai zema spiediena režīmā.

1. Atšķaidiet tīrīšanas līdzekli atbilstoši ražotāja instrukcijām.
2. Noregulējiet spiedienu uz zemu iestatījumu.
3. Ielietā tīrīšanas līdzekļa daudzumu var regulēt, pagriežot dozatora vārstu.
4. Galvenais slēdzis. Pagrieziet slēdzi pozīcijā „I”.
5. Izmantojiet smidzināšanas pistoli.

Tīrīšanas līdzekli var ievadīt caur inžektoru, kas uzstādīts kā stand-

#### UZMANĪBU

Nekādā gadījumā neļaujiet tīrīšanas līdzeklim izžūt uz tīrāmās virsmas. Virsma var tikt sabojāta.

## 5 Izmantošanas veidi un metodes

### Paņēmiens

Efektīvu augstspiediena tīrīšanu var nodrošināt pāris vadlīniju ievērošana apvienojumā ar jūsu pašu personīgo pieredzi specifisku tīrīšanas darbu veikšanā. Pareizi izvēlēti piederumi un mazgāšanas līdzekļi var paaugstināt jūsu spiediena mazgātāja efektivitāti. Turpinājumā ir dota pamatinformācija par tīrīšanu.

### Mērcēšana

Piekaltušus vai biezus netīrumu slāņus var padarīt vieglāk notīrāmus un mīkstināt ar mērcēšanas palīdzību. Tā ir lieliska metode, piemēram, lauksaimniecībā, – teiksim, cūkkūītīs. Pilnvērtīgu mērcēšanu var panākt, izmantojot putas vai parastu sārmainu mazgāšanas līdzekli. Pirms mazgāšanas ar spiedienu ļaujiet šim produktam atrasties uz netīrās virsmas aptuveni 30 minūtes. Tā rezultāts būs daudz ātrāks augstspiediena tīrīšanas process.

### Tīrīšanas līdzeklis un putas

Putas vai tīrīšanas līdzekli jāuzklāj uz sausām virsmām, lai ķīmiskais produkts atrastos tiešā kontaktā ar netīrumiem. Tīrīšanas līdzekļi tiek uzklāti no apakšas uz augšu, piemēram, uz mašīnas karkasa, lai izvairītos no „pārāk tīriem“ laukumiem, kur tīrīšanas līdzeklis sakrājas augstākā koncentrācijā un notek uz leju. Pirms noskalošanas ļaujiet tīrīšanas līdzeklim pāris minūtes iedarboties, bet neļaujiet tam nožūt uz tīrāmās virsmas.

### Temperatūra

Tīrīšanas līdzekļi augstākā temperatūrā ir iedarbīgāki. Augstākā temperatūrā vieglāk sadalās arī smērvielas, eļļas un tauki. Proteīnus var notīrīt apmēram 60°C temperatūrā. Eļļas un pārvadājumu plēvi – aptuveni 70°C, bet smērvielas – 80°C – 90°C temperatūrā.

### Mehāniskais efekts

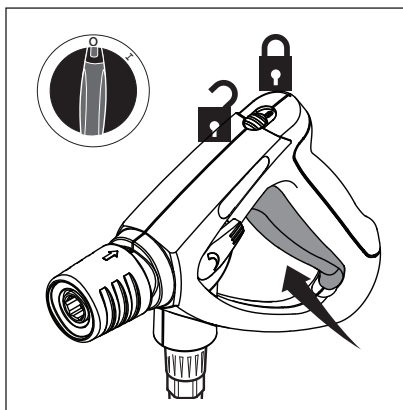
Lai cieti netīrumu slāņi sadalītos, var būt nepieciešama papildu mehāniskā iedarbība. Īpaši stobri un rotējošas suku vai mazgāšanas birstes piedāvā šo papildu efektu, kas palīdz tikt galā ar netīrumiem.

### Spēcīga ūdens plūsma vai augstspiediens

Augstspiediens ne vienmēr ir pats labākais risinājums, un augsts spiediens var sabojāt virsmas. Tīrīšanas efekts ir atkarīgs arī no ūdens plūsmas. Transportlīdzekļa tīrīšanai pietiek ar apmēram 100 bārus lielu spiedienu (kopā ar karsto ūdeni). Augstāks plūsmas līmenis palīdz vieglāk noskalot un aizskaloš prom lielākus netīrumu daudzumus.

## 6 Pēc tīrītāja lietošanas

### Tīrītāja izslēgšana



1. Pagrieziet galveno slēdzi pozīcijā „OFF”.
2. Aizveriet ūdens krānu.
3. Saspiediet strūklas pistoles rokturi, līdz tīrītājs ir dehermetizēts.
4. Bloķējiet uz smidzināšanas pistoles uzstādīto drošinātāju.

### Elektrības vada saritināšana un piederumu glabāšana

1. Satiniet vadu
2. Sarullējiet augstspiediena šļūteni.
3. Ievietojiet smidzinātāju smidzinātāja uzglabāšanas vietā.

#### UZMANĪBU

Pakļūšanas risks. Lai nepieļautu negadījumus, vienmēr rūpīgi saritiniet elektrības vadu un šļūteni.

### Uzglabāšana

Uzglabāt sausā un no sala aizsargātā vietā.

### Tīrītāja uzglabāšana (zem 0°C)

Ja sūknis tiek uzglabāts telpā, kuras temperatūra ir ap 0°C vai zemāka, sūknī jāiepilda antifrīzs.

1. Noņemiet ūdens ieplūdes šļūteni no tīrītāja.
2. Noņemiet izsmidzinātāju.
3. Ieslēdziet tīrītāju, novietojot galveno slēdzi pozīcijā „I”, un aktivizējiet sprūdu uz izsmidzināšanas pistoles.
4. Pievienojiet īsu sūkšanas šļūteni pie tīrītāja ūdens ieplūdes un otru galu ievietojiet tvertnē, kurā ieliets antifrīzs.
5. Ieslēdziet tīrītāju, novietojot galveno slēdzi pozīcijā „I”.
6. Turiet izsmidzināšanas pistoli virs tvertnes, kurā ir antifrīzs, un darbiniet, lai uzsāktu iesūkšanu.
7. Iesūkšanas laikā divas vai trīs reizes izmantojiet izsmidzināšanas pistoli.
8. Ņemiet iesūkšanas šļūteni no tvertnes, kurā ir antifrīzs, un iedarbiniet izsmidzināšanas pistoli, lai izpumpētu atlikušo antifrīzu.
9. Tīrītāja izslēgšana

#### UZMANĪBU

- Izvairītos no jebkādiem riskiem, pirms tīrītāja lietošanas atsūkšanas kādu laiku to uzglabājat siltā telpā.
- Nekad neiedarbiniet sasalušu ierīci.

## 7 Traucējummeklēšana

Fault	Iemesls	Risinājums
Spiediena pazemināšanās	<ul style="list-style-type: none"> <li>Sistēmā ir gaiss</li> </ul>	<ul style="list-style-type: none"> <li>Ventilējiet sistēmu, izmantojot smidzināšanas pistoli ar nelieliem pārtraukumiem. Ja nepieciešams, īsu brīdi darbiniet tīrītāju bez augstspiediena šļūtenes pievienošanas</li> </ul>
Spiediena svārstības	<ul style="list-style-type: none"> <li>Augstspiediena sprausla bloķēta / nodilusi</li> <li>Tīrīšanas līdzekļa tvertne ir tukša</li> <li>Sūkņi velk iekšā gaisu (tas iespējams tikai iesūkšanas režīmā)</li> <li>Ūdens trūkums</li> <li>Ūdens ieplūdes šļūtene ir par garu vai tās šķērsriezums ir pārāk mazs</li> <li>Ūdens trūkums, ko izraisījis bloķēts ūdens filtrs</li> <li>Ūdens trūkums, jo nav ievērots maks. pieļaujamais iesūkšanas augstums</li> </ul>	<ul style="list-style-type: none"> <li>Iztīriet / nomainiet augstspiediena šļūtenes sprauslu</li> <li>Piepildiet tīrīšanas līdzekļa tvertni vai iestatiet tīrīšanas līdzekļa dozatoru uz „0“</li> <li>Pārbaudiet, vai iesūkšanas ierīce ir labi noblīvēta</li> <li>Atveriet ūdens krānu</li> <li>Izmantojiet norādīto ūdens ieplūdes šļūteni</li> <li>Iztīriet filtru, kas atrodas iekārtas savienojuma vietā ar ūdensvadu (nekad neizmantojiet iekārtu bez ūdens filtra)</li> <li>Skatieties instrukcijās</li> </ul>
Motors neieslēdzas, kad tīrītājs tiek ieslēgts	<ul style="list-style-type: none"> <li>Kontaktspraudnis nav kārtīgi ievietots ligzdā, t.i. netiek pievadīta strāva</li> </ul>	<ul style="list-style-type: none"> <li>Pārbaudiet kontaktspraudni, vadu un slēdzi un, ja nepieciešams, lieciet elektrīķim tos nomainīt</li> </ul>
Kad tīrītājs ir ieslēgts, motors dūc bez ieslēgšanās	<ul style="list-style-type: none"> <li>Strāvas drošinātājs ir izslēgts</li> <li>Strāvas spriegums ir pārāk zems vai ir bojāta fāze</li> <li>Sūkņi ir bloķēti vai sasalis</li> <li>Nepareizs šķērsriezums vai pagarinātāja garums</li> </ul>	<ul style="list-style-type: none"> <li>Ieslēdziet strāvas drošinātāju</li> <li>Lieciet pārbaudīt elektrisko savienojumu</li> <li>Sazinieties ar GRACO klientu apkalpošanas servisu</li> <li>Izmantojiet vadu ar pareizu šķērsriezumu vai garumu</li> </ul>
Motors izslēdzas	<ul style="list-style-type: none"> <li>Motora pārkaršanas vai pārslodzes dēļ ir aktivizēta pārslodzes aizsardzība</li> </ul>	<ul style="list-style-type: none"> <li>Pārbaudiet, vai strāvas spriegums un tīrītāja spriegums ir vienāds. Izslēdziet tīrītāju un ļaujiet tam aptuveni 3 minūtes atdzist</li> </ul>
Netiek ievadīts tīrīšanas līdzeklis	<ul style="list-style-type: none"> <li>Augstspiediena sprausla ir netīra</li> <li>Inžektors ir netīrs vai iesūkšanas šļūtene ir bloķēta</li> <li>Tīrīšanas līdzekļa tvertne ir tukša</li> <li>FlexoPowerJet sprauslas vāciņš nav iestatīts zemam spiedienam</li> </ul>	<ul style="list-style-type: none"> <li>Nomainiet augstspiediena sprauslu</li> <li>Iztīriet</li> <li>Piepildiet tīrīšanas līdzekļa tvertni</li> <li>Skatieties 4. nodaļu</li> </ul>

## 8 Papildinformācija

### Transportēšana

Drošai pārvadāšanai transporta līdzekļos un uz tiem mēs iesakām iekārtu nostiprināt ar siksnām, lai novērstu tās slīdēšanu un sašķiebusanos.

Transportēšana (kad sašķiebusies):

- nesašķiebiet iekārtu tā, lai savienojuma vietas ar ūdens avotu būtu noliekta uz priekšu,
- atvienojiet iesūkšanas šļūteni no mazgāšanas līdzekļa tvertnes un aizveriet tvertnes iepildes atveri ar vāciņu, kas ietilpst iekārtas komplektā,
- pirms tīrītāja lietošanas: pārliecinieties, ka tiek nodrošināta sūkņa eļļas aizplūšana atpakaļ uz sūkņa korpusu. Pārbaudiet eļļas līmeni, uzpildiet, ja nepieciešams.

Pirms sūkņa transportēšanas temperatūrā, kas ir ap 0°C vai zemāka, sūknī jāiepilda antifrīzs (skat. 5. nodaļu).

### Remonts un tehniskā apkope

Pirms iekārtas tehniskās apkopes darbu veikšanas vienmēr izņemiet kontaktdakšu no rozetes.

### Ierīce

Nolietoto ierīci pirms utilizācijas adarīt nelietojamu:

1. Izvilkt no tīkla kontaktdakšu;
2. Pārdalīt pievades kabeli.
3. Neizmest elektroierīces sadzīves atkritumos.



Saskaņā ar Eiropas Padomes Direktīvu 2002/96/EK par Elektro un elektroniskajām nolietotajām ierīcēm tās ir savācamas atsevišķi no citiem atkritumiem un nogādājamas videi atbilstoši reciklēšanai.

### Garantija

Mūsu galvenie darījumu nosacījumi tiek piemēroti attiecībā uz garantiju. Tie var mainīties tehnisku uzlabojumu dēļ.

Garantijas noteikumi ir pārkāpti, ja iekārta netiek lietota saskaņā ar šo instrukciju vai tiek nepareizi ekspluatēta citā veidā. Garantijas noteikumi ir pārkāpti, ja iekārtas apkope netiek veikta, kā norādīts.

## ES Atbilstības deklarācija



# EC-DECLARATION OF CONFORMITY

EG-VERKLARING VAN OVEREENSTEMMING, DÉCLARATION DE CONFORMITÉ CE, EG-KONFORMITÄTSEKTLÄRUNG, DICHIARAZIONE DI CONFORMITÀ CE, EF-OVERENSSTEMMELSESERKLÆRING, ΕΚ-ΔΗΛΩΣΗ ΣΥΜΜΟΡΦΩΣΗΣ, DECLARAÇÃO DE CONFORMIDADE - CE, DECLARACIÓN DE CONFORMIDAD DE LA CE, EY-VAATIMUSTENMUKAISUUSVAKUUTUS, EG-DEKLARATION OM ÖVERENSSTÄMMELSE, ES PROHLÁŠENÍ O SHODĚ, EÜ VASTAVUSDEKLARATSIOON, EC MEGFEJELŐSÉGI NYILATKOZAT, EK ATBILSTĪBAS DEKLARĀCIJA, ES ATITIKTIES DEKLARACIJA, DEKLARACJA ZGODNOŚCI UE, DIKJARAZZJONI-KE TA' KONFORMITA', IZJAVA ES O SKLADNOSTI, ES - VYHLÁŠENIE O ZHODE, EO-ДЕКЛАРАЦИЯ ЗА СЪВМЕСТИМОСТ, DEIMHNIÚ COMHRÉIREACHTA CE, CE-DECLARAȚIE DE CONFORMITATE

## Model

AquaMax 2330E, 2335E

Modèle, Modell, Modello, Μοντέλο,  
Modelo, Malli, Mudel, Modelis, Mudell, Модел, Samhail

## Part

287428, 287429

Bestelnr., Type, Teil, Codice, Del, Μέρος, Peça,  
Referencia, Osa, Součást, Részegység, Daja, Dalis,  
Część, Taqsimā, Čast, Част, Páirt, Parte

## Complies With The EC Directives:

Voldoet aan de EG-richtlijnen, Conforme aux directives CE, Entspricht den EG-Richtlinien, Conforme alle direttive CE, Overholder EF-direktiverne, Σύμφωνα με τις Οδηγίες της ΕΚ, Em conformidade com as Directivas CE, Cumple las directivas de la CE, Täyttää EY-direktiivien vaatimukset, Uppfyller EG-direktiven, Shoda se směrnicemi ES, Vastab EÜ direktiividele, Kielegítii az EK irányelvek követelményeit, Atbilst EK direktīvām, Atitinka sias ES direktyvas, Zgodność z Dyrektywami UE, Konformi mad-Direttivi tal-KE, V skladu z direktivami ES, Je v súlade so smernicami ES, Съвместимост с Директиви на ЕО, Tá ag teacht le Treoracha an CE, Respectá directivele CE

2006/42/EC Machine Directive

2006/95/EC Low Voltage Directive

2004/108/EC EMC Directive

## Standards Used:

Gebruikte maatstaven, Normes respectées, Verwendete Normen, Norme applicate, Anvendte standarder, Πρότυπα που χρησιμοποιήθηκαν, Normas utilizadas, Normas aplicadas, Sovellettavat standardit, Tillämpade standarder, Použité normy, Rakendatud standardid, Alkalmazott szabványok, Izmantotie standarti, Taikyti standartai, Užyte normy, Standards Uzati, Uporabljeni standardi, Použité normy, Използвани стандарти, Cíghdeáin arna n-úsáid, Standarde utilizate

EN 12100, EN 60335-2-79, EN 55014-1, EN 55014-2, EN 61000-3-2, DIN EN 60335-2-79

## Notified Body for Directive

Aangemelde instantie voor richtlijn, Organisme notifié pour la directive, Benannte Stelle für diese Richtlinie, Ente certificatore della direttiva, Bemyndiget organ for direktiv, Διακωλυμένο όργανο Οδηγίας, Organismo notificado relativamente à directiva, Organismo notificado de la directiva, Direktiivin mukaisesti ilmoitettu tarkastuslaitos, Anmält organ för direktivet, Úředně oznámený orgán pro směrnici, Teavitatud asutus (direktiivi järgi), Az irányelvvvel kapcsolatban értesített testület, Pilnvarotā iestāde saskaņā ar direktīvu, Apie direktīvu Informuota institūcija, Ciało powiadomione dla Dyrektywy, Korp avzat bid-Direttiva, Priglašeni organ za direktivo, Notifikovaný orgán pre smernicu, Нотифициран орган за Директива, Comhlacht ar tugadh fógra dó, Organism notificat în conformitate cu directiva

--	--	--	--

## Approved By:

Goedgekeurd door, Approuvé par, Genehmigt von, Approvato da, Godkendt af, Έγκριση από, Aprobado por, Aprobado por, Hyväksynyt, Intygas av, Schwäilit, Kinnitanud, Jóváhagyta, Apstiprināts, Patvirtino, Zatwierdzone przez, Approvat minn, Odobril, Schválené, Одобрено от, Фаофа аг, Aprobat de

**Hans van Cranenbroek**

**Manufacturing, Engineering and Warehousing Manager**

10 JANUARY 2011

### Manufactured By:

**GRACO INC.**  
88 - 11<sup>th</sup> Avenue N.E.  
Minneapolis, MN 55413  
USA

### Authorized Representative:
















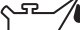

**GRACO N.V.**  
Slakweidestraat 31  
3630 Maasmechelen  
BELGIUM

**199382**

**A**



## Tehniskie dati

		AquaMax 2330E	AquaMax 2335E
	V/Ph/Hz	230/1/50	400/3/50
	A	16	10
	kW	3.3	4.2
<b>I</b>	A	15	7.6
		IP X5	IP X5
	bar/MPa	160/16	160/16
	bar/MPa	200/20	200/20
	l/h	560	700
	l/h	620	760
<b>Cleaning Impact</b>	kg/Force	3.0	3.6
		0350	0475
	°C	50	50
	bar / MPa	10/1	10/1
	mm	450 x 380 x 1040	450 x 380 x 1040
	kg	40.4	40.4
 <b>EN 60704-1</b>	dB(A)	74.6	75
 <b>L<sub>WA</sub></b>	dB(A)	87.9	90
<b>Vibration ISO 5349</b>	m/s <sup>2</sup>	< 2.5	< 2.5
<b>Recoil forces</b>	N	28	35
	l	0.225	0.225
 <b>TYPE</b>	Agip Rotra 80W-90		

## Graco standarta garantija

Graco garantē sākotnējam pircējam un izmantotājam visa šajā rokasgrāmatā minētā aprīkojuma, ko ražojis Graco un kas marķēts ar šī uzņēmuma nosaukumu, materiālu un apdares kvalitāti iegādes datumā. Neskaitot kādu īpašu, pagarinātu vai ierobežotu garantiju, ko publicējis Graco, Graco divpadsmit mēnešu laikā pēc iegādes datuma salabos vai nomainīs jebkuru aprīkojuma daļu, kuras bojājumu Graco būs konstatējis. Šī garantija ir spēkā tikai tad, ja aprīkojums ir uzstādīts, izmantots un uzturēts atbilstoši Graco rakstiskajiem ieteikumiem.

Šī garantija neattiecas uz vispārēju nodilumu un nolietojumu, jebkādiem darbības traucējumiem, kas radušies nepareizas uzstādīšanas, nepareizas izmantošanas, noberzuma, korozijas, nepiemērotas vai nepareizas apkopes, nolaidības, nelaimes gadījuma, izmaiņu vai daļu nomaiņas ar detaļām, ko nav izgatavojis Graco, rezultātā, un Graco par to nebūs atbildīgs. Graco nebūs atbildīgs arī par nepareizu darbību, bojājumu vai nodilumu, kas radies pēc Graco aprīkojuma nepiemērotības tām struktūrām, piederumiem, aprīkojumam vai materiāliem, ko nav piegādājis Graco, vai pēc to struktūru, piederumu, aprīkojuma vai materiālu, ko nav piegādājis Graco, nepareizas konstrukcijas, izgatavošanas, uzstādīšanas, darbības vai apkopes.

Šīs garantijas ietvaros tiek izvirzīts nosacījums, ka šīetami defektīvais aprīkojums, iepriekš samaksājot par atpakaļnosūtīšanu, jānogādā norādītā bojājuma pārbaudei pie kāda pilnvarota Graco izplatītāja. Ja norādītais defekts būs apstiprinājies, Graco jebkuru bojāto detaļu salabos vai nomainīs bez maksas. Aprīkojums tiks nosūtīts atpakaļ sākotnējam pircējam viena iepriekš apmaksātajā piegādes veidā. Ja aprīkojuma pārbaudes rezultātā netiks konstatēts nekāds materiāla vai apdares defekts, tad remonts tiks veikts par saprātīgu samaksu, kas var ietvert maksu par detaļām, darbu un transportēšanu.

**ŠĪ GARANTIJA IR EKSKLUZĪVA UN PIEMĒROJAMA VISU CITU, TĪEDU VAI NETĪEDU, GARANTIJU VIETĀ, IESKAITOT, BET NEAPROBEĒJOTIES AR, KOMERCDARBĪBAS GARANTIJU VAI PIEMĒROTĪBAS GARANTIJU NOTEIKTAM MĒRĪM.**

Graco vienpersonisks pienākums un pircēja vienīgais tiesiskās aizsardzības līdzeklis būs tāds, kā norādīts augstāk. Pircējs piekrīt, ka nebūs pieejami nekādi citi tiesiskās aizsardzības līdzekļi (ieskaitot, bet neaprobežojoties ar tiem, nejaudus vai izrietošus bojājumus par zaudētu peļņu, nenotikušus darījumus, traumas vai īpašuma bojājumu vai kādu citu nejaudū vai izrietošu zaudējumu). Jebkuras prasības par garantijas noteikumu pārkāpšanu jāizvirza divu (2) gadu laikā no pārdošanas datuma.

**GRACO NEDOD NEKĀDU GARANTIJU UN ATSAUC VISAS NETĪEDĀS KOMERCDARBĪBAS UN PIEMĒROTĪBAS ZINĀMAM MĒRĪM GARANTIJAS, KAS SAISTĪTAS AR PIEDERUMIEM, APRĪKOJUMU, MATERIĀLIEM VAI SASTĀVDAĪĀM, KO PĀRDOD, BET NERAĒO GRACO.** Uz lietām, kuras pārdod, bet neražo Graco (teiksim, elektromotoriem, slēdžiem, šīūtenčm utt.), attiecas to ražotāju garantija, ja tāda ir. Graco sniegs pircējam pamatotu palīdzību prasības iesniegšanai par šo garantiju pārkāpšanu.

Graco nekādā gadījumā nebūs atbildīgs par Graco piegādātā aprīkojuma vai tā apdares un veiktspējas vai jebkuru pārdoto produktu vai preču netīdēm, nejaudēm, tīdēm vai izrietošiem bojājumiem, vai nu līguma laušanas, vai garantijas pārkāpšanas, vai Graco nolaidības vai cita iemesla dēļ.

**Graco reserves the right to make changes at any time without notice.**

**Ekspluatācijas rokasgrāmatas oriģināla tulkojums. This manual contains Latvian. MM 3A1490**

**Graco Headquarters: Minneapolis**

**International Offices: Belgium, China, Japan, Korea**

**GRACO INC. P.O. BOX 1441 MINNEAPOLIS, MN 55440-1441**

**www.graco.com**

# Turinys

<b>1</b>	<b>Svarbūs saugumo nurodymai.....</b>	<b>342</b>
	<i>Simboliai, naudojami žymėjimo instrukcijose.....</i>	<i>342</i>
	<i>Įspėjimai.....</i>	<i>342</i>
<b>2</b>	<b>Aprašymas.....</b>	<b>344</b>
	<i>Darbo elementai.....</i>	<i>344</i>
	<i>Naudojimo instrukcijos.....</i>	<i>345</i>
	<i>Įrenginio naudojimas pagal paskirtį.....</i>	<i>345</i>
	<i>Papildoma informacija.....</i>	<i>345</i>
	<i>Prieš naudojimą.....</i>	<i>345</i>
<b>3</b>	<b>Prieš paleidžiant plovimo įrenginį.....</b>	<b>346</b>
	<i>Plovimo įrenginio reguliavimas.....</i>	<i>346</i>
	<i>Aukšto slėgio žarnos prijungimas.....</i>	<i>346</i>
	<i>BA vožtuvai.....</i>	<i>347</i>
	<i>Įrengimas.....</i>	<i>347</i>
	<i>Techninė priežiūra.....</i>	<i>347</i>
	<i>Vandens tiekimo prijungimas.....</i>	<i>348</i>
	<i>Elektros jungtys.....</i>	<i>348</i>
	<i>Pailginimo kabelis.....</i>	<i>348</i>
<b>4</b>	<b>Valdymas / darbas.....</b>	<b>349</b>
	<i>Purškimo antgalio prijungimas prie purškimo įtaiso.....</i>	<i>349</i>
	<i>Plovimo įrenginio įjungimas, kai įrenginiui pajungtas vanduo.....</i>	<i>349</i>
	<i>Plovimo įrenginio įjungimas, kai vanduo tiekiamas iš atvirų rezervuarų (įsiurbimo režimas).....</i>	<i>349</i>
	<i>Slėgio reguliavimas Powerspeed Vario Plus lancetas.....</i>	<i>350</i>
	<i>Slėgio reguliavimas naudojant FlexoPower Plus purkštuką.....</i>	<i>350</i>
	<i>Plovimo priemonių naudojimas.....</i>	<i>350</i>
<b>5</b>	<b>Paskirtis ir naudojimo būdai.....</b>	<b>351</b>
	<i>Naudojimo būdai.....</i>	<i>351</i>
	<i>Atmirkymas.....</i>	<i>351</i>
	<i>Plovimo / dezinfekavimo priemonės ir putas.....</i>	<i>351</i>
	<i>Temperatūra.....</i>	<i>351</i>
	<i>Mechaninis poveikis.....</i>	<i>351</i>
	<i>Aukšto slėgio vandens srovė arba tiesiog aukštas slėgis.....</i>	<i>351</i>
<b>6</b>	<b>Po valymo įrenginio naudojimo.....</b>	<b>352</b>
	<i>Valymo įrenginio išjungimas.....</i>	<i>352</i>
	<i>Elektros laidų suvyniojimas ir priedų laikymas.....</i>	<i>352</i>
	<i>Sandėliavimas.....</i>	<i>352</i>
	<i>Plovimo įrenginio laikymas (žemesnėje kaip 0°C temperatūroje).....</i>	<i>352</i>
<b>7</b>	<b>Gedimų lokalizavimas ir šalinimas.....</b>	<b>353</b>
<b>8</b>	<b>Papildoma informacija.....</b>	<b>354</b>
	<i>Transportavimas.....</i>	<i>354</i>
	<i>Remontas ir techninė priežiūra.....</i>	<i>354</i>
	<i>Siurblys.....</i>	<i>354</i>
	<i>Garantija.....</i>	<i>354</i>
	<i>ES atitikties deklaracija.....</i>	<i>355</i>
	<i>Techniniai duomenys.....</i>	<i>356</i>
	<i>„Graco“ standartinė garantija.....</i>	<i>357</i>

# 1 Svarbūs saugumo nurodymai

Simboliai, naudojami žymėjimo instrukcijose

## PAVOJUS

Sunkaus ar net mirtino sužalojimo pavojus.

## PERSPĖJIMAS

Sunkaus ar net mirtino sužeidimo pavojus.

## ATSARGIAI

Sužeidimo ar materialinės žalos pavojus.

Įspėjimai

## PERSPĖJIMAS

- Venkite rizikingų darbo būdų.
- Negalima keisti mechaninių, elektrinių arba šiluminių saugos įtaisų.
- Šio prietaiso negalima duoti naudotis vaikams arba asmenims su silpnesniais fiziniais, juliniais arba protiniais gebėjimais, neturintiems pakankamai patirties arba žinių, nebent jie yra prižiūrimi arba buvo instruktuoti.
- Ši mašina turi būti naudojama tik su „GRACO“ tiekiamomis arba rekomenduojamomis cheminėmis medžiagomis. Naudojant kitus plovimo chemikalus, tai gali neigiamai paveikti mašinos saugumą.
- Sprogimo pavojus – nenaudokite valymo prietaiso purkšti degiems skysčiams.



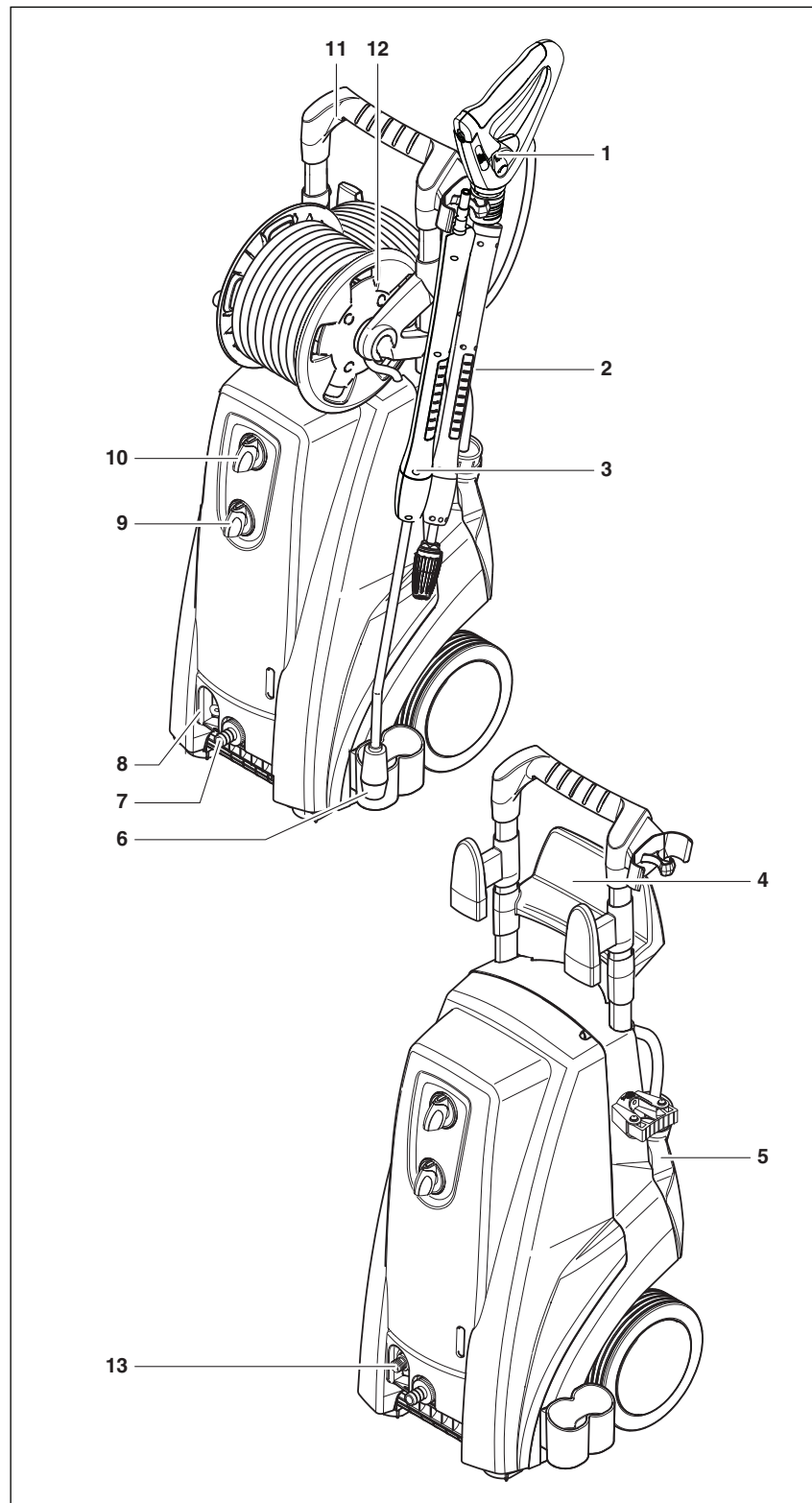
## ATSARGIAI

- Aukšto slėgio vandens srovė gali būti pavojinga. Niekada nenukreipkite vandens srovės į žmones, gyvulius, veikiančius elektros prietaisus, bei į patį aukšto slėgio plovimo įrenginį.
- Nekada nebandykite valyti jūsų ar kitų asmenų dėvimų drabužių ar avalinės.
- Įrenginio veikimo metu operatorius ir bet kurie kiti asmenys, esantys arti valomos vietos, turi imtis priemonių apsisaugoti nuo atsiskiriančių šiukšlių ir nuolaužų, šalinamų vandens srove. Dirbant su įrenginiu, būtina naudotis apsauginiais akiniais.
- Neapdenkite veikiančio plovimo įrenginio.
- Draudžiama naudoti aukšto slėgio plovimo įrenginius sprogdimo atžvilgiu pavojingose vietose. Kilus menkiausioms abejonėms, kreipkitės į artimiausią įgaliotą atstovą.
- Aukšto slėgio vandens srove negalima valyti asbesto turinčių paviršių.
- Šio aukšto slėgio plovimo įrenginio negalima eksploatuoti žemesnėje nei 0°C temperatūroje.
- Pilkite tik tinkamą kurą. Kai naudojamas netinkamas kuras, kyla pavojus sugadinti įrenginį.
- Veikiant valymo įrenginiui sukuriama atgalinė purkštovo pistoleto jėga, o laikant ją kampu – sukuriamas sukimo momentas. Todėl pistoletą ir purkštovo antgalį reikia tvirtai laikyti abiem rankomis.
- Įsitikinkite, kad darbo metu nuo valomo objekto nebus nuplautos pavojingos medžiagos (pvz., asbestas, tepalai) ir nepakenks aplinkai.
- 0° srove nevalykite jautrių dalių, pagamintų iš gumos, medžiagos ir kt. Norėdami išvengti paviršiaus pažeidimų, antgalį laikykite toliau nuo valomo paviršiaus.
- Nedirbkite taikydami nesaugius metodus.
- Neužfiksuokite atidaryto purkštovo.

## 2 Aprašymas

### Darbo elementai

- |   |                                     |
|---|-------------------------------------|
| 1. Apipurškimo pistoletas                     | vandens filtras                     |
| 2. Elektrinis prijungimo laidas               | 8. Vandens tiekimas į žarnos ritę   |
| 3. Purškimo vamzdis                           | 9. Pagrindinis jungiklis            |
| 4. Elektros tinklo prijungimo laido laikiklis | 10. Valiklio dozatorius             |
| 5. Valiklio bakas                             | 11. Stumdoma svirtis                |
| 6. Purškimo vamzdžio laikiklis                | 12. Žarnos būgnas <sup>1)</sup>     |
| 7. Vandens prijungimas ir                     | 13. Didžiaslėgės žarnos prijungimas |



**Naudojimo instrukcijos**

Prieš jungdami įrenginį, būtinai šį dokumentą perskaitykite ir laikykite jį taip, kad, prireikus, jis visuomet būtų lengvai randamas.

Įrenginį eksploatuoti reikia pagal galiojančias šalyje taisykles. Be naudojimo instrukcijoje esančių ir šalyje galiojančių taisyklių būtina laikytis ir bendrų techninių eksploatacijos bei saugos taisyklių.

**Įrenginio naudojimas pagal paskirtį**

Aukšto slėgio valymo įrenginys skirtas profesionaliam naudojimui. Jis gali būti naudojamas žemės ūkio ir statybos įrangai, arklidėms, automobiliams, aprūdijusiems paviršiams ir pan. plauti.

Plovimo įrenginys nėra skirtas plauti paviršiams, kurie kontaktuoja su maistu.

Bet koks kitoks naudojimas yra naudojimas ne pagal paskirtį. Gamintojas neatsakingas už galimą tokiu atveju žalą. Būtina naudojimo pagal paskirtį sąlyga yra gamintojo nustatytų naudojimo, techninio aptarnavimo ir remonto taisyklių laikymasis.

**Papildoma informacija**

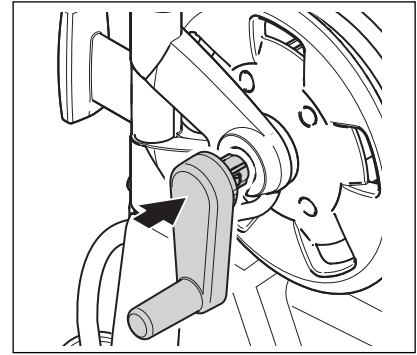
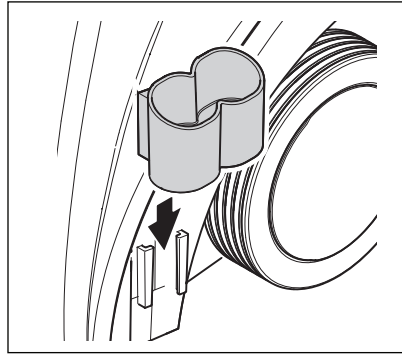
Visais kitais klausimais dėl įrenginio kreipkitės į Jūsų šalyje esančią GRACO serviso tarnybą.

**Prieš naudojimą**

Prieš pradėdami darbą, įsitikinkite, ar įrenginys yra tvarkingas ir saugus naudoti. Aptikus defektą, nepradėkite darbo su įrenginiu, o kreipkitės į jūsų GRACO platintoją.

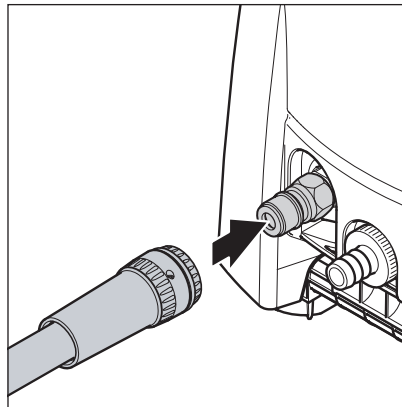
### 3 Prieš paleidžiant plovimo įrenginį

Plovimo įrenginio reguliavimas

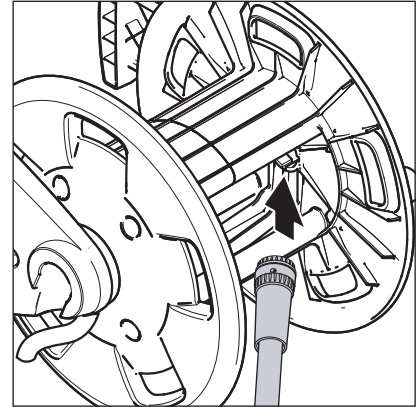


Aukšto slėgio žarnos  
prijungimas

Įrenginiai be aukšto slėgio žarnos  
ritės.




Įrenginiai su aukšto slėgio žarnos  
rite.





**BA vožtuvas**

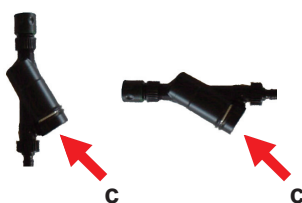
 Aukšto slėgio plovimo / valymo įrenginys gali būti prijungiamas tik prie geriamojo vandens tiekimo sistemos, įstačius tinkamą atgalinio srauto BA tipo stabdymo vožtuvą pagal EN 1717.

BA vožtuvą galima užsisakyti pagal numerį:

- BA vožtuvai, įskaitant GARDENA movas: 106411177
- BA vožtuvai, įskaitant NITO movas: 106411178
- BA vožtuvai, įskaitant GEKA movas: 106411179
- BA vožtuvai be movų: 106411184

Movas galima užsisakyti pagal numerį:

- 3/4" GARDENA (a): 32541
- 3/4" GARDENA (b): 1608629
- 3/4" NITO (a): 1602945
- 3/4" NITO (b): 1600659
- 1/2" NITO (b): 1604669
- 3/4" GEKA (a): 1718
- 3/4" GEKA (b): 1311

**Įrenginys**

1. Sumontuokite įkišamą jungtį ant vandens čiaupo.
2. Prijunkite (a) ant BA vožtuvo prie vandens čiaupo.
3. Sumontuokite sukabinimo movą ant vandens įleidimo žarnos.
4. Prijunkite (a) ant BA vožtuvo prie vandens įleidimo žarnos.
5. Prijunkite vandens įleidimo žarną prie aukšto slėgio ploviklio
6. Įjunkite vandenį ir paleiskite mašiną.

**ATSARGIAI**

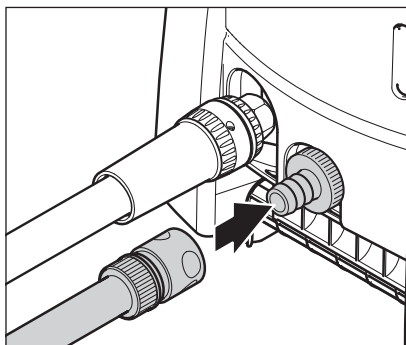
- Atgalinio tekėjimo apsaugos skyriklis gali būti montuojamas vertikaliai arba horizontaliai, o nutekėjimo anga (c) turi būti nukreipta žemyn.
- Vanduo iš nutekėjimo angos (c) turi tekėti laisvai.
- Jei yra pavojus, kad į įleidžiamą vandenį gali patekti smėlio (t.y. iš jūsų šulinio), turi būti sumontuotas papildomas filtras tarp vandens čiaupo ir atgalinio tekėjimo apsaugos skyriklio.
- Žarnos ilgis tarp atgalinio srauto stabdymo vožtuvo ir aukšto slėgio plovimo įrenginio turi būti bent 6 metrų (minimalus skersmuo 3/4 colio), kad būtų galima panaikinti galimus slėgio šuolius.
- Kai tik vanduo prateka pro BA vožtuvą, jis laikomas nebetinkamu gerti.
- Saugokite atgalinio tekėjimo skyriklį nuo šalčio poveikio.
- Užlaikykite atgalinio tekėjimo skyriklį švariai ir be purvo.

**Techninė priežiūra**

Bent kartą per metus patikrinkite veikimą:

1. Po darbo išjunkite aukšto slėgio siurblį.
2. Užsukite vandens čiaupą.
3. Išleiskite slėgį iš vandens slėginės žarnos, įjungę purškimo pistoletą.
4. Nuimkite atgalinio tekėjimo skyriklį. Vanduo turi išbėgti iš nutekėjimo angos (c) (ne daugiau kaip 100 ml), siekiant atskirti geriamąjį vandenį.
5. Jei taip nėra, pabandykite išvalyti BA vožtuvą arba kreipkitės į savo „GRACO“ atstovą.

## Vandens tiekimo prijungimas



1. Trumpai praskalaukite vandens tiekimo žarną, kad į prietaisą nepatektų smėlio ar kitų purvo dalelių.
2. Prie prietaiso prijunkite vandens tiekimo žarną.
3. Atsukite vandens čiaupą.

### ATSARGIAI

- Jei vandens kokybė bloga (smėlis ir kt.), rekomenduojame vandens paėmimo mazge sumontuoti smulkų vandens filtrą.
- Rekomenduojame naudoti medžiaga sutvirtintą mažiausio nominalaus 3/4" (19 mm) skersmens vandens žarną.

## Elektros jungtys



Prieš prijungdami įrenginius su įtampos pasikeitimu<sup>1)</sup>: patikrinkite, ar parinkta mašinos įtampa atitinka įtampą, nurodytą elektros instaliacijoje. Kitaip kyla pavojus, kad suges mašinos elektros įrenginiai.

### ATSARGIAI

- Įrenginį galima prijungti tikrai prie elektros instaliacijos su įžeminimu.
- Elektros instaliacija turi būti įrengiama sertifikuoto elektriko.
- Pagal IEC-60364-1 rekomenduojama, kad elektros tiekimas šiam įrenginiui turi turėti liekamosios srovės įrenginį (GFCI).
- Nepažeiskite elektrinio maitinimo laido (pvz., jį pervažiuodami, traukdami ar uždėdami ant jo svorį).
- Laidą ištraukite laikydami už kištuko (netraukite ir netempkite paties laido).

## Pailginimo kabelis

Naudokite gamintojo rekomenduojamus ar kokybiškus pailginimo kabelius.

Kabelio gyslos skerspjūvis turi būti ne mažesnis:

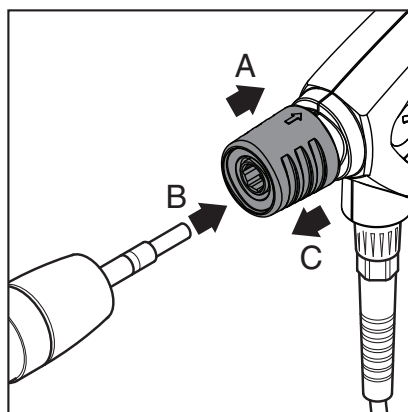
Kabelio ilgis	Skerspjūvis	
	< 16 A	< 25 A
iki 20 m	1.5 mm <sup>2</sup>	2.5 mm <sup>2</sup>
nuo 20 iki 50 m	2.5 mm <sup>2</sup>	4.0 mm <sup>2</sup>

### ATSARGIAI

- Naudodami laidų ritinius: Kad neperkaistų ir nekiltų gaisras, maitinimo laidus visada visiškai išvyniokite.
- Visi elektros laido jungimai turi būti sausi ir neturi susiliesti su žeme.

## 4 Valdymas / darbas

### Purškimo antgalio prijungimas prie purškimo įtaiso

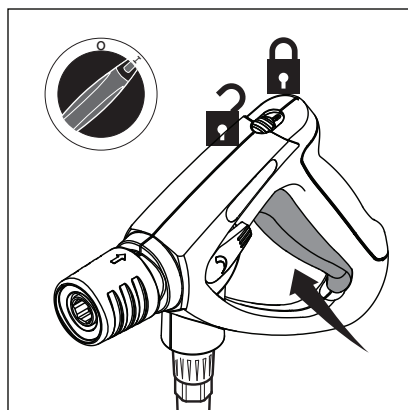


1. Patraukite mėlyną purkštuvo greito atleidimo tvirtinimą (A) atgal.
2. Į greito išleidimo jungtį įstatykite purkštuvo antgalio galiuką (B) ir jį atleiskite.
3. Patraukite purškimo antgalį (ar kt. priedus) į priekį – patikrinsite, ar jis gerai pritvirtintas prie purkštuvo.

#### ATSARGIAI

Prieš prijungdami purškimo antgalį prie purkštuvo, visada nuvalykite nešvarumus.

### Plovimo įrenginio įjungimas, kai įrenginiui pajungtas vanduo

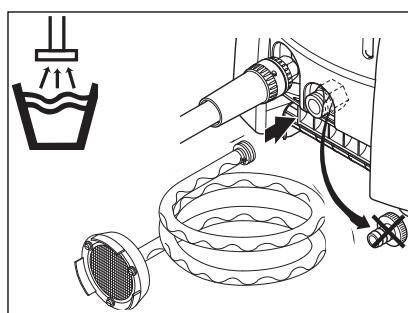


1. Pagrindinis jungiklis. Jungiklį pasukite į padėtį „I“.
2. Atblokuokite purškimo pistoletą ir dirbkite.
3. Purškimo pistoletą užblokuokite net ir trumpoms pauzėms.

#### ATSARGIAI

- Keletą kartų įjunkite purškimo pistoletą, kad iš sistemos išeitų oras.

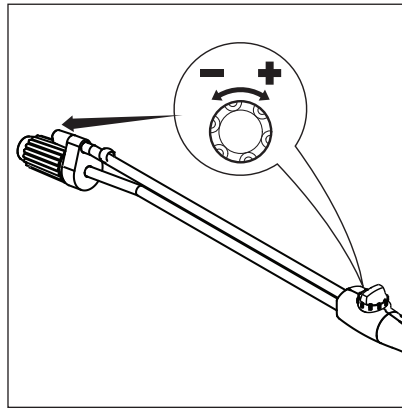
### Plovimo įrenginio įjungimas, kai vanduo tiekiamas iš atvirų rezervuarų (įsiurbimo režimas)



1. Prieš prijungdami įsiurbimo žarną prie įrenginio ją užpildykite vandeniu.
2. Pagrindinis jungiklis. Jungiklį pasukite į padėtį „I“.
3. Atblokuokite purškimo pistoletą ir dirbkite.

Maksimalus įsiurbimo aukštis (tipiška reikšmė) = 1 m.

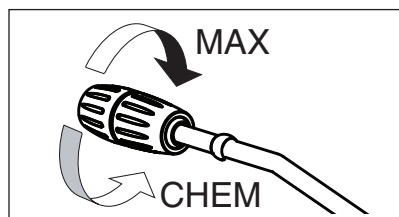
### Slėgio reguliavimas Powerspeed Vario Plus lancetas



Pasukite pasukamą purškimo bloko rankenėlę:

- Aukštas slėgis= pagal laikrodžio rodyklę (+)
- Žemas slėgis = prieš laikrodžio rodyklę (-)

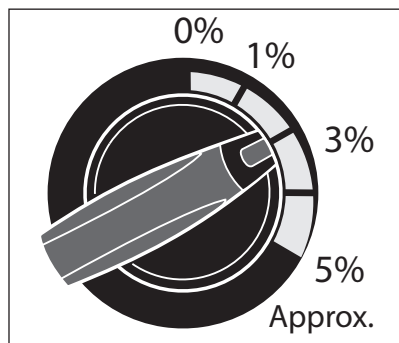
### Slėgio reguliavimas naudojant FlexoPower Plus purkštuką



Pasukite „FlexoPower Plus“ purkštuko gaubtelį:

- aukštas slėgis = MAKS.
- Žemas slėgis = MIN. (CHEM)

### Plovimo priemonių naudojimas



Plovimo priemonės įsiurbiamos pro standartinį sumontuotą purkštuką tik kai įrenginys veikia

žemo slėgio režimu:

1. Plovimo priemonę atskieskite pagal gamintojo nurodymus.
2. Nustatykite slėgio reguliatorių mažam slėgiui.
3. Įsiurbiamos valymo medžiagos kiekis reguliuojamas dozavimo vožtuvu.
4. Pagrindinis jungiklis. Jungiklį pasukite į padėtį „I“.
5. Naudokitės purškimo pistoletu.

#### ATSARGIAI

Niekada neleiskite, kad plovimo priemonės išdžiūtų ant plaunamo paviršiaus. Taip galite jį sugadinti.

## 5 Paskirtis ir naudojimo būdai

### Naudojimo būdai

Plovimo aukšto slėgio vandens srove efektyvumą pasieksite darniai vadovaudamiesi keletu nurodymų bei asmenine savo patirtimi atliekant tam tikras plovimo užduotis. Teisingai pasirinkę priedus ir plovimo / dezinfekavimo priemones galite dar efektyviau naudotis slėginiu plovimo įrenginiu. Pateikiame pagrindinę informaciją apie plovimą.

### Atmirkymas

Susigulėjusius arba storus purvo sluoksnius galima atpalaiduoti arba suminkštinti taikant atmirkymo laikotarpį. Šis metodas idealiai tinka žemės ūkyje, pavyzdžiui, kiaulių fermose. Idealus atmirkymo būdas pasiekiamas naudojant putas arba paprastas šarmines plovimo priemones. Prieš plaudami aukšto slėgio vandens srove ant purvinių paviršių užpilkite produkto ir palaukite maždaug 30 minučių. Tokiu būdu plovimo aukšto slėgio vandens srove tikslą pasieksite daug greičiau.

### Plovimo / dezinfekavimo priemonės ir putas

Putas arba plovimo / dezinfekavimo priemonės ant sauso aviršiaus reikia užpurkšti taip, kad cheminės medžiagos patektų tiesiai ant purvo. Plovimo priemone turi būti dengiama iš apačios į viršų, pavyzdžiui, plaunant automobilio kėbulą, kad nesusidarytų „ypač švarių“ zonų, ant kurių plovimo priemonė susikaupę didesne koncentracija ir tekėtų žemyn. Prieš nuplaudami plovimo priemonę leiskite jai veikti kelias minutes, tačiau niekada nelaukite, kol ji išdžiūs ant plaunamo paviršiaus.

### Temperatūra

Plovimo / dezinfekavimo priemonės daug efektyviau veikia esant aukštesnei temperatūrai. Be to, aukštesnėje temperatūroje daug lengviau nuplaunami tepalai, alyvos ir riebalai. Baltymai plaunami esant maždaug 60°C temperatūrai, alyvos ir nuo transporto kelių susidariusi plėvelė – maždaug 70°C, o tepalai – esant 80°C - 90°C temperatūrai.

### Mechaninis poveikis

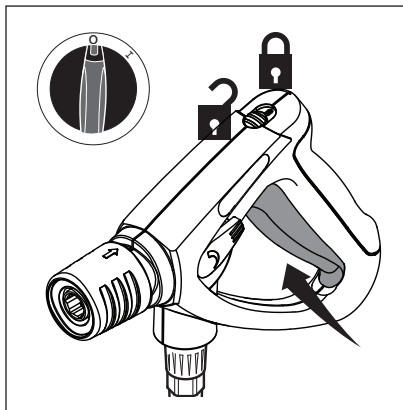
Norint pašalinti tvirtus purvo sluoksnius galbūt reikės papildomai naudoti mechanines plovimo priemones. Tokį papildomą poveikį, kurio dėka prasiskverbiama pro purvą, užtikrina specialūs lancetai ir besisukantys arba plovimo šepetėliai.

### Aukšto slėgio vandens srovė arba tiesiog aukštas slėgis

Aukštas slėgis ne visada yra pats geriausias sprendimas. Be to, aukštas slėgis gali sugadinti paviršius. Plovimo efektyvumas taip pat priklauso ir nuo vandens srovės. Plaunant transporto priemones (naudojant karštą vandenį) turėtų užtekti 100 barų slėgio. Didesne vandens srove lengvai galite nuplauti ir pašalinti dideles purvo sankaupas.

## 6 Po valymo įrenginio naudojimo

### Valymo įrenginio išjungimas



1. Jungiklį pasukite į padėtį IŠJUNGTA (OFF).
2. Užsukite vandens čiaupą.
3. Nuspauskite purkštuvą rankeną, kol valiklio slėgis nukris.
4. Užfiksuokite saugumo sklendę ant purkštuvo.

### Elektros laidų suvyniojimas ir priedų laikymas

1. Suvyniokite laidą.
2. Suvyniokite aukšto slėgio žarną.
3. Purkštuvą antgalį padėkite į purkštuvą antgalio laikymo vietą.

#### ATSARGIAI

Apvartimo pavojus. Norėdami išvengti nelaimių, visuomet kruopščiai suvyniokite elektros laidą ir žarną.

### Sandėliavimas

Įrenginį laikykite sausoje vietoje plusinėje temperatūroje.

### Plovimo įrenginio laikymas (žemesnėje kaip 0°C temperatūroje)

Jeigu aukšto slėgio plovimo įrenginys laikomas patalpoje, kurioje temperatūra yra arti arba žemiau 0°C, į siurbį iš anksto reikia įpilti neužšalancio skysčio:

1. Nuo plovimo įrenginio atjunkite vandens ėmiklio žarną.
2. Nuimkite purškimo lancetą.
3. Pagrindinį jungiklį pasukdami į padėtį „I“ įjunkite plovimo įrenginį ir nuspauskite plovimo pistoleto gaiduką.
4. Prijunkite trumpą siurbimo žarną prie valymo įrenginio vandens paėmimo, o kitą galą įkiškite į baką, kuriame yra antifrizas.
5. Pagrindinį jungiklį pasukdami į padėtį „I“ įjunkite plovimo įrenginį.
6. Laikydami purškimo pistoletą virš indo su neužšalanciu skysčiu ir nuspausdami jo gaiduką pradėkite įsiurbimo procesą.
7. Įsiurbdami neužšalantį skystį, du arba tris kartus nuspauskite purškimo pistoleto gaiduką.
8. Iš indo su neužšalanciu skysčiu ištraukite įsiurbimo žarną ir nuspausdami purškimo pistoleto gaiduką išpumpuokite likusį skystį.
9. Plovimo įrenginio išjungimas.

#### ATSARGIAI

- Kad nekiltų jokių pavojų, prieš naudodamiesi plovimo įrenginiu po saugojimo, palaikykite jį šildomoje patalpoje.
- Niekada neįjunkite užšalusio įrenginio.

# 7 Gedimų lokalizavimas ir šalinimas

Gedimas	Priežastis	Pašalinimo priemonė
Slėgio sumažėjimas	<ul style="list-style-type: none"> <li>Oras sistemoje</li> <li>Užsikimšo arba išdilo aukšto slėgio purkštukas</li> <li>Tuščias plovimo / dezinfekavimo priemonių bakelis</li> </ul>	<ul style="list-style-type: none"> <li>Kelis kartus trumpam nuspausdami purškimo pistoleto gaiduką iš sistemos išleiskite orą. Jei reikia, įrenginį trumpam įjunkite neprijungę aukšto slėgio žarnos.</li> <li>Išvalykite / pakeiskite aukšto slėgio purkštuką</li> <li>Pripilkite plovimo / dezinfekavimo priemonių bakelį arba plovimo /dezinfekavimo dozavimo reguliatorių nustatykite į padėtį „0“.</li> </ul>
Slėgio svyravimai	<ul style="list-style-type: none"> <li>Siurblys įsiurbia orą (tai įmanoma tik įsiurbimo režime)</li> <li>Vandens stoka</li> <li>Pernelyg ilga arba per mažo skersmens įsiurbimo žarna</li> <li>Vandens stoka dėl užsikimšusio vandens filtro</li> <li>Vandens stoka dėl to, kad nepaisoma didžiausio leidžiamo įsiurbimo aukščio</li> </ul>	<ul style="list-style-type: none"> <li>Patikrinkite, ar sandarus įsiurbimo mechanizmas</li> <li>Atsukite vandens čiaupą</li> <li>Naudokite nurodytą vandens ėmiklio žarną</li> <li>Išplaukite vandens prijungimo vietoje sumontuotą vandens filtrą (niekada nedirbkite be vandens filtro)</li> <li>Skaitykite instrukcijas</li> </ul>
Įjungus plovimo įrenginį neveikia variklis	<ul style="list-style-type: none"> <li>Blogai įjungtas kištukas į elektros lizdą, t.y. nėra elektros srovės</li> <li>Išjungtas automatinis elektros tiekimo sistemos saugiklis</li> </ul>	<ul style="list-style-type: none"> <li>Patikrinkite kištuką, elektros laidą jungiklį. Jei reikia, juos turi pakeisti kvalifikuotas elektrikas</li> <li>Įjunkite automatinį elektros tiekimo sistemos saugiklį</li> </ul>
Įjungus plovimo įrenginį variklis užžia, tačiau neveikia	<ul style="list-style-type: none"> <li>Pernelyg žema elektros tinklo įtampa arba nėra kurios nors fazės.</li> <li>Užsikimšo arba užšalo siurblys</li> <li>Neteisingai parinktas ilgintuvo laido skerspjūvis arba ilgis</li> </ul>	<ul style="list-style-type: none"> <li>Elektros tiekimo sistemą turi patikrinti kvalifikuotas elektrikas</li> <li>Kreipkitės į „GRACO“ vartotojų aptarnavimo skyrių</li> <li>Naudokite tinkamo skerspjūvio ir ilgio ilgintuvo laidą</li> </ul>
Savaiminis variklio išsijungimas	<ul style="list-style-type: none"> <li>Dėl perkaitimo arba variklio perkrovimo įsijungia apsauga nuo perkrovų</li> </ul>	<ul style="list-style-type: none"> <li>Patikrinkite, ar atitinka elektros tinklo ir plovimo įrenginio įtampa. Išjunkite plovimo įrenginį ir leiskite jam atvėsti bent 3 minutes.</li> </ul>
Neįsiurbiamos plovimo / dezinfekavimo priemonės	<ul style="list-style-type: none"> <li>Užterštas aukšto slėgio purkštukas</li> <li>Užterštas purkštukas arba užsiblokavo įsiurbimo žarna</li> <li>Tuščias plovimo / dezinfekavimo priemonių bakelis</li> <li>„FlexoPowerJet“ purkštuko gaubtulis nenustatytas į žemo slėgio padėtį</li> </ul>	<ul style="list-style-type: none"> <li>Pakeiskite aukšto slėgio purkštuką</li> <li>Išvalykite</li> <li>Pripilkite plovimo / dezinfekavimo priemonių bakelį</li> <li>Skaitykite 4 skyriuje</li> </ul>

## 8 Papildoma informacija

### Transportavimas

Siekiant saugiai pervežti įrenginį automobilyje arba ant jo, mes rekomenduojame jį pritvirtinti diržais, kad įrenginys neslystų ir nepakryptų.

Transportavimas (pakreipiant):

- nepakreipkite įrenginio į priekį, kai prie jo prijungtos vandens tiekimo linijos,
- nuo plovimo / dezinfekavimo priemonių bakelio atjunkite įsiurbimo žarną ir bakelį uždenkite kartu su įrenginiu komplektuojamu dangteliu,
- prieš pradėdami eksploatuoti įrenginį: nepamirškite palaukti, kol siurblio alyva sutekės į siurblio korpusą. Patikrinkite alyvos lygį ir, jei reikia, pripildykite iki normos.

Prieš transportuojant, esant artimai arba žemesnei kaip 0 °C temperatūrai, į siurblį reikia pripilti neužšalancio skysčio (skaitykite 5 skyriuje).

### Remontas ir techninė priežiūra

Prieš atlikdami įrenginio techninę priežiūrą, būtinai ištraukite kištuką iš elektros tinklo lizdo.

### Siurblys

Prieš utilizuodami siurblį, padarykite, kad jo nebegalima būtų įjungti:

1. Ištraukite kištuką
2. Perpjaukite tinklo prijungimo kabelį
3. Neišmeskite elektrinio įrenginio į buitines atliekas.



Pagal Europos direktyvą 2002/96/ EG dėl panaudotų elektrinių ir elektroninių įrenginių ir prietaisų, privaloma panaudotus elektrinius įrenginius rinkti atskirai ir ekologiškai utilizuoti.

### Garantija

Mūsų bendrosios verslo sąlygos taikomos atsižvelgiant į garantiją. Dėl techninių patobulinimų galimi pakeitimai.

Garantija nebegalioja, jei įrenginys naudojamas ne pagal šias instrukcijas ar ne pagal paskirtį. Garantija negalioja, jei įrenginys neprižiūrimas taip, kaip tai aprašyta.



## ES atitikties deklaracija



# EC-DECLARATION OF CONFORMITY

EG-VERKLARING VAN OVEREENSTEMMING, DÉCLARATION DE CONFORMITÉ CE, EG-KONFORMITÄTSEKTLÄRUNG, DICHIARAZIONE DI CONFORMITÀ CE, EF-OVERENSSTEMMELSESERKLÆRING, ΕΚ-ΔΗΛΩΣΗ ΣΥΜΜΟΡΦΩΣΗΣ, DECLARAÇÃO DE CONFORMIDADE - CE, DECLARACIÓN DE CONFORMIDAD DE LA CE, EY-VAATIMUSTENMUKAISUUSVAKUUTUS, EG-DEKLARATION OM ÖVERENSSTÄMMELSE, ES PROHLÁŠENÍ O SHODĚ, EÜ VASTAVUSDEKLARATSIOON, EC MEGFEJELŐSÉGI NYILATKOZAT, EK ATBILSTĪBAS DEKLARĀCIJA, ES ATITIKTIES DEKLARACIJA, DEKLARACJA ZGODNOŚCI UE, DIKJARAZZJONI-KE TA' KONFORMITA', IZJAVA ES O SKLADNOSTI, ES - VYHLÁŠENIE O ZHODE, EO-ДЕКЛАРАЦИЯ ЗА СЪВМЕСТИМОСТ, DEIMHNIÚ COMHRÉIREACHTA CE, CE-DECLARAȚIE DE CONFORMITATE

## Model

AquaMax 2330E, 2335E

Modèle, Modell, Modello, Μοντέλο,  
Modelo, Malli, Mudel, Modelis, Mudell, Модел, Samhail

## Part

287428, 287429

Bestelnr., Type, Teil, Codice, Del, Μέρος, Peça,  
Referencia, Osa, Součást, Részegység, Daja, Dalis,  
Część, Taqsimā, Část, Част, Part, Parte

## Complies With The EC Directives:

Volddet aan de EG-richtlijnen, Conforme aux directives CE, Entspricht den EG-Richtlinien, Conforme alle direttive CE, Overholder EF-direktiverne, Σύμφωνα με τις Οδηγίες της ΕΚ, Em conformidade com as Directivas CE, Cumple las directivas de la CE, Täyttää EY-direktiivien vaatimukset, Uppfyller EG-direktiven, Shoda se směrnicemi ES, Vastab EÜ direktiividele, Kielegítii az EK irányelvek követelményeit, Atbilst EK direktīvām, Atitinka šias ES direktyvas, Zgodność z Dyrektywami UE, Konformi mad-Direttivi tal-KE, V skladu z direktivami ES, Je v súlade so smernicami ES, Съвместимост с Директиви на ЕО, Tá ag teacht le Treoracha an CE, Respectă directivele CE

2006/42/EC Machine Directive

2006/95/EC Low Voltage Directive

2004/108/EC EMC Directive

## Standards Used:

Gebruikte maatstaven, Normes respectées, Verwendete Normen, Norme applicate, Anvendte standarder, Πρότυπα που χρησιμοποιήθηκαν, Normas utilizadas, Normas aplicadas, Sovellettavat standardit, Tillämpade standarder, Použité normy, Rakendatud standardid, Alkalmazott szabványok, Izmantotie standarti, Taikyti standartai, Užyte normy, Standards Uzati, Uporabljeni standardi, Použité normy, Използвани стандарти, Caidheáin arna n-úsáid, Standarde utilizate

EN 12100, EN 60335-2-79, EN 55014-1, EN 55014-2, EN 61000-3-2, DIN EN 60335-2-79

## Notified Body for Directive

Aangemelde instantie voor richtlijn, Organisme notifié pour la directive, Benannte Stelle für diese Richtlinie, Ente certificatore della direttiva, Bemyndiget organ for direktiv, Διακοινωμένο όργανο Οδηγίας, Organismo notificado relativamente à directiva, Organismo notificado de la directiva, Direktiivien mukaisesti ilmoitettu tarkastuslaitos, Anmält organ för direktivet, Úředně oznámený orgán pro směrnici, Teavitatud asutus (direktiivi järgi), Az irányelvvvel kapcsolatban értesített testület, Pilnvarotā iestāde saskaņā ar direktīvu, Apie direktīvu Informuota institūcija, Ciało powiadomione dla Dyrektywy, Korp avzat bid-Direttiva, Priglašeni organ za direktivo, Notifikovaný orgán pre smernicu, Нотифициран орган за Директива, Comhlacht ar tugadh fógra dó, Organism notificat în conformitate cu directiva

--	--	--	--

## Approved By:

Goedgekeurd door, Approuvé par, Genehmigt von, Approvato da, Godkendt af, Έγκριση από, Aprobado por, Aprobado por, Hyväksynyt, Intygas av, Schwäilit, Kinnitanud, Jóváhagyta, Apstiprināts, Patvirtino, Zatwierdzone przez, Approvat minn, Odobril, Schválené, Одобрено от, Фаола аг, Aprobat de

Hans van Cranenbroek

Manufacturing, Engineering and Warehousing Manager

10 JANUARY 2011

### Manufactured By:

GRACO INC.  
88 - 11<sup>th</sup> Avenue N.E.  
Minneapolis, MN 55413  
USA


















### Authorized Representative:

GRACO N.V.  
Slakweidestraat 31  
3630 Maasmechelen  
BELGIUM

199382

A

## Techniniai duomenys

		AquaMax 2330E	AquaMax 2335E
	V/Ph/Hz	230/1/50	400/3/50
	A	16	10
	kW	3.3	4.2
<b>I</b>	A	15	7.6
		IP X5	IP X5
	bar/MPa	160/16	160/16
	bar/MPa	200/20	200/20
	l/h	560	700
	l/h	620	760
<b>Cleaning Impact</b>	kg/Force	3.0	3.6
		0350	0475
	°C	50	50
	bar / MPa	10/1	10/1
	mm	450 x 380 x 1040	450 x 380 x 1040
	kg	40.4	40.4
 <b>EN 60704-1</b>	dB(A)	74.6	75
 <b>L<sub>WA</sub></b>	dB(A)	87.9	90
<b>Vibration ISO 5349</b>	m/s <sup>2</sup>	< 2.5	< 2.5
<b>Recoil forces</b>	N	28	35
	l	0.225	0.225
		Agip Rotra 80W-90	

## „Graco“ standartinė garantija

Graco“ garantuoja, kad visa šiame dokumente minima áranga, kurià pagamino „Graco“ ir kuri pavadinta „Graco“, pardavimo pradiniam pirkėjui eksploatuoti dieną neturi jokiø medþiagø ir darbo defektø. Iðskyrus bet kokias specialiasias, iðplèstines ar ribotas garantijas, kurias paskelbè „Graco“, dvylika mëniesø nuo pardavimo datos „Graco“ sutaisys arba pakeis bet kokià árangos dalá, „Graco“ nustaèius, kad ji buvo sugedusi. Ði garantija galioja tik tada, kai áranga montuojama, eksploatuojama ir priþiûrta laikantis raðytiniø „Graco“ rekomendacijø.

„Graco“ nesiima jokios atsakomybës uþ bendràjà susidëvëjimà ar bet koká prastà veikimà, paþeidimà ar nusidëvëjimà, atsiradusá dël netinkamo montavimo ar naudojimo, subraiþymo, korozijos, netinkamos ar nepakankamos prieþiûros, aplaidumo, nelaimingo atsitikimo, klastojimo ar keitimo ne „Graco“ pagamintomis dalimis, ir tokia atveju Ði garantija netaikoma. „Graco“ neatsako uþ prastà veikimà, paþeidimà ar nusidëvëjimà, atsiradusá dël „Graco“ árangos netinkamumo konstrukcijoms, priedams, árangai ar medþiagai, kurios „Graco“ netiekia, ar dël netinkamo dizaino, pagaminimo, montavimo, eksploatavimo ar prieþiûros tø konstrukcijø, priedø, árangos ar medþiagos, kurios „Graco“ netiekia.

Ði garantija teikiama su sąlyga, kad sugedusi áranga bus graþinta ágaliotajam „Graco“ platintojui (siuntimas ið anksto apmokëtas), kad bûtø patikrintas nurodytas defektas. Jeigu bus nustatyta, kad áranga tikrai sugedusi, „Graco“ nemokamai pataisys arba pakeis bet kokias sugedusias dalis. Áranga bus graþinta pradiniam pirkėjui ið anksto apmokëtu transportu. Jeigu patikrinus árangà nebus rasta jokiø medþiagø ar pagaminimo defektø, áranga bus sutaisyta uþ atitinkamà mokestá, kuris gali apimti daliø, darbo ir transportavimo iðlaidas.

ÐI GARANTIJA YRA IÐIMTINË IR PAKEIËIA BET KOKIAS KITAS TIEK AIÐKIAI IÐREIKÐTAS, TIEK NUMANOMAS GARANTIJAS, ÁSKAITANT, BE KITA KO, GARANTIJÀ DËL GALIMYBËS PARDUOTI AR TINKAMUMO TAM TIKRIEMS TIKSLAMS.

Vienintelis „Graco“ ásipareigojimas ir vienintelè pirkëjo teisiø gynimo priemonè garantijos paþeidimo atveju yra numatyta pirmiau. Pirkëjas sutinka, kad nebus prieinamos jokios kitos jo teisiø gynimo priemonës (áskaitant, be kita ko, atsitiktinius ar logiðkai iðplaukianëius nuostolius dël prarasto pelno, neávykusio pardavimo, asmens supalojimo ar turto sugadinimo ar bet kokius kitus atsitiktiniai arba logiðkai iðplaukianëius nuostolius). Bet koks ieðkinys dël garantijos sąlygø paþeidimo gali bûti iðkeltas per dvejus (2) metus nuo pardavimo datos.

„GRACO“ NETEIKIA GARANTIJOS IR NEPRIPAÐÁSTA JOKIØ NUMANOMØ GARANTIJØ DËL GALIMYBËS PARDUOTI AR TINKAMUMO TAM TIKRIEMS TIKSLAMS, KAI TAI SUSIJÆ SU PRIEDAIS, ÁRANGA, MEDÞIAGA AR DALIMIS, KURIAS „GRACO“ PARDAVË, BET JØ NEPAGAMINO. Ðioms „Graco“ parduodamoms, bet ne jos gaminamoms, prekëms (tokioms kaip elektros varikliai, perjungikliai, þarnos ir pan.) garantijà teikia (jeigu teikia) jø gamintojai. „Graco“ teiks pirkėjui deramà pagalbà pateikiant pretenzijas dël Ðiø garantijø paþeidimo.

„Graco“ jokiomis aplinkybëmis neatsako uþ netiesioginius, atsitiktinius, specialiuosius ar logiðkai iðplaukianëius nuostolius, susijusius su Ðiuo „Graco“ árenginiu ar bet kuriais gaminiais ar kitomis prekëmis, kiek tai susijæ su sutarties ar garantijos paþeidimu, „Graco“ aplaidumu, ar kitomis aplinkybëmis.

**Graco reserves the right to make changes at any time without notice.  
Originaliø instrukcijø vertimas. This manual contains Lithuanian. MM 3A1490**

**Graco Headquarters: Minneapolis  
International Offices: Belgium, China, Japan, Korea  
GRACO INC. P.O. BOX 1441 MINNEAPOLIS, MN 55440-1441  
www.graco.com**

# 目次

<b>1</b>	<b>安全にお使いいただくために.....</b>	<b>359</b>
	本書で使用しているマークについて.....	359
	警告 359	
<b>2</b>	<b>概要.....</b>	<b>361</b>
	操作エレメント.....	361
	使用方法.....	362
	使用目的.....	362
	その他のサポート.....	362
	ご使用の前に.....	362
<b>3</b>	<b>本製品をお使いいただく前に.....</b>	<b>363</b>
	洗浄機のセットアップ.....	363
	高圧ホースの接続.....	363
	BAバルブ.....	364
	水供給の接続.....	365
	電源接続.....	365
	延長ケーブル.....	365
<b>4</b>	<b>制御/操作.....</b>	<b>366</b>
	噴霧ランスの噴霧ガンへの接続.....	366
	水供給への接続時に、洗浄機をオンにする.....	366
	オープンタンクに接続時（吸引モード）に、洗浄機をオンにする.....	366
	圧力調整 (Powerspeed Vario Plus).....	367
	FlexoPower Plus ノズルでの圧力調整.....	367
	洗剤の使用.....	367
<b>5</b>	<b>用途と方法.....</b>	<b>368</b>
	テクニック.....	368
	ソーキング.....	368
	洗剤と泡.....	368
	温度.....	368
	機械的効果.....	368
	高水流または高圧.....	368
<b>6</b>	<b>お使いいただいた後に.....</b>	<b>369</b>
	洗浄機のスイッチをオフにする.....	369
	電気コードの巻き取りとアクセサリの保管.....	369
	保管.....	369
	洗浄機の保管 (0°C 以下).....	369
<b>7</b>	<b>トラブルシューティング.....</b>	<b>370</b>
<b>8</b>	<b>その他の情報.....</b>	<b>371</b>
	輸送.....	371
	修理とメンテナンス.....	371
	洗浄器のリサイクル.....	371
	保証.....	371
	EU 適合宣言.....	372
	技術データ.....	373
	Graco Standard Warranty.....	374

# 1 安全にお使いいただくために

本書で使用しているマークについて

## 危険

重傷、および回復不可能なケガないし死亡事故に直接つながる危険。

## 警告

重大な怪我もしくは死に至る可能性がある危険。

## 注意

軽微な怪我および損傷に至る可能性がある危険。

警告

## 警告

- 安全性について疑問が生じる使用は、一切行わないでください。
- 機械式、電気式および温度式安全装置に変更を加えないでください。
- 監督の下、または指示を受けた場合以外、子供や運動能力、身体能力、感覚能力または知力の低下した方、もしくは経験や知識の不足している方は本機器を使用しないでください。
- この機械には、GRACO が供給または推奨する洗剤のみを使用してください。
- それ以外の洗剤を使用すると、機械の安全性に悪影響が及ぶ場合があります。



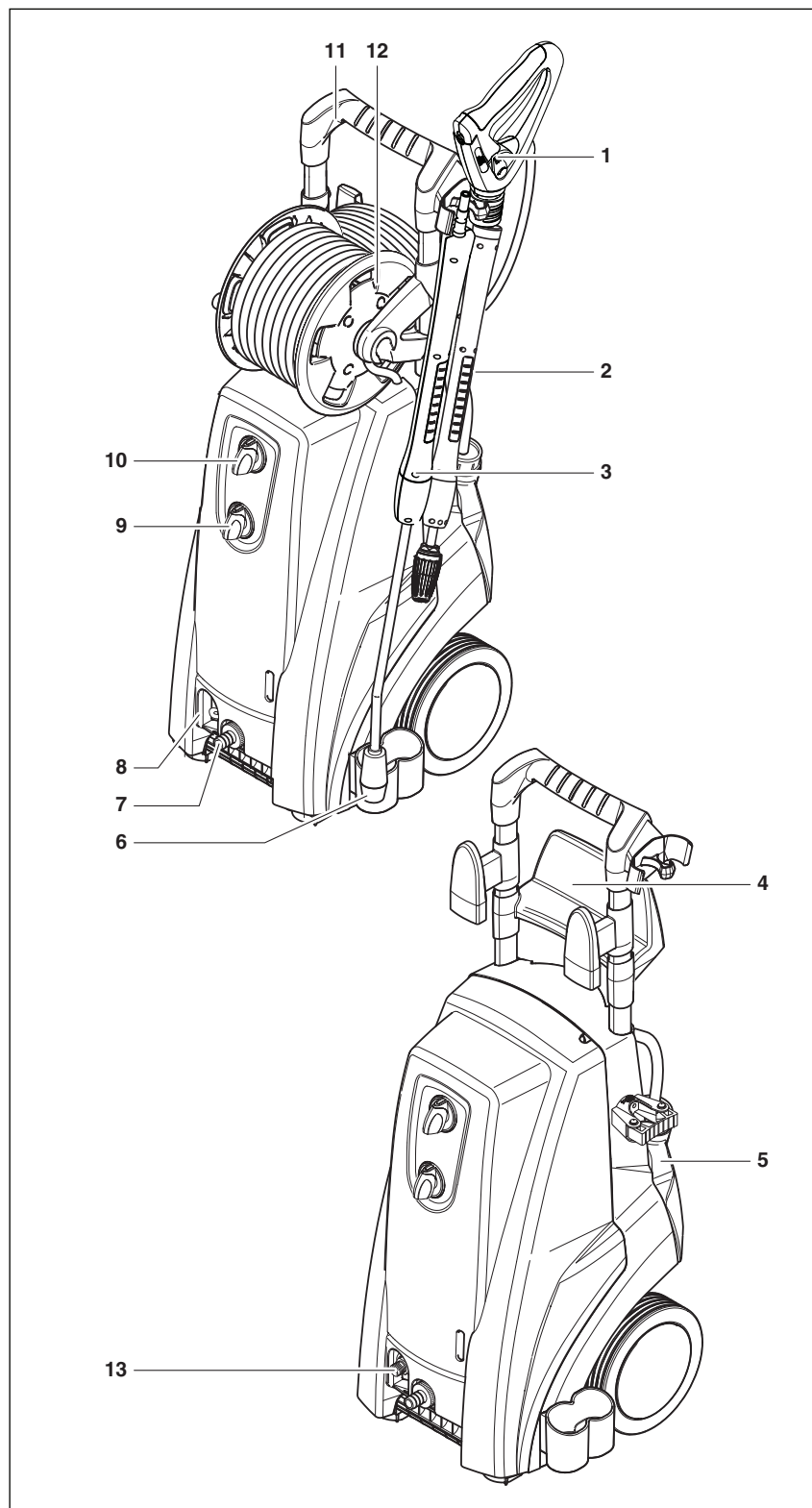
### 注意

- 高圧ジェットの使用は危険です。人、ペット、稼働中の電気機器または機械そのものに水ジェットを向けないでください。
- 自分または他の人の衣服または履物を洗淨しないでください。
- オペレーターおよび洗淨現場の近くにいる人は、操作中に除去された破片が当たらないように自分の身を守る必要があります。操作中はゴーグルを着用してください。
- 操作中に機械を覆わないでください。
- 爆発の危険があるような環境でこの機械を使用しないでください。その疑いがある場合は、現地当局に問い合わせてください。
- アスベスト含有表面を高圧洗淨してはなりません。
- この高圧洗淨器は 0°C 以下で使用できません。
- 必ず指定された正しい燃料を使用してください。誤った燃料を使用すると、重大な危険が発生する可能性があります。
- 洗淨機の操作中には、噴霧装置で反跳力が生まれ、ガンバルブおよび噴霧ランスが交叉状に保持されるとトルクも生成されます。したがってガンバルブおよび噴霧ランスは両手でしっかりと持ってください。
- 洗淨によって危険物質（アスベスト、オイルなど）が洗淨対象物から洗い流されて、環境に悪影響を及ぼすことがないか確認してください。
- ゴム、繊維などでできているデリケートなパーツは、0° ジェットで洗淨しないでください。表面が損傷しないよう、高圧ノズルと表面はある程度離してください。
- 水を接続せずに洗淨機を操作しないでください。多少の水不足であってもポンプのシーリングに深刻な損傷を与えます。
- 危険な作業方法を用いないでください。
- 噴射ハンドルを引いた状態で固定してはいけません。

## 2 概要

### 操作エレメント

- |                |                          |
|----------------|--------------------------|
| 1. スプレーガン      | 8. ホースリールへの水供給           |
| 2. 電源ケーブル      | 9. 高圧ホース接続部              |
| 3. 噴射管         | 10. メインスイッチ              |
| 4. 電源ケーブル用ホルダー | 11. 手押しハンドル              |
| 5. 洗剤吸入ホース     | 12. ホースドラム <sup>1)</sup> |
| 6. 洗剤量調整器      | 13. 水道接続部と吸入フィルター        |
| 7. 噴射管保管箇所     |                          |



<sup>1)</sup> オプション/モデルのバリエーション  
これは指示説明書原本の和訳です。

## 使用方法



初めて本機器を使用する前に、必ず本文書をよく読んでいつでも参照できるように保管してください。

装置の使用の際には、それぞれの国において有効な規定に従うことが義務付けられています。取扱い説明と、ユーザーの国でそれぞれ有効な事故防止のための規定以外に、安全性と専門性に準じた作業のための専門技術的な規則を遵守する必要があります。

## 使用目的

この高圧洗浄機は、以下の分野における業務用として開発されています。農業用機器、建設用機器、畜舎、車両、腐食面などの洗浄に使用できます。

この高圧洗浄機は、食品と接触する面の洗浄に使用することが許可されています。

必ず操作説明書の説明に従って、洗浄機を使用してください。操作説明書の説明に従わない場合、洗浄機または洗浄面を損傷したり、人体の深刻な怪我の原因となる可能性があります。

## その他のサポート

その他のお問い合わせについては、お客様の国の GRACO サービス担当者にご連絡ください。

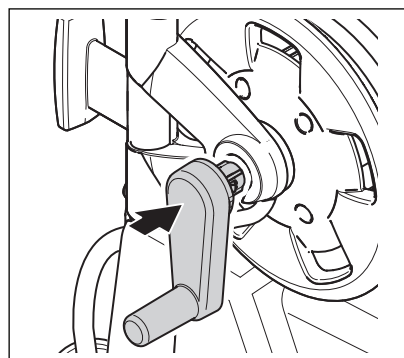
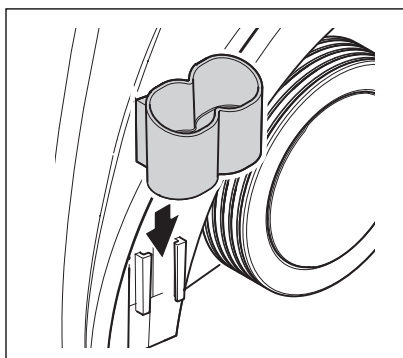
## ご使用前に

機械を始動する前に、不具合がないか入念に確認してください。何らかの不具合があった場合、機械を始動しないで GRACO 販売店に問い合わせてください。



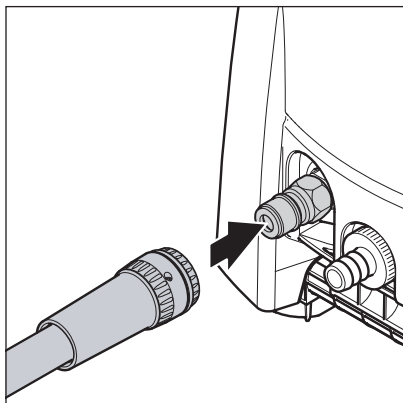
### 3 本製品をお使いいただく前に

#### 洗浄機のセットアップ

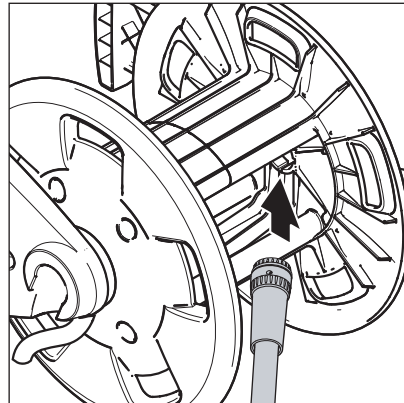


#### 高圧ホースの接続

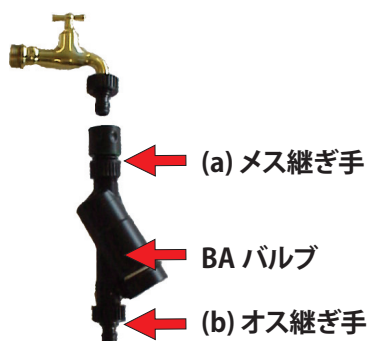
高圧ホースリールなし.



高圧ホースリール付き.



## BAバルブ



適切な逆流防止器 (EN 1717 に基づくタイプ BA) が設置されている場合、この高圧洗浄機は飲料水管にしか接続できません。

BAバルブの注文番号:

- GARDENA継ぎ手を含むBAバルブ: 106411177
- NITO継ぎ手を含むBAバルブ: 106411178
- GEKA継ぎ手を含むBAバルブ: 106411179
- 継ぎ手を含まないBAバルブ: 106411184

継ぎ手の注文番号:

- 3/4" GARDENA (a): 32541
- 3/4" GARDENA (b): 1608629
- 3/4" NITO (a): 1602945
- 3/4" NITO (b): 1600659
- 1/2" NITO (b): 1604669
- 3/4" GEKA (a): 1718
- 3/4" GEKA (b): 1311

## 設置ガイド



1. 水道蛇口にオス継ぎ手をはめます。
2. BAバルブの (a) を蛇口に取付けます。
3. メス継ぎ手を注水ホースにはめます。
4. BAバルブの (b) を注水ホースに取付けます。
5. 注水ホースを高圧ウォッシャーに接続します。
6. 水を出し始めて装置を始動します。

## 注意

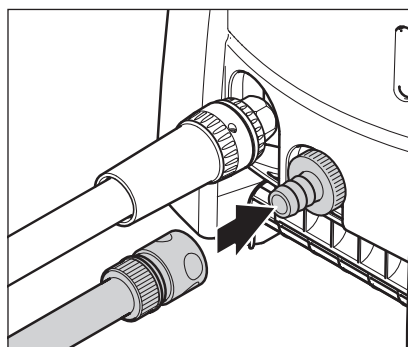
- 逆流防止デバイスは垂直にも水平にも取付けられますが、排水口 (c) は下を向けて取付けてください。
- 排水口 (c) から流れ出す水は自由に流れる状態にしてください。
- 注水内(つまり取水源) に砂混入のリスクがあれば、追加フィルターを蛇口と逆流防止デバイスの間に取付けてください。
- 逆流防止器と高圧洗浄機のためのホースの長さは、考えられる最高圧力を吸収できるよう 12 メートル以上 (最小直径 3/4 インチ) でなければなりません。
- BAバルブを通して流れた水は、飲料水として使用することはできません。
- 逆流防止デバイスに霜が付着しないように保護してください。
- 逆流防止デバイスは清潔で汚れがつかない状態を維持してください。

## お手入れ

1年に1回以上、次の手順により機能を点検してください。

1. 作業後、高圧洗浄機の電源を切ります。
2. 水道蛇口のバルブを閉じます。
3. スプレィピストルを出し切って注水ホース内の圧力を抜きます。
4. 逆流防止デバイスを取外します。飲料水を分離できるように水が排水口 (c) (max. 100ml) から出てこなければなりません。
5. そうでない場合、BAバルブを洗浄するまたは最寄のニルフスク ALTO 代理店までご連絡ください。

## 水供給の接続



1. 砂などの汚れ粒子が洗濯機に入らないように、水供給ホースをざっとすすいでください。
2. アダプターを取り付けた水供給ホースを給水側クイックコネクタに接続します。
3. 水供給用蛇口を開いて下さい。

### 注意

- 水および水圧の必要量は、9.4章「技術データ」をご覧ください。水品質がよくない (砂など) 場合は給水フィルターの取付をおすすめします。
- 水供給ホースは最小内径が3/4" (19 mm) の補強ホースを使用して下さい。

## 電源接続



洗濯機は、必ず正しく設置された電気供給設備に接続しなければいけません。

### 注意

- 機械はアース接続を行った設備にのみ接続してください。
- 電気設備は、必ず資格のある電気技師が行ってください。
- IEC 60364-1 に基づき、この機械への電気供給に残留電流装置を使用することを強く推奨します (GFCI)。
- 電源コードを損傷させないでください (車輪で轆いたり、引っ張ったり押しつぶしたりしないこと)。
- プラグのみをつかんで電源コードを抜いてください (電源コードは引っ張らないでください)。

## 延長ケーブル

延長ケーブルは、メーカーの指定のタイプか、あるいはそれ以上のものだけを使用してください。

ケーブルの最低許容直径に注意してください：

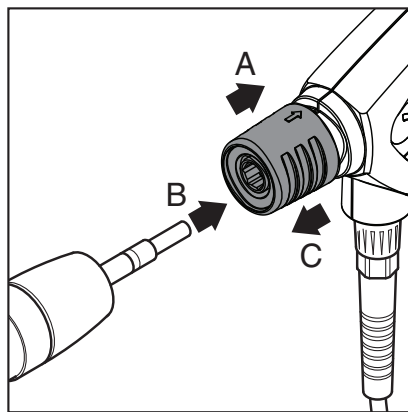
ケーブルの長さ	直径	
	< 16 A	< 25 A
20 m まで	1.5 mm <sup>2</sup>	2.5 mm <sup>2</sup>
20 から 50 m まで	2.5 mm <sup>2</sup>	4.0 mm <sup>2</sup>

### 注意

ケーブル接続は、乾燥させて地面から離れた状態しておく必要があります。

## 4 制御/操作

### 噴霧ランスの噴霧ガンへの接続

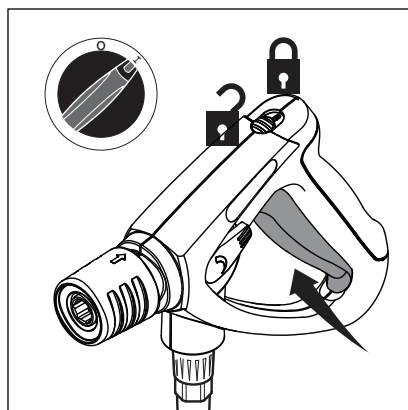


1. 噴霧ガンの青色のクイック解除グリップ (A) を後ろに引きます。
2. 噴霧ランスのニップル (B) をクイック解除接続に挿入して、青色のクイック解除グリップ (A) を放します。
3. 噴霧ランス (またはその他のアクセサリ) を前に引っ張り、噴霧ガンにしっかりと取付けられているかを確認してください。

#### 注意

噴霧ランスを噴霧ガンに接続する前に、必ず水をかけてニップルから汚れを除去してください。

### 水供給への接続時に、洗浄機をオンにする

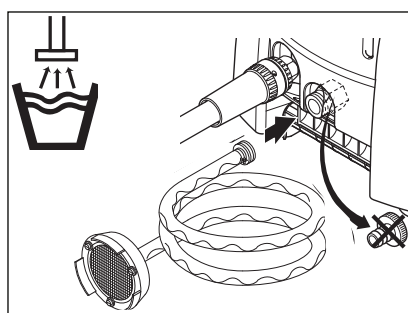


1. メインスイッチスイッチを「I」位置に回します。
2. 噴霧ガンのロックを解除して、操作します。
3. 中断時でも、噴霧ガンはロックしてください。

#### 注意

あまり間をあげずに噴霧ガンを何度か操作してシステムの通気を行ってください。

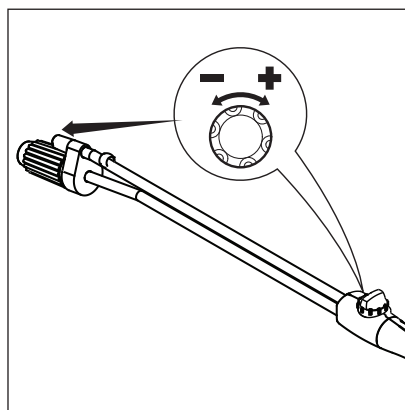
### オープンタンクに接続時 (吸引モード) に、洗浄機をオンにする



1. 吸引ホースを洗浄機に接続する前に、ホースに水を充填します。
2. メインスイッチ スイッチを「I」位置に回します。
3. 噴霧ガンのロックを解除して、操作します。

最大吸引高 (最高) = 1 m。

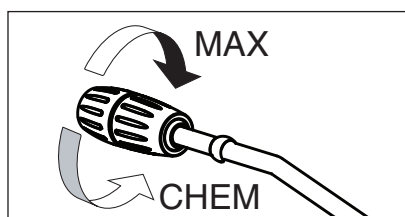
### 圧力調整 (Powerspeed Vario Plus)



噴霧ユニットのツイストグリップを回します:

- 高圧 = 時計回り (+)
- 低圧 = 反時計回り (-)

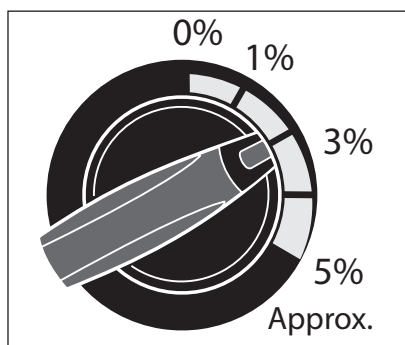
### FlexoPower Plus ノズルでの圧力調整



FlexoPower Plus ノズルのツイストキャップ:

- 高圧 = 最大
- 低圧 = 最低(CHEM)

### 洗剤の使用



備されているインジェクタから吸い込むことができます。

1. 洗剤は、メーカーの指示に従って希釈します。
2. 圧力調整を低圧にセットします。
3. 洗剤の吸引量は、計量バルブを回して調整することができます。
4. メインスイッチ スイッチを「I」位置に回します。
5. 噴霧ガンを操作します。

洗剤は、低圧モードでのみ、標準装

#### 注意

洗浄面の洗剤が乾かないようにしてください。表面が損傷することがあります。

## 5 用途と方法

### テクニック

特定の洗浄タスクにおける自身の経験と、いくつかのガイドラインに従うことによって、効率的な高圧洗浄が可能です。適切なアクセサリと洗剤を選択すれば、圧力洗浄の効率を向上させることができます。洗浄に関する基本的な情報を以下に記します。

### ソーキング

表面を覆う汚れや厚い汚れの層は、一定時間のソーキングによって緩めるまたは軟化することができます。農業（豚舎など）では、理想的な方法です。理想的なソーキング方法は、泡や一般的なアルカリ性洗剤で実施できます。圧力洗浄前の約 30 分間、製品を汚れた表面に塗布します。これによって、高圧洗浄プロセスが短縮されます。

### 洗剤と泡

化学製品が汚れに直接接触するように、泡または洗剤を、乾燥した表面に塗ってください。洗剤が高濃度で集中し流れ落ちてしまう「スーパークリーン」エリアができないように、洗剤を車のボディの上下に塗布します。数分間おいてから、洗剤を流します。ただし、洗浄面で乾燥させないでください。

### 温度

洗剤は温度が高いほど効果が増します。また、高温が高いほどグリース、オイル、油脂を早く分解することができます。たんぱく質は約 60°C の温度で洗浄することができます。オイル、輸送フィルムはおよそ 70°C、グリースは 80~90°C で洗浄できます。

### 機械的効果

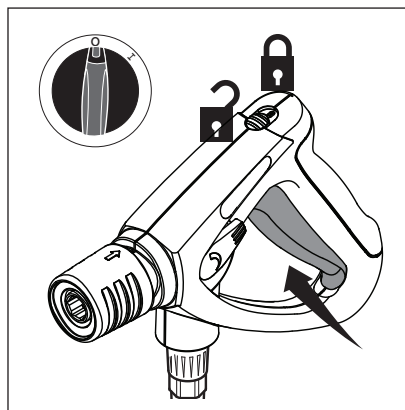
頑固な汚れの層を分解するには、追加の機械的効果が必要な場合があります。特殊ランスおよびロータリーまたは洗浄ブラシによって、このような汚れを落とす補助効果が得られます。

### 高水流または高圧

高圧は必ずしも常に最善のソリューションではなく、高圧によって表面が損傷することもあります。洗浄効果も水流によって異なります。洗車にはおよそ 100 バールの圧力レベルで十分です（温水とともに）。フローレベルが高いほど、大量の汚れを簡単にすすいで洗い流すことができるようになります。

## 6 お使いいただいた後に

### 洗浄機のスイッチをオフにする



1. メインスイッチを「OFF」の位置にまわします。
2. 水供給の蛇口を閉めます。
3. 圧が抜けきるまで噴霧ガンの引き金を引いて下さい。
4. 引き金のロックをロック位置までスライドさせます。

### 電気コードの巻き取りとアクセサリの保管

1. コードを巻取ります。
2. 高圧ホースを巻取ります。
3. 噴霧ランスを噴霧ランスストレージに入れます。

#### 注意

トリップのリスクがあります。事故防止のため、電気コードならびにホースの巻取りは常に注意して行ってください。

### 保管

装置は、乾燥した場所で凍結しないように保管してください。

### 洗浄機の保管 (0°C 以下)

高圧洗浄機を 0°C またはそれ以下の場所に保管する場合、事前に凍結防止剤をポンプに注入してください。

1. 吸水ホースを洗浄機から取り外します。
2. 噴霧ランスを取り外します。
3. メインスイッチを「I」にして洗浄機のスイッチをオンにし、噴霧ガンのトリガを引きます。
4. 短い吸引ホースを洗浄機の注水口に接続し、凍結防止剤を含んだタンク内にホースの他の端を入れます。
5. メインスイッチを「I」にして洗浄機のスイッチをオンにします。
6. 噴霧ガンを凍結防止剤を含んだタンクに接続し、吸引開始の操作を実行します。
7. 吸引中に、噴霧ガンを 2~3 回操作します。
8. 吸引ホースを凍結防止剤を含んだタンクの中から持ち上げてから、噴霧ガンを操作して残りの凍結防止剤を吸い上げます。
9. 洗浄機のスイッチをオフにする

#### 注意

- リスクを回避するため、洗浄機を再度使用する前に一時的に温室に保管してください。
- 凍結した機械を始動しないでください。



## 7 トラブルシューティング

不具合	原因	処置
圧力が低下する	<ul style="list-style-type: none"> <li>システム内のエア</li> <li>高圧ノズルの詰まり、磨耗</li> <li>洗剤タンクが空</li> </ul>	<ul style="list-style-type: none"> <li>あまり間をあけずに噴霧ガンを何度か操作して、システムの通気を行ってください。必要に応じて、高圧ホースを接続した状態でしばらく洗浄機を操作してください。</li> <li>高圧ノズルを洗浄/交換する</li> <li>洗剤タンクに補給するか、洗浄計量を「0」に設定する</li> </ul>
圧力が変動する	<ul style="list-style-type: none"> <li>ポンプに空気が混入している（吸引モードのみ）</li> <li>水の不足</li> <li>吸水ホースが長すぎるか、断面が小さすぎる</li> <li>水フィルターの詰まりによる水の不足</li> <li>最大許容吸引高が考慮されていないための水の不足</li> </ul>	<ul style="list-style-type: none"> <li>吸引セットが気密状態であることを確認する</li> <li>ウォータータップを開く</li> <li>指定された吸水ホースを使用する</li> <li>水接続部の水フィルターを清掃する（水フィルターなしでは絶対に作業しないでください）</li> <li>説明書を確認する</li> </ul>
洗浄機がオンのときにモーターが作動しない	<ul style="list-style-type: none"> <li>プラグがコンセントに入っていない（電流がない）</li> <li>メインヒューズが飛んでいる</li> </ul>	<ul style="list-style-type: none"> <li>プラグ、リード、スイッチをチェックし、必要があれば訓練を受けた電気技師に交換してもらう</li> <li>メインヒューズをオンにする</li> <li>電気接続を確認する</li> </ul>
洗浄機がオンの際にモーターが始動せずに、ブンブンと音がする	<ul style="list-style-type: none"> <li>メイン電圧が低すぎるか位相障害がある</li> <li>ポンプが詰まっているか凍結している</li> <li>延長リードの断面または長さが間違っている</li> </ul>	<ul style="list-style-type: none"> <li>GRACO の顧客サービスにお問い合わせください</li> <li>正しい断面または長さのリードを使用する</li> </ul>
モーターが停止する	<ul style="list-style-type: none"> <li>モーターのオーバーヒートまたは過負荷によって、過負荷保護が作動している</li> </ul>	<ul style="list-style-type: none"> <li>メイン電流および洗浄機電圧が同じであることを確認し、洗浄機をオフにして3分以上冷却させる</li> </ul>
洗剤が吸い込まれない	<ul style="list-style-type: none"> <li>高圧ノズルが汚れている</li> <li>インジェクタが汚れているか吸引ホースが詰まっている</li> <li>洗剤タンクが空</li> <li>FlexoPowerJet ノズルのキャップが低圧にセットされていない</li> </ul>	<ul style="list-style-type: none"> <li>高圧ノズルを交換する</li> <li>洗浄する</li> <li>洗剤タンクを補給する</li> <li>4章を確認する</li> </ul>



## 8 その他の情報

### 輸送

車両での安全な輸送には、機器をベルトで固定して機器が滑ったり傾いたりしないようにしてください。

輸送(傾ける場合)：

- ・ 水接続の前面で洗浄機を傾けないでください。
- ・ 洗剤タンクから吸引ホースを取り外し、洗浄機に付いているキャップでタンクフィルターを閉めてください。
- ・ 洗浄機を運転状態にする前に、ポンプオイルがポンプハウジングに流れようにします。オイルレベルを点検して必要に応じて補給してください。

0°C 前後またはそれ以下の温度での輸送の場合、事前に凍結防止剤をポンプに流し込んでおく必要があります(5章を参照)。

### 修理とメンテナンス

機械のメンテナンス作業を実行する前に、必ずソケットから電気プラグを取り外してください。

### 洗浄器のリサイクル

古い洗浄器は、すぐに使用できない状態にします。

1. 洗浄器のプラグを抜きます。
2. 電源ケーブルを切断します。
3. 電気機器は家庭ゴミと一緒に廃棄しないでください。



古い電化・電気機器に関する欧州指令 2002/96/EC に示されているように、使用済み電気製品は分別収集して環境に配慮してリサイクルする必要があります。詳細な情報については、現地当局または最寄のディーラーにお問い合わせください。

### 保証

当社の一般取引条件は、本保証に適用されます。技術の進展によって変更される可能性があります。

取扱説明書に従った操作をしなかったり誤った使い方をした場合、保証は無効になります。機器が記載のサービスを受けない場合、保証は無効になります。

## EU 適合宣言



# EC-DECLARATION OF CONFORMITY

EG-VERKLARING VAN OVEREENSTEMMING, DÉCLARATION DE CONFORMITÉ CE, EG-KONFORMITÄTSEKTLÄRUNG, DICHIARAZIONE DI CONFORMITÀ CE, EF-OVERENSSTEMMELSESEKTLÆRING, ΕΚ-ΔΗΛΩΣΗ ΣΥΜΜΟΡΦΩΣΗΣ, DECLARAÇÃO DE CONFORMIDADE - CE, DECLARACIÓN DE CONFORMIDAD DE LA CE, EY-VAATIMUSTENMUKAISUUSVAKUUTUS, EG-DEKLARATION OM ÖVERENSSTÄMMELSE, ES PROHLÁŠENÍ O SHODĚ, EÜ VASTAVUSDEKLARATSIOON, EC MEGFEJELŐSÉGI NYILATKOZAT, EK ATBILSTĪBAS DEKLARĀCIJA, ES ATITIKTIES DEKLARACIJA, DEKLARACJA ZGODNOŚCI UE, DIKJARAZZJONI-KE TA' KONFORMITA', IZJAVA ES O SKLADNOSTI, ES - VYHLÁŠENIE O ZHODE, EO-ДЕКЛАРАЦИЯ ЗА СЪВМЕСТИМОСТ, DEIMHNIÚ COMHRÉIREACHTA CE, CE-DECLARAȚIE DE CONFORMITATE

## Model

AquaMax 2330E, 2335E

Modèle, Modell, Modello, Μοντέλο,  
Modelo, Malli, Mudel, Modelis, Mudell, Модел, Samhail

## Part

287428, 287429

Bestelnr., Type, Teil, Codice, Del, Μέρος, Peça,  
Referencia, Osa, Součást, Részegység, Daja, Dalis,  
Część, Taqsim, Čast, Част, Part, Parte

## Complies With The EC Directives:

Volddet aan de EG-richtlijnen, Conforme aux directives CE, Entspricht den EG-Richtlinien, Conforme alle direttive CE, Overholder EF-direktiverne, Σύμφωνα με τις Οδηγίες της ΕΚ, Em conformidade com as Directivas CE, Cumple las directivas de la CE, Täyttää EY-direktiivien vaatimukset, Uppfyller EG-direktiven, Shoda se směrnicemi ES, Vastab EÜ direktiividele, Kielegítii az EK irányelvek követelményeit, Atbilst EK direktīvām, Atitinka šias ES direktyvas, Zgodność z Dyrektywami UE, Konformi mad-Direttivi tal-KE, V skladu z direktivami ES, Je v súlade so smernicami ES, Съвместимост с Директиви на ЕО, Tá ag teacht le Treoracha an CE, Respectá directivele CE

2006/42/EC Machine Directive

2006/95/EC Low Voltage Directive

2004/108/EC EMC Directive

## Standards Used:

Gebruikte maatstaven, Normes respectées, Verwendete Normen, Norme applicate, Anvendte standarder, Πρότυπα που χρησιμοποιήθηκαν, Normas utilizadas, Normas aplicadas, Sovelletavat standardit, Tillämpade standarder, Použité normy, Rakendatud standardid, Alkalmazott szabványok, Izmantotie standarti, Taikyti standartai, Uzyte normy, Standards Uzati, Uporabljeni standardi, Použité normy, Използвани стандарти, Caidheáin arna n-úsáid, Standarde utilizate

EN 12100, EN 60335-2-79, EN 55014-1, EN 55014-2, EN 61000-3-2, DIN EN 60335-2-79

## Notified Body for Directive

Aangemelde instantie voor richtlijn, Organisme notifié pour la directive, Benannte Stelle für diese Richtlinie, Ente certificatore della direttiva, Bemyndiget organ for direktiv, Διακοινωμένο όργανο Οδηγίας, Organismo notificado relativamente à directiva, Organismo notificado de la directiva, Direktiivin mukaisesti ilmoitettu tarkastuslaitos, Anmält organ för direktivet, Úředně oznámený orgán pro směrnici, Teavitatud asutus (direktiivi järgi), Az irányelvvvel kapcsolatban értesített testület, Pilnvarotā iestāde saskaņā ar direktīvu, Apie direktīvu Informuota institūcija, Ciało powiadomione dla Dyrektywy, Korp avzat bid-Direttiva, Priglašeni organ za direktivo, Notifikovaný orgán pre smernicu, Нотифициран орган за Директива, Comhlacht ar tugadh fógra dó, Organism notificat în conformitate cu directiva

--	--	--	--

## Approved By:

Goedgekeurd door, Approuvé par, Genehmigt von, Approvato da, Godkendt af, Έγκριση από, Aprobado por, Aprobado por, Hyväksynyt, Intygas av, Schwäilit, Kinnitanud, Jóváhagyta, Apstiprināts, Patvirtino, Zatwierdzone przez, Approvat minn, Odobril, Schválené, Одобрено от, Faofa ag, Aprobat de

  
Hans van Cranenbroek

Manufacturing, Engineering and Warehousing Manager

10 JANUARY 2011


















Manufactured By:  
GRACO INC.  
88 - 11<sup>th</sup> Avenue N.E.  
Minneapolis, MN 55413  
USA

Authorized Representative:  
GRACO N.V.  
Slakweidestraat 31  
3630 Maasmechelen  
BELGIUM

**199382**

**A**

## 技術データ

		AquaMax 2330E	AquaMax 2335E
	V/Ph/Hz	230/1/50	400/3/50
	A	16	10
	kW	3.3	4.2
<b>I</b>	A	15	7.6
		IP X5	IP X5
	bar/MPa	160/16	160/16
	bar/MPa	200/20	200/20
	l/h	560	700
	l/h	620	760
<b>Cleaning Impact</b>	kg/Force	3.0	3.6
		0350	0475
	°C	50	50
	bar / MPa	10/1	10/1
	mm	450 x 380 x 1040	450 x 380 x 1040
	kg	40.4	40.4
 <b>EN 60704-1</b>	dB(A)	74.6	75
 <b>L<sub>WA</sub></b>	dB(A)	87.9	90
<b>Vibration ISO 5349</b>	m/s <sup>2</sup>	< 2.5	< 2.5
<b>Recoil forces</b>	N	28	35
	l	0.225	0.225
 <b>TYPE</b>		Agip Rotra 80W-90	

## Graco Standard Warranty

Graco warrants all equipment referenced in this document which is manufactured by Graco and bearing its name to be free from defects in material and workmanship on the date of sale to the original purchaser for use. With the exception of any special, extended, or limited warranty published by Graco, Graco will, for a period of twelve months from the date of sale, repair or replace any part of the equipment determined by Graco to be defective. This warranty applies only when the equipment is installed, operated and maintained in accordance with Graco's written recommendations.

This warranty does not cover, and Graco shall not be liable for general wear and tear, or any malfunction, damage or wear caused by faulty installation, misapplication, abrasion, corrosion, inadequate or improper maintenance, negligence, accident, tampering, or substitution of non-Graco component parts. Nor shall Graco be liable for malfunction, damage or wear caused by the incompatibility of Graco equipment with structures, accessories, equipment or materials not supplied by Graco, or the improper design, manufacture, installation, operation or maintenance of structures, accessories, equipment or materials not supplied by Graco.

This warranty is conditioned upon the prepaid return of the equipment claimed to be defective to an authorized Graco distributor for verification of the claimed defect. If the claimed defect is verified, Graco will repair or replace free of charge any defective parts. The equipment will be returned to the original purchaser transportation prepaid. If inspection of the equipment does not disclose any defect in material or workmanship, repairs will be made at a reasonable charge, which charges may include the costs of parts, labor, and transportation.

THIS WARRANTY IS EXCLUSIVE, AND IS IN LIEU OF ANY OTHER WARRANTIES, EXPRESS OR IMPLIED, INCLUDING BUT NOT LIMITED TO WARRANTY OF MERCHANTABILITY OR WARRANTY OF FITNESS FOR A PARTICULAR PURPOSE.

Graco's sole obligation and buyer's sole remedy for any breach of warranty shall be as set forth above. The buyer agrees that no other remedy (including, but not limited to, incidental or consequential damages for lost profits, lost sales, injury to person or property, or any other incidental or consequential loss) shall be available. Any action for breach of warranty must be brought within two (2) years of the date of sale.

GRACO MAKES NO WARRANTY, AND DISCLAIMS ALL IMPLIED WARRANTIES OF MERCHANTABILITY AND FITNESS FOR A PARTICULAR PURPOSE, IN CONNECTION WITH ACCESSORIES, EQUIPMENT, MATERIALS OR COMPONENTS SOLD BUT NOT MANUFACTURED BY GRACO.

These items sold, but not manufactured by Graco (such as electric motors, switches, hose, etc.), are subject to the warranty, if any, of their manufacturer. Graco will provide purchaser with reasonable assistance in making any claim for breach of these warranties.

In no event will Graco be liable for indirect, incidental, special or consequential damages resulting from Graco supplying equipment hereunder, or the furnishing, performance, or use of any products or other goods sold hereto, whether due to a breach of contract, breach of warranty, the negligence of Graco, or otherwise.

Graco reserves the right to make changes at any time without notice.  
これは指示説明書原本の和訳です。This manual contains Japanese. MM 3A1490

Graco Headquarters: Minneapolis  
International Offices: Belgium, China, Japan, Korea  
GRACO INC. P.O. BOX 1441 MINNEAPOLIS, MN 55440-1441  
[www.graco.com](http://www.graco.com)

